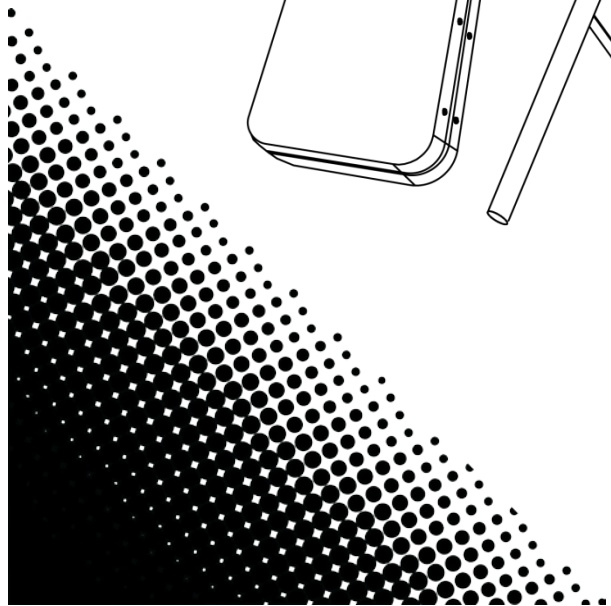
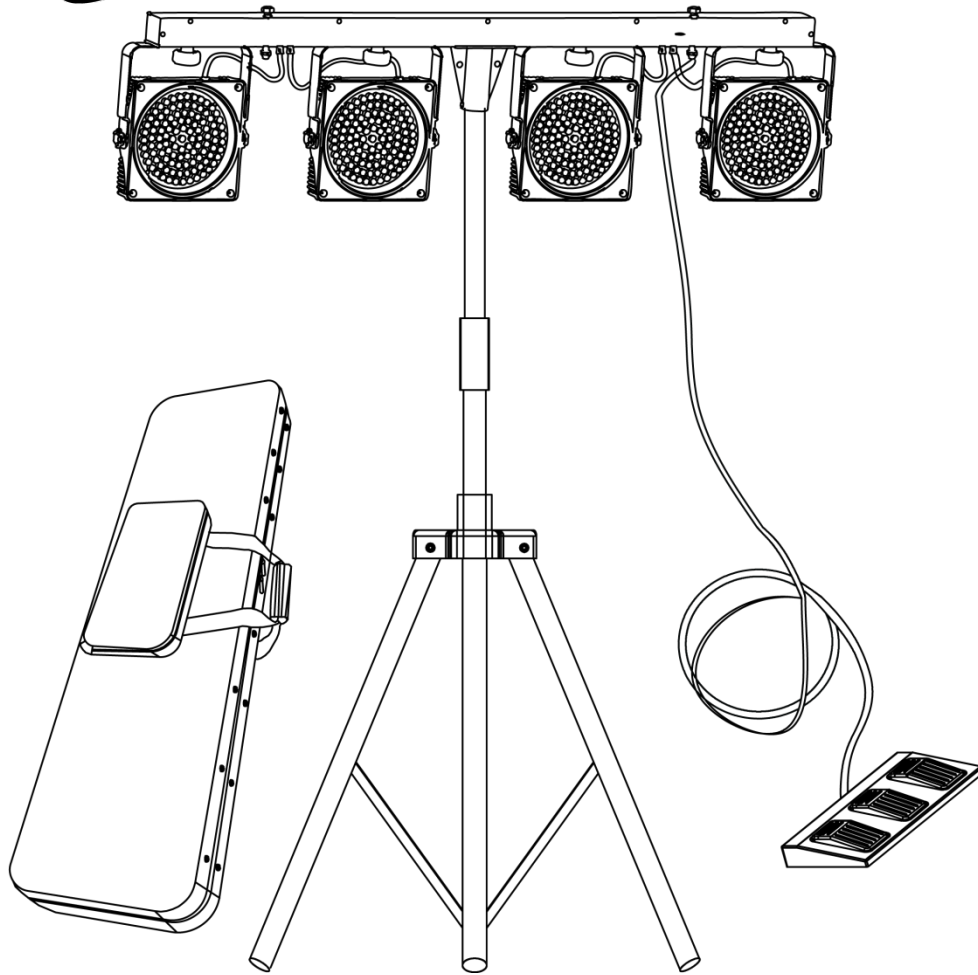


4 BAR™

User Manual



CHAUVET[®]**3**
It's
Green Thinking.

TABLE OF CONTENTS

1. Before You Begin	3
What Is Included.....	3
Unpacking Instructions	3
Claims	3
Text Conventions	3
Symbols.....	3
Disclaimer.....	3
Product at a Glance.....	4
Safety Notes	4
2. Introduction	5
Overview.....	5
Dimensions	5
3. Setup	6
AC Power	6
Fuse Replacement	6
Mounting.....	7
Orientation	7
Rigging	7
4. Operation	8
Control Panel Operation.....	8
Menu Map.....	8
DMX Configuration	8
Starting Address	8
DMX Channel Modes, Assignments, and Values	9
15CH	9
3-CH.....	9
Standalone	10
Configuration	10
Sound-Active Mode	10
Automatic Mode.....	10
Master/Slave Mode.....	10
Footswitch Operation.....	11
5. Technical Information	12
Product Maintenance	12
6. Technical Specifications	13
Returns	14
Contact Us	14

1. BEFORE YOU BEGIN

What Is Included

- 4BAR™
- Carrying Case
- Power Cord
- Tripod
- Tripod Carrying Case
- Footswitch
- Warranty Card
- Quick Reference Guide

Unpacking Instructions

Carefully unpack the product immediately and check the container to make sure all the parts are in the package and are in good condition.

Claims




If the box or the contents (the product and included accessories) appear damaged from shipping, or show signs of mishandling, notify the carrier immediately, not Chauvet. Failure to report damage to the carrier immediately may invalidate your claim. In addition, keep the box and contents for inspection.

For other issues, such as missing components or parts, damage not related to shipping, or concealed damage, file a claim with Chauvet within 7 days of delivery.

Text Conventions

Convention	Meaning
1–512	A range of values
50/60	A set of values of which only one can be chosen
Settings	A menu option not to be modified
Menu > Settings	A sequence of menu options to be followed
<ENTER>	A key to be pressed on the product's control panel
ON	A value to be entered or selected

Symbols

Symbol	Meaning
	Critical installation, configuration, or operation information. Not following these instructions may make the product not work, cause damage to the product, or cause harm to the operator.
	Important installation or configuration information. The product may not function correctly if this information is not used.
	Useful information.

Disclaimer

The information and specifications contained in this User Manual are subject to change without notice. Chauvet assumes no responsibility or liability for any errors or omissions, and reserves the right to revise or recreate this manual at any time. Download the latest version from www.chauvetlighting.com.

© Copyright 2014 Chauvet. All rights reserved.

Electronically published by Chauvet in the United States of America.

Author	Date	Editor	Date
M. Trouard	08/27/14	A. Leon	11/4/14

Product at a Glance

Use on Dimmer	X	Auto Programs	P
Outdoor Use	X	Auto-ranging Power Supply	P
Sound Activated	P	Replaceable Fuse	P
DMX	P	User Serviceable	X
Master/Slave	P	Duty Cycle	X

Safety Notes

These notes include important information about mounting, usage, and maintenance; read before using the product.



- Always connect the product to a grounded circuit to avoid the risk of electrocution.
- Always disconnect the product from the power source before cleaning or replacing the fuse.
- Avoid direct eye exposure to the light source while the product is on.
- Make sure the power cord is not crimped or damaged.
- Never disconnect the product from power by pulling or tugging on the cord.
- If mounting the product overhead, always secure to a fastening device using a safety cable.
- Make sure there are no flammable materials close to the product when operating.
- Do not touch the product's housing when operating because it may be very hot.



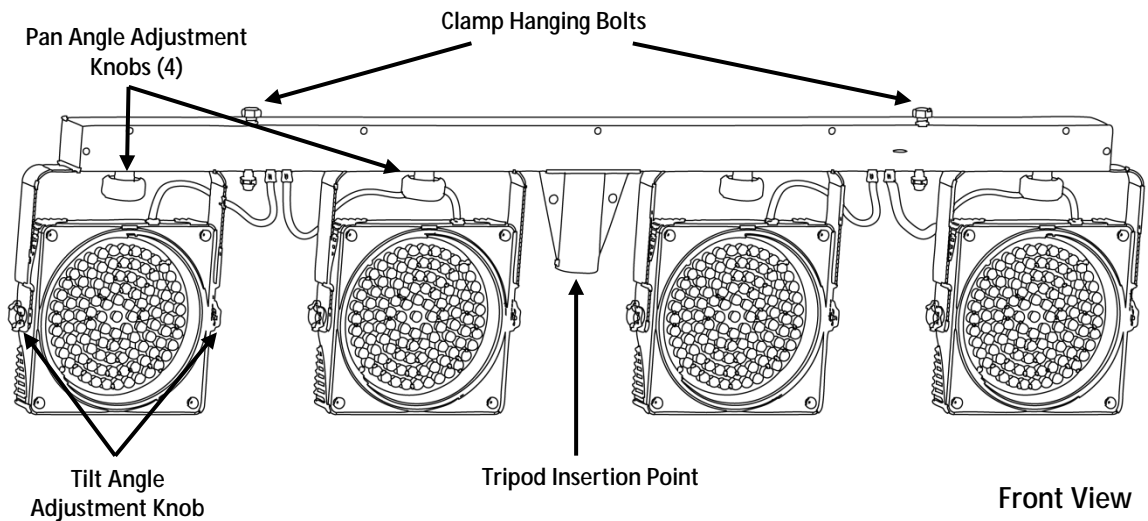
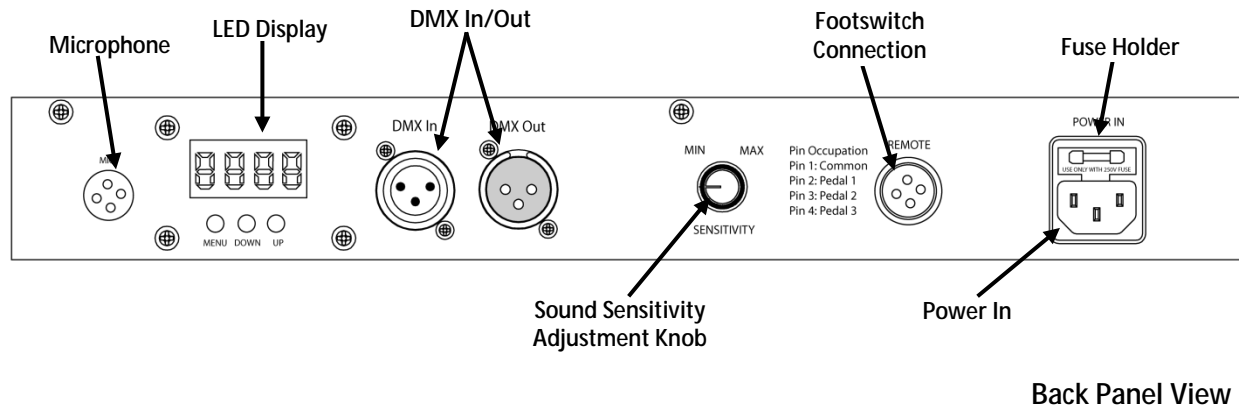
- Always make sure that the voltage of the outlet to which you are connecting the product is within the range stated on the decal or rear panel of the product.
- The product is for indoor use only! (IP20) To prevent risk of fire or shock, do not expose the product to rain or moisture.
- Always install the product in a location with adequate ventilation, at least 20 in (50 cm) from adjacent surfaces.
- Be sure that no ventilation slots on the product's housing are blocked.
- Never connect the product to a dimmer.
- Make sure to replace the fuse with another of the same type and rating.
- Never carry the product from the power cord or any moving part. Always carry by the bar or carrying case.
- The maximum ambient temperature (Ta) is 104 °F (40 °C). Do not operate the product at higher temperatures.
- In the event of a serious operating problem, stop using the product immediately.
- Never try to repair the product. Repairs carried out by unskilled people can lead to damage or malfunction. Contact the nearest authorized technical assistance center.
- This product is not intended for permanent installation.
- To eliminate unnecessary wear and improve its lifespan, during periods of non-use completely disconnect the product from power via breaker or by unplugging it.



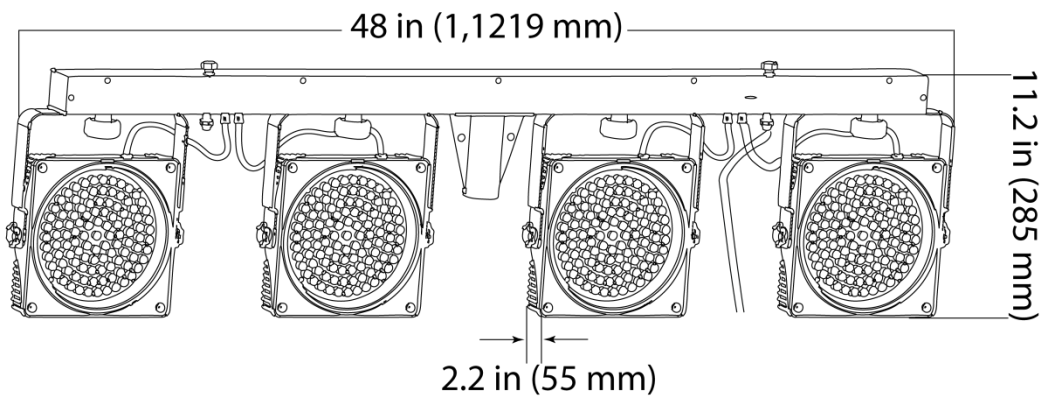
- Keep this User Manual for future use. If you sell the product to another user, be sure to give this document to the next owner.

2. INTRODUCTION

Overview



Dimensions



3. SETUP

AC Power The 4BAR™ has an auto-ranging power supply and it can work with an input voltage range of 100 to 240 VAC, 50/60 Hz.

To determine the product's power requirements (circuit breaker, power outlet, and wiring), use the current value listed on the label affixed to the product's back panel, or refer to the product's specifications chart. The listed current rating indicates the product's average current draw under normal conditions.



Always connect the product to a protected circuit (circuit breaker or fuse). Make sure the product has an appropriate electrical ground to avoid the risk of electrocution or fire.



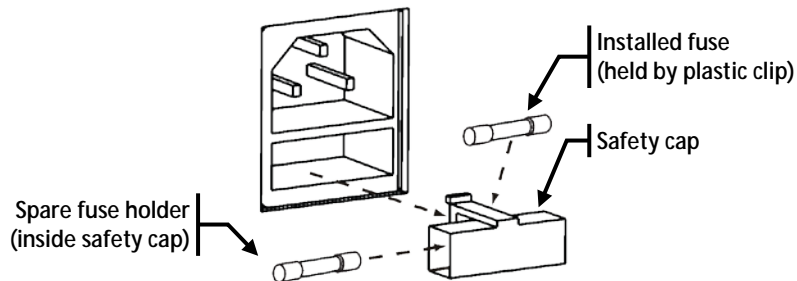
Never connect the product to a rheostat (variable resistor) or dimmer circuit, even if the rheostat or dimmer channel serves only as a 0~100% switch.

Fuse Replacement



Disconnect the product from power before replacing the fuse.

1. Disconnect the product from power.
2. Wedge the tip of a flat-head screwdriver into the slot of the fuse holder.
3. Pry the fuse holder out of the housing.
4. Remove the blown fuse from the holder.
5. Replace with a fuse of the exact same type and rating.
6. Insert the fuse holder back in place and reconnect power.



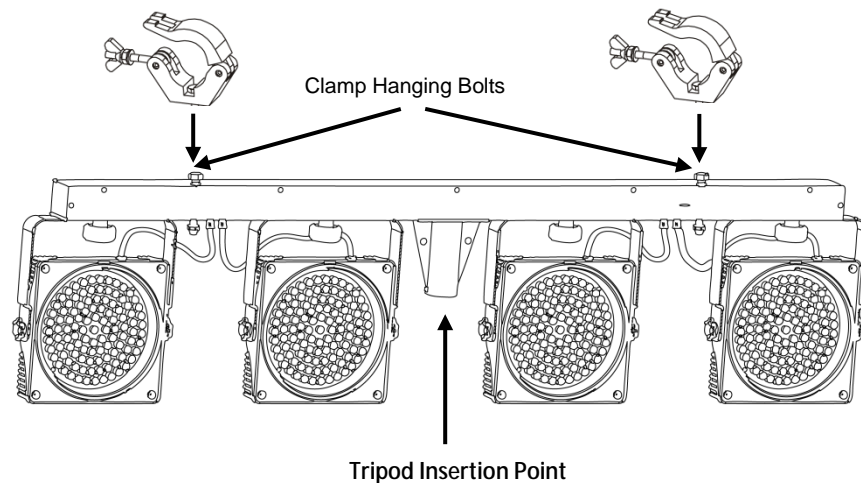
A spare fuse is not included; however, the safety cap has room for a spare.

Mounting Before mounting the product, read and follow the safety recommendations indicated in the [Safety Notes](#).

Orientation The 4BAR™ may be mounted in any position; however, make sure adequate ventilation is provided around the product.

- Rigging**
- Before deciding on a location, always make sure there is easy access to the product for maintenance and programming.
 - Make sure that the structure or surface onto which you are mounting the product can support the product's weight (see the [Technical Specifications](#)).
 - When mounting the product overhead, always use a safety cable. Mount the product securely to a rigging point, such as an elevated platform or a truss.
 - When rigging the product onto a truss, you should use mounting clamps of appropriate weight capacity.
 - The adjustment knobs allow for directional adjustment when aiming the product to the desired angle. Only loosen or tighten the bracket knobs manually. Using tools could damage the knobs.
 - When mounting to the tripod, be sure the stand is tightened properly and leveled.

Mounting Diagram



4. OPERATION

Control Panel Operation

To access the control panel functions, use the four buttons located underneath the display.

Button	Function
<MENU>	Selects an operation mode or to backs out of the current menu option
<UP>	Scrolls up the list of options or selects a higher value
<DOWN>	Scrolls down the list of options or selects a lower value

Menu Map

Mode	Programming Steps		Description
DMX Personalities	3-CH	d 1–d512	Sets DMX personality and starting address
	15CH		
Sound Active Mode	SND		Sets Sound Active mode
Automatic Mode	AUTO		Sets Auto Program
Auto Program Speed	S--	S 1–S100	Sets Auto Program speed

DMX Configuration

Set the product in DMX mode to control with a DMX controller.

1. Connect the product to a suitable power outlet.
2. Turn the product on.
3. Connect a DMX cable from the DMX output of the DMX controller to the DMX input socket on the product.

Starting Address

When selecting a starting DMX address, always consider the number of DMX channels the selected DMX mode uses. If you choose a starting address that is too high, you could restrict the access to some of the product's channels.

The 4BAR™ uses up to 15 DMX channels in single DMX mode, which defines the highest configurable address to **498**.

If unfamiliar with DMX or DIP switches, download the DMX Primer from www.chauvetlighting.com.

To select the starting address, do the following:

1. Press <MENU> repeatedly until **512**, **AUTO**, or **SND** shows on the display.
2. **Immediately** use <UP> or <DOWN> until **512** shows on the display (if it is not showing already).
3. **Wait 5 seconds** until **3-CH** or **15CH** shows on the display.
4. Press <MENU> until **A.***** shows on the display.
5. Use <UP> or <DOWN> to select the starting address.

DMX Channel Modes, Assignments, and Values

15CH	Channel	Function	Value	Setting
	1	Control/Operating Mode	000 ó 009	RGB color-mixing mode
			010 ó 029	Automatic 1
			030 ó 049	Automatic 2
			050 ó 069	Automatic 3
			070 ó 089	Automatic 4
			090 ó 109	Automatic 5
			110 ó 129	Automatic 6
			130 ó 149	Automatic 7
			150 ó 169	Automatic 8
			170 ó 189	Automatic 9
			190 ó 209	Automatic 10
			210 ó 229	Automatic 11
			230 ó 249	Automatic 12
	250 ó 255	Sound-active		
	2	Dimmer	000 ó 008	No function
			009 ó 255	Dimmer 1–100%
	3	Strobe	000	No function
			001 ó 255	Strobe (slow to fast)
	4	Red 1	000 ó 255	Red 1 (0–100%)
	5	Green 1	000 ó 255	Green 1 (0–100%)
	6	Blue 1	000 ó 255	Blue 1 (0–100%)
	7	Red 2	000 ó 255	Red 2 (0–100%)
	8	Green 2	000 ó 255	Green 2 (0–100%)
	9	Blue 2	000 ó 255	Blue 2 (0–100%)
	10	Red 3	000 ó 255	Red 3 (0–100%)
	11	Green 3	000 ó 255	Green 3 (0–100%)
	12	Blue 3	000 ó 255	Blue 3 (0–100%)
	13	Red 4	000 ó 255	Red 4 (0–100%)
	14	Green 4	000 ó 255	Green 4 (0–100%)
	15	Blue 4	000 ó 255	Blue 4 (0–100%)

3-CH	Channel	Function	Value	Setting
	1	Red	000 ó 255	0–100%
	2	Green	000 ó 255	0–100%
	3	Blue	000 ó 255	0–100%

Standalone Configuration

Set the product in one of the standalone modes to control without a DMX controller.

1. Connect the product to a suitable power outlet.
2. Turn the product on.



Never connect a product that is operating in any standalone mode (Sound-Active, Automatic, Master/Slave) to a DMX daisy chain connected to a DMX controller. Products in standalone mode may transmit DMX signals that could interfere with the DMX signals from the controller.

Sound-Active Mode

To enable the Sound-Active mode, do the following:

1. Press <MENU> repeatedly until **512**, **AUTO**, or **SND** shows on the display.
2. **Immediately** use <UP> or <DOWN> until **SND** shows on the display (if it is not showing already).
3. Wait 5 seconds.
4. Turn the music on and adjust the microphone sensitivity until the product begins to react to the sound of the music.



The product will only respond to low frequencies of music (bass and drums).

Automatic Mode

To enable the Automatic mode, follow the instructions below:

1. Press <MENU> repeatedly until **512**, **AUTO**, or **SND** shows on the display.
2. **Immediately** use <UP> or <DOWN> until **AUTO** shows on the display (if it is not showing already).
3. Wait 5 seconds.
4. Press <MENU> until **S.***** shows on the display.
5. Use <UP> or <DOWN> to adjust the auto program speed.

Master/Slave Mode

The Master/Slave mode allows a single 4BAR™ unit (the “master”) to control the actions of one or more 4BAR™ units (the “slaves”) without the need of a DMX controller. The master unit will be set to operate in either Automatic or Sound Active mode, while the slave units will be set to operate in Slave Mode. Once set and connected, the slave units will operate in unison with the master unit.

Configure the units as indicated below.

Slave units:

1. Press <MENU> repeatedly until **512**, **AUTO**, or **SND** shows on the display.
2. **Immediately** use <UP> or <DOWN> until **512** shows on the display (if it is not showing already).
3. **Wait 5 seconds** until **d.***** shows on the display.
4. Set the DMX address to 001.
5. Connect the DMX input of the first slave unit to the DMX output of the master unit.
6. Connect the DMX input of the subsequent slave units to the DMX output of the previous slave unit.
7. Finish setting and connecting all the slave units.

Master unit:

8. Set the master unit to operate in either Automatic or Sound mode.
 9. Make the master unit the first unit in the DMX daisy chain.
- **Configure all the slave units before connecting the master unit to the DMX daisy chain.**
 - **Never connect a DMX controller to a DMX string configured for Master/Slave operation because the controller may interfere with the signals from the master unit.**
 - **Do not connect more than 31 slave units to the master unit.**



The 4BAR™ is linkable with the 4BAR™ TRI.

Footswitch Operation

The included footswitch provides quick access to preset colors, color-change programs, and sound-activation through the 4BAR™ microphone.

To use the footswitch:

1. Power the product on.
2. Connect the footswitch to the 4BAR™ with the 4-pin connection cable with plug.
3. Press pedal #1 (Preset) to activate control. When working, all the LEDs will light white, which is the first function of pedal #1.
4. Use the chart below to activate the desired function.

To disconnect the footswitch:

1. Unplug the footswitch from the 4BAR™.
2. Unplug the power cable from the 4BAR™.
3. Power the 4BAR™ again to operate without the footswitch.

Pedal	Sub-option	Function
1 (Preset)	1 x press	White
	2 x press	Red
	3 x press	Green
	4 x press	Blue
	5 x press	Yellow
	6 x press	Magenta
	7 x press	Cyan
	8 x press	Color change every second in a continuous loop
	9 x press	Color change every 3 seconds in a continuous loop
2 (Sound)	N/A	Sound-activated



The 4BAR™ footswitch will work properly in any mode. No settings need to be modified before using the footswitch.

5. TECHNICAL INFORMATION

Product Maintenance

Dust build-up reduces light output performance and can cause overheating. This can lead to reduction of the light source's life and mechanical wear. To maintain optimum performance and minimize wear, clean the product at least twice a month. However, usage and environmental conditions contribute to increased cleaning frequency.

To clean the product, follow the instructions below:

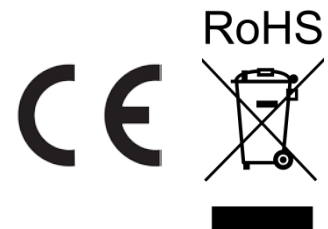
1. Unplug the product from power.
2. Wait until the product is at room temperature.
3. Use a vacuum (or dry compressed air) and a soft brush to remove dust collected on the external surface.
4. Clean all external optics and transparent surfaces with a mild soap solution, ammonia-free glass cleaner, or isopropyl alcohol.
5. Apply the solution directly to a soft, lint-free cotton cloth or a lens cleaning tissue.
6. Softly wipe any dirt or grime to the outside edges of the external optics or transparent surface.
7. Gently polish the external optics and transparent surfaces until they are free of haze and lint.
8. When cleaning units with one or more movable mirrors, you should keep the contact with the mirror's surface to a minimum to avoid scratching or damaging it.



Always dry the external optics and transparent surfaces carefully after cleaning them.

6. TECHNICAL SPECIFICATIONS

Dimensions and Weight	Length	Width	Height	Weight
	48 in (1,129 mm)	2.2 in (55 mm)	11.2 in (285 mm)	29 lb (11.2 kg)
	Stand Height			
	Adjustable: 59–91 in			
	Note: Dimensions in inches rounded to the nearest decimal digit.			
Power	Power Supply Type	Range	Voltage Selection	
	Switching (internal)	100 to 240 V, 50/60 Hz	Auto-ranging	
	Parameter	120 V, 60 Hz	230 V, 50 Hz	
	Consumption	48 W (0.4 A)	37 W (0.2 A)	
	Power I/O	U.S./Worldwide		
	Input/Output Connectors	IEC/Edison		
	Power Cord plug	Edison (U.S.)		
Light Source	Type	Power	Lifespan	
	LED (10 mm)	0.25 W	50,000 hours	
	Color	Quantity	Current	
	Red	144	20 mA	
	Green	144	20 mA	
	Blue	144	20 mA	
Photo Optic	Parameter	Value (per light)		
	Illuminance @ 1 m	980 lux		
	Beam angle	21°		
	Field angle	33°		
Thermal	Maximum External Temp.	Cooling System		
	104 °F (40 °C)	Convection		
DMX	I/O Connectors	Connector Type	Channel Range	
	3-pin XLR	Sockets	3 or 15	
Ordering	Product Name	Item Code	Item Number	
	4BAR™	03030047	4BAR	



To return a product or request support:

- In the U.S., contact Chauvet World Headquarters (see below).
- In the UK or Ireland, contact Chauvet Europe Ltd. (see below).
- In Mexico, contact Chauvet Mexico. (see below).
- In any other country, DO NOT contact Chauvet. Contact your distributor. See www.chauvetlighting.com for distributors outside the U.S., United Kingdom, or Ireland.

Returns Call the corresponding Chauvet Technical Support office and request a Return Merchandise Authorization (RMA) number before shipping the product. Be prepared to provide the model number, serial number, and a brief description of the cause for the return.

You must send the merchandise prepaid, in its original box, and with its original packing and accessories. Chauvet will not issue call tags.

Clearly label the package with the RMA number. Chauvet will refuse any product returned without an RMA number.



Write the RMA number on a properly affixed label. DO NOT write the RMA number directly on the box.

Before sending the product, clearly write the following information on a piece of paper and place it inside the box:

- Your name
- Your address
- Your phone number
- The RMA number
- A brief description of the problem

Be sure to pack the product properly. Any shipping damage resulting from inadequate packaging will be your responsibility. FedEx packing or double-boxing are recommended.



Chauvet reserves the right to use its own discretion to repair or replace returned product(s).

CONTACT US

WORLD HEADQUARTERS - Chauvet

General Information

Address: 5200 NW 108th Avenue
Sunrise, FL 33351
Voice: (954) 577-4455
Fax: (954) 929-5560
Toll free: (800) 762-1084

Technical Support

Voice: (954) 577-4455 (Press 4)
Fax: (954) 756-8015
Email: tech@chauvetlighting.com

World Wide Web www.chauvetlighting.com

UNITED KINGDOM AND IRELAND - Chauvet Europe Ltd.

General Information

Address: Unit 1C
Brookhill Road Industrial Estate
Pinxton, Nottingham, UK
NG16 6NT
Voice: +44 (0)1773 511115
Fax: +44 (0)1773 511110

Technical Support

Email: uktech@chauvetlighting.com

World Wide Web www.chauvetlighting.co.uk

MEXICO - Chauvet Mexico

General Information

Address: Av. Santa Ana 30
Parque Industrial Lerma
Lerma, Mexico C.P. 52000
Voice: +52 (728) 285-5000

Technical Support

Email: servicio@chauvet.com.mx

World Wide Web www.chauvet.com.mx

Outside the U.S., United Kingdom, Ireland, or Mexico, contact the dealer of record and follow their instructions to request support or to return a product. Visit the Chauvet website for contact information.