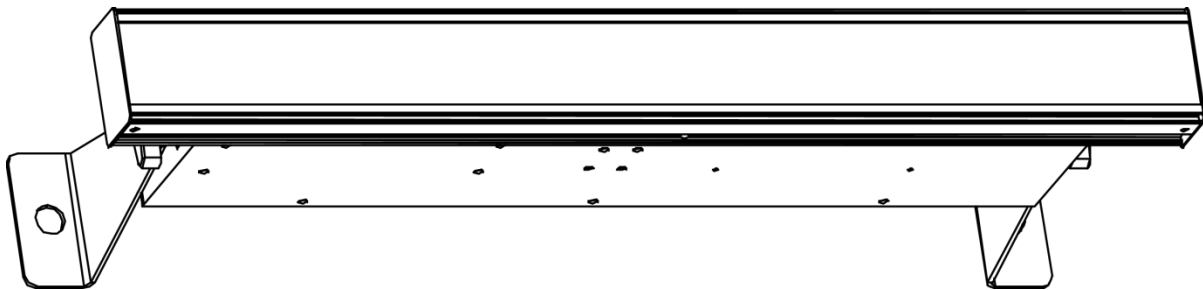


COLO^Rstrip™ Mini FX

User Manual

English
Español
Français



LASER LIGHT
AVOID DIRECT EYE EXPOSURE
CLASS 3R Laser PRODUCT
CLASSIFIED PER EN/IEC 60825-1:2007
Complies with FDA performance standards for
laser products except for deviations pursuant
to Laser Notice No. 50, dated June 24, 2007.

CHAUVET®

TABLE OF CONTENTS

1. Before You Begin	5
What Is Included.....	5
Unpacking Instructions	5
Claims	5
Manual Conventions.....	5
Symbols.....	5
Disclaimer.....	5
Safety Notes.....	6
Non-Interlocked Housing Warning.....	7
Laser Safety Notes.....	7
Laser Safety Label Reproduction	8
Laser Exposure Warning.....	9
Laser Emission Data	9
2. Introduction	10
Overview.....	10
Dimensions.....	11
3. Setup	12
AC Power	12
Mounting.....	12
Orientation	12
Rigging	12
Proper Usage	13
4. Operation	14
Control Panel Operation.....	14
Menu Map.....	14
Configuration (DMX).....	14
DMX Personalities and Starting Address.....	14
DMX Channel Modes, Assignments, and Values	15
7-CH	15
7-CH (cont.).....	16
4-CH.....	16
Configuration (Standalone)	17
ACt Automatic Operation.....	17
Master/Slave Mode.....	18
Infrared Remote.....	18
5. Technical Information	19
Product Maintenance	19
6. Technical Specifications.....	20
Returns	21
Contact Us.....	21

1. Antes de Empezar	22
Qué va Incluido.....	22
Instrucciones de Desembalaje	22
Reclamaciones.....	22
Convenciones del Manual	22
Símbolos.....	22
Exención de Responsabilidad	22
Notas de Seguridad.....	23
Advertencia sobre Carcasa No Cerrada.....	24
Notas de Seguridad sobre Láser.....	24
Reproducción de la Etiqueta de Seguridad del Láser.....	26
Advertencia sobre Exposición al Láser.....	27
Datos de Emisión Láser	27
2. Introducción	28
Vista General.....	28
Dimensiones.....	29
3. Instalación	30
Corriente Alterna	30
Montaje.....	31
Orientación.....	31
Colocación.....	31
Uso Adecuado.....	32
4. Funcionamiento.....	33
Manejo del Panel de Control.....	33
Mapa de Menú.....	33
Configuración (DMX).....	33
Personalidades DMX y Dirección de Inicio.....	33
Modos de Canal, Asignaciones y Valores DMX.....	34
7-C.....	34
7-C (cont.).....	35
4-C.....	35
Configuración (Independiente).....	36
ACt Funcionamiento Automático	36
Modo Maestro/Esclavo	37
Mando a distancia por infrarrojos	37
5. Información Técnica	38
Mantenimiento del Producto.....	38
6. Especificaciones Técnicas	39
Devoluciones	40
Contacto	40

1. Avant de Commencer	41
Ce Qui est Compris	41
Instructions Relatives au Déballage	41
Réclamations.....	41
Conventions de ce Manuel.....	41
Symboles.....	41
Clause de Non-Responsabilité.....	41
Consignes de Sécurité	42
Avertissement : Boîtier non Verrouillable.....	44
Consignes de Sécurité Relatives au Laser.....	44
Reproductions des Etiquettes en Matière de Sécurité des Appareils Laser	46
Avertissement d'Exposition au Laser.....	47
Données d'Emission Laser.....	47
2. Introduction	48
Aperçu	48
Dimensions.....	49
3. Configuration.....	50
Alimentation CA.....	50
Installation	51
Orientation	51
Suspension.....	51
Utilisation Adéquate.....	52
4. Fonctionnement	53
Fonctionnement du Panneau de Commande	53
Tableau du Menu	53
Configuration (DMX).....	53
Adresse de Départ et Personnalités DMX	53
Valeurs, Assignations et Modes de Canaux DMX	54
7 Canaux	54
7 Canaux (suite).....	55
4 Canaux	55
Configuration (autonome).....	56
Fonctionnement ACt Automatique.....	56
Mode Maître/Esclave.....	57
Télécommande Infrarouge	57
5. Informations Techniques.....	58
Entretien de l'Appareil	58
6. Spécificités Techniques.....	59
Renvois.....	60
Nous Contacter.....	60

1. BEFORE YOU BEGIN

What Is Included

- COLORstrip™ Mini FX
- Power cord
- Hanging bracket with mounting hardware
- IR remote
- Warranty card
- User manual

Unpacking Instructions

Carefully unpack the product immediately and check the box to make sure all the parts are in the package and are in good condition.

Claims




If the box or the contents (the product and included accessories) appear damaged from shipping or show signs of mishandling, notify the carrier immediately, not CHAUVET®. Failure to do so in a timely manner may invalidate your claim with the carrier. In addition, keep the container and all the packing material for inspection.

For other issues, such as missing components or parts, damage not related to shipping, or concealed damage, file a claim with CHAUVET® within 7 days of delivery.

Manual Conventions

Convention	Meaning
1—512	A range of values
50/60	A set of values of which only one can be chosen
Settings	A menu option not to be modified
Menu > Settings	A sequence of menu options to be followed
ENTER	A key to be pressed on the product's control panel
ON	A value to be entered or selected

Symbols

Symbol	Meaning
	Critical installation, configuration, or operation information. Ignoring this information can cause the product to not work, damage it, or cause harm to the operator.
	Important installation or configuration information. The product may not function correctly if this information is not used.
	Useful information.

Disclaimer

The information and specifications contained in this document are subject to change without notice. CHAUVET® assumes no responsibility or liability for any errors or omissions that may appear in this manual, and reserves the right to revise or recreate this manual at any time. Download the latest version from www.chauvetlighting.com.

© Copyright 2013 CHAUVET®. All rights reserved.

Printed in P.R.C.

Electronically published by CHAUVET® in the United States of America.

Author	Date	Editor	Date
A. Leon	08/20/13	T. Yeago	08/20/13

Safety Notes

The Safety Notes include important laser system safety information. Read and understand all instructions before powering on the laser for the first time. Knowing these safety instructions is crucial to avoiding laser eye injury and breaking the law. Keep this user manual in a safe place for future reference.



STOP AND READ ALL LASER SAFETY DATA



- **Lasers can be hazardous and have unique safety considerations. Permanent eye injury and blindness is possible if lasers are used incorrectly. Pay close attention to each safety REMARK and WARNING statement in this user manual. Read all instructions carefully BEFORE operating this device.**
- Always connect the product to a grounded circuit to avoid the risk of electrocution.
- Always disconnect the product from the power source before cleaning.
- Avoid direct eye exposure to the light source while the product is on.
- Make sure the power cord is not crimped or damaged.
- Never disconnect the product from power by pulling or tugging on the cord.
- If mounting the product overhead, always secure to a fastening device using a safety cable.
- Make sure there are no flammable materials close to the product when operating.
- Do not touch the product's housing when operating because it may be very hot.
- Do not remove the bracket at any time. This product is intended to be used with its bracket.



- **This product is not intended for permanent installation.**
- Always make sure that the voltage of the outlet to which you are connecting the product is within the range stated on the decal or rear panel of the product.
- The product is for indoor use only! (IP20) To prevent risk of fire or shock, do not expose the product to rain or moisture.
- Always install the product in a location with adequate ventilation, at least 20 in (50 cm) from adjacent surfaces.
- Be sure that no ventilation slots on the product's housing are blocked.
- Never connect the product to a dimmer.
- Always use the mounting bracket to carry the product.
- Do not switch the product on/off in short intervals. This will reduce the laser diode life.
- Do not shake this product. Avoid brute force when mounting or operating this product.
- ALWAYS use a safety cable when mounting the product overhead.
- The maximum ambient temperature (Ta) is 104 °F (40 °C). Do not operate the product at higher temperatures.
- In the event of a serious operating problem, stop using the product immediately.
- Never try to repair the product. Repairs carried out by unskilled people can lead to damage or malfunction. Contact the nearest authorized technical assistance center.



- Avoid direct eye contact with laser light. Never intentionally expose your eyes or others to direct laser light.
- This laser product can potentially cause instant eye injury or blindness if laser light directly strikes the eyes.
- It is illegal and dangerous to shine this laser into audience areas, where the audience or other personnel could get direct laser beams or bright reflections into their eyes.
- It is a U.S. federal offense to shine any laser at aircraft.
- Use of controls, adjustments, or procedures other than those specified in this user manual may result in hazardous radiation exposure.
- Do not attempt any repairs. Repairs and servicing must be carried out by a certified technician. **Unauthorized modifications are forbidden for safety reasons!**



- Keep this user manual for future consultation. If transferring ownership of the product to another user, be sure this document is kept with the laser.

Non-Interlocked Housing Warning

- This unit contains high power laser devices internally.
- Do not open the laser housing, due to potential exposure to unsafe levels of laser radiation.
- The laser power levels, accessible if the unit is opened, can cause instant blindness, skin burns, and fires.

Laser Safety Notes



STOP AND READ ALL THE LASER SAFETY NOTES BELOW

Laser light is different from any other light sources. The light from this product can potentially cause eye injury if the product is not set up and used properly. Laser light is thousands of times more concentrated than light from any other kind of light source. This concentration of light can cause instant eye injuries, primarily by burning the retina (the light-sensitive portion at the back of the eye). Even if you cannot feel “heat” from a laser beam, it can still potentially injure or blind you or your audience. Even very small amounts of laser light are potentially hazardous—even at long distances. Laser eye injuries can happen faster than you can blink.

DO NOT assume that because laser entertainment products split the laser into hundreds of beams and that the laser beam is scanned out in high speed, that an individual laser beam is safe for eye exposure. This laser product uses dozens of milliwatts of laser power (Class 3B levels internally) before it splits into multiple beams (Class 3R levels). Many of the individual beams are potentially hazardous to the eyes.

DO NOT assume that because the laser light is moving, it is safe. Laser light is never without risk, nor do the laser beams always move. Since eye injuries can occur instantly, it is critical to prevent the possibility of ANY direct eye exposure. According to laser safety regulations, it is not legal to aim Class 3R lasers into areas where people can get exposed. This is true even if the laser is aimed below people’s faces, such as on a dance floor.


- Do not operate the laser without first reading and understanding all safety and technical data in this manual.
- **ALWAYS** set up and install all laser effects so that all lasers light is at least 3 meters (9.8 feet) above the floor on which people can stand. See the [Proper Usage](#) section of this manual.
- After setup, and prior to public use, test laser to ensure proper function. Do not use if any defect is detected.
- **DO NOT** use laser if the laser appears to be emitting only one or two beams, rather than dozens/hundreds, as this could indicate damage to the diffraction grating optic, and could allow emission of laser levels higher than Class 3R.
- **DO NOT** point lasers at people or animals.
- Never look into the laser aperture or laser beams.
- **DO NOT** point lasers into areas in which people can potentially get exposed, such as uncontrolled balconies, etc.
- **DO NOT** point lasers at highly reflective surfaces such as windows, mirrors, and shiny metal. Even laser reflections can be hazardous.
- Never point a laser at aircraft; this is a U.S. federal offense.
- Never point un-terminated laser beams into the sky.
- Do not expose the output optic (aperture) to cleaning chemicals.
- Do not use the laser if the housing is damaged, open, or if the optics appear damaged in any way.
- Never open the laser housing. The high laser power levels inside of the protective housing can start fires or burn skin, and will cause instant eye injury.
- Never leave this product running unattended.
- The operation of a Class 3R laser show is only allowed if the show is controlled by a skilled and well-trained operator, familiar with the data included in this manual.
- The legal requirements for using laser entertainment products vary from country to country. The user is responsible for the legal requirements in the location/country of use.



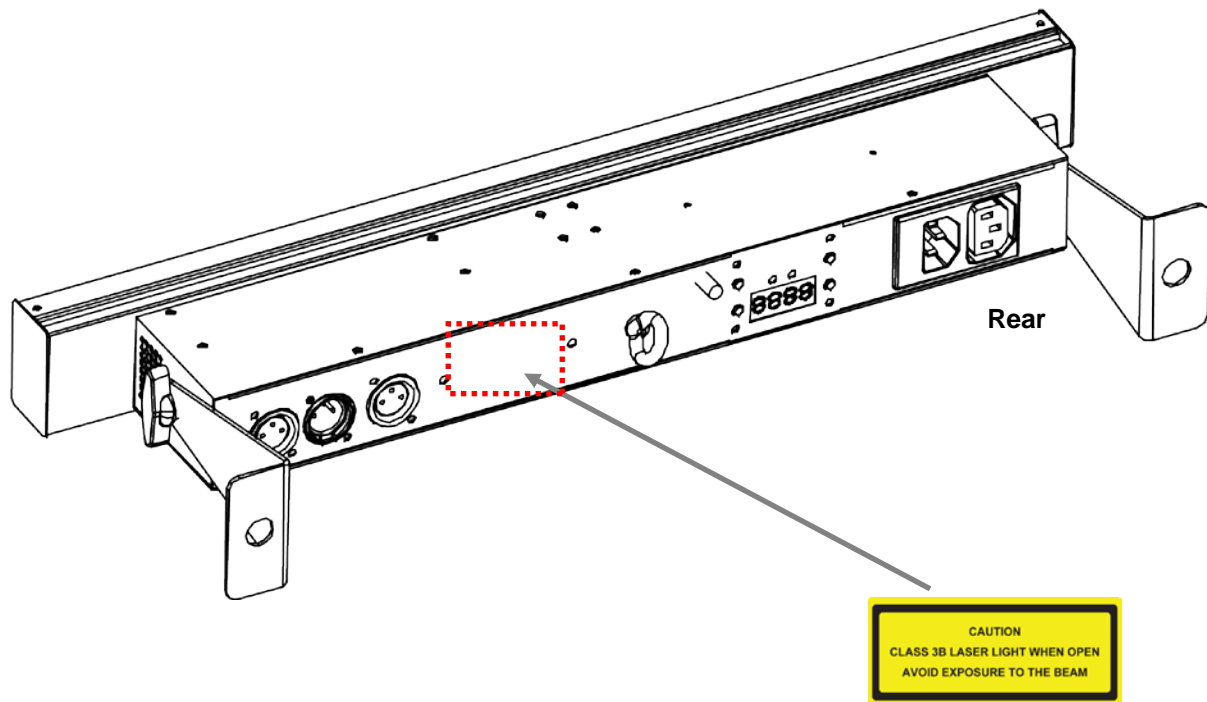
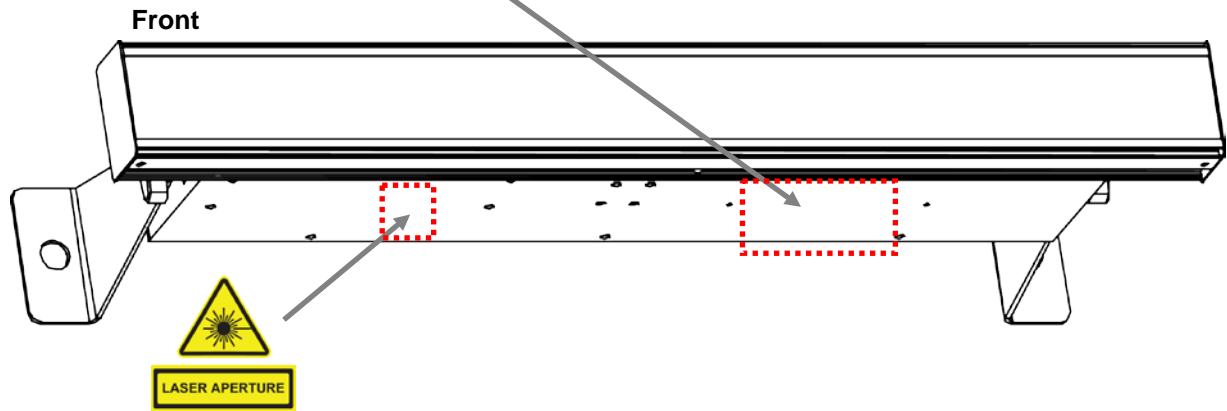
CAUTION! DO NOT operate this device in ways not specified in this user manual. Failure to follow the instructions will void the warranty, may damage the product, or injure the user or the audience.

CAUTION! This product cannot be discarded with household waste. Contact your local waste management service for electronic disposal regulations in your area.

Laser Safety Label Reproduction

 <p>LASER LIGHT AVOID DIRECT EYE EXPOSURE CLASS 3R LASER PRODUCT 50 mW, 532 nm / 100 mW, 650 nm Classified per EN/IEC 60825-1:2007</p>		
<p>CHAUVET WORLDWIDE HEADQUARTERS SUNRISE, FLORIDA USA</p>		
<p>CHAUVET Value - Innovation - Performance</p>		
<p>RoHS</p>		
<p>MODEL: COLORstrip™ Mini FX ITEM CODE: 10030762 FUSE: T 1 A, 250 V MAX. OUTPUT CURRENT: 8 A (20 units @ 120 V) (38 units @ 230 V) LIGHT SOURCE: LED, LASER ORIGIN: MADE IN P.R.C.</p>	<p>THIS APPLIANCE MUST BE GROUNDED USE ONLY FUSE OF SAME TYPE & RATING NOT FOR HOUSEHOLD USE IMPROPRE A L'USAGE DOMESTIQUE DRY LOCATIONS EMPLACEMENTS SECS DISCONNECT POWER BEFORE SERVICING</p>	
<p>USA/CANADA Power: AC 100-125 V, 60 Hz 0.4 A, 28 W</p>	<p>WORLDWIDE Power: AC 100-240 V, 50 Hz 0.2 A, 26 W</p>	

**CAUTION - CLASS 3B LASER
 RADIATION WHEN OPEN.
 AVOID EXPOSURE TO
 BEAM**





**Laser
Exposure
Warning**

LASER LIGHT AVOID DIRECT EYE EXPOSURE

Further guidelines and safety programs for safe use of lasers can be found in the ANSI Z136.1 Standard "For Safe Use of Lasers", available from the Laser Institute of America: www.laserinstitute.org. Many local governments, corporations, agencies, military, and others, require all lasers to be used under the guidelines of ANSI Z136.1. Laser Display guidance can be obtained via the International Laser Display Association: www.laserist.org.

Laser Emission Data

Laser Classification	Class 3R
Green Laser Medium	DPSS Nd:YVO4, 532 nm/50 mW
Red Laser Medium	LD GaAlAs, 650 nm/100 mW
Beam Diameter	<5mm at aperture
Pulse Data	All pulses < 4 Hz (>0.25 sec)
Divergence (each beam)	<2 mrad
Divergence (total light)	<160 degrees
Laser Power of Each Beam from Aperture*	<5 mW

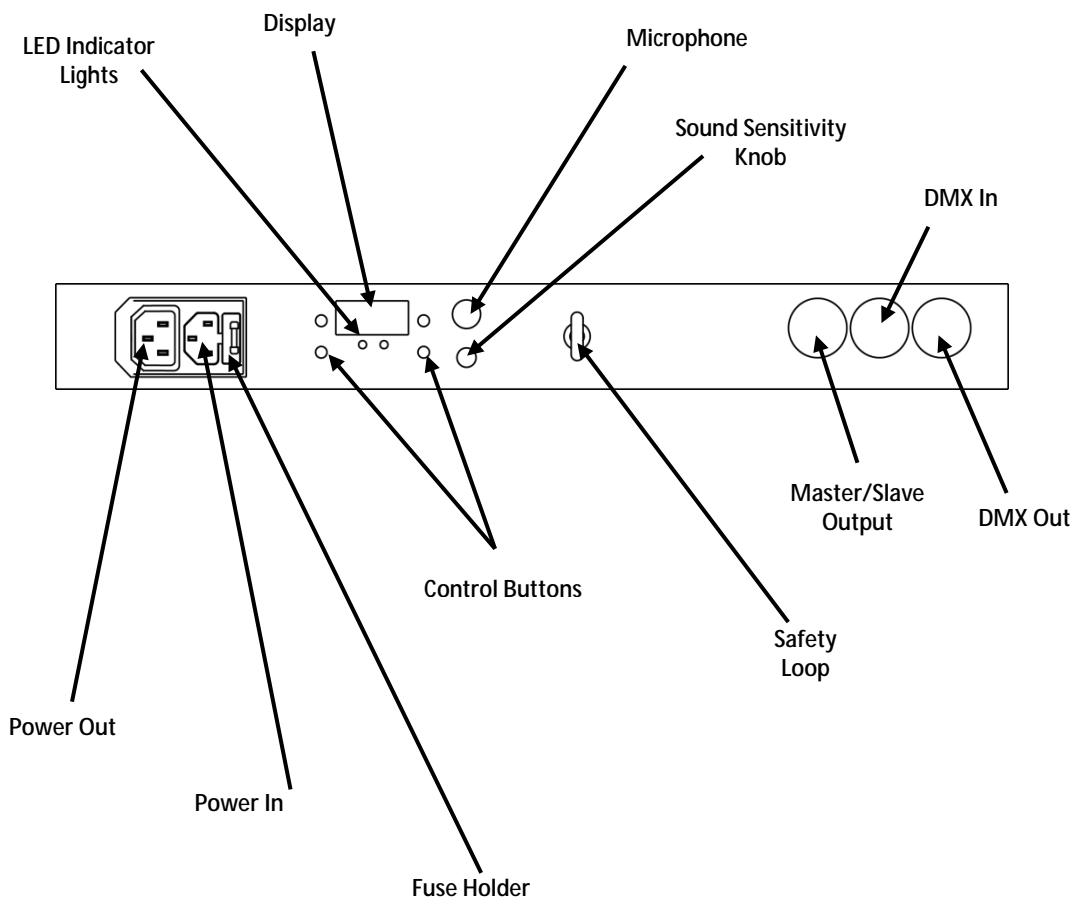
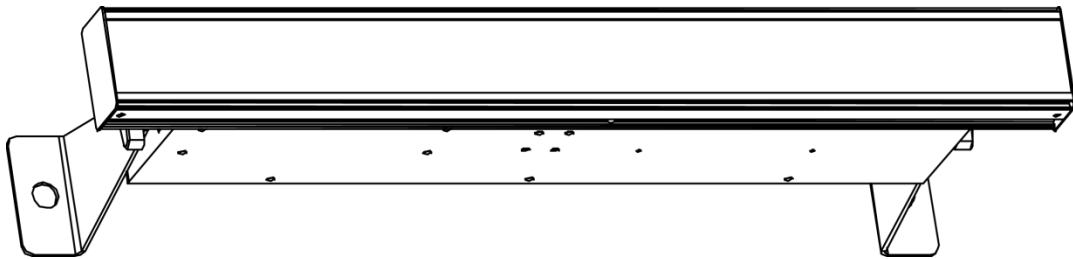
**As measured under IEC measurement conditions for classification.*

**Laser
Compliance
Statement**

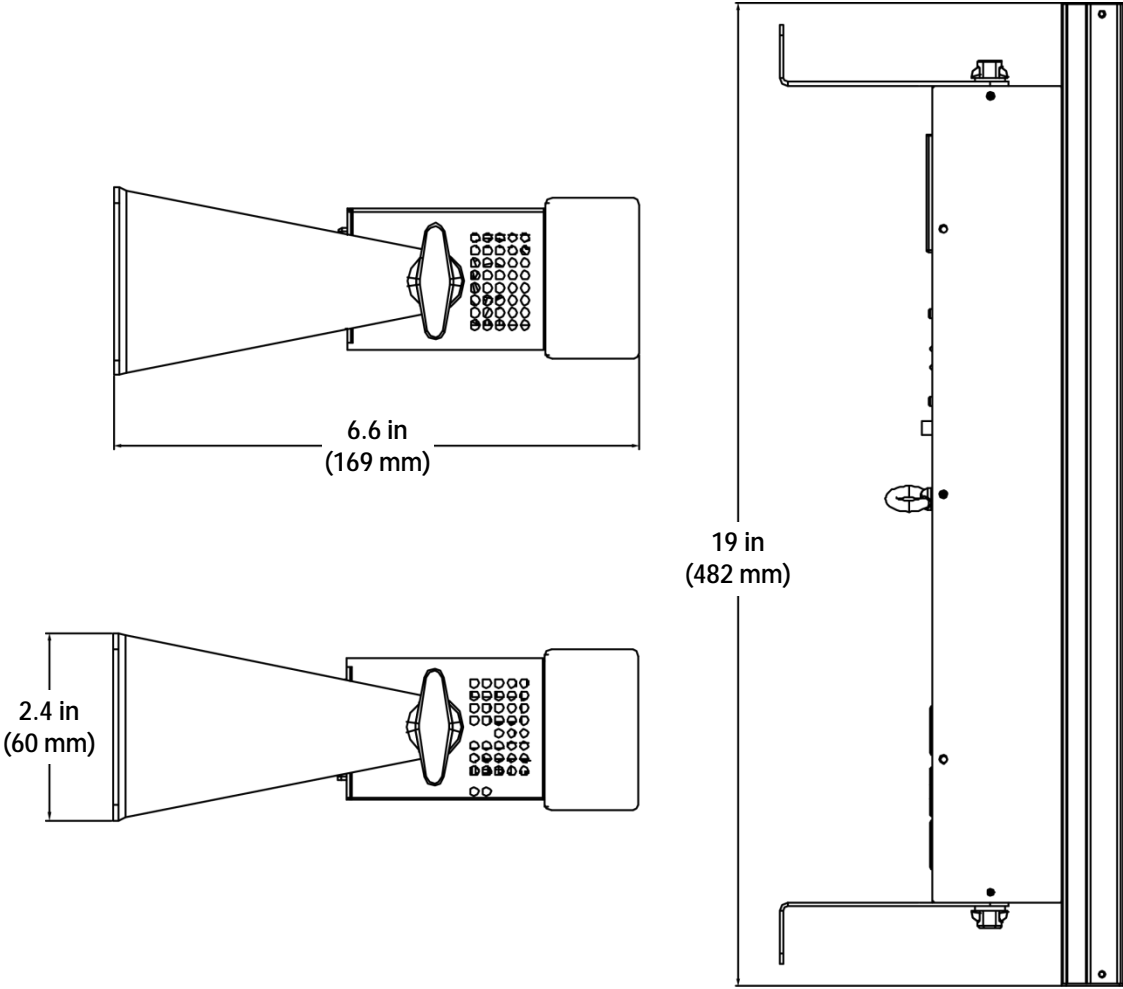
This laser product complies with EN/IEC 60825-1 Ed 2, 2007-03, and U.S. FDA/CDRH FLPPS via the terms of Laser Notice No. 50 dated June 24, 2007. This laser device is classified 3R. (Class 3R is the international equivalent of U.S. Class IIIa.) No maintenance is required to keep this product in compliance with laser performance standards.

2. INTRODUCTION

Overview



Dimensions



3. SETUP

AC Power The COLORstrip™ Mini FX has an external auto-ranging power supply and it can work with an input voltage range of 100 to 240 VAC, 50/60 Hz.

To determine the product's power requirements (circuit breaker, power outlet, and wiring), use the current value listed on the label affixed to the product's back panel, or refer to the [Technical Specifications](#). The listed current rating indicates the product's average current draw under normal conditions.



Always connect the product to a protected circuit (circuit breaker or fuse). Make sure the product has an appropriate electrical ground to avoid the risk of electrocution or fire.

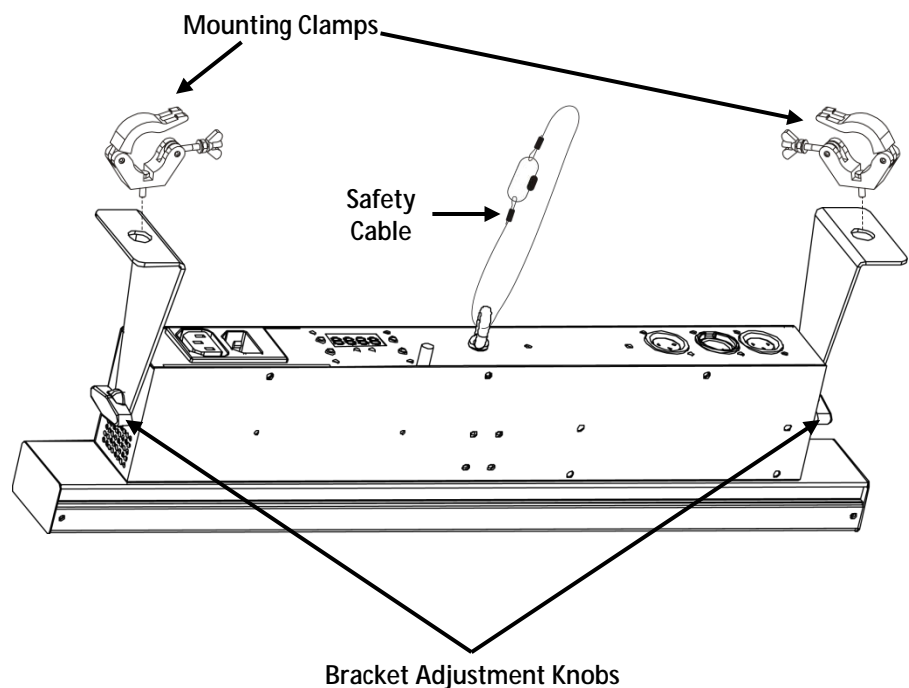


Never connect the product to a rheostat (variable resistor) or dimmer circuit, even if the rheostat or dimmer channel serves only as a 0 to 100% switch.

Mounting Before mounting the product, read and follow the safety recommendations indicated in the [Safety Notes](#).

Orientation The COLORstrip™ Mini FX must be mounted in a position that includes planning for safe laser usage. In addition, make sure adequate ventilation is provided around the product.

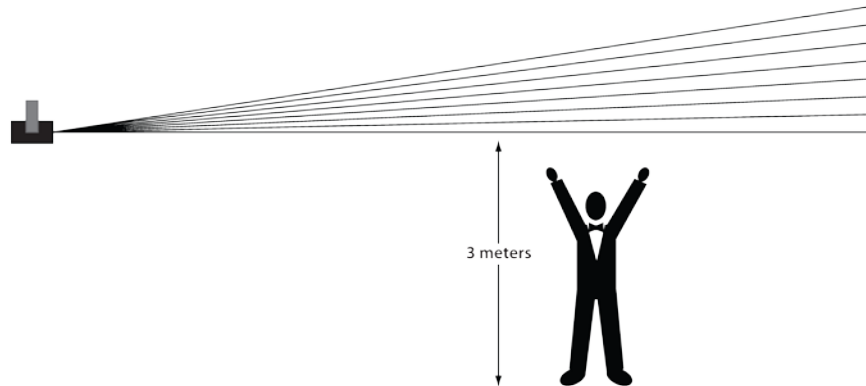
- Rigging**
- Before deciding on a location for the product, always make sure there is easy access to the product for maintenance and programming.
 - Make sure that the structure or surface onto which you are mounting the product can support the product's weight (see the [Technical Specifications](#)).
 - When mounting the product overhead, always use a safety cable. Mount the product securely to a rigging point, such as an elevated platform or a truss.
 - When rigging the product onto a truss, you should use a mounting clamp of appropriate weight capacity. The brackets have 13-mm holes, which are appropriate for this purpose.
 - The bracket adjustment knobs allow for directional adjustment when aiming the product to the desired angle. Only loosen or tighten the bracket knobs manually. Using tools could damage the knobs.
 - The included brackets also serve as surface supports. See [Proper Usage](#).



Proper Usage

This product is for overhead mounting only. For safety purposes, CHAUVET® recommends mounting lighting effect products on steady elevated platforms or sturdy overhead supports using suitable hanging clamps. In all cases, use safety cables. Obtain appropriate mounting hardware from your lighting vendor.

International laser safety regulations require that laser products must be operated in the fashion illustrated below, with a minimum of 3 meters (9.8 ft) of vertical separation between the floor and the lowest laser light. Additionally, 3 meters of horizontal separation is required between laser light and audience or other public spaces.



CAUTION! USE OF CONTROLS, ADJUSTMENTS, OR PROCEDURES OTHER THAN THOSE SPECIFIED IN THIS USER MANUAL MAY RESULT IN HAZARDOUS RADIATION EXPOSURE.

4. OPERATION

This product is not designed for continual use. Make sure there are regular breaks during operation to maximize the life of your laser. Always disconnect the COLORstrip™ Mini FX from power when not in use.

Control Panel Operation

To access the control panel functions, use the four buttons located underneath the display. When the product is on, the LED monitor on the rear panel will show the current operating mode (standalone or DMX). The product will retain the last saved settings when powered off.

Button	Function
MODE	Selects an operation mode or backs out of the current menu option
UP	Scrolls up the list of options or selects a higher value
DOWN	Scrolls down the list of options or selects a lower value
ENTER	Activates a menu option or a selected value

Menu Map

Main Level	Programming Levels		Description
ACt Automatic Operation (extra levels not available in all programs)	A000—A036	F000—F100	Flash speed (slow to fast)
		P000—P100	Run speed (slow to fast)
		L000—L006	Laser
		C000—C100	Blue (only available in A034)
		S000—S100	Laser strobe speed
		r001—r016	Laser pattern
Sys	SdAd	Ch-4	Sets DMX personality and starting address
		Ch-7	
	SAAd		Sets slave address
rEM			Remote control

Configuration (DMX)

Set the product in DMX mode to control with a DMX controller.

1. Connect the product to a suitable power outlet.
2. Connect a DMX cable from the DMX output of the DMX controller to the DMX input socket on the product.

DMX Personalities and Starting Address

When selecting a DMX starting address, always consider the number of DMX channels the selected DMX mode uses. If you choose a starting address that is too high, you could restrict the access to some of the product's channels.

The COLORstrip™ Mini FX uses up to 7 DMX channels in its 7-channel DMX personality, which defines the highest configurable address to **506**.

If you are not familiar with the DMX protocol, download the DMX Primer from www.chauvetlighting.com.

To select the starting address, do the following:

1. Press **MODE** repeatedly until **Sys** shows on the display.
2. Press **ENTER** and **SdAd** or **SAAd** shows on the display.
3. Use the **UP** or **DOWN** to navigate to the **SdAd** setting.
4. Press **ENTER** and **Ch-4** (4-channel personality) or **Ch-7** (7-channel personality) shows on the display.
5. Use **UP** or **DOWN** to select the desired DMX personality.
6. Press **ENTER**.
7. Use **UP** or **DOWN** to select the desired starting address.
8. Press **ENTER**.

DMX Channel Modes, Assignments, and Values

7-CH	Channel	Function	Value	CH.2	CH.3	CH.4			
1		Blackout	000 ó 006		Strobe Speed 000 ó 249				
		Red	007 ó 013						
		Green	014 ó 020						
		Blue	021 ó 027						
		Yellow	028 ó 034						
		Purple	035 ó 041						
		Cyan	042 ó 048						
		White	049 ó 055						
		Red (Laser)	056 ó 062						
		Green (Laser)	063 ó 069						
		Red + Green (Laser)	070 ó 076						
		Color Change 1	077 ó 083	Run Speed Auto 000 ó 127					
		Color Change 2	084 ó 090						
		Color Change 3	091 ó 097						
		Color Change 4	098 ó 104						
		Color Change 5	105 ó 111						
		Color Change 6	112 ó 118						
		Color Change 1 (Laser + LED)	119 ó 125						
		Color Change 2 (Laser + LED)	126 ó 132						
		Color Change 3 (Laser + LED)	133 ó 139						
		Color Change 4 (Laser + LED)	140 ó 146						
		Color Change 5 (Laser + LED)	147 ó 153						
		Color Chase 1	154 ó 160				Sound-Active 128 ó 255		
		Color Chase 2	161 ó 167						
		Color Chase 3	168 ó 174						
		Color Chase 4	175 ó 181						
		Color Chase 5	182 ó 188						
		Color Chase 6	189 ó 195						
		Color Chase 7	196 ó 202						
		Color Chase 1 (Laser + LED)	203 ó 209						
		Color Chase 2 (Laser + LED)	210 ó 216						
		Color Chase 3 (Laser + LED)	217 ó 223						
	Color Chase 4 (Laser + LED)	224 ó 230							
	Color Chase 5 (Laser + LED)	231 ó 237							
	RGB Color Mix	238 ó 244	Red 0—100%	Green 0—100%	Blue 0—100%				
	Color Fade	245 ó 251	Fade Speed 0—100%						
	Sound-Active (Auto Run)	252 ó 255							

7-CH (cont.)	Channel	Function	Value	Percent/Setting
5	Laser Color	000 ó 039	Blackout	
		040 ó 079	Red	
		080 ó 119	Green	
		120 ó 159	Red + Green	
		160 ó 199	Red on, Green strobe	
		200 ó 239	Green on, Red strobe	
		240 ó 255	Alternating strobe	
6	Laser Strobe	000 ó 004	No strobe	
		005 ó 249	Strobe, slow to fast	
		250 ó 255	Strobe, Sound-Active	
7	Laser Rotation and Pattern Selection	000 ó 019	Pattern 1	
		020 ó 039	Pattern 2	
		040 ó 059	Pattern 3	
		060 ó 079	Pattern 4	
		080 ó 099	Pattern 5	
		100 ó 119	Pattern 6	
		120 ó 255	Rotation, slow to fast	



While in 7-channel mode, channels 5—7 are operational when Channel 1 is between 238—251.

4-CH	Channel	Function	Value	Percent/Setting
1	Red	000 ó 255	0 to 100%	
		000 ó 255	0 to 100%	
		000 ó 255	0 to 100%	
4	Laser Color	000 ó 010	Blackout	
		011 ó 063	Auto programs with strobe	
		064 ó 127	Red laser	
		128 ó 191	Green laser	
		192 ó 255	Red + Green laser	

Configuration (Standalone)

Set the product in one of the standalone modes to control without a DMX controller.

- Connect the product to a suitable power outlet.



Never connect a product that is operating in any standalone mode (Static, Automatic, or Sound-Active) to a DMX string connected to a DMX controller. Products in standalone mode may transmit DMX signals that could interfere with the DMX signals from the controller.

ACt Automatic Operation

To enable ACt Automatic Operation, do the following:

1. Press **MODE** repeatedly until **ACt** shows on the display.
2. Press **ENTER**.
3. Use **UP** or **DOWN** to select the desired auto program **A000—A036**.
4. Press **ENTER**.

Certain programs will have additional functionality. To find these options, press **ENTER** after selecting an auto program. Then use **UP** or **DOWN** to choose the desired setting. Not every program will feature additional functions.

Function	Description
F000—F100	Flash speed (slow to fast)
P000—P100	Run speed (slow to fast)
L000—L006	Laser
C000—C100	Blue (only available in A034)
S000—S100	Laser strobe speed
r001—r016	Laser gobo

Master/Slave Mode

The Master/Slave mode allows a single COLORstrip™ Mini FX product (the “master”) to control the actions of one or more COLORstrip™ Mini FX products (the “slaves”) without the need of a DMX controller. The master will be set to operate in either Automatic or Sound-Active mode, while the slaves will be set to operate in Slave mode. Once set and connected, the slave units will operate in unison with the master unit.

Configure the units as indicated below.

Slave units:

1. Press **MODE** repeatedly until **SyS** appears on the control panel.
2. Press **ENTER** and **SdAd** or **SAAd** appears on the control panel.
3. Use **UP** or **DOWN** to select **SAAd**.
4. Press **ENTER**.
5. Connect the DMX input of the first slave unit to the DMX output of the master unit.
6. Connect the DMX input of the subsequent slave units to the DMX output of the previous slave unit.
7. Finish setting and connecting all the slave units.

Master unit:

1. Set the master unit to operate in either ACt Automatic Operation mode.
2. Make the master unit the first unit in the DMX daisy chain.



- Configure all the slave units before connecting the master unit to the DMX daisy chain.
- Never connect a DMX controller to a DMX string configured for Master/Slave operation because the controller may interfere with the signals from the master unit.
- Do not connect more than 31 slave units to the master unit.

Infrared Remote

The COLORstrip™ Mini FX is fully compatible with the included infrared remote.

To set up a COLORstrip™ Mini FX to operate with the IR remote, do the following:

1. Press **MODE** repeatedly until **rEM** shows on the display.
2. Press **ENTER**.

The following buttons are used with the COLORstrip™ Mini FX.

- **AUTO** activates Automatic Operation.
- **MUSIC** activates Sound-Active mode.
- **0** to **9** selects the Chase modes.

Press **A** then **PREV** or **NEXT** to select the LED color (**0—7**).

Press **B** then **PREV** or **NEXT** to select the laser color (**0—3**).

Press **C** then **PREV** or **NEXT** to select the laser gobo (**1—6**).

5. TECHNICAL INFORMATION

Product Maintenance

Dust build-up reduces light output performance and can cause overheating. To maintain optimum performance, clean the product at least twice a month. However, usage and environmental conditions contribute to increasing the cleaning frequency.

To clean the product, follow the instructions below:

1. Unplug the product from power.
2. Wait until the product is at room temperature.
3. Use a vacuum (or dry compressed air) and a soft brush to remove dust collected on the external surfaces and fan vents.
4. Clean the glass panel (laser aperture) with a mild solution of glass cleaner or isopropyl alcohol.
5. Apply the solution directly to a soft, lint-free cotton cloth or a lens cleaning tissue.
6. Softly wipe any dirt or grime to the outside edges of the glass.
7. Gently polish the glass surface until they are free of haze and lint.



Always dry the glass surfaces carefully after cleaning them.

6. TECHNICAL SPECIFICATIONS

Dimensions and Weight	Length	Width	Height	Weight
	19 in (482 mm)	2.4 in (60 mm)	6.6 in (169 mm)	4.2 lb (2 kg)
Note: Dimensions in inches rounded to the nearest decimal digit.				
Power	Input Voltage	Range	Voltage Selection	
	Switching (internal)	100 to 240 VAC, 50/60 Hz	Auto-ranging	
	Parameter	120 V, 60 Hz	230 V, 50 Hz	
	Consumption	28 W	26 W	
	Operating current	0.4 A	0.2 A	
Power I/O	Power I/O	US/Worldwide	UK/Europe	
	Power Cord plug	Edison (US)	Local plug	
Light Source	Type	Power	Wavelength	
	Laser (green)	50 mW	532 nm	
LED	Laser (red)	100 mW	650 nm	
	Type	Power	Lifespan	
	LED	0.25 W	100,000 hours	
	Color	Quantity	Current	
	Red	63	20 mA	
Photo Optic	Green	64	20 mA	
	Blue	63	20 mA	
	Parameter			
	Illuminance @ 2 m	444 lx		
Thermal	Coverage angle (laser)	100°		
	Field angle	38°		
	Beam angle	22°		
	Maximum External Temp.	Cooling System		
104 °F (40 °C)	Convection			
DMX	I/O Connectors	Connector Type	Channel Range	
	3-pin XLR	Sockets	4, 7	
Ordering	Product Name	Item Code	UPC Code	
	COLORstrip™ Mini FX	10030762	781462211103	



Returns

In case you need to get support or return a product:

- If you are located in the U.S., contact CHAUVET® World Headquarters.
- If you are located in the UK or Ireland, contact CHAUVET® Europe Ltd.
- If you are located in any other country, DO NOT contact CHAUVET®. Instead, contact your local distributor. See www.chauvetlighting.com for distributors outside the U.S., UK, or Ireland.



If you are located outside the U.S., UK, or Ireland, contact your distributor of record and follow their instructions on how to return CHAUVET® products to them. Visit our website for contact details.

Call the corresponding CHAUVET® Technical Support office and request a Return Merchandise Authorization (RMA) number before shipping the product. Be prepared to provide the model number, serial number, and a brief description of the cause for the return.

Send the merchandise prepaid, in its original box, and with its original packing and accessories. CHAUVET® will not issue call tags.

Clearly label the package with the RMA number. CHAUVET® will refuse any product returned without an RMA number.



Write the RMA number on a properly affixed label. Do not write the RMA number directly on the box.

Before sending the product, clearly write the following information on a piece of paper and place it inside the box:

- Your name
- Your address
- Your phone number
- RMA number
- A brief description of the problem

Be sure to pack the product properly. Any shipping damage resulting from inadequate packaging will be your responsibility. FedEx packing or double-boxing are recommended.



CHAUVET® reserves the right to use its own discretion to repair or replace returned product(s).

Contact Us

CHAUVET® World Headquarters General Information

Address: 5200 NW 108th Avenue
Sunrise, FL 33351
Voice: 954-577-4455
Fax: 954-929-5560
Toll free: 1-800-762-1084

Technical Support

Voice: 954-577-4455 (Press 4)
Fax: 954-756-8015
Email: tech@chauvetlighting.com

Website

www.chauvetlighting.com

CHAUVET® Europe Ltd. United Kingdom & Ireland General Information

Address: Unit 1C
Brookhill Road Industrial Estate
Pinxton, Nottingham, UK
NG16 6NT
Voice: +44 (0)1773 511115
Fax: +44 (0)1773 511110

Technical Support

Email: uktech@chauvetlighting.com

Website

www.chauvetlighting.co.uk

1. ANTES DE EMPEZAR

Qué va Incluido

- COLORstrip™ Mini FX
- Cable de alimentación
- Soporte para colgar con material de montaje
- Mando a distancia por IR
- Tarjeta de garantía
- Manual de usuario

Instrucciones de Desembalaje

Desembale el producto con cuidado inmediatamente y compruebe la caja para asegurarse de que todas las piezas están en el paquete y en buen estado.

Reclamaciones




Si la caja o el contenido (el producto y los accesorios incluidos) parecen dañados a causa del transporte o muestran signos de manipulación inadecuada, notifíquesele inmediatamente al transportista, y no a CHAUVET®. Si no lo hace oportunamente, puede quedar invalidada su reclamación al transportista. Además, guarde la caja y todo el material de embalaje para su inspección.

Para otras incidencias, como componentes o piezas que falten, daños no relacionados con el transporte o daños no evidentes, presente una reclamación a CHAUVET® en el plazo de 7 días de la entrega.

Convenciones del Manual

Convención	Significado
1—512	Un rango de valores
50/60	Un conjunto de valores de los cuales solo se puede escoger uno
Configuración	Una opción de menú que no se puede modificar
Menú > Configuración	Una secuencia de opciones de menú que ha de seguirse
ENTER	Una tecla que se tiene que pulsar en el panel de control del producto
ON	Un valor que se tiene que introducir o seleccionar

Símbolos

Símbolo	Significado
	Instalación, configuración o información sobre funcionamiento crítica. Hacer caso omiso de esta información puede hacer que el producto no funcione, que se averíe, o causar daños al usuario.
	Instalación o información de configuración importante. El producto puede no funcionar correctamente si esta información no se usa.
	Información útil.

Exención de Responsabilidad

La información y especificaciones contenidas en este documento están sujetas a cambio sin previo aviso. CHAUVET® no asume responsabilidad de ningún tipo por cualquier error u omisión que pueda aparecer en este manual, y se reserva el derecho a revisar o rehacer este manual en cualquier momento. Descargue la última versión de www.chauvetlighting.com.

© Copyright 2013 CHAUVET®. Todos los derechos reservados.

Impreso en la R. P. China.

Publicación en formato electrónico por CHAUVET® en EE.UU.

Notas de Seguridad

Las Notas de seguridad incluyen información importante sobre seguridad del sistema láser. Lea y comprenda todas las instrucciones antes de encender el láser por primera vez. Conocer las instrucciones de seguridad es crucial para evitar lesiones oculares y para no infringir la ley. Mantenga este manual de usuario en un lugar seguro para futuras consultas.



DETÉNGASE Y LEA TODOS LOS DATOS DE SEGURIDAD



- Los láseres pueden ser peligrosos y tienen consideraciones de seguridad particulares. Puede producirse lesión ocular permanente y ceguera si los láseres se usan incorrectamente. Ponga máxima atención a todos los **COMENTARIOS** y **ADVERTENCIAS** de seguridad de este manual de usuario. Lea atentamente todas las instrucciones **ANTES** de poner en funcionamiento este dispositivo.
- Conecte siempre el producto a un circuito con toma de tierra para evitar el riesgo de electrocución.
- Desconecte siempre el producto de la alimentación antes de limpiarlo.
- Evite la exposición directa de los ojos a la fuente de luz mientras es producto esté encendido.
- Asegúrese de que el cable de alimentación no está retorcido ni estropeado.
- Nunca desconecte este producto de la alimentación agarrando o tirando del cable.
- Si monta el producto en alto, asegure siempre a un dispositivo de seguridad usando cable de seguridad.
- Asegúrese de que no hay materiales inflamables cerca del producto cuando esté en funcionamiento.
- No toque la carcasa del producto cuando esté en funcionamiento, porque podría estar muy caliente.
- No quite el soporte en ningún momento. Este producto está concebido para usarse con este soporte.



- **Este producto no está concebido para una instalación permanente.**
- Asegúrese siempre de que la tensión del enchufe al que conecte el producto está en el rango establecido en el grabado o en el panel posterior del producto.
- ¡El producto es para uso en interiores solamente! (IP20) Para evitar riesgos de incendio o descarga, no exponga el producto a la lluvia o la humedad.
- Instale siempre el producto en una ubicación con ventilación adecuada, al menos a 20" (50 cm) de superficies adyacentes.
- Asegúrese de que ninguna ranura de ventilación en la carcasa del producto queda bloqueada.
- Nunca conecte el producto a un atenuador.
- Use siempre el soporte de montaje para trasladar el producto.
- No Apague/Encienda el producto a intervalos cortos. Esto acortará la vida del diodo láser.
- NO sacuda este producto. Evite usar la fuerza bruta cuando monte o maneje el producto.
- Use SIEMPRE un cable de seguridad cuando monte este producto en lo alto.
- La temperatura ambiente (Ta) máxima es de 40 °C (104 °F). No haga funcionar el producto a temperaturas más altas.
- En caso de un problema grave de funcionamiento, deje de usar el producto inmediatamente.
- Nunca intente reparar el producto. Las reparaciones llevadas a cabo por personal no cualificado pueden provocar averías o funcionamiento defectuoso. Póngase en contacto con el centro de asistencia técnica autorizado más cercano.



- Evite el contacto directo de los ojos con la luz del láser. Nunca exponga intencionadamente sus ojos o los de otras personas a la luz directa del láser.
- Este producto láser puede causar lesiones oculares al instante, o ceguera, si la luz del láser incide directamente en los ojos.
- Es ilegal y peligroso alumbrar con este láser zonas de espectadores en las que el público u otro personal pueda recibir rayos láser o reflejos de su brillo directamente en los ojos.
- En los EEUU es un delito federal dirigir cualquier láser hacia un avión.
- El uso de controles, ajustes o procedimientos distintos a los especificados en este manual de usuario pueden causar exposición peligrosa a la radiación.
- NO intente ninguna reparación. Las reparaciones y la asistencia deben ser llevadas a cabo por un técnico autorizado. **¡Las modificaciones no autorizadas están prohibidas por motivos de seguridad!**



- Guarde este manual de usuario para futuras consultas. Si este producto pasa a ser propiedad de otro usuario, asegúrese de que este documento acompaña al láser.

Advertencia sobre Carcasa No Cerrada

- Esta unidad contiene internamente dispositivos láser de alta potencia.
- No abra la carcasa del láser, debido a la potencial exposición a niveles no seguros de radiación láser.
- Los niveles de láser a los que se tiene acceso si se abre la unidad pueden causar ceguera instantánea, quemaduras en la piel e incendios.

Notas de Seguridad sobre Láser



DETÉNGASE Y LEA TODAS LAS NOTAS DE SEGURIDAD SOBRE EL LÁSER SIGUIENTES



La luz láser es diferente de cualquier otra fuente de luz. La luz de este producto puede causar lesión ocular si el producto no se instala y usa adecuadamente. La luz láser es miles de veces más concentrada que la luz de cualquier otro tipo de fuente. Esta concentración de luz puede causar lesiones instantáneas en el ojo, fundamentalmente por quemadura de la retina (la zona sensible a la luz en la parte posterior del ojo). Aunque usted no pueda sentir el “calor” de un haz de láser, este puede aún potencialmente lesionar o cegarle a usted o al público. Incluso cantidades de luz láser muy pequeñas son potencialmente peligrosas, incluso a largas distancias. Las lesiones oculares por láser pueden ocurrir más rápido de lo que se tarda en parpadear.

NO dé por supuesto que porque estos productos recreativos de láser dividan el láser en cientos de haces, y porque el haz de láser se lance a alta velocidad, es segura la exposición del ojo a un haz individual de láser. Este producto de láser utiliza docenas de milivatios de potencia láser (niveles clase 3B internamente) antes de dividirlo en múltiples haces (niveles clase 3R). Muchos de los haces individuales son potencialmente peligrosos para los ojos.

NO asuma que porque la luz láser está en movimiento, es segura. La luz láser no está nunca libre de riesgo, ni aunque el haz se mueva siempre. Puesto que las lesiones oculares pueden producirse instantáneamente, es crítico prevenir la posibilidad de CUALQUIER exposición directa al ojo. Según las disposiciones de seguridad láser, no es legal apuntar con láseres Clase 3a hacia áreas en las que las personas puedan quedar expuestas. Esto se aplica incluso si se apunta con el láser por debajo de las caras de la gente, por ejemplo hacia la pista de baile.






- No ponga en funcionamiento el láser sin primero leer y comprender todos los datos técnicos y de seguridad de este manual.
- Ubique e instale todos los efectos láser **SIEMPRE** de forma que toda la luz láser esté al menos a 3 m (9,8 pies) sobre el nivel del suelo en el que se encuentra la gente. Vea la sección [Uso Adecuado](#) de este manual.
- Después de la instalación, y antes de su uso público, pruebe el láser para asegurarse de que funciona adecuadamente. No lo use si detecta cualquier defecto.
- **NO** use el láser si este emite solo uno o dos haces en lugar de docenas/centenas, pues esto podría indicar una avería en la óptica de la rejilla de difracción, y podría permitir la emisión de niveles de láser por encima de la Clase 3R.
- **NO** apunte con láser a personas o animales.
- Nunca mire a la apertura del láser o a los haces de láser.
- **NO** apunte con el láser hacia áreas en las que las personas pudieran quedar expuestas, como balcones sin vigilancia, etc.
- **NO** apunte con láseres a superficies muy reflectantes como ventanas, espejos y metal pulido. Incluso los reflejos del láser pueden ser peligrosos.
- Nunca apunte con el láser a un avión, pues constituye delito según las leyes de EE.UU.
- Nunca apunte hacia el cielo con haces láser sueltos.
- No exponga la óptica de salida (apertura) a productos de limpieza químicos.
- No use el láser si la carcasa está averiada o abierta, o si la óptica parece dañada de cualquier modo.
- Nunca abra la carcasa del láser. Los altos niveles de potencia láser dentro de la carcasa protectora pueden originar incendios o quemaduras en la piel y causarán lesiones oculares al instante.
- Nunca deje este producto en funcionamiento sin vigilancia.
- El funcionamiento de un láser de espectáculo de Clase 3R solo se permite si el espectáculo es controlado por un operador experimentado y bien formado, familiarizado con los datos contenidos en este manual.
- Los requisitos legales para usar productos de láser recreativo varían de un país a otro. El usuario es responsable de los requisitos legales del lugar/país en que lo utilice.



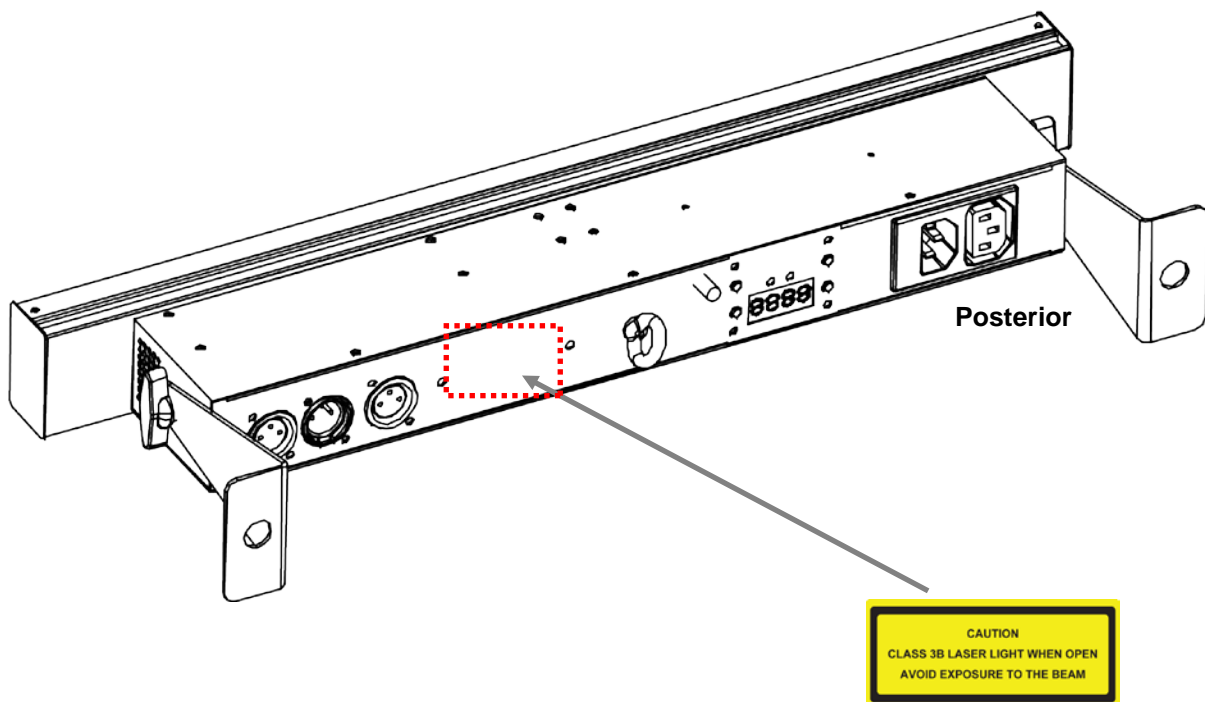
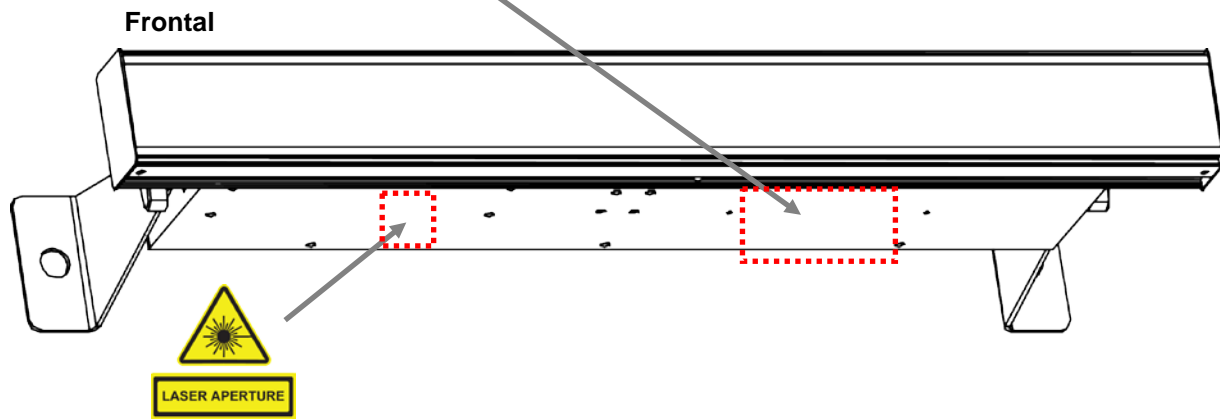
¡CUIDADO! NO ponga en funcionamiento este dispositivo en formas no especificadas en este manual de usuario. No seguir las instrucciones invalidará la garantía, podría dañar el producto o lesionar al usuario o al público.

¡CUIDADO! Este producto no se puede tirar con la basura doméstica. Póngase en contacto con el servicio de recogida para la eliminación de aparatos electrónicos de su zona.

Reproducción de la Etiqueta de Seguridad del Láser

 <p>LASER LIGHT AVOID DIRECT EYE EXPOSURE CLASS 3R LASER PRODUCT 50 mW, 532 nm / 100 mW, 650 nm Classified per EN/IEC 60825-1:2007</p>		
<p>CHAUVET WORLDWIDE HEADQUARTERS SUNRISE, FLORIDA USA</p>		
<p>CHAUVET Value - Innovation - Performance</p>	<p>RoHS  </p>	<p>THIS APPLIANCE MUST BE GROUNDED USE ONLY FUSE OF SAME TYPE & RATING NOT FOR HOUSEHOLD USE IMPROPRE A L'USAGE DOMESTIQUE DRY LOCATIONS EMPLACEMENTS SECS DISCONNECT POWER BEFORE SERVICING</p>
<p>MODEL: COLORstrip™ Mini FX ITEM CODE: 10030762 FUSE: T 1 A, 250 V MAX. OUTPUT CURRENT: 8 A (20 units @ 120 V) (38 units @ 230 V) LIGHT SOURCE: LED, LASER ORIGIN: MADE IN P.R.C.</p>	<p>USA/CANADA Power: AC 100-125 V, 60 Hz 0.4 A, 28 W</p>	<p>WORLDWIDE Power: AC 100-240 V, 50 Hz 0.2 A, 26 W</p>

**CAUTION - CLASS 3B LASER
 RADIATION WHEN OPEN.
 AVOID EXPOSURE TO
 BEAM**



**Advertencia
sobre
Exposición al
Láser**



LUZ LÁSER EVITE LA EXPOSICIÓN DIRECTA AL OJO

Se pueden encontrar más directrices y programas de seguridad para el uso seguro de láseres en la Normativa ANSI Z136.1 "Para uso seguro de Láseres", disponible en el Laser Institute of America: www.laserinstitute.org. Muchos gobiernos locales, corporaciones, agencias, ejército y otros requieren que todos los láseres se usen bajo las directrices de ANSI Z136.1. La guía Laser Display puede obtenerse de la International Laser Display Association: www.laserist.org.

Datos de Emisión Láser

Clasificación láser	Clase 3R
Láser Verde Medio	DPSS Nd:YVO4, 532 nm/50 mW
Láser Rojo Medio	LD GaAlAs, 650 nm/100 mW
Diámetro del haz	<5mm en la apertura
Datos de pulso	Todos los pulsos < 4 Hz (>0,25 s)
Divergencia (cada haz)	<2 mrad
Divergencia (luz total)	<160 grados
Potencia láser de cada haz en la apertura*	5 mW

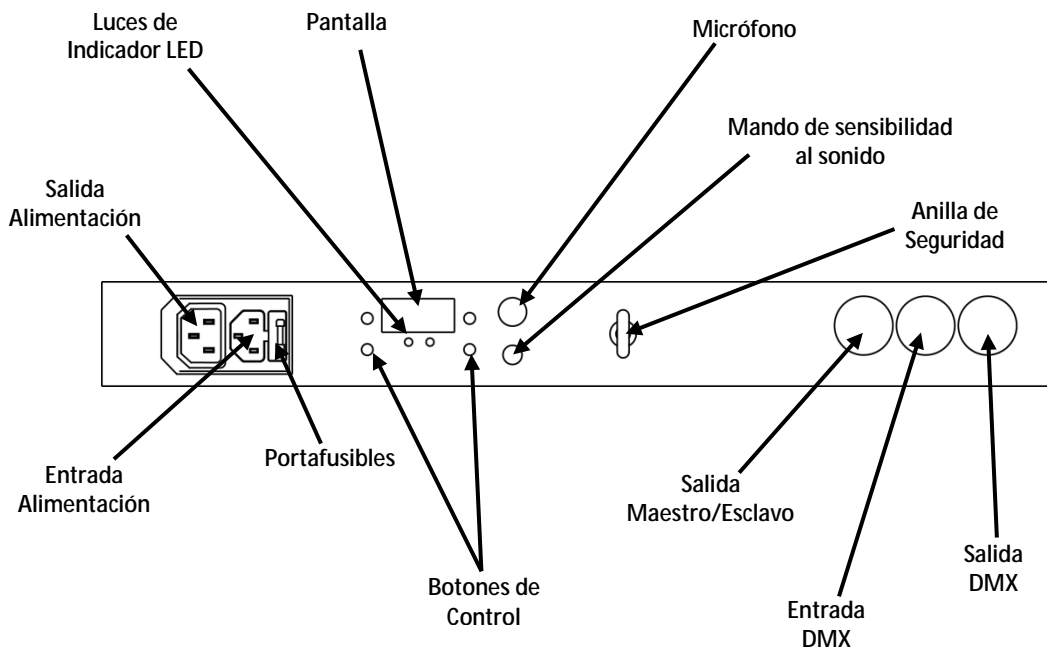
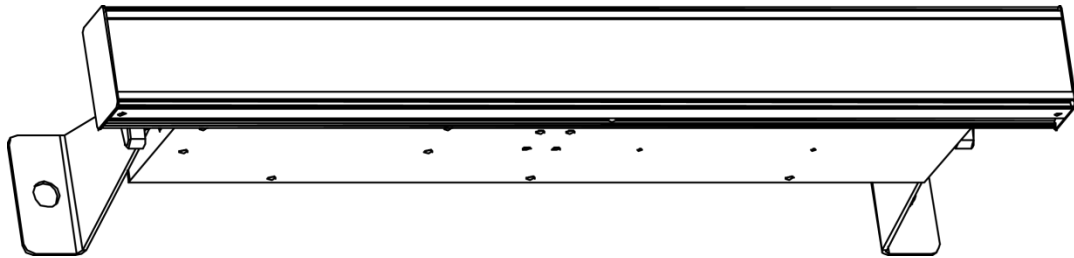
**Según medida bajo condiciones de medición IEC para clasificación.*

**Declaración
de
Conformidad
Láser**

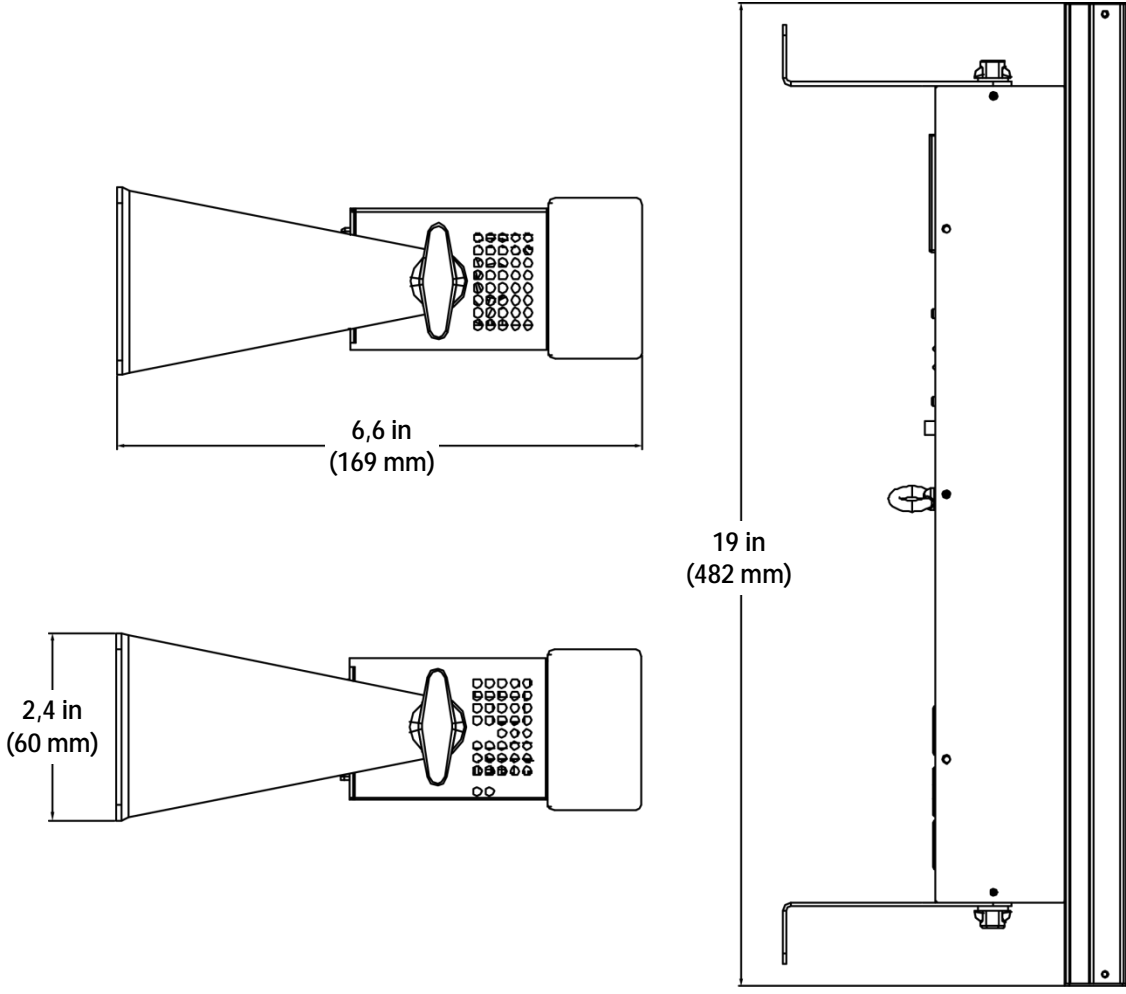
Este producto láser cumple las directivas EN/IEC 60825-1 Ed 2, 2007-03, y U.S. FDA/CDRH FLPPS mediante las condiciones de Laser Notice No. 50 de fecha 24 de junio de 2007. Este dispositivo láser está clasificado como 3R. (La Clase 3R es el equivalente internacional a la Clase IIIa de EEUU). No es necesario ningún mantenimiento para que este producto siga cumpliendo los estándares de rendimiento láser.

2. INTRODUCCIÓN

Vista General



Dimensiones



3. INSTALACIÓN

Corriente Alterna

El COLORstrip™ Mini FX tiene una fuente de alimentación con detección automática que puede funcionar con un rango de tensión de entrada de 100 a 240 VCA, 50/60 Hz.

Para determinar los requerimientos de alimentación (disyuntor, toma de alimentación y cableado), use el valor de tensión que aparece en la etiqueta fijada en el panel trasero del producto o consulte estas [Especificaciones Técnicas](#). La especificación de corriente listada indica el consumo de corriente promedio en condiciones normales.



**Conecte siempre el producto a un circuito protegido (disyuntor o fusible).
Asegúrese de que el producto tiene una toma de tierra adecuada para evitar el riesgo de electrocución o incendio.**

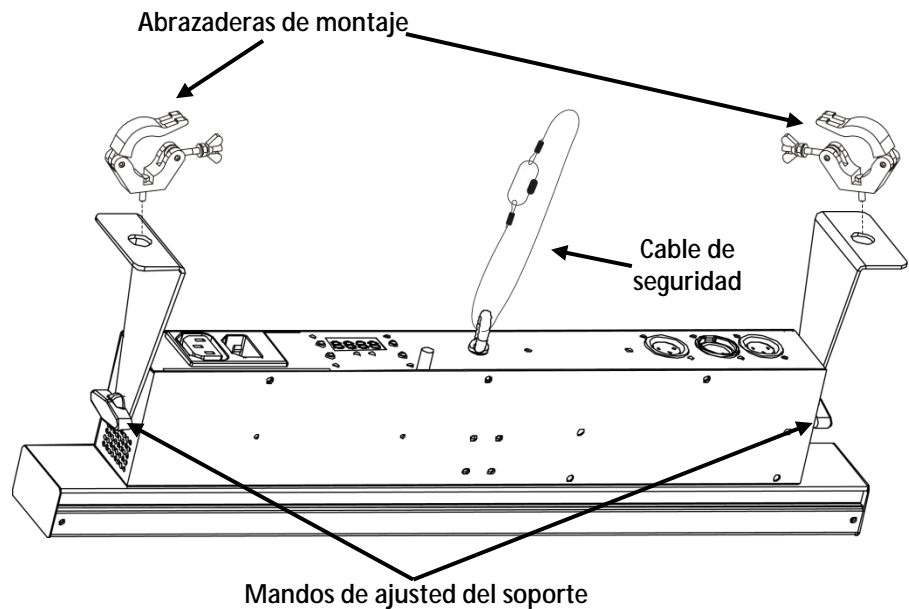


Nunca conecte el producto a un reostato (resistor variable) o circuito de atenuación, incluso si el canal del reostato o atenuador sirve solo como conmutador 0 a 100%.

Montaje Antes de montar el producto, lea y siga las recomendaciones de seguridad indicadas en las [Notas de Seguridad](#).

Orientación El COLORstrip™ Mini FX se debe montar en un posición preparada para uso seguro de láser. Además, asegúrese de proporcionar una ventilación adecuada alrededor del producto.

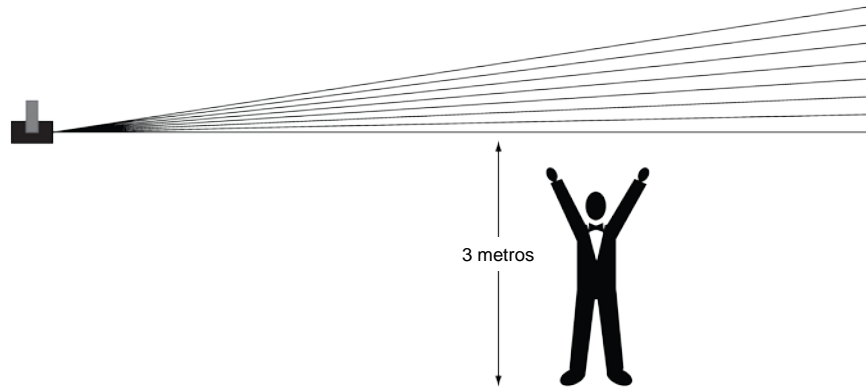
- Colocación**
- Antes de decidir una ubicación para el producto, asegúrese siempre de que hay fácil acceso al producto para su mantenimiento y programación.
 - Asegúrese de que la estructura o superficie sobre la que está montando el producto puede soportar su peso (vea las [Especificaciones Técnicas](#)).
 - Cuando monte este producto en alto, use siempre un cable de seguridad. Monte el producto con seguridad a un punto de anclaje, como una plataforma elevada o un truss.
 - Cuando cuelgue el producto de un truss, debe usar una abrazadera de montaje con la resistencia al peso adecuada. Los soportes tienen agujeros de 13 mm, que son adecuados para este propósito.
 - Los mandos de ajuste del soporte permiten el ajuste direccional para dirigir el producto hacia el ángulo deseado. Apriete y afloje los mandos de soporte únicamente con la mano. Usar herramientas podría estropear los mandos.
 - Los soportes incluidos también sirven como soportes sobre superficie. Vea [Uso Adecuado](#).



Uso Adecuado

Este producto es para montaje en alto solamente. Por seguridad, CHAUVET® recomienda montar los productos de efectos de iluminación sobre plataformas estables y elevadas, o en soportes en alto sólidos utilizando abrazaderas apropiadas para colgar. En todos los casos, utilice cables de seguridad. Obtenga el material de fijación apropiado de su proveedor de iluminación.

Las disposiciones internacionales de seguridad láser precisan que los productos de láser se manejen de la forma mostrada a continuación, con una separación vertical mínima de 3 metros (9,8 pies) entre el suelo y la luz láser más baja. Además, se requiere una separación horizontal de 3 metros entre la luz láser y los espectadores u otros espacios públicos.



¡CUIDADO! EL USO DE CONTROLES, AJUSTES O PROCEDIMIENTOS DISTINTOS A LOS QUE SE ESPECIFICAN EN ESTE MANUAL DE USUARIO PUEDEN CAUSAR EXPOSICIÓN PELIGROSA A LA RADIACIÓN.

4. FUNCIONAMIENTO

Este producto no está diseñado para un uso continuo. Asegúrese de que hace descansos regulares durante su funcionamiento para maximizar la vida de su láser. Desconecte siempre el COLORstrip™ Mini FX de la alimentación cuando no lo use.

Manejo del Panel de Control

Para acceder a las funciones del panel de control, use los cuatro botones ubicados bajo la pantalla. Cuando el producto esté encendido, el monitor LED de la parte posterior mostrará el modo de funcionamiento actual (independiente o DMX). El producto mantendrá la configuración guardada cuando se apagó la última vez.

Botón	Función
MODE	Selecciona un modo de funcionamiento o regresa a la opción de menú actual
UP	Se desplaza hacia arriba por la lista de opciones o selecciona un valor más alto
DOWN	Se desplaza hacia abajo por la lista de opciones o selecciona un valor inferior
ENTER	Activa una opción de menú o valor seleccionado

Mapa de Menú

Nivel Principal	Niveles de Programación		Descripción
ACt Operación Automática (niveles extra no disponibles en todos los programas)	A000—A036	F000—F100	Velocidad de flash (lenta a rápida)
		P000—P100	Velocidad de ejecución (lenta a rápida)
		L000—L006	Láser
		C000—C100	Azul (solo disponible en A034)
		S000—S100	Velocidad estroboscopio láser
		r001—r016	Patrón láser
Sys	SdAd	Ch-4	P 1—P512 Establece la personalidad DMX y la dirección de inicio
		Ch-7	
	SAAd		Configura la dirección del esclavo
rEM			Control remoto

Configuración (DMX)

Configure el producto en modo DMX para controlarlo con un controlador DMX.

1. Conecte el producto a una toma de corriente adecuada.
2. Conecte un cable DMX de la salida DMX del controlador DMX al conector de entrada DMX del producto.

Personalidades DMX y Dirección de Inicio

Cuando seleccione una dirección DMX de inicio, tenga en cuenta siempre el número de canales DMX que usa el modo seleccionado. Si escoge una dirección de inicio que es demasiado alta, podría estar restringiendo el acceso a alguno de los canales del producto.

El COLORstrip™ Mini FX usa hasta 7 canales DMX en su personalidad DMX de 7 canales, lo cual establece la dirección **506** como la más alta que se puede configurar.

Si no está familiarizado con el protocolo DMX, descargue el Manual DMX de www.chauvetlighting.com.

Para seleccionar la dirección de inicio, haga lo siguiente:

1. Pulse **MODE** repetidamente hasta que aparezca **Sys** en la pantalla.
2. Pulse **ENTER** y **SdAd** o **SAAd** aparece en la pantalla.
3. Utilice **UP** o **DOWN** para seleccionar **SdAd**.
4. Pulse **ENTER** y **Ch-4** (personalidad de 4 canales) o **Ch-7** (personalidad de 7 canales) aparecerá en la pantalla.
5. Utilice **UP** o **DOWN** para seleccionar la personalidad DMX deseada.
6. Pulse **ENTER**.
7. Utilice **UP** o **DOWN** para seleccionar la dirección de inicio deseada.
8. Pulse **ENTER**.

Modos de Canal, Asignaciones y Valores DMX

7-C	Canal	Función	Valor	C.2	C.3	C.4		
1		Blackout	000 ó 006		Velocidad estroboscopia 000 ó 249			
		Rojo	007 ó 013					
		Verde	014 ó 020					
		Azul	021 ó 027					
		Amarillo	028 ó 034					
		Violeta	035 ó 041					
		Cian	042 ó 048					
		Blanco	049 ó 055					
		Rojo (Láser)	056 ó 062					
		Verde (Láser)	063 ó 069					
		Rojo + Verde (Láser)	070 ó 076	Activo por sonido 250 ó 255				
		Cambio de Color 1	077 ó 083					
		Cambio de Color 2	084 ó 090					
		Cambio de Color 3	091 ó 097					
		Cambio de Color 4	098 ó 104					
		Cambio de Color 5	105 ó 111					
		Cambio de Color 6	112 ó 118					
		Cambio de Color 1 (Láser + LED)	119 ó 125					
		Cambio de Color 2 (Láser + LED)	126 ó 132					
		Cambio de Color 3 (Láser + LED)	133 ó 139				Velocidad ejecución auto 000 ó 127	
		Cambio de Color 4 (Láser + LED)	140 ó 146					
		Cambio de Color 5 (Láser + LED)	147 ó 153					
		Secuencia de Color 1	154 ó 160					
		Secuencia de Color 2	161 ó 167					
		Secuencia de Color 3	168 ó 174					
		Secuencia de Color 4	175 ó 181					
		Secuencia de Color 5	182 ó 188					
		Secuencia de Color 6	189 ó 195					
		Secuencia de Color 7	196 ó 202	Activo por sonido 128 ó 255				
		Secuencia de Color 1 (Láser + LED)	203 ó 209					
		Secuencia de Color 2 (Láser + LED)	210 ó 216					
		Secuencia de Color 3 (Láser + LED)	217 ó 223					
	Secuencia de Color 4 (Láser + LED)	224 ó 230						
	Secuencia de Color 5 (Láser + LED)	231 ó 237						
	Mezcla de Color RGB	238 ó 244	Rojo 0—100%				Verde 0—100%	Azul 0—100%
	Fade de Color	245 ó 251	Velocidad de fade 0—100%					
	Activo por Sonido (Ejecución Automática)	252 ó 255						

7-C (cont.)	Canal	Función	Valor	Porcentaje/Configuración
5	Color Láser	000 ó 039	Blackout	
		040 ó 079	Rojo	
		080 ó 119	Verde	
		120 ó 159	Rojo + Verde	
		160 ó 199	Rojo encendido, Estroboscopia verde	
		200 ó 239	Verde encendido, Estroboscopia rojo	
		240 ó 255	Estroboscopia alterno	
6	Estroboscopia Láser	000 ó 004	Sin estroboscopia	
		005 ó 249	Estroboscopia, lento a rápido	
		250 ó 255	Estroboscopia, activo por sonido	
7	Rotación de Láser y Selección de Patrón	000 ó 019	Patrón 1	
		020 ó 039	Patrón 2	
		040 ó 059	Patrón 3	
		060 ó 079	Patrón 4	
		080 ó 099	Patrón 5	
		100 ó 119	Patrón 6	
		120 ó 255	Rotación, lento a rápido	



Mientras esté en modo de 7 canales, los canales 5—7 están operativos cuando el canal 1 esté entre 238—251.

4-C	Canal	Función	Valor	Porcentaje/Configuración
1	Rojo	000 ó 255	0 a 100%	
		000 ó 255	0 a 100%	
		000 ó 255	0 a 100%	
4	Color Láser	000 ó 010	Blackout	
		011 ó 063	Programas automáticos con estroboscopia	
		064 ó 127	Láser rojo	
		128 ó 191	Láser verde	
		192 ó 255	Láser rojo + verde	

Configuración (Independiente)

Configure el producto en uno de los modos independientes para controlarlo sin controlador DMX.

- Conecte el producto a una toma de corriente adecuada.



Nunca conecte un producto que está funcionando en cualquier modo independiente (Estático, Automático o Activo por sonido) a una línea DMX conectada a un controlador DMX. Los productos en modo independiente pueden transmitir señales DMX que podrían interferir con las señales DMX del controlador.

ACt Funcionamiento Automático

Para habilitar ACt Funcionamiento Automático, haga lo siguiente:

1. Pulse **MODE** repetidamente hasta que aparezca **ACt** en la pantalla.
2. Pulse **ENTER**.
3. Utilice **UP** o **DOWN** para seleccionar el programa automático deseado **A000—A036**.
4. Pulse **ENTER**.

Ciertos programas tendrán funcionalidades adicionales. Para encontrar estas opciones, pulse **ENTER** después de seleccionar un programa automático. Luego utilice **UP** o **DOWN** para escoger la configuración deseada. No todos los programas incorporarán funciones adicionales.

Función	Descripción
F000—F100	Velocidad de flash (lenta a rápida)
P000—P100	Velocidad de ejecución (lenta a rápida)
L000—L006	Láser
C000—C100	Azul (solo disponible en A034)
S000—S100	Velocidad estroboscopia láser
r001—r016	Gobo láser

Modo Maestro/Esclavo

El modo Maestro/Esclavo permite que un solo producto COLORstrip™ Mini FX (el "maestro"), controle las acciones de uno o más productos COLORstrip™ Mini FX (los "esclavos") sin necesidad de un controlador DMX. El maestro se configurará para funcionar bien en modo Automático bien en modo Activo por Sonido, mientras que los esclavos se configurarán para funcionar en Modo Esclavo. Una vez configuradas y conectadas, las unidades esclavo funcionarán al unísono con la unidad maestro.

Configure las unidades como se indica a continuación.

Unidades esclavo:

1. Pulse **MODE** repetidamente hasta que aparezca **SyS** en la pantalla.
2. Pulse **ENTER** y **SdAd** o **SAAd** aparece en la pantalla.
3. Utilice **UP** o **DOWN** para seleccionar **SAAd**.
4. Pulse **ENTER**.
5. Conecte la entrada DMX de la primera unidad esclavo a la salida DMX de la unidad maestro.
6. Conecte la entrada DMX de las siguientes unidades esclavo a la salida DMX de la unidad esclavo precedente.
7. Termine de configurar y conectar todas las unidades esclavo.

Unidad maestro:

1. Configure la unidad maestro para funcionar en modo ACt Funcionamiento Automático.
2. Ponga la unidad maestro como la primera unidad de la cascada DMX.

• **Configure todas las unidades esclavo antes de conectar la unidad maestro a la cascada DMX.**

• **Nunca conecte un controlador DMX a una línea DMX configurada para funcionamiento Maestro/Esclavo, porque el controlador puede interferir con las señales de la unidad maestro.**

• **No conecte más de 31 unidades esclavo a la unidad maestro.**



Mando a Distancia por Infrarrojos

El COLORstrip™ Mini FX es completamente compatible con el mando a distancia por infrarrojos incluido.

Para configurar un COLORstrip™ Mini FX para que funcione con el mando a distancia por IR, haga lo siguiente:

1. Pulse **MODE** repetidamente hasta que aparezca **rEM** en la pantalla.
2. Pulse **ENTER**.

Con el COLORstrip™ Mini FX se usan los siguientes botones:

- **AUTO** activa el Funcionamiento Automático.
 - **MUSIC** activa el modo Activo por Sonido.
 - **0 a 9** selecciona los modos Secuencia.
1. Pulse **A** y luego **PREV** o **NEXT** para seleccionar el color LED (**0—7**).
 2. Pulse **B** y luego **PREV** o **NEXT** para seleccionar el color láser (**0—3**).
 3. Pulse **C** y luego **PREV** o **NEXT** para seleccionar el gobo láser (**1—6**).

5. INFORMACIÓN TÉCNICA

Mantenimiento del Producto

El polvo acumulado reduce el rendimiento de la salida de luz y puede provocar sobrecalentamiento. Para mantener un rendimiento óptimo, limpie el producto al menos dos veces al mes.

Sin embargo, el uso y las condiciones ambientales influyen para un aumento de la frecuencia de limpieza.

Para limpiar el producto, siga las instrucciones siguientes:

1. Desenchufe el producto de la alimentación.
2. Espere a que el producto esté a temperatura ambiente.
3. Use un aspirador (o aire seco comprimido) y un cepillo suave para quitar el polvo depositado en las superficies externas y los orificios de aireación de los ventiladores.
4. Limpie el panel de cristal (apertura del láser) con una solución suave de limpiador de cristales o alcohol isopropílico.
5. Aplique la solución directamente sobre un paño suave que no deje pelusa o un paño de limpiar lentes.
6. Con suavidad, quite todo el polvo o suciedad de los bordes externos del cristal.
7. Con cuidado, frote la superficie hasta que no quede turbiedad ni pelusas.



Seque siempre con cuidado las superficies de cristal después de limpiarlas.

6. ESPECIFICACIONES TÉCNICAS

Dimensiones y Peso	Largo	Ancho	Alto	Peso
	19" (482 mm)	2,6" (60 mm)	6,6" (169 mm)	4,2 lb (2 kg)
Nota: Las dimensiones en pulgadas están redondeadas al dígito decimal más próximo.				
Alimentación	Tensión de Entrada	Rango	Selección de Tensión	
	Conmutación (interna)	100 a 240 VCA, 50/60 Hz	Detección automática (autorango)	
	Parámetro	120 V, 60 Hz	230 V, 50 Hz	
	Consumo	28 W	26 W	
	Corriente de funcionamiento	0,4 A	0,2 A	
Fuente de Luz	Intensidades de alimentación en cadena (unidades)	8 A (20 unidades)	8 A (38 unidades)	
	Fusible	T 1 A, 250 V	T 1 A, 250 V	
	E/S Alimentación	US/Mundial	UK/Europa	
	Enchufe de cable de alimentación	Edison (EE.UU.)	Enchufe local	
Láser	Tipo	Alimentación	Longitud de Onda	
	Láser (verde)	50 mW	532 nm	
LED	Láser (rojo)	100 mW	650 nm	
	Tipo	Alimentación	Duración	
	LED	0,25 W	100.000 horas	
	Color	Cantidad	Intensidad	
	Rojo	63	20 mA	
Óptica Foto	Verde	64	20 mA	
	Azul	63	20 mA	
	Parámetro	Iluminancia @ 2 m	444 lx	
	Ángulo de cobertura (láser)	100°	Ángulo de campo 38°	
Térmicas	Ángulo del haz	22°		
	Temp. Externa Máxima	Sistema de Refrigeración		
	104 °F (40 °C)	Convección		
DMX	Conectores E/S	Tipo de Conector	Rango de Canal	
	XLR 3 pines	Conectores	4, 7	
Pedidos	Nombre de Producto	Código de Pieza	Código UPC	
	COLORstrip™ Mini FX	10030762	781462211103	



Devoluciones

En caso de que necesite asistencia o devolver un producto:

- Si se encuentra en EE. UU., póngase en contacto con la Oficina Central de CHAUVET®.
- Si se encuentra en el Reino Unido o Irlanda, póngase en contacto con CHAUVET® Europe Ltd.
- Si se encuentra en cualquier otro país, NO contacte con CHAUVET®. Contacte con su distribuidor local. Vea www.chauvetlighting.com para distribuidores fuera de EE.UU., Reino Unido o Irlanda.



Si se encuentra fuera de los EE.UU., Reino Unido o Irlanda, póngase en contacto con su distribuidor de registro y siga sus instrucciones sobre cómo devolverle a ellos los productos CHAUVET®. Visite www.chauvetlighting.com para detalles de contacto.

Llame a la oficina de Asistencia Técnica CHAUVET® correspondiente y pida un número de Autorización de Devolución de la mercancía (RMA) antes de enviar el producto. Está preparado para proporcionar el número de modelo, número de serie y una breve descripción de la causa de la devolución.

Envíe la mercancía a portes pagados, en su caja original y con su embalaje y accesorios originales. CHAUVET® no expedirá etiquetas de devolución.

Etiquete el paquete claramente con el número de RMA. CHAUVET® rechazará cualquier producto devuelto sin un número de RMA.



Escriba el número de RMA en una etiqueta convenientemente adherida. NO escriba el número de RMA directamente sobre la caja.

Antes de enviar el producto, escriba claramente la siguiente información en una hoja de papel y colóquela dentro de la caja:

- Su nombre
- Su dirección
- Su número de teléfono
- Número de RMA
- Una breve descripción del problema

Asegúrese de que empaqueta el producto adecuadamente. Cualquier daño en el transporte que resulte de un empaquetado inadecuado será responsabilidad suya. Se recomienda empaquetado FedEx o de doble caja.



CHAUVET® se reserva el derecho de usar su propio criterio para reparar o reemplazar productos devueltos.

Contacto

CHAUVET®

Oficina Central Información General

Dirección: 5200 NW 108th Avenue
Sunrise, FL 33351
Voz: 954-577-4455
Fax: 954-929-5560
Número Gratuito: 1-800-762-1084

Servicio Técnico

Voz: 954-577-4455 (Marque 4)
Fax: 954-756-8015
Email: tech@chauvetlighting.com

World Wide Web

www.chauvetlighting.com

CHAUVET® Europe Ltd.

Reino Unido e Irlanda Información General

Dirección: Unit 1C
Brookhill Road Industrial Estate
Pinxton, Nottingham, UK
NG16 6NT
Voz: +44 (0)1773 511115
Fax: +44 (0)1773 511110

Servicio Técnico

Email: uktech@chauvetlighting.com

World Wide Web

www.chauvetlighting.co.uk

1. AVANT DE COMMENCER

Ce Qui est Compris

- Un COLORstrip™ Mini FX
- Un cordon d'alimentation
- Une lyre de suspension avec matériel de montage
- Une télécommande infrarouge
- Une fiche de garantie
- Un manuel d'utilisation

Instructions Relatives au Déballage

Déballer l'appareil avec précaution et vérifiez le contenu afin de vous assurer que rien ne vous manque et que tout est en bon état.

Réclamations




Si l'emballage ou le contenu (l'appareil et ses accessoires compris) semble avoir été endommagé pendant le transport, ou s'il présente des signes de manipulation sans précaution, veuillez dès réception en notifier immédiatement le transporteur et non CHAUVET®. Ne pas enregistrer votre réclamation auprès du transporteur en temps et en heure peut entraîner une non validation de celle-ci. De plus, gardez l'emballage et tous les matériaux d'emballage pour inspection.

Pour tout autre problème comme la non-livraison de pièces ou composants, des dommages non en rapport avec la livraison ou des vices cachés, veuillez déposer votre réclamation auprès de CHAUVET® dans les 7 jours suivant la livraison.

Conventions de ce Manuel

Convention	Signification
1—512	Une plage de valeurs
50/60	Un ensemble de valeurs parmi lequel on ne peut en choisir qu'une
Settings	Une option de menu ne pouvant être modifiée
Menu > Settings	Une séquence d'options de menu à suivre
ENTER	Un bouton sur lequel appuyer sur le panneau de commande de l'appareil
ON	Une valeur à saisir ou à sélectionner

Symboles

Symbole	Signification
	Consignes importantes en matière d'installation, de configuration et de fonctionnement. Le non-respect de ces consignes peut entraîner le non-fonctionnement de l'appareil ou lui causer des dommages. De même, l'utilisateur peut s'en trouver affecté.
	Consignes importantes en matière d'installation ou de configuration. Le produit peut ne pas fonctionner correctement si ces instructions ne sont pas suivies.
	Informations utiles

Clause de Non-Responsabilité

Les informations et caractéristiques contenues dans ce manuel sont sujettes à changement sans préavis. CHAUVET® ne saura être tenu responsable pour toute erreur ou omission pouvant être contenue dans ce manuel. De plus CHAUVET® se réserve le droit de revoir ou réécrire ce manuel à tout moment. Téléchargez la dernière version de ce manuel sur www.chauvetlighting.com.

© Copyright 2013 CHAUVET®. Tous droits réservés.

Imprimé en République Populaire de Chine

Publié électroniquement par CHAUVET® aux États-Unis.

Consignes de Sécurité

Ce manuel d'utilisation reprend d'importantes informations en matière de consignes de sécurité des lasers. Lisez et assimilez ces consignes avant de mettre votre unité sous tension pour la première fois. Connaître ces consignes de sécurité est essentiel car vous éviterez ainsi des blessures oculaires et ne vous trouverez pas en infraction avec la loi. Gardez ce manuel dans un endroit sûr pour référence future.



LISEZ ET ASSIMILEZ IMPÉRATIVEMENT TOUTES LES CONSIGNES DE SÉCURITÉ EN MATIÈRE DE LASER



- Les lasers peuvent s'avérer dangereux et font l'objet de consignes de sécurité spécifiques. Une mauvaise utilisation des lasers pourrait entraîner une cécité totale ou causer des lésions oculaires. Portez une attention particulière aux libellés portant la mention **AVERTISSEMENT** ou **REMARQUE** dans ce manuel d'utilisation. Lisez et assimilez toutes les consignes **AVANT** de mettre cet appareil en marche pour la première fois.
- Connectez toujours l'appareil à un circuit relié à la terre afin d'éviter tout risque d'électrocution.
- Déconnectez toujours de l'alimentation principale avant de procéder à tout entretien.
- Évitez tout contact visuel direct avec la source lumineuse quand cet appareil est en marche
- Assurez-vous que le cordon d'alimentation n'est ni tordu ni endommagé.
- Ne débranchez jamais cet appareil en tirant sur le cordon.
- Si vous installez l'appareil en hauteur, utilisez impérativement une élingue de sécurité pour le sécuriser au dispositif de fixation.
- Ne laissez aucun produit inflammable dans un rayon de 50 cm de l'appareil lorsque celui-ci fonctionne.
- Ne touchez pas cet appareil lors de son fonctionnement car il pourrait s'avérer brûlant.
- Ne retirez sous aucun prétexte les fixations de montage. Cet appareil doit être impérativement utilisé avec les fixations.



- **Cet appareil n'est pas conçu pour être utilisé dans une installation permanente.**
- Veillez toujours à ce que la tension de la prise à laquelle vous branchez l'appareil soit comprise dans la plage indiquée sur l'étiquette ou à l'arrière de l'appareil.
- Cet appareil doit être utilisé en intérieur uniquement ! (IP20). Afin d'éviter tout risque d'incendie ou décharge électrique, veillez à n'exposer cet appareil ni à la pluie ni à l'humidité.
- Installez toujours cet appareil dans un endroit bien ventilé, à au moins 20 pouces (50 cm) des surfaces adjacentes.
- Assurez-vous qu'aucune fente de ventilation sur le boîtier de l'appareil ne soit obstruée.
- Ne connectez jamais cet appareil à un gradateur.
- Transportez ce produit uniquement au moyen de la poignée dont il est doté.
- Mettre l'appareil hors/sous tension à de brefs intervalles est fortement déconseillé. La durée de vie de la diode laser s'en trouverait fortement réduite.
- Ne secouez pas l'appareil. Évitez tout geste brusque lors de l'installation ou de l'utilisation de l'appareil.
- Utilisez **TOUJOURS** un câble de sécurité lorsque vous montez cet appareil en hauteur.
- La température ambiante maximale doit être de 104° F (40° C). Ne le faites pas fonctionner à des températures plus élevées.
- En cas de sérieux problèmes de fonctionnement, arrêtez le système immédiatement.
- N'essayez jamais de réparer cet appareil. Toute réparation effectuée par une personne non qualifiée peut entraîner des dommages ou un fonctionnement erratique de l'appareil. Mettez-vous en relation avec le centre d'assistance technique autorisé le plus près de chez vous.



- Lumière laser : évitez tout contact direct avec les yeux ! N'exposez jamais intentionnellement directement vos yeux ou ceux d'autres personnes à la lumière du laser.
- Cet appareil laser peut entraîner une cécité totale ou causer des lésions oculaires instantanées si le laser entre en contact direct avec les yeux.
- Il est illégal et dangereux de diriger ce laser vers les zones destinées au public, zones où les yeux des membres du public ou du personnel pourraient être en contact direct avec les rayons laser ou des réfléchissements lumineux.
- Ne pointez pas de laser sur les avions, ceci est répréhensible par la loi.
- L'utilisation des commandes, réglages ou procédures autres que celles spécifiées ci-après peut entraîner de dangereuses expositions à des radiations.
- N'essayez JAMAIS de réparer l'appareil vous-même. Les réparations et entretiens doivent être effectués par un technicien agréé. **Toute modification non autorisée apportée à l'appareil est strictement interdite pour raison de sécurité !**



- Conservez ce manuel d'utilisation pour référence future. Si vous étiez amené à vendre cet appareil à un autre utilisateur, veillez à lui remettre ce manuel également.

Avertissement :
Boîtier non
Verrouillable

- Cet appareil renferme un laser très puissant.
- N'ouvrez jamais le boîtier du laser, vous pourriez être exposé à des niveaux dangereux de radiation laser.
- L'intensité du laser à l'ouverture du boîtier peut entraîner instantanément une cécité, des brûlures cutanées ou des incendies.

Consignes de
Sécurité
Relatives au
Laser



PRENEZ LE TEMPS DE LIRE ET ASSIMILEZ LES CONSIGNES
DE SÉCURITÉ RELATIVES AU LASER CI-DESSOUS



La source de lumière émise d'un laser est très différente de toute autre source de lumière. La lumière émise par cet appareil peut entraîner des lésions oculaires si celui-ci n'est pas correctement installé et utilisé. La lumière d'un laser est des milliers de fois plus concentrée que toute autre source lumineuse. Cette concentration de lumière peut causer des blessures oculaires instantanées, essentiellement par une brûlure de la rétine (l'arrière de votre œil contient des cellules extrêmement sensibles à la lumière). Même si vous ne ressentez pas de « chaleur » provenant du faisceau lumineux, il peut quand même être à l'origine de blessure ou de cécité, pour vous ou votre public. Une faible radiation en provenance du faisceau lumineux du laser peut s'avérer potentiellement dangereuse, même à de longues distances. Des blessures oculaires dues au laser peuvent survenir avant même que vous n'ayez eu le temps de cligner des yeux.

Il serait **ERRONÉ** de croire que puisque les appareils laser destinés au divertissement divisent le faisceau en centaines de faisceaux et que les faisceaux laser sont balayés rapidement, un faisceau laser individuel est sans danger pour les yeux. Ce laser utilise des dizaines de milliwatts de puissance (niveaux internes de classe 3B) avant de se diviser en de multiples faisceaux (niveaux de classe 3R). De nombreux faisceaux individuels sont potentiellement dangereux pour les yeux.

Il serait également **ERRONÉ** de croire que puisque la lumière laser est mobile, elle est inoffensive. L'utilisation des lasers ne se fait jamais sans risque. De plus, gardez à l'esprit que celle-ci n'est pas toujours mobile. Puisque les blessures oculaires peuvent apparaître instantanément, il est indispensable d'empêcher LA MOINDRE exposition directe des yeux. Selon la réglementation de sécurité relative aux lasers, il est interdit de diriger des lasers de classe 3R là où le public pourrait être en contact avec ces faisceaux. Ceci est également valable s'ils sont dirigés en-dessous du visage des gens, comme sur une piste de danse.

- Ne faites pas fonctionner le laser avant d'avoir lu et compris toutes les données techniques et de sécurité contenues dans ce manuel.
- **Veillez TOUJOURS configurer et installer les effets laser de manière à ce que leur lumière soit projetée à minimum 3 mètres (9,8 pieds) au-dessus du sol sur lequel les gens se tiennent. Référez-vous à la section [Utilisation Adéquate](#) de ce manuel.**
- Après installation et avant utilisation publique, veuillez tester le laser afin de vous assurer de son bon fonctionnement. Ne l'utilisez pas si vous détectez un défaut.
- **NE l'utilisez PAS** non plus si le laser émet uniquement un ou deux faisceaux au lieu de dizaines ou de centaines, car cela pourrait endommager votre diffraction optique et permettre l'émission de niveaux de laser plus élevés que de classe R.
- **NE pointez PAS** le laser sur les gens ou les animaux.
- Ne regardez jamais l'ouverture ou les faisceaux laser.
- **NE pointez PAS** de lasers dans les endroits où les gens pourraient potentiellement y être exposés, tels que les balcons, etc.
- **NE pointez PAS** de laser sur des surfaces hautement réfléchissantes, telles que les fenêtres, les miroirs ou du métal réverbérant. Même les reflets des lasers peuvent être dangereux.
- Ne pointez pas de laser sur les avions, ceci est répréhensible par la loi.
- Ne pointez pas des faisceaux de laser très longue portée dans le ciel.
- N'exposez pas la sortie optique (ouverture) à des produits chimiques.
- N'utilisez pas le laser si le boîtier est endommagé, ouvert, ou si l'optique semble endommagée en quoique ce soit.
- N'ouvrez pas le boîtier du laser. La forte intensité du laser à l'intérieur du boîtier de protection peut entraîner des incendies, des brûlures corporelles ou des blessures oculaires instantanées.
- Ne laissez jamais l'appareil fonctionner sans surveillance.
- Le fonctionnement d'appareils laser de classe 3R n'est autorisé que s'il est contrôlé par un utilisateur expérimenté et adéquatement formé, ayant assimilé les données présentées dans ce manuel.
- Les obligations légales d'utilisation des produits laser pour les loisirs varient de pays en pays. L'utilisateur est tenu de respecter les obligations légales du pays/de la salle dans lequel il l'utilise.




ATTENTION : n'utilisez PAS cet appareil de manière non indiquée dans ce manuel d'utilisateur. Le non-respect des instructions entraînera l'annulation de la garantie et peut également endommager l'appareil ou causer des blessures aussi bien à l'utilisateur qu'au public.

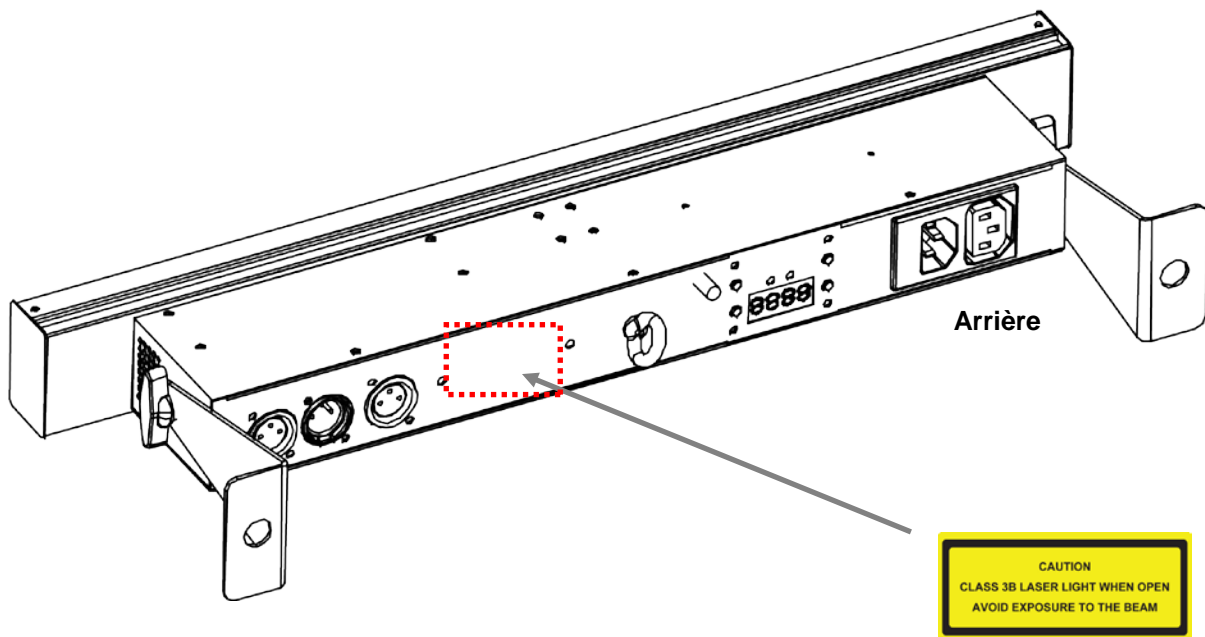
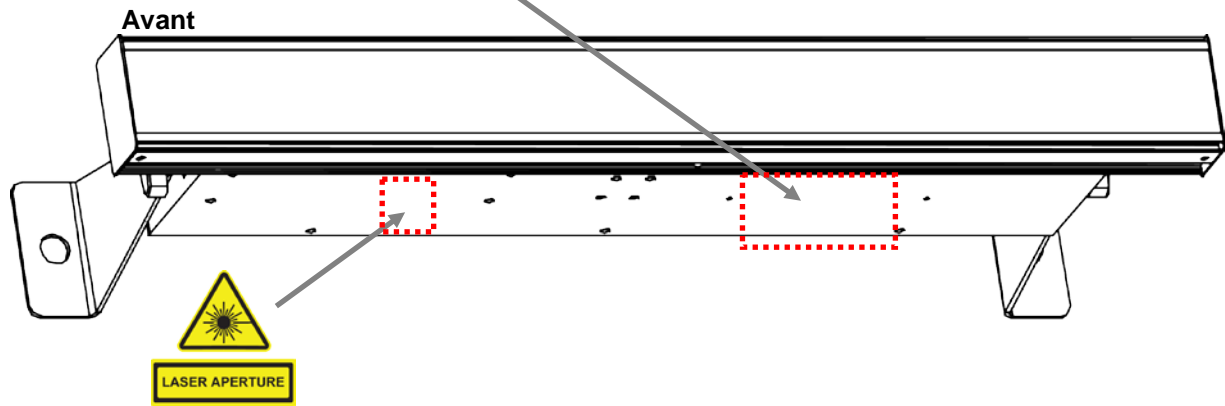


ATTENTION : vous ne pouvez disposer de cet appareil avec les déchets ménagers. Prenez contact avec votre service régional de gestion des déchets pour connaître les procédures de recyclage des appareils électroniques de votre zone.

Reproductions des Etiquettes en Matière de Sécurité des Appareils Laser

 <p>LASER LIGHT AVOID DIRECT EYE EXPOSURE CLASS 3R LASER PRODUCT 50 mW, 532 nm / 100 mW, 650 nm Classified per EN/IEC 60825-1:2007</p>		
<p>CHAUVET <i>Value - Innovation - Performance</i></p>		
<p>CHAUVET WORLDWIDE HEADQUARTERS SUNRISE, FLORIDA USA</p>		
<p>RoHS</p>		
<p>CE</p>		
<p>MODEL: COLORstrip™ Mini FX ITEM CODE: 10030762 FUSE: T 1 A, 250 V MAX. OUTPUT CURRENT: 8 A (20 units @ 120 V) (38 units @ 230 V)</p>	<p>LIGHT SOURCE: LED, LASER ORIGIN: MADE IN P.R.C.</p>	<p>THIS APPLIANCE MUST BE GROUNDED USE ONLY FUSE OF SAME TYPE & RATING NOT FOR HOUSEHOLD USE IMPROPRE A L'USAGE DOMESTIQUE DRY LOCATIONS EMPLACEMENTS SECS DISCONNECT POWER BEFORE SERVICING</p>
<p>USA/CANADA Power: AC 100-125 V, 60 Hz 0.4 A, 28 W</p>	<p>WORLDWIDE Power: AC 100-240 V, 50 Hz 0.2 A, 26 W</p>	

**CAUTION - CLASS 3B LASER
 RADIATION WHEN OPEN.
 AVOID EXPOSURE TO
 BEAM**



**Avertissement
d'Exposition au
Laser**



LUMIÈRE LASER, ÉVITEZ L'EXPOSITION DIRECTE AVEC LES YEUX

Des lignes directrices et programmes de sécurité supplémentaires pour une utilisation des lasers en toute sécurité peuvent être consultés dans le texte de la norme ANSI Z136.1 "For Safe Use of Lasers" ("Pour une utilisation des lasers en toute sécurité"), disponible sur le site www.laserinstitute.org du Laser Institute of America. Une multitude de gouvernements, grandes entreprises, agences, forces armées et autres, exige que les utilisateurs d'appareils laser suivent les lignes directrices de la norme ANSI Z136.1. Le guide des spectacles laser peut être obtenu auprès de l'International Laser Display Association (l'association internationale du spectacle laser) sur leur site www.laserist.org.

Données d'Emission Laser

Classification du laser	Classe 3R
Laser vert	DPSS Nd:YVO4, 532 nm/50 mW
Laser rouge	LD GaAlAs, 650 nm/100 mW
Diamètre de faisceau	< 5 mm à l'ouverture
Données d'impulsion	Toute impulsion < 4 Hz (>0,25 s)
Divergence (chaque faisceau)	< 2 mrad
Divergence (éclairage dans son ensemble)	< 160 °
Puissance de laser de chacune Faisceau depuis ouverture*	<5 mW

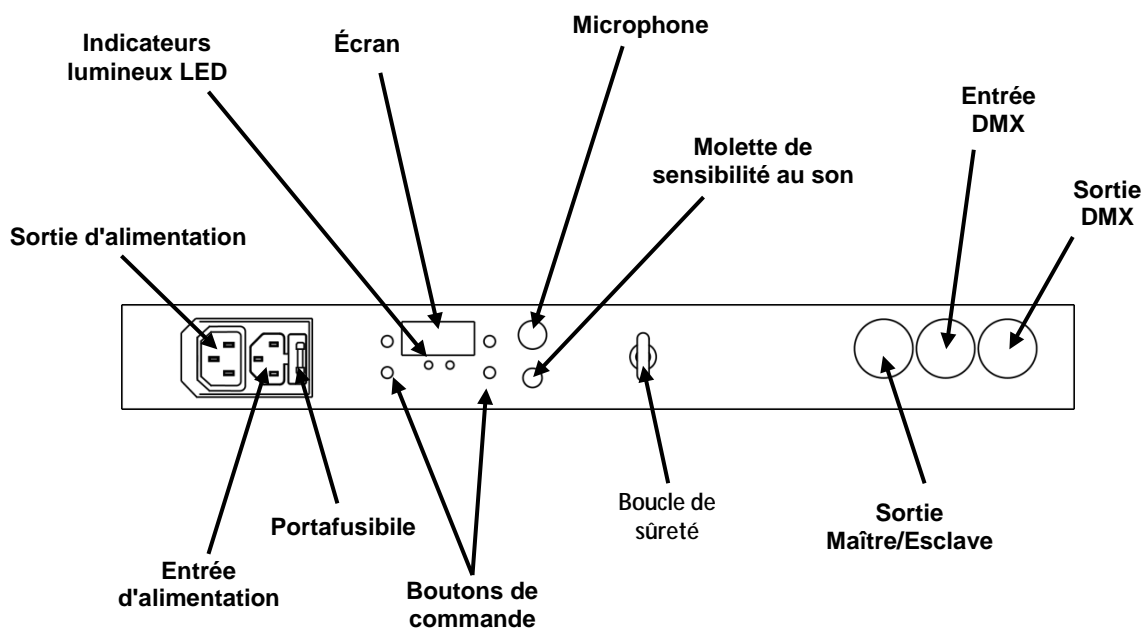
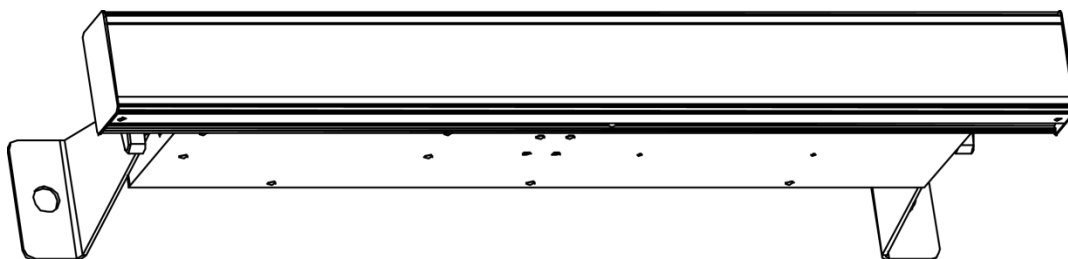
* Comme mesuré selon les conditions de mesure CEI pour la classification.

**Déclaration
de
Conformité
du Laser**

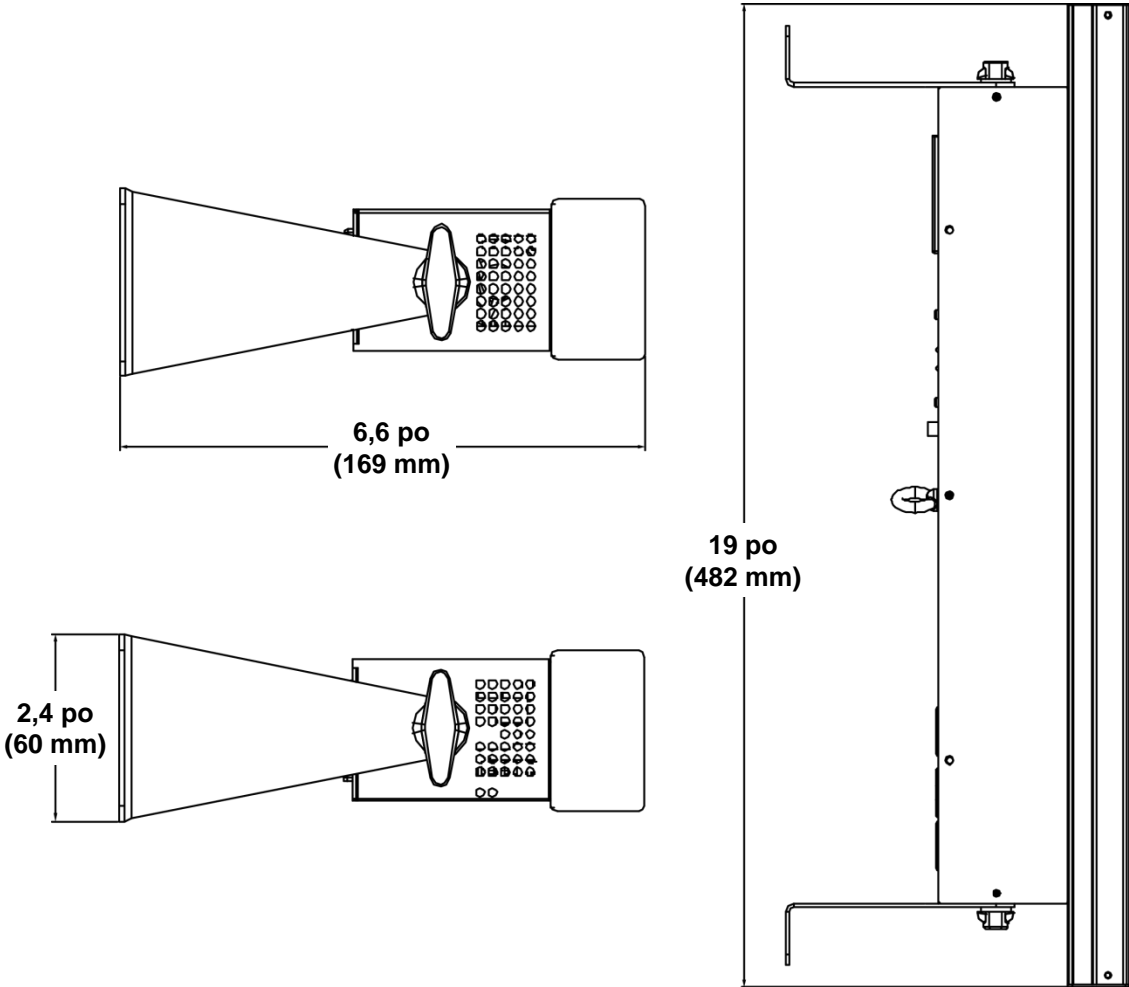
Cet appareil laser répond aux normes EN/CEI 60825-1 Ed 2, 2007-03 et US FDA/CDRH FLPPS selon les termes de la notice de laser n°50 en date du 24 juin 2007. Cet appareil laser est classé 3R. (La classe 3R est la classe équivalant à la classe IIIa aux États-Unis). Aucune maintenance n'est nécessaire pour le maintien de la conformité aux normes de performance laser de cet appareil.

2. INTRODUCTION

Aperçu



Dimensions



3. CONFIGURATION

Alimentation

Le COLORstrip™ Mini FX est doté d'une alimentation universelle prenant en charge toute tension d'entrée comprise entre 100 et 240 VCA, 50/60 Hz.

CA

Pour déterminer les exigences en puissance de votre appareil (court-circuit, prise d'alimentation et câblage), consultez la valeur reprise sur l'étiquette apposée sur le panneau arrière du produit ou référez-vous aux [Spécificités Techniques](#). La capacité nominale affichée indique la consommation courante de l'appareil dans des conditions normales d'utilisation.



Connectez toujours l'appareil à un circuit protégé (disjoncteur ou fusible). Assurez-vous que l'appareil soit correctement relié à la terre afin d'éviter tout risque d'électrocution ou d'incendie.

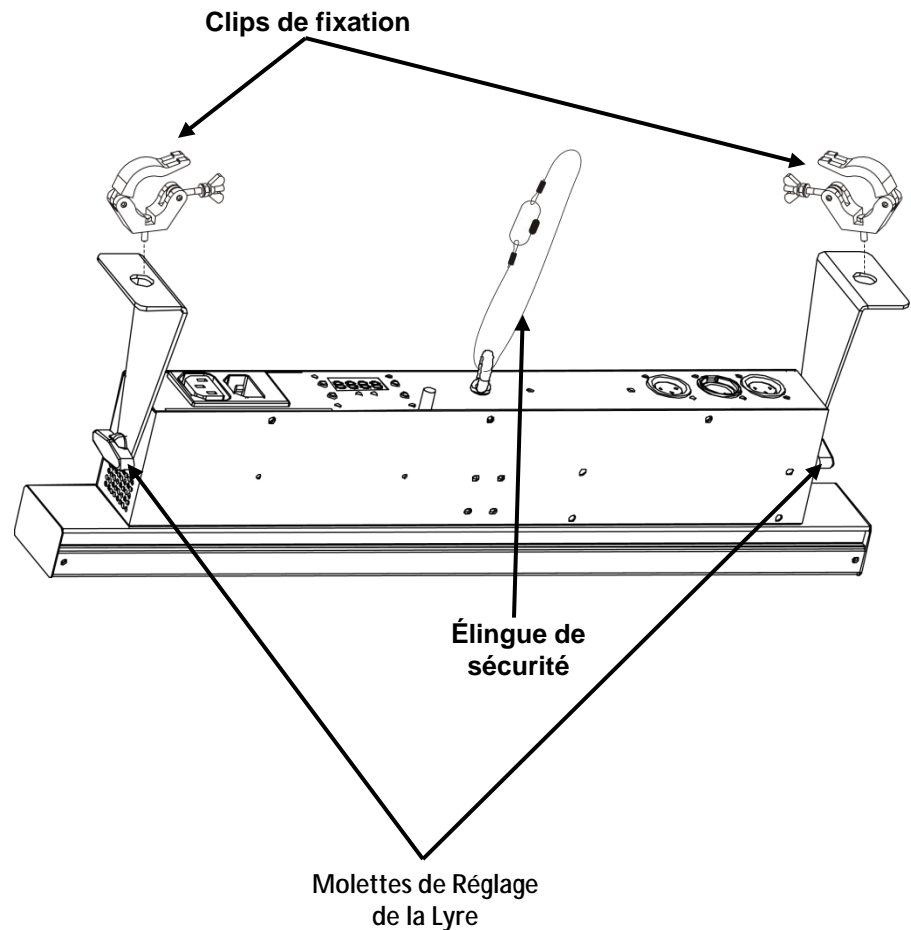


Ne connectez jamais l'appareil à un rhéostat (résistance variable) ou un circuit voileur, même si vous n'avez l'intention de vous servir du rhéostat ou canal de gradation que comme interrupteur 0 à 100 %.

Installation Avant d'installer ce produit, lisez, assimilez et suivez les recommandations en matière de sécurité reprises dans la section [Consignes de Sécurité](#).

Orientation Le COLORstrip™ Mini FX doit être monté de manière à garantir l'usage en toute sécurité du laser. Assurez-vous que la ventilation de cet appareil puisse s'effectuer de manière adéquate.

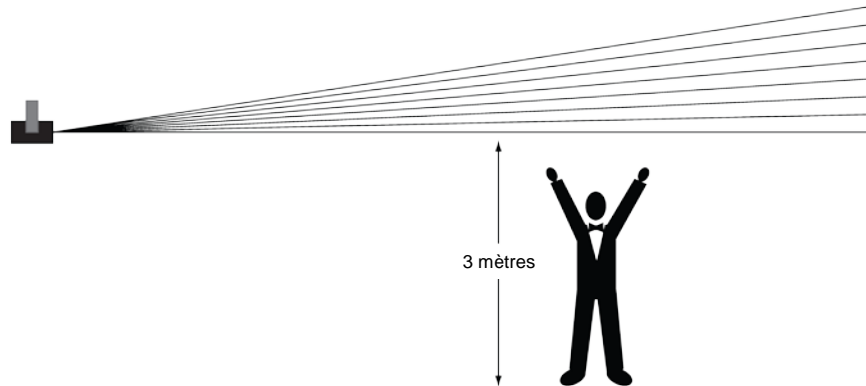
- Suspension**
- Avant de choisir un emplacement pour l'appareil, assurez-vous qu'il soit facile d'y accéder pour toute opération de maintenance et de programmation.
 - Assurez-vous que la structure ou la surface sur laquelle vous installez l'appareil peut en supporter le poids (voir les [Spécificités Techniques](#)).
 - Utilisez toujours un câble de sécurité lorsque vous montez cet appareil en hauteur. Garantissez un montage en toute sécurité de l'appareil en le reliant à un point de fixation, comme une plateforme en hauteur ou une structure.
 - Lors de la suspension de l'appareil à une structure, vous devriez utiliser un clip de fixation en mesure de supporter la charge nécessaire. La lyre double comporte de multiples orifices de 13 mm à cet effet.
 - Les molettes de réglage de la fixation permettent d'ajuster la position de l'appareil lors de son positionnement à l'angle désiré. N'utilisez aucun outil pour relâcher ou resserrer les molettes de la fixation. En utiliser pourrait endommager les molettes.
 - Les supports fournis servent également de supports de la surface. Voir la section [Utilisation Adéquate](#).



Utilisation Adéquate

Cet appareil doit être monté en hauteur uniquement. Pour des raisons de sécurité, CHAUVET® recommande de monter vos éclairages sur une plateforme élevée stable ou des supports en hauteur renforcés au moyen de systèmes de suspension adéquats. Vous devez, dans tous les cas, utiliser des élingues de sécurité. Le matériel de montage approprié peut être acquis auprès de votre revendeur d'éclairage.

Les réglementations internationales en matière de sécurité des appareils laser exigent que ceux-ci soient installés de manière à ce qu'un minimum de 3 mètres de séparation à la verticale existe entre le sol et la lumière laser la plus basse projetée. De plus, une séparation de 3 mètres à l'horizontal doit être respectée entre toute lumière laser émise et les membres du public ou autres espaces publics.



ATTENTION : L'UTILISATION DES COMMANDES, REGLAGES OU PROCEDURES AUTRES QUE CELLES SPECIFIEES DANS CE MANUEL D'UTILISATION PEUT ENTRAINER DE DANGEREUSES EXPOSITIONS A DES RADIATIONS.

4. FONCTIONNEMENT

Cet appareil ne doit pas fonctionner de manière continue. Afin de maximiser la durée de vie de votre laser, veillez à le mettre en pause régulièrement. Débranchez toujours le COLORstrip™ Mini FX quand il n'est pas utilisé.

Fonctionnement du Panneau de Commande Pour accéder aux fonctions du panneau de commande, utilisez les quatre boutons situés sous l'écran. Quand l'appareil est sous tension, le voyant LED sur le panneau arrière indiquera le mode de fonctionnement sélectionné (autonome ou DMX). Au moment d'éteindre l'appareil, seront enregistrées les dernières configurations enregistrées.

Bouton	Fonction
MODE	Sélection d'un mode de fonctionnement ou de sortie de l'option de menu en cours
UP	Permet de parcourir vers le haut la liste des options ou de trouver une valeur supérieure
DOWN	Permet de parcourir vers le bas la liste des options ou de trouver une valeur inférieure
ENTER	Permet d'activer une option de menu ou une valeur sélectionnée.

Tableau du Menu

Niveau Principal	Niveaux de Programmation		Description
ACt Fonctionnement Automatique (niveaux supplémentaires non disponibles dans tous les programmes)	A001–A036	F000–F100	Vitesse du flash (lent à rapide)
		P000–P100	Vitesse d'utilisation (lent à rapide)
		L000–L006	Laser
		C000–C100	Bleu (seulement disponible en A034)
		S000–S100	Vitesse du stroboscope laser
	r001–r016	Motif du laser	
Sys	SdAd	Ch-4	P 1–P512 Définit la personnalité DMX et l'adresse de départ
		Ch-7	
	SAAd		Définit l'adresse esclave
rEM			Télécommande

Configuration (DMX) Mettez l'appareil en mode DMX pour permettre la commande depuis le jeu d'orgues.

1. Branchez l'appareil à une prise adéquate.
2. Connectez un câble DMX de la sortie DMX du jeu d'orgues DMX à l'entrée DMX sur le produit.

Adresse de Départ et Personnalités DMX Au moment de sélectionner une adresse DMX de départ, gardez toujours à l'esprit le nombre de canaux DMX que le mode DMX sélectionné utilise. Si vous choisissez une adresse de départ trop élevée, vous pourriez restreindre l'accès à certains canaux de l'appareil.

Le COLORstrip™ Mini FX utilise jusqu'à 7 canaux DMX dans son mode DMX 7 canaux qui permet la configuration de l'adresse la plus élevée en **506**.

Si vous n'êtes pas familier avec le protocole DMX, téléchargez l'introduction au DMX sur le site Web www.chauvetlighting.com.

Pour sélectionner l'adresse de départ, faites comme suit :

1. Appuyez sur **MODE** jusqu'à ce que s'affiche sur l'écran **Sys**.
2. Appuyez sur **ENTER** et **SdAd** ou **SAAd** s'affichera à l'écran.
3. Utilisez **UP** ou **DOWN** pour sélectionner **SdAd**.
4. Appuyez sur **ENTER** et **Ch-4** (personnalité à 4 canaux) ou **Ch-7** (personnalité à 7 canaux) s'affichera à l'écran.
5. Utilisez **UP** ou **DOWN** pour sélectionner la personnalité DMX désirée.
6. Appuyez sur **ENTER**.
7. Utilisez **UP** ou **DOWN** pour sélectionner l'adresse de départ.
8. Appuyez sur **ENTER**.

Valeurs, Assignations et Modes de Canaux DMX

7	Canal	Fonction	Valeur	Canal 2	Canal 3	Canal 4
Canaux		Noir Général	000 ó 006		Vitesse du stroboscope 000 ó 249	
		Rouge	007 ó 013			
		Vert	014 ó 020			
		Bleu	021 ó 027			
		Jaune	028 ó 034			
		Violet	035 ó 041			
		Cyan	042 ó 048			
		Blanc	049 ó 055			
		Rouge (Laser)	056 ó 062			
		Vert (Laser)	063 ó 069			
		Rouge et Vert (Laser)	070 ó 076	Fonction vitesse automatique 000 ó 127		
		Changement de Couleur 1	077 ó 083			
		Changement de Couleur 2	084 ó 090			
		Changement de Couleur 3	091 ó 097			
		Changement de Couleur 4	098 ó 104			
		Changement de Couleur 5	105 ó 111			
		Changement de Couleur 6	112 ó 118			
		Changement de Couleur 1 (Laser + LED)	119 ó 125			
		Changement de Couleur 2 (Laser + LED)	126 ó 132			
		Changement de Couleur 3 (Laser + LED)	133 ó 139			
		Changement de Couleur 4 (Laser + LED)	140 ó 146			
		Changement de Couleur 5 (Laser + LED)	147 ó 153			
		Chenillard de Couleur 1	154 ó 160			
		Chenillard de Couleur 2	161 ó 167			
		Chenillard de Couleur 3	168 ó 174			
		Chenillard de Couleur 4	175 ó 181			
		Chenillard de Couleur 5	182 ó 188			
		Chenillard de Couleur 6	189 ó 195			
		Chenillard de Couleur 7	196 ó 202			
		Chenillard de Couleur 1 (Laser + LED)	203 ó 209			
		Chenillard de Couleur 2 (Laser + LED)	210 ó 216			
		Chenillard de Couleur 3 (Laser + LED)	217 ó 223			
		Chenillard de Couleur 4 (Laser + LED)	224 ó 230			
	Chenillard de Couleur 5 (Laser + LED)	231 ó 237				
	Mélange de Couleurs RVB	238 ó 244	Rouge 0 à 100 %	Vert 0 à 100 %	Bleu 0 à 100 %	
	Fondu de Couleur	245 ó 251	Vitesse du fondu 0—100 %			
	Mode Musical (Fonctionnement Automatique)	252 ó 255				

7 Canaux (suite)	Canal	Fonction	Valeur	Pourcentage/Configuration
5	Couleur du Laser	000 ó 039	Noir général	
		040 ó 079	Rouge	
		080 ó 119	Vert	
		120 ó 159	Rouge + Vert	
		160 ó 199	Rouge allumé et stroboscope vert	
		200 ó 239	Vert allumé et stroboscope rouge	
		240 ó 255	Stroboscope alternant	
6	Stroboscope Laser	000 ó 004	Pas de stroboscope	
		005 ó 249	Stroboscope de lent à rapide	
		250 ó 255	Stroboscope en mode musical	
7	Rotation du Laser et Sélection de Motif	000 ó 019	Motif 1	
		020 ó 039	Motif 2	
		040 ó 059	Motif 3	
		060 ó 079	Motif 4	
		080 ó 099	Motif 5	
		100 ó 119	Motif 6	
		120 ó 255	Rotation lente à rapide	



En mode 7 canaux, les canaux 5 à 7 sont opérationnels quand le canal 1 est compris entre 238 et 251.

4 Canaux	Canal	Fonction	Valeur	Pourcentage/Configuration
1	Rouge	000 ó 255	0 à 100 %	
2	Vert	000 ó 255	0 à 100 %	
3	Bleu	000 ó 255	0 à 100 %	
4	Couleur du Laser	000ó à 010	Noir général	
		011 ó 063	Programmes automatiques avec stroboscope	
		064 ó 127	Laser rouge	
		128 ó 191	Vert laser	
		192 ó 255	Laser rouge et vert	

Configuration (Autonome)

Mettez l'appareil en l'un des modes autonomes pour permettre la commande sans jeu d'orgues.

- Branchez l'appareil à une prise adéquate.



Ne connectez jamais un appareil en fonctionnement en mode autonome (qu'il s'agisse du mode statique, automatique ou musical) à une chaîne DMX reliée à un jeu d'orgues DMX. Les unités en mode autonome peuvent émettre un signal DMX pouvant interférer avec les signaux DMX du jeu d'orgues.

Fonctionnement ACt Automatique

Pour activer le Fonctionnement ACt Automatique, faites comme suit :

1. Appuyez sur **MODE** jusqu'à ce que s'affiche sur l'écran **ACt**.
2. Appuyez sur **ENTER**.
3. Utilisez **UP** ou **DOWN** pour sélectionner le programme automatique désiré **A000—A036**.
4. Appuyez sur **ENTER**.

Certains programmes comporteront des fonctionnalités supplémentaires. Pour découvrir ces options, appuyez sur **ENTER** après avoir sélectionné un programme automatique. Ensuite, appuyez sur **UP** ou **DOWN** pour choisir le paramètre de votre choix. Tous les programmes ne comporteront pas forcément toutes les fonctionnalités additionnelles.

Fonction	Description
F000—F100	Vitesse du flash (lent à rapide)
P000—P100	Vitesse d'utilisation (lent à rapide)
L000—L006	Laser
C000—C100	Bleu (seulement disponible en A034)
S000—S100	Vitesse du stroboscope laser
r001—r016	Gobo laser

Mode Maître/Esclave

Le mode maître/esclave permet à un seul COLORstrip™ Mini FX (le « maître ») de commander la manière d'opérer de plusieurs COLORstrip™ Mini FX (les « esclaves ») sans jeu d'orgues DMX. L'unité maître sera configurée de manière à fonctionner soit en mode automatique soit en mode musical, tandis que les unités esclaves seront configurées en mode esclave. Une fois configurées et connectées, les unités esclaves fonctionneront à l'unisson avec l'unité maître.

Configurez les unités comme indiqué ci-dessous.

Unités esclaves :

1. Appuyez sur **MODE** jusqu'à ce que s'affiche sur l'écran **Sys**.
2. Appuyez sur **ENTER** et **SdAd** ou **SAAd** s'affichera à l'écran.
3. Utilisez **UP** ou **DOWN** pour sélectionner **SAAd**.
4. Appuyez sur **ENTER**.
5. Connectez l'entrée DMX de la première unité esclave à la sortie DMX de l'unité maître.
6. Connectez l'entrée DMX de l'unité esclave suivante à la sortie DMX de l'unité esclave précédente.
7. Terminez la configuration et raccordez toutes les unités esclaves.

Unité maître :

1. Configurez l'unité maître afin qu'elle fonctionne soit en mode ACt automatique soit en mode musical.
2. Placez l'unité maître en début de la chaîne DMX.



- **Configurez toutes les unités esclaves afin de connecter l'unité maître à la chaîne DMX.**
- **Ne connectez jamais de jeu d'orgues DMX à une chaîne DMX configurée en fonctionnement maître/esclave car le jeu d'orgues pourrait interférer avec les signaux de l'unité maître.**
- **Ne connectez jamais plus de 31 unités esclave à l'unité maître.**

Télécommande Infrarouge

Le COLORstrip™ Mini FX est entièrement compatible avec la télécommande infrarouge incluse.

Pour en configurer l'utilisation avec la télécommande IR, faites comme suit :

1. Appuyez sur **MODE** jusqu'à ce que s'affiche sur l'écran **rEM**.
2. Appuyez sur **ENTER**.

Les boutons suivants sont utilisés avec le COLORstrip™ Mini FX.

- **AUTO** active le fonctionnement automatique.
- **MUSIC** active le mode musical.
- **0** à **9** sélectionne le mode chenillard.

Appuyez sur **A** puis sur **PREV** ou **NEXT** pour sélectionner la couleur de la LED (**0-7**).

Appuyez sur **B** puis sur **PREV** ou **NEXT** pour sélectionner la couleur du laser (**0-3**).

Appuyez sur **C** puis sur **PREV** ou **NEXT** pour sélectionner le gobo de laser (**0-6**).

5. INFORMATIONS TECHNIQUES

Entretien de l'Appareil

L'accumulation de poussière réduit la sortie de lumière et peut entraîner une surchauffe de l'appareil. Pour un fonctionnement optimal, nettoyez l'appareil au moins deux fois par mois. Les conditions environnementales et d'utilisation peuvent toutefois exiger un nettoyage plus fréquent.

Pour nettoyer le produit, suivez les instructions comme indiquées ci-après :

1. Mettez l'appareil hors tension.
2. Attendez que celui-ci soit à température de la pièce.
3. Utilisez un aspirateur (ou de l'air comprimé sec) et une brosse douce pour enlever la poussière accumulée sur les surfaces et ventilations externes.
4. Nettoyez le panneau de verre (ouverture du laser) avec un nettoyant pour vitre ou de l'alcool isopropylique.
5. Appliquez la solution directement sur un tissu doux en coton non pelucheux ou un tissu optique.
6. Nettoyez en douceur toute trace de saleté ou d'impureté vers les bords extérieurs des surfaces en verre.
7. Polissez en douceur ces surfaces jusqu'à ce que toute peluche ou trace ait disparu.



Assurez-vous de bien sécher toutes les surfaces en verre après les avoir nettoyées.

6. SPECIFICITES TECHNIQUES

Dimensions et Poids	Longueur	Largeur	Hauteur	Poids
	19 pouces (483 mm)	2,4 pouces (60 mm)	6,6 pouces (169 mm)	4,2 lb (2 kg)

À noter : Les dimensions en pouces sont arrondies à la décimale la plus proche.

Alimentation	Tension d'Entrée	Plage	Sélection de Puissance
	Commutation (interne)	100 à 240 VCA, 50/60 Hz	Universelle
Paramètre	120 V, 60 Hz	230 V, 50 Hz	
Consommation	28 W	26 W	
Courant de fonctionnement	0,4 A	0,2 A	
Courant de chaînage (unités)	8 A (20 unités)	8 A (38 unités)	
Fusible	T 1 A, 250 V	T 1 A, 250 V	
E/S d'Alimentation	États-Unis/Monde Entier	Royaume-Uni/Europe	
Prise du cordon d'alimentation	Edison (États-Unis)	Prise locale	

Source Lumineuse

Laser	Type	Alimentation	Longueur d'Onde
	Laser (vert)	50 mW	532 nm
Laser (rouge)	100 mW	650 nm	
LED	Type	Alimentation	Durée de Vie
	LED	0,25 W	100 000 heures
	Couleur	Quantité	Courant
	Rouge	63	20 mA
	Vert	64	20 mA
Bleu	63	20 mA	

Photo-optique	Paramètre	
	Éclairage lumineux à 2 m	444 lx
	Angle de couverture du faisceau laser :	100°
	Angle de champ	38°
	Angle de faisceau	22°

Thermique	Température Externe Maximale	Système de Refroidissement
	104°F (40°C)	Convection

DMX	Connecteurs E/S	Type de Connecteur	Plage de Canal
	XLR 3 broches	Prises	4, 7

Commander	Nom de l'Appareil	Code de l'article	Code UPC
	COLORstrip™ Mini FX	10030762	781462211103



Renvois

- Pour assistance ou renvoi d'un produit :
- Si vous résidez aux États-Unis, contactez le siège mondial de CHAUVET® (voir coordonnées ci-après).
 - Si vous vivez au Royaume-Uni ou en Irlande, contactez CHAUVET® Europe Ltd.
 - Si vous résidez n'importe où ailleurs, NE contactez pas CHAUVET®. Veuillez plutôt contacter votre revendeur local. Rendez-vous sur www.chauvetlighting.com pour découvrir la liste des revendeurs en dehors des États-Unis, du Royaume-Uni et de l'Irlande.



Si vous résidez en dehors des États-Unis, du Royaume-Uni et de l'Irlande, contactez votre revendeur et suivez ses instructions quant à la procédure à suivre pour renvoyer votre appareil. Consultez notre site Web pour en trouver les coordonnées.

Téléphonez au centre d'assistance technique de CHAUVET® correspondant et demandez un numéro d'autorisation de retour (NAR) avant de nous réexpédier l'appareil. Pour l'obtenir, il vous sera demandé de fournir le numéro du modèle, le numéro de série ainsi qu'une brève description de l'objet du retour.

Envoyez la marchandise en port prépayé, dans son conditionnement d'origine, avec son emballage et ses accessoires d'origine. CHAUVET® ne délivrera pas d'étiquettes de renvoi.

Indiquez lisiblement le NAR sur une étiquette apposée sur le colis. CHAUVET® refusera la réception de tout appareil pour lequel aucun NAR n'a été demandé.



Inscrivez le NAR sur une étiquette convenablement collée. N'écrivez PAS le NAR directement sur le colis.

Avant de nous retourner le colis, inscrivez les informations suivantes, de manière lisible, sur une feuille de papier, que vous placerez à l'intérieur du colis :

- Votre nom
- Votre adresse
- Votre numéro de téléphone
- Le numéro NAR
- Une courte description du problème

Veillez à emballer l'appareil de manière adéquate. Vous serez tenu responsable de tout dommage survenant lors de l'expédition de retour dû à un emballage inadéquat. Nous vous recommandons d'utiliser un emballage double ou celui de FedEx.



CHAUVET® se réserve le droit, à sa convenance, de réparer ou remplacer tout appareil qui lui est retourné.

Nous Contacter

CHAUVET® Siège Mondial Informations Générales

Adresse: 5200 NW 108th Avenue
Sunrise, FL 33351
Téléphone: +1 954 577-4455
Fax: +1 954 929 5560
Numéro Vert: 1-800-762-1084

Soutien Technique

Téléphone: +1 954 929-1115 (appuyez 4)
Fax: +1 954 756-8015
Email: tech@chauvetlighting.com

Website

www.chauvetlighting.com

CHAUVET® Europe Ltd. Royaume-Uni & Irlande Informations Générales

Adresse: Unit 1C
Brookhill Road Industrial Estate
Pinxton, Nottingham, UK
NG16 6NT
Téléphone: +44 (0)1773 511115
Fax: +44 (0)1773 511110

Soutien Technique

Email: uktech@chauvetlighting.com

Website

www.chauvetlighting.co.uk