

CubixTM 2.0

User Manual

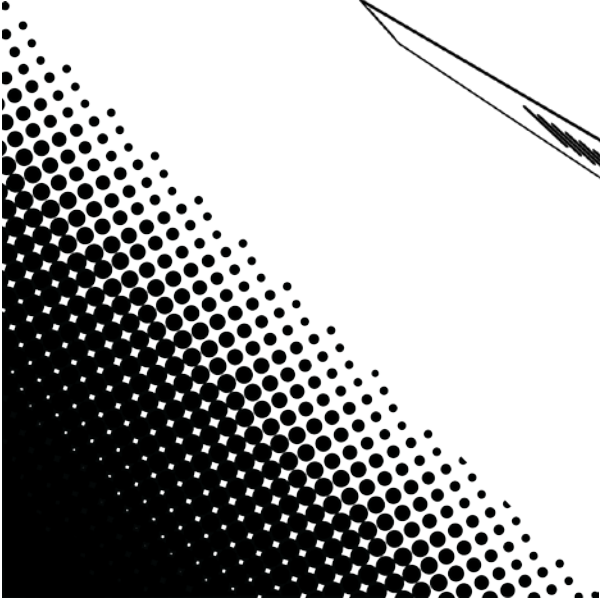
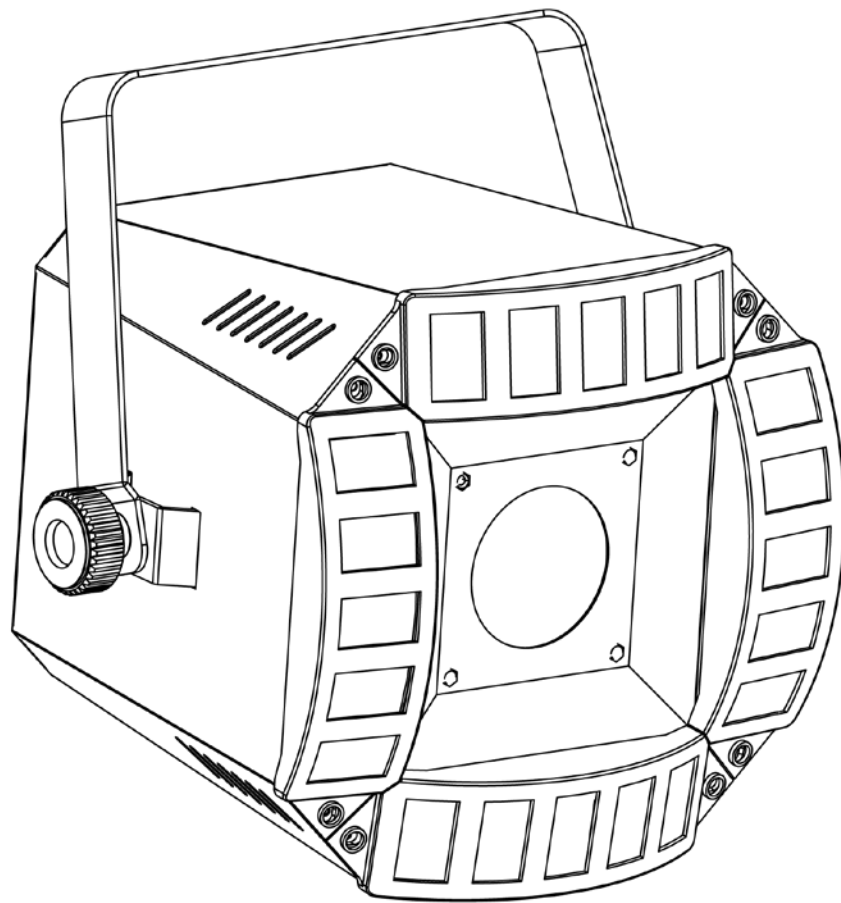


TABLE OF CONTENTS

1. Before You Begin	3
What Is Included	3
Unpacking Instructions	3
Claims.....	3
Text Conventions	3
Symbols	3
Disclaimer	3
Product at a Glance	4
Safety Notes.....	4
2. Introduction	5
Product Overview	5
Product Dimensions	6
3. Setup	7
AC Power	7
Fuse Replacement	7
Power Linking	7
Mounting	8
Orientation	8
Rigging	8
4. Operation	9
Control Panel Operation.....	9
Menu Map	9
Configuration (DMX)	9
Starting Address	9
DMX Channel Assignments and Values	10
6-CH	10
6-CH (cont.)	11
Configuration (Standalone)	11
Automatic Mode.....	11
Sound-Active Mode	11
Master/Slave Mode.....	12
5. Maintenance	12
Product Maintenance	12
6. Technical Specifications	13
Returns	14
Contact Us	14

1. BEFORE YOU BEGIN

What Is Included

- Cubix™ 2.0
- Power Cord
- Warranty Card
- Quick Reference Guide

Unpacking Instructions

Carefully unpack the product immediately and check the container to make sure all the parts are in the package and are in good condition.

Claims




If the box or the contents (the product and included accessories) appear damaged from shipping, or show signs of mishandling, notify the carrier immediately, not CHAUVET®. Failure to report damage to the carrier immediately may invalidate your claim. In addition, keep the box and contents for inspection.

For other issues, such as missing components or parts, damage not related to shipping, or concealed damage, file a claim with CHAUVET® within 7 days of delivery.

Text Conventions

Convention	Meaning
1—512	A range of values
50/60	A set of values of which only one can be chosen
Settings	A menu option not to be modified
Menu > Settings	A sequence of menu options to be followed
<ENTER>	A key to be pressed on the product's control panel
ON	A value to be entered or selected

Symbols

Symbol	Meaning
	Critical installation, configuration, or operation information. Not following these instructions may make the product not work, cause damage to the product, or cause harm to the operator.
	Important installation or configuration information. The product may not function correctly if this information is not used.
	Useful information.

Disclaimer

The information and specifications contained in this document are subject to change without notice. CHAUVET® assumes no responsibility or liability for any errors or omissions that may appear in this manual. CHAUVET® reserves the right to update the existing document or to create a new document to correct any errors or omissions.

You can download the latest version of this document from www.chauvetlighting.com.

© Copyright 2013 CHAUVET®. All rights reserved.

Electronically published by CHAUVET® in the United States of America.

Author	Date	Editor	Updated
A. Leon	10/04/13	D. Coupe	10/04/13

Product at a Glance

Use on Dimmer	X	Auto Programs	P
Outdoor Use	X	Auto-ranging Power Supply	P
Sound-Active	P	Replaceable Fuse	P
DMX	P	User-Serviceable	X
Master/Slave	P		

Safety Notes

Please read the following Safety Notes carefully before working with the product. The Notes include important safety information about installation, usage, and maintenance.



- Always connect the product to a grounded circuit to avoid the risk of electrocution.
- Always disconnect the product from the power source before cleaning or replacing the fuse.
- Avoid direct eye exposure to the light source while the product is on.
- Make sure the power cord is not crimped or damaged.
- Never disconnect the product from power cord by pulling or tugging on the cord.
- If mounting the product overhead, always secure to a fastening device using a safety cable.
- Make sure there are no flammable materials close to the product when operating.
- Do not touch the product's housing when operating because it may be very hot.



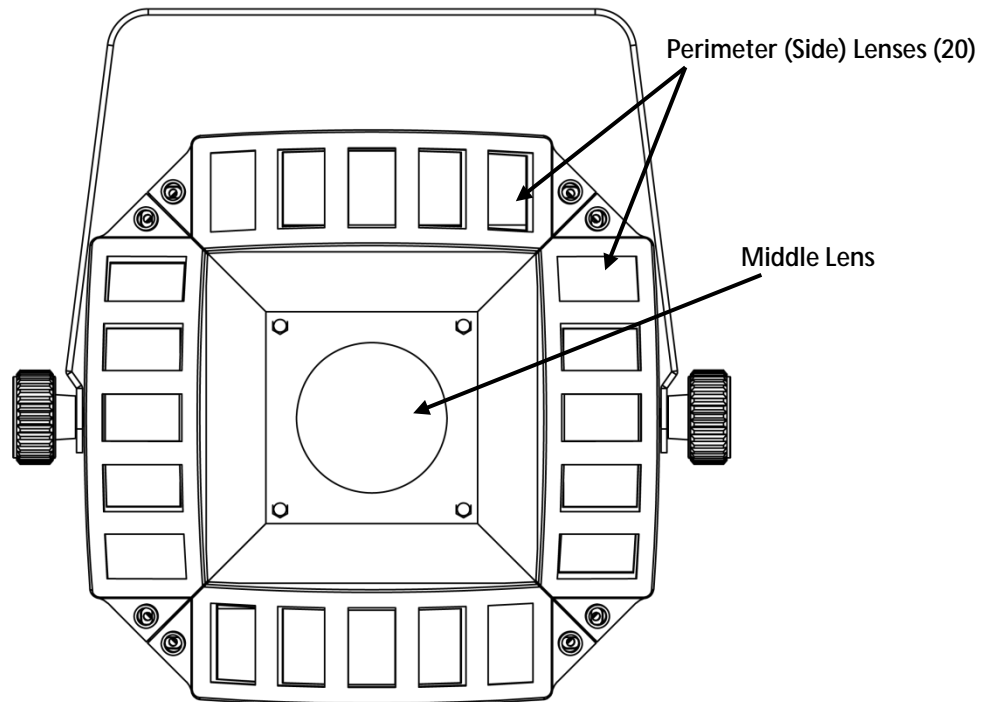
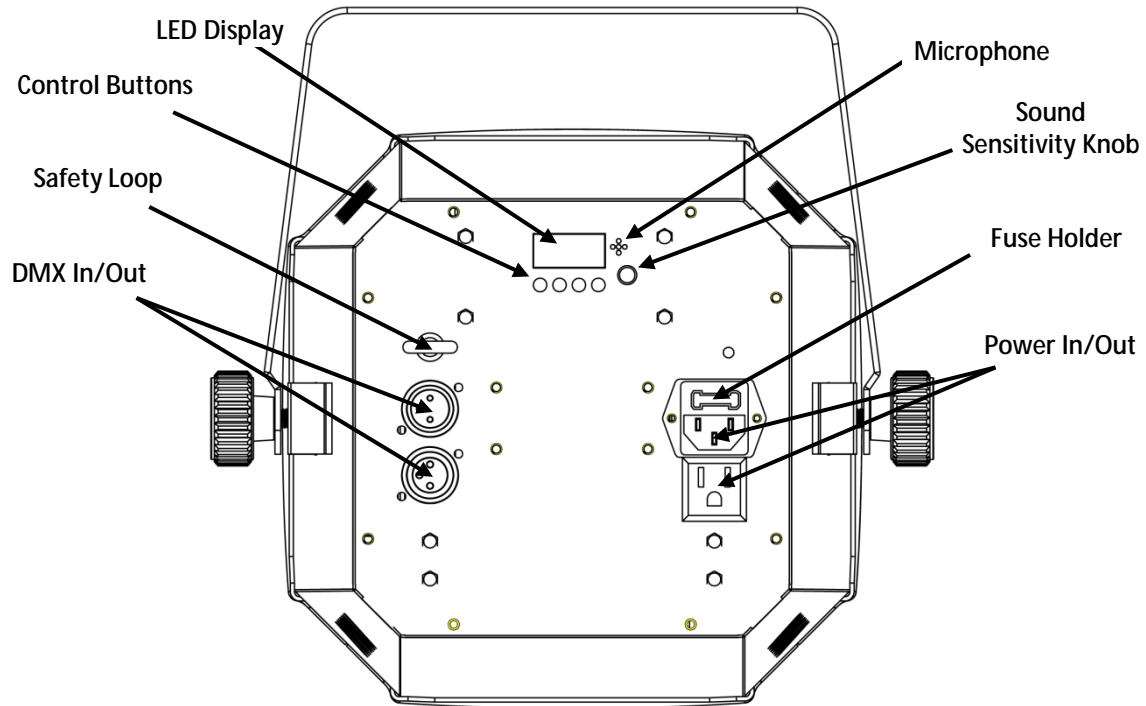
- Always make sure that the voltage of the outlet to which you are connecting the product is within the range stated on the decal or rear panel of the product.
- The product is for indoor use only! (IP20) To prevent risk of fire or shock, do not expose the product to rain or moisture.
- Always install the product in a location with adequate ventilation, at least 20 in (50 cm) from adjacent surfaces.
- Be sure that no ventilation slots on the product's housing are blocked.
- Never connect the product to a dimmer.
- Make sure to replace the fuse with another of the same type and rating.
- Never carry the product from the power cord or any moving part. Always use the hanging/mounting bracket.
- The maximum ambient temperature (Ta) is 104 °F (40 °C). Do not operate the product at higher temperatures.
- In the event of a serious operating problem, stop using the product immediately.
- Never try to repair the product. Repairs carried out by unskilled people can lead to damage or malfunction. Please contact the nearest authorized technical assistance center.



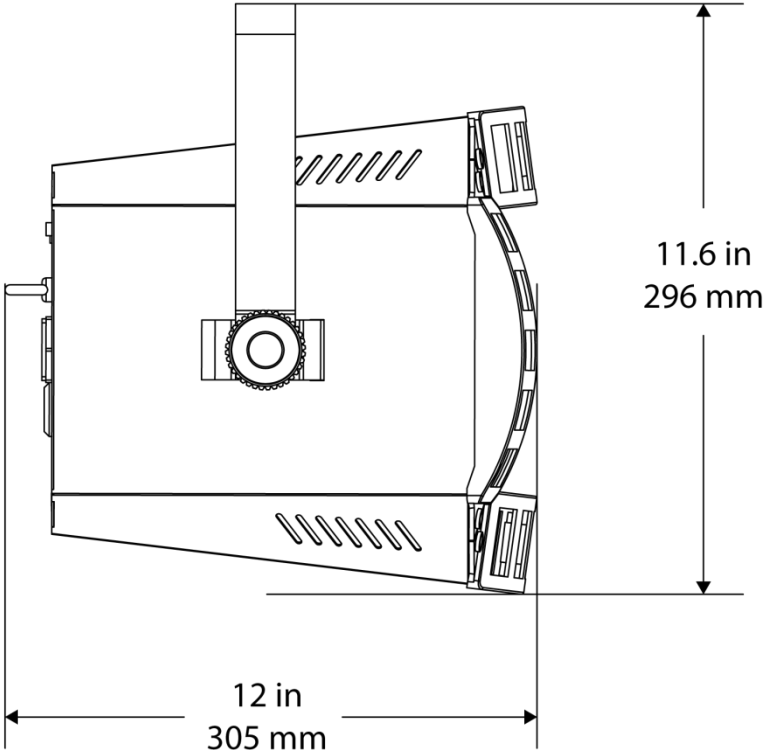
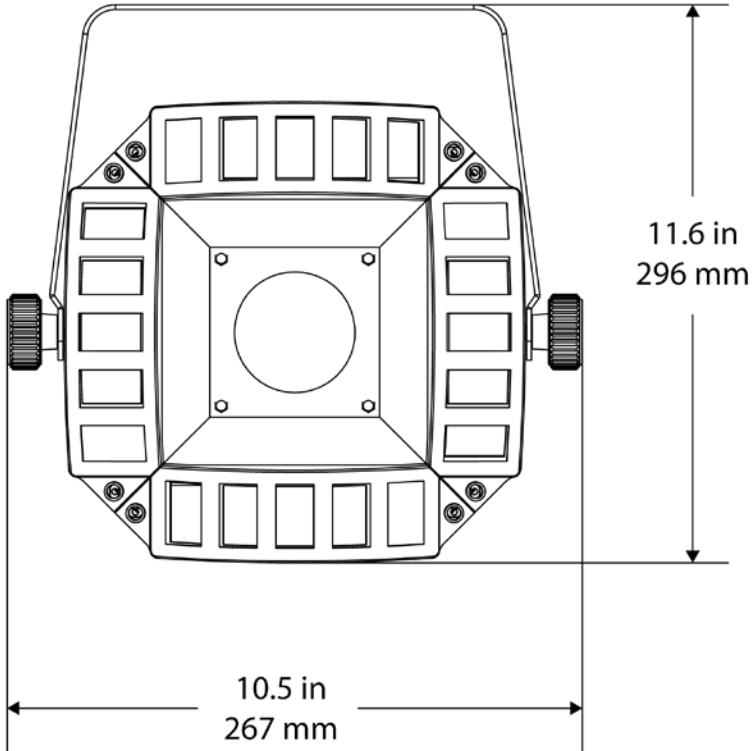
- Keep this User Manual for future use. If you sell the product to someone else, be sure that they also receive this document.

2. INTRODUCTION

Product Overview



Product Dimensions



3. SETUP

AC Power

The Cubix™ 2.0 has an auto-ranging power supply and it can work with an input voltage range of 100 to 240 VAC, 50/60 Hz. To determine the product's power requirements (circuit breaker, power outlet, and wiring), use the current value listed on the label affixed to the product's back panel, or refer to the product's specifications chart. The listed current rating indicates the product's average current draw under normal conditions.



Always connect the product to a protected circuit (circuit breaker or fuse). Make sure the product has an appropriate electrical ground to avoid the risk of electrocution or fire.



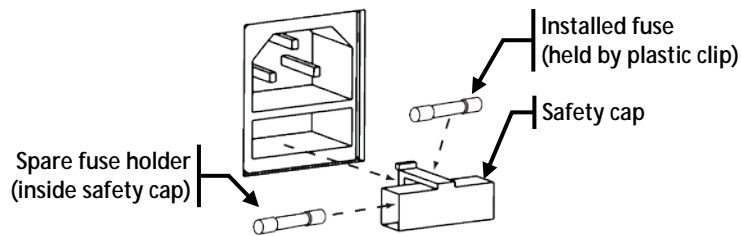
Never connect the product to a rheostat (variable resistor) or dimmer circuit, even if the rheostat or dimmer channel serves only as a 0 to 100% switch.



Disconnect the product from the power outlet before replacing the fuse.

Fuse Replacement

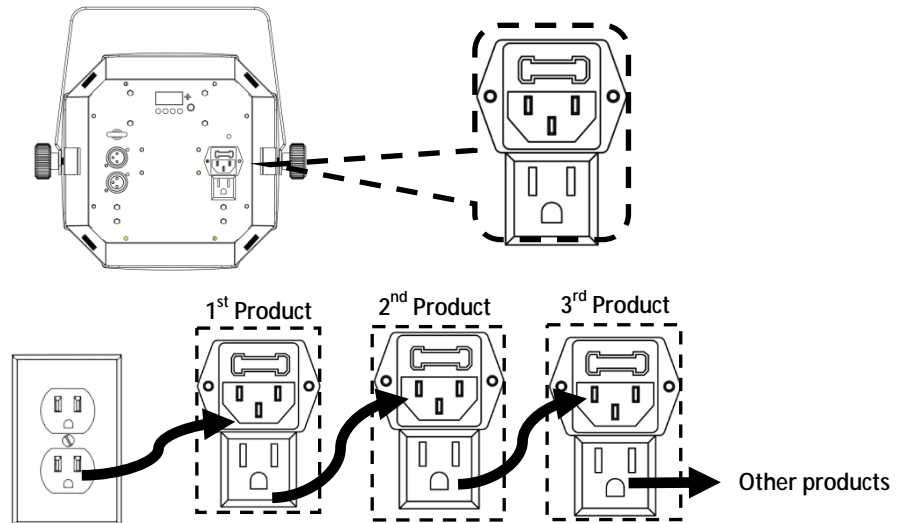
1. Wedge the tip of a flat-head screwdriver into the slot of the fuse holder.
2. Pry the fuse holder out of the housing.
3. Remove the blown fuse from the holder and replace with a fuse of the exact same type and rating.
4. Insert the fuse holder back in place and reconnect power.



Power Linking

The product provides power linking via the Edison outlet located in the back of the unit. Please see the diagram below for further explanation.

Power Linking Diagram



You can power link up to 19 Cubix™ 2.0 units on 120 VAC or up to 32 Cubix™ 2.0 units on 230 VAC.



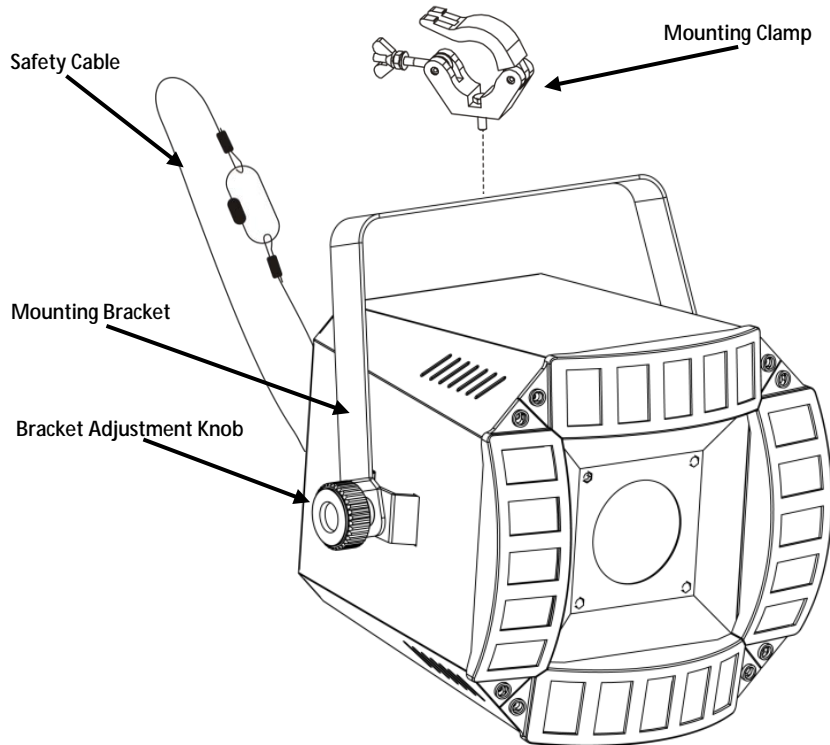
The power linking diagram corresponds to the North American version of the product ONLY! If using the product in other markets, you must consult with the local CHAUVET® distributor as power linking connectors and requirements may differ in your country or region.

Mounting Before mounting the product, read and follow the safety recommendations indicated in the [Safety Notes](#).

Orientation The Cubix™ 2.0 may be mounted in any position; however, make sure adequate ventilation is provided around the product.

- Rigging**
- Before deciding on a location for the product, always make sure there is easy access to the product for maintenance and programming purposes.
 - Make sure that the structure onto which you are mounting the product can support the product's weight. See the [Technical Specifications](#) for weight information.
 - When mounting the product overhead, always use a safety cable. Mount the product securely to a rigging point, whether an elevated platform or a truss.
 - When rigging the product onto a truss, use a mounting clamp of appropriate weight capacity.
 - When power linking multiple products, mount the products close enough for power linking cables to reach.
 - The bracket adjustment knobs allow for directional adjustment when aiming the product to the desired angle. Only loosen or tighten the bracket knobs manually. Using tools could damage the knobs.

Mounting Diagram



4. OPERATION

Control Panel Operation

To access the control panel functions, use the four buttons located underneath the display. Please refer to the [Product Overview](#) to see the button locations on the control panel.

Button	Function
<MENU>	Press to find an operation mode or to back out of the current menu option
<UP>	Press to scroll up the list of options or to find a higher value
<DOWN>	Press to scroll down the list of options or to find a lower value
<ENTER>	Press to activate a menu option or a selected value

Menu Map

Mode	Programming Steps		Description
DMX Address	512	d__1—d512	Sets the DMX starting address
Auto Programs	AUTO		Sets Auto program
Auto Program Speed	S--	S__1—S100	Selects Auto program speed (slow to fast)
Sound-Active Mode	SNd		Sets Sound-Active mode

Configuration (DMX)

Set the product in DMX mode to control with a DMX controller.

1. Connect the product to a suitable power outlet.
2. Connect a DMX cable from the DMX output of the DMX controller to the DMX input socket on the product.

Starting Address

When selecting a starting DMX address, always consider the number of DMX channels the selected DMX mode uses. If you choose a starting address that is too high, you could restrict the access to some of the product's channels.

The Cubix™ 2.0 uses up to 6 DMX channels, which defines the highest configurable address to **507**.

If you are not familiar with the DMX protocol, download the DMX Primer from www.chauvetlighting.com.

To select the starting address, do the following:

1. Press <MENU> repeatedly until **512** shows on the display.
2. Press <ENTER>.
3. Use <UP> or <DOWN> to select the starting address.
4. Press <ENTER>.

DMX Channel Assignments and Values

6-CH	Channel	Function	Value	Setting	
1	Colors		000 ó 004	No function	Side Lenses
			005 ó 028	Red	
			029 ó 056	Green	
			057 ó 084	Blue	
			085 ó 112	Cyan	
			113 ó 140	Purple	
			141 ó 168	Yellow	
			169 ó 197	White	
			198 ó 224	3-Color switching	
			225 ó 255	7-Color switching	
2	Strobe		000 ó 004	No function	
			005 ó 255	0 to 30 Hz	
3	Motor Rotation		000 ó 127	Rotation with indexing	
			128 ó 255	Back and forth with increasing distance	
4	Auto Programs		000 ó 014	Blackout	Middle Lens
			015 ó 020	Auto program 1	
			021 ó 026	Auto program 2	
			027 ó 032	Auto program 3	
			033 ó 038	Auto program 4	
			039 ó 044	Auto program 5	
			045 ó 050	Auto program 6	
			051 ó 056	Auto program 7	
			057 ó 062	Auto program 8	
			063 ó 068	Auto program 9	
			069 ó 074	Auto program 10	
			075 ó 080	Auto program 11	
			081 ó 086	Auto program 12	
			087 ó 092	Auto program 13	
			093 ó 098	Auto program 14	
			099 ó 104	Auto program 15	
			105 ó 110	Auto program 16	
			111 ó 116	Auto program 17	
			117 ó 122	Auto program 18	
			123 ó 128	Auto program 19	
129 ó 134	Auto program 20				

6-CH (cont.)	Channel	Function	Value	Setting	
4 (cont.)	Auto Programs (cont.)		135 ó 140	Auto program 21	Middle Lens
			141 ó 146	Auto program 22	
			147 ó 152	Auto program 23	
			153 ó 158	Auto program 24	
			159 ó 164	Auto program 25	
			165 ó 170	Auto program 26	
			171 ó 176	Auto program 27	
			177 ó 182	Auto program 28	
			183 ó 188	Auto program 29	
			189 ó 194	Auto program 30	
			195 ó 200	Auto program 31	
			201 ó 206	Auto program 32	
			207 ó 212	Auto program 33	
			213 ó 218	Auto program 34	
			219 ó 224	Auto program 35	
			225 ó 230	Auto program 36	
			231 ó 236	Auto program 37	
			237 ó 242	Auto program 38	
			243 ó 248	Auto program 39	
			249 ó 255	Auto program 40	
5	Auto Program Speed		000 ó 015	No function	Middle Lens
			016 ó 255	0 to 100% (when Ch. 4 is 015 to 255)	
6	Strobe		000 ó 015	No function	
			016 ó 255	0 to 30 Hz	

Configuration (Standalone) Set the product in one of the standalone modes to control without a DMX controller.

- Connect the product to a suitable power outlet.



Never connect a product that is operating in any standalone mode to a DMX string connected to a DMX controller. Products in standalone mode may transmit DMX signals that could interfere with the DMX signals from the controller.

Automatic Mode To enable the Automatic mode, follow the instructions below:

1. Press **<MENU>** repeatedly until **AUTO** shows on the display.
2. Press **<ENTER>**.

Sound-Active Mode To enable the Sound-Active mode, do the following:

1. Press **<MENU>** repeatedly until **Snd** shows on the display.
2. Press **<ENTER>**.
3. Turn the music on and adjust the sound sensitivity knob until the product starts responding to the beat of the music.

Master/Slave Mode

The Master/Slave mode allows a single Cubix™ 2.0 unit (the “master”) to control the actions of one or more Cubix™ 2.0 units (the “slaves”) without the need of a DMX controller. The master unit will be set to operate in either Automatic or Sound-Active mode, while the slave units will be set to operate in Slave mode. Once set and connected, the slave units will operate in unison with the master unit.

Configure the units as indicated below.

Slave units:

1. Press **<MENU>** repeatedly until **512** shows on the display.
2. Press **<ENTER>** to accept.
3. Set the DMX address to **001**.
4. Connect the DMX input of the first slave unit to the DMX output of the master unit.
5. Connect the DMX input of the subsequent slave units to the DMX output of the previous slave unit.
6. Finish setting and connecting all the slave units.

Master unit:

1. Set the master unit to operate in either Automatic or Sound-Active mode.
2. Make the master unit the first unit in the daisy chain.



- **Configure all the slave units before connecting the master unit to the daisy chain.**
- **Never connect a DMX controller to a DMX string configured for Master/Slave operation because the controller may interfere with the signals from the master unit.**
- **Do not connect more than 31 slave units to the master unit.**

5. MAINTENANCE

Product Maintenance

Dust build-up reduces light output performance and can cause overheating. This can lead to reduction of the light source's life and/or mechanical wear. To maintain optimum performance and minimize wear, clean your lighting products at least twice a month. However, be aware that usage and environmental conditions could be contributing factors to increase the cleaning frequency.

To clean the product, follow the instructions below:

- Unplug the product from power.
- Wait until the product is at room temperature.
- Use a vacuum (or dry compressed air) and a soft brush to remove dust collected on the external surface/vents.
- Clean all transparent surfaces with a mild soap solution, ammonia-free glass cleaner, or isopropyl alcohol.
- Apply the solution directly to a soft, lint free cotton cloth or a lens cleaning tissue.
- Softly drag any dirt or grime to the outside of the transparent surface.
- Gently polish the transparent surfaces until they are free of haze and lint.



Always dry the transparent surfaces carefully after cleaning them.

6. TECHNICAL SPECIFICATIONS

Dimensions and Weight	Length	Width	Height	Weight
	10.5 in (267 mm)	12 in (305 mm)	11.6 in (296 mm)	8.1 lb (3.7 kg)
Note: Dimensions in inches rounded to the nearest decimal digit.				
Power	Power Supply Type	Range	Voltage Selection	
	Switching (internal)	100 to 240 V, 50/60 Hz	Auto-ranging	
	Parameter	120 V, 60 Hz	230 V, 50 Hz	
	Consumption	50 W	48 W	
	Operating	0.4 A	0.2 A	
	Power linking current (units)	8 A (19 units)	8 A (32 units)	
	Fuse	F 1 A, 250 V	F 1 A, 250 V	
Power I/O	Power I/O	U.S./Worldwide	UK/Europe	
	Power input connector	IEC	IEC	
	Power output connector	Edison	IEC	
	Power Cord plug	Edison (U.S.)	Local plug	
Light Source Side Lenses	Type	Power	Lifespan	
	LED	0.25 W	100,000 hours	
	Color	Quantity	Current	
	Red (5 mm)	32	20 mA	
Green (5 mm)	20	20 mA		
Blue (5 mm)	12	20 mA		
Light Source Middle Lens	Type	Power	Type	Lifespan
	LED	9 W		50,000 hours
	Color	Quantity	Current	
	Tri-color	2	500 mA	
Photo Optic	Parameter			
	Coverage angle	111°		
Thermal	Maximum External Temp.	Cooling System		
	104 °F (40 °C)	Convection		
DMX	I/O Connectors	Channel Range		
	3-pin XLR	6		
Ordering	Product Name	Item Code	UPC Number	
	Cubix™ 2.0	03050528	781462208769	



UL 1573
CSA C22.2 No. 166
E113093



RoHS



To return a product or request support:

- In the U.S., contact CHAUVET® World Headquarters (see below).
- In the UK or Ireland, contact CHAUVET® Europe Ltd. (see below).
- In any other country, DO NOT contact CHAUVET®. Instead, contact your lighting distributor. See www.chauvetlighting.com for distributors outside the U.S., UK, or Ireland.



Outside the U.S., UK, or Ireland, contact your distributor and follow their instructions on how to return CHAUVET® products to them. Visit our website for contact details.

Returns

Call the corresponding CHAUVET® Technical Support office and request a Return Merchandise Authorization (RMA) number before shipping the product. Be prepared to provide the model number, serial number, and a brief description of the cause for the return.

You must send the merchandise prepaid, in its original box, and with its original packing and accessories. CHAUVET® will not issue call tags.

Clearly label the package with the RMA number. CHAUVET® will refuse any product returned without an RMA number.



Write the RMA number on a properly affixed label. DO NOT write the RMA number directly on the box.

Before sending the product, clearly write the following information on a piece of paper and place it inside the box:

- Your name
- Your address
- Your phone number
- RMA number
- A brief description of the problem

Be sure to pack the product properly. Any shipping damage resulting from inadequate packaging will be your responsibility. FedEx packing or double-boxing are recommended.



CHAUVET® reserves the right to use its own discretion to repair or replace returned product(s).

Contact Us

World Headquarters

CHAUVET®

General Information

Address: 5200 NW 108th Avenue
Sunrise, FL 33351
Voice: (954) 577-4455
Fax: (954) 929-5560
Toll free: (800) 762-1084

Technical Support

Voice: (954) 577-4455 (Press 4)
Fax: (954) 756-8015
Email: tech@chauvetlighting.com

World Wide Web

www.chauvetlighting.com

United Kingdom & Ireland

CHAUVET® Europe Ltd.

General Information

Address: Unit 1C
Brookhill Road Industrial Estate
Pinxton, Nottingham, UK
NG16 6NT
Voice: +44 (0)1773 511115
Fax: +44 (0)1773 511110

Technical Support

Email: uktech@chauvetlighting.com

World Wide Web

www.chauvetlighting.co.uk