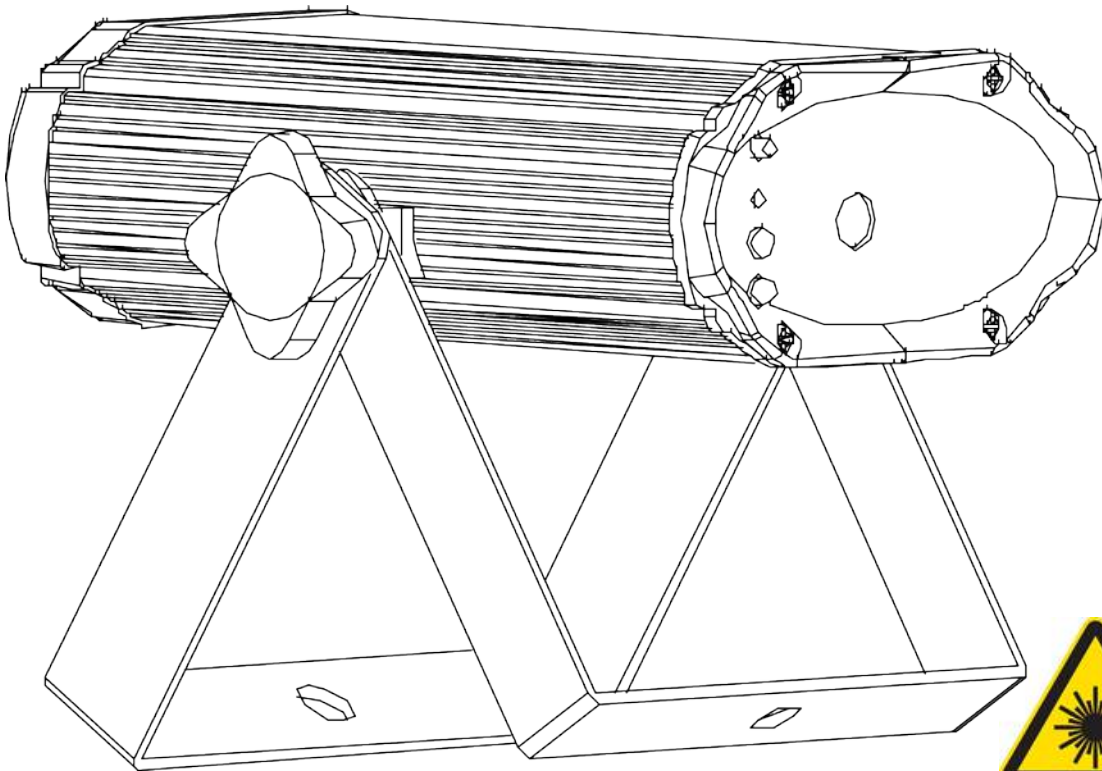




User Manual

English
Español
Français



LASER LIGHT
AVOID DIRECT EYE EXPOSURE
CLASS 3R Laser PRODUCT

CLASSIFIED PER EN/IEC 60825-1:2007
Complies with FDA performance standards for
laser products except for deviations pursuant
to Laser Notice No. 50, dated June 24, 2007.



CHAUVET®

TABLE OF CONTENTS

| | |
|--|-----------|
| 1. Before You Begin | 5 |
| What is Included | 5 |
| Unpacking Instructions | 5 |
| Claims | 5 |
| Manual Conventions..... | 5 |
| Symbols..... | 5 |
| Disclaimer..... | 5 |
| Safety Notes..... | 6 |
| Non-Interlocked Housing Warning..... | 7 |
| Laser Safety Notes..... | 7 |
| Laser Safety Label Reproduction | 8 |
| Laser Exposure Warning..... | 9 |
| Laser Emission Data | 9 |
| 2. Introduction | 10 |
| Overview..... | 10 |
| Dimensions..... | 11 |
| 3. Setup | 12 |
| AC Power | 12 |
| Charging the Battery | 12 |
| Battery Runtime..... | 12 |
| Battery Maintenance..... | 12 |
| Mounting..... | 13 |
| Orientation | 13 |
| Rigging | 13 |
| Proper Usage | 14 |
| 4. Operation | 15 |
| Manual Mode..... | 15 |
| Wireless Remote (IR) | 15 |
| 5. Technical Information | 16 |
| Product Maintenance | 16 |
| 6. Technical Specifications | 17 |
| Returns | 18 |
| Contact Us | 19 |

| | |
|---|-----------|
| 1. Antes de Empezar | 20 |
| Qué va Incluido..... | 20 |
| Instrucciones de Desembalaje | 20 |
| Reclamaciones..... | 20 |
| Convenciones del Manual | 20 |
| Símbolos..... | 20 |
| Exención de Responsabilidad | 20 |
| Notas de Seguridad..... | 21 |
| Advertencia sobre Carcasa no Cerrada | 22 |
| Notas de Seguridad sobre Láser..... | 22 |
| Reproducción de la Etiqueta de Seguridad del Láser..... | 24 |
| Advertencia sobre Exposición al Láser..... | 25 |
| Datos de Emisión Láser | 25 |
| 2. Introducción | 26 |
| Vista General..... | 26 |
| Dimensiones..... | 27 |
| 3. Instalación | 28 |
| Corriente Alterna | 28 |
| Cargar la Batería | 28 |
| Duración de la Batería..... | 28 |
| Mantenimiento de la Batería..... | 28 |
| Montaje..... | 29 |
| Orientación | 29 |
| Colocación..... | 29 |
| Uso Adecuado..... | 30 |
| 4. Funcionamiento..... | 31 |
| Modo Manual..... | 31 |
| Mando a Distancia Inalámbrico (IR)..... | 31 |
| 5. Información Técnica | 32 |
| Mantenimiento del Producto..... | 32 |
| 6. Especificaciones Técnicas | 33 |
| Devoluciones..... | 34 |
| Contacto | 35 |

| | |
|---|-----------|
| 1. Avant de Commencer | 36 |
| Ce Qui est Compris | 36 |
| Instructions Relatives au Déballage | 36 |
| Réclamations..... | 36 |
| Conventions de ce Manuel..... | 36 |
| Symboles..... | 36 |
| Clause de Non-Responsabilité..... | 36 |
| Consignes de Sécurité | 37 |
| Avertissement : Boîtier non Verrouillable..... | 39 |
| Consignes de Sécurité Relatives au Laser..... | 39 |
| Reproductions des Etiquettes en Matière de Sécurité des Appareils Laser | 41 |
| Avertissement d'Exposition au Laser..... | 42 |
| Données d'Emission Laser..... | 42 |
| 2. Introduction | 43 |
| Aperçu | 43 |
| Dimensions..... | 44 |
| 3. Configuration..... | 45 |
| Alimentation CA..... | 45 |
| Chargement de la Batterie | 45 |
| Autonomie de la Batterie | 45 |
| Entretien de la Batterie | 45 |
| Installation | 46 |
| Orientation | 46 |
| Suspension..... | 46 |
| Utilisation Adéquate..... | 47 |
| 4. Fonctionnement | 48 |
| Mode Manuel..... | 48 |
| Télécommande Sans Fil (Infrarouge)..... | 48 |
| 5. Informations Techniques..... | 49 |
| Entretien de l'Appareil | 49 |
| 6. Spécificités Techniques..... | 50 |
| Renvois | 51 |
| Nous contacter | 52 |

1. BEFORE YOU BEGIN

What is Included

- EZMiN™ Laser FX/RBX
- External power supply
- Hanging bracket with mounting hardware
- Flexible tripod
- IR remote
- Warranty card
- User Manual

Unpacking Instructions

Carefully unpack the product immediately and check the box to make sure all the parts are in the package and are in good condition.

Claims




If the box or the contents (the product and included accessories) appear damaged from shipping or show signs of mishandling, notify the carrier immediately, not Chauvet. Failure to do so in a timely manner may invalidate your claim with the carrier. In addition, keep the container and all the packing material for inspection.

For other issues, such as missing components or parts, damage not related to shipping, or concealed damage, file a claim with Chauvet within 7 days of delivery.

Manual Conventions

| Convention | Meaning |
|---------------------------|--|
| 1—512 | A range of values |
| 50/60 | A set of values of which only one can be chosen |
| Settings | A menu option not to be modified |
| Menu > Settings | A sequence of menu options to be followed |
| ENTER | A key to be pressed on the product's control panel |
| ON | A value to be entered or selected |

Symbols

| Symbol | Meaning |
|---|--|
|  | Critical installation, configuration, or operation information. Ignoring this information can cause the product to not work, damage it, or cause harm to the operator. |
|  | Important installation or configuration information. The product may not function correctly if this information is not used. |
|  | Useful information. |

Disclaimer

The information and specifications contained in this document are subject to change without notice. Chauvet assumes no responsibility or liability for any errors or omissions that may appear in this manual, and reserves the right to revise or recreate this manual at any time. Download the latest version from www.chauvetlighting.com.

© Copyright 2015 Chauvet. All rights reserved.

Printed in P.R.C.

Electronically published by Chauvet in the United States of America.

| Author | Date | Editor | Date |
|--------------|----------|----------|----------|
| R. Isenstadt | 02/27/15 | D. Coupe | 04/29/15 |

Safety Notes

The Safety Notes include important laser system safety information. Read and understand all instructions before powering on the laser for the first time. Knowing these safety instructions is crucial to avoiding laser eye injury and breaking the law. Keep this User Manual in a safe place for future reference.

STOP AND READ ALL LASER SAFETY DATA



- **Lasers can be hazardous and have unique safety considerations. Permanent eye injury and blindness is possible if lasers are used incorrectly. Pay close attention to each safety REMARK and WARNING statement in this User Manual. Read all instructions carefully BEFORE operating this device.**
- Always connect the product to a grounded circuit to avoid the risk of electrocution.
- Always disconnect the product from the power source before cleaning.
- Avoid direct eye exposure to the light source while the product is on.
- Make sure the power cord is not crimped or damaged.
- Never disconnect the product from power by pulling or tugging on the cord.
- If mounting the product overhead, always secure to a fastening device using a safety cable.
- Make sure there are no flammable materials close to the product when operating.
- Do not touch the product's housing when operating because it may be very hot.
- Do not remove the bracket at any time. This product is intended to be used with its bracket.



- **This product is not intended for permanent installation.**
- Always make sure that the voltage of the outlet to which you are connecting the product is within the range stated on the decal or rear panel of the product.
- The product is for indoor use only! (IP20) To prevent risk of fire or shock, do not expose the product to rain or moisture.
- Always install the product in a location with adequate ventilation, at least 20 in (50 cm) from adjacent surfaces.
- Be sure that no ventilation slots on the product's housing are blocked.
- Never connect the product to a dimmer.
- Always use the mounting bracket to carry the product.
- Do not switch the product on/off in short intervals. This will reduce the laser diode life.
- Do not shake this product. Avoid brute force when mounting or operating this product.
- ALWAYS use a safety cable when mounting the product overhead.
- The ambient operating temperature for the laser is 59 °F to 95 °F (15 °C to 35 °C). Do not operate this product outside this range.
- In the event of a serious operating problem, stop using the product immediately.
- Never try to repair the product. Repairs carried out by unskilled people can lead to damage or malfunction. Contact the nearest authorized technical assistance center.
- To eliminate wear and improve its lifespan, during periods of non-use completely disconnect from power via breaker or by unplugging it.



- Avoid direct eye contact with laser light. Never intentionally expose your eyes or others to direct laser light.
- This laser product can potentially cause instant eye injury or blindness if laser light directly strikes the eyes.
- It is illegal and dangerous to shine this laser into audience areas, where the audience or other personnel could get direct laser beams or bright reflections into their eyes.
- It is a U.S. federal offense to shine any laser at aircraft.
- Use of controls, adjustments, or procedures other than those specified in this User Manual may result in hazardous radiation exposure.
- Do not attempt any repairs. Repairs and servicing must be carried out by a certified technician. **Unauthorized modifications are forbidden for safety reasons!**



- Keep this User Manual for future consultation. If transferring ownership of the product to another user, be sure this document is kept with the laser.

Non-Interlocked Housing Warning

- This unit contains high power laser devices internally.
- Do not open the laser housing, due to potential exposure to unsafe levels of laser radiation.
- The laser power levels, accessible if the unit is opened, can cause instant blindness, skin burns, and fires.

Laser Safety Notes



STOP AND READ ALL THE LASER SAFETY NOTES BELOW



Laser light is different from any other light sources. The light from this product can potentially cause eye injury if the product is not set up and used properly. Laser light is thousands of times more concentrated than light from any other kind of light source. This concentration of light can cause instant eye injuries, primarily by burning the retina (the light-sensitive portion at the back of the eye). Even if you cannot feel “heat” from a laser beam, it can still potentially injure or blind you or your audience. Even very small amounts of laser light are potentially hazardous—even at long distances. Laser eye injuries can happen faster than you can blink.

DO NOT assume that because laser entertainment products split the laser into hundreds of beams and that the laser beam is scanned out in high speed, that an individual laser beam is safe for eye exposure. This laser product uses dozens of milliwatts of laser power (Class 3B levels internally) before it splits into multiple beams (Class 3R levels). Many of the individual beams are potentially hazardous to the eyes.



DO NOT assume that because the laser light is moving, it is safe. Laser light is never without risk, nor do the laser beams always move. Since eye injuries can occur instantly, it is critical to prevent the possibility of ANY direct eye exposure. According to laser safety regulations, it is not legal to aim Class 3R lasers into areas where people can get exposed. This is true even if the laser is aimed below people’s faces, such as on a dance floor.

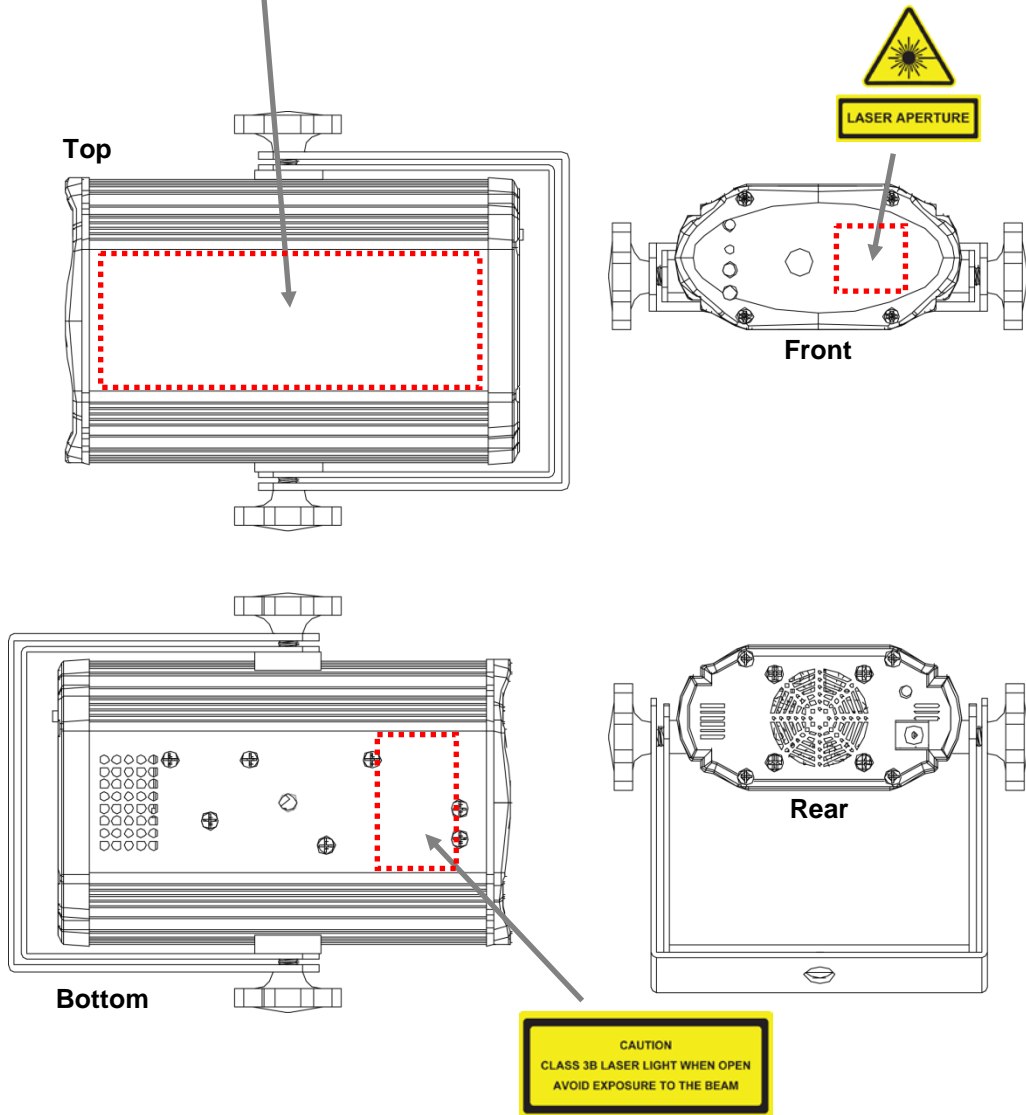
- Do not operate the laser without first reading and understanding all safety and technical data in this manual.
- **ALWAYS** set up and install all laser effects so that all laser light is at least 9.8 feet (3 meters) above the floor on which people can stand. See the [Proper Usage](#) section of this manual.
- After setup, and prior to public use, test laser to ensure proper function. Do not use if any defect is detected.
- **DO NOT** use laser if the laser appears to be emitting only one or two beams, rather than dozens/hundreds, as this could indicate damage to the diffraction grating optic, and could allow emission of laser levels higher than Class 3R.
- **DO NOT** point lasers at people or animals.
- Never look into the laser aperture or laser beams.
- **DO NOT** point lasers into areas in which people can potentially get exposed, such as uncontrolled balconies, etc.
- **DO NOT** point lasers at highly reflective surfaces such as windows, mirrors, and shiny metal. Even laser reflections can be hazardous.
- Never point a laser at aircraft; this is a U.S. federal offense.
- Never point un-terminated laser beams into the sky.
- Do not expose the output optic (aperture) to cleaning chemicals.
- Do not use the laser if the housing is damaged, open, or if the optics appear damaged in any way.
- Never open the laser housing. The high laser power levels inside of the protective housing can start fires or burn skin, and will cause instant eye injury.
- Never leave this product running unattended.
- The operation of a Class 3R laser show is only allowed if the show is controlled by a skilled and well-trained operator, familiar with the data included in this manual.
- The legal requirements for using laser entertainment products vary from country to country. The user is responsible for the legal requirements in the location/country of use.



CAUTION! DO NOT operate this device in ways not specified in this User Manual. Failure to follow the instructions will void the warranty, may damage the product, or injure the user or the audience. CAUTION! This product cannot be discarded with household waste. Contact your local waste management service for electronic disposal regulations in your area.

Laser Safety Label Reproduction

| | | |
|---|--|--|
|  | | <p>LASER LIGHT AVOID DIRECT EYE EXPOSURE CLASS 3R LASER PRODUCT 50 mW, 532 nm / 100 mW, 650 nm Classified per EN/IEC 60825-1:2007</p> |
|  | | <p>CHAUVET WORLDWIDE HEADQUARTERS SUNRISE, FLORIDA USA</p> |
| <p>MODEL: EZMIN™ Laser FX ITEM CODE: 10060763 VOLTAGE: 12 VDC, 1.0 A LIGHT SOURCE: LASER ORIGIN: MADE IN P.R.C.</p> | | <p>USA/CANADA Power: AC 100~125 V, 60 Hz 0.1 A, 1 W</p> <p>WORLDWIDE Power: AC 100~240 V, 50 Hz 0.1 A, 1 W</p> |





Laser Exposure Warning

LASER LIGHT AVOID DIRECT EYE EXPOSURE

Further guidelines and safety programs for safe use of lasers can be found in the ANSI Z136.1 Standard "For Safe Use of Lasers", available from the Laser Institute of America: www.laserinstitute.org. Many local governments, corporations, agencies, military, and others, require all lasers to be used under the guidelines of ANSI Z136.1. Laser Display guidance can be obtained via the International Laser Display Association: www.laserist.org.

Laser Emission Data

EZMiN™ Laser FX

| | |
|---|--------------------------------|
| Laser Classification | Class 3R |
| Green Laser Medium | DPSS Nd:YVO4, 532 nm |
| Red Laser Medium | LD GaAlAs, 650 nm |
| Beam Diameter | < 5 mm at aperture |
| Pulse Data | All pulses < 4 Hz (> 0.25 sec) |
| Divergence (each beam) | < 2 mrad |
| Divergence (total light) | < 160 degrees |
| Laser Power of Each Beam from Aperture* | < 5 mW |

EZMiN™ Laser RBX

| | |
|---|--------------------------------|
| Laser Classification | Class 3R |
| Blue Laser Medium | LD InGaN, 450 nm |
| Red Laser Medium | LD GaAlAs, 650 nm |
| Beam Diameter | < 5 mm at aperture |
| Pulse Data | All pulses < 4 Hz (> 0.25 sec) |
| Divergence (each beam) | < 2 mrad |
| Divergence (total light) | < 160 degrees |
| Laser Power of Each Beam from Aperture* | < 5 mW |

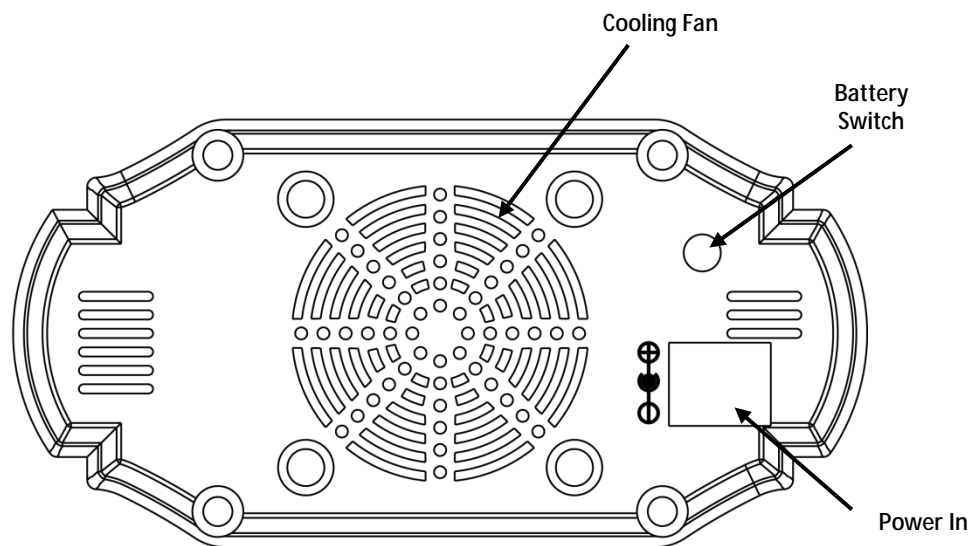
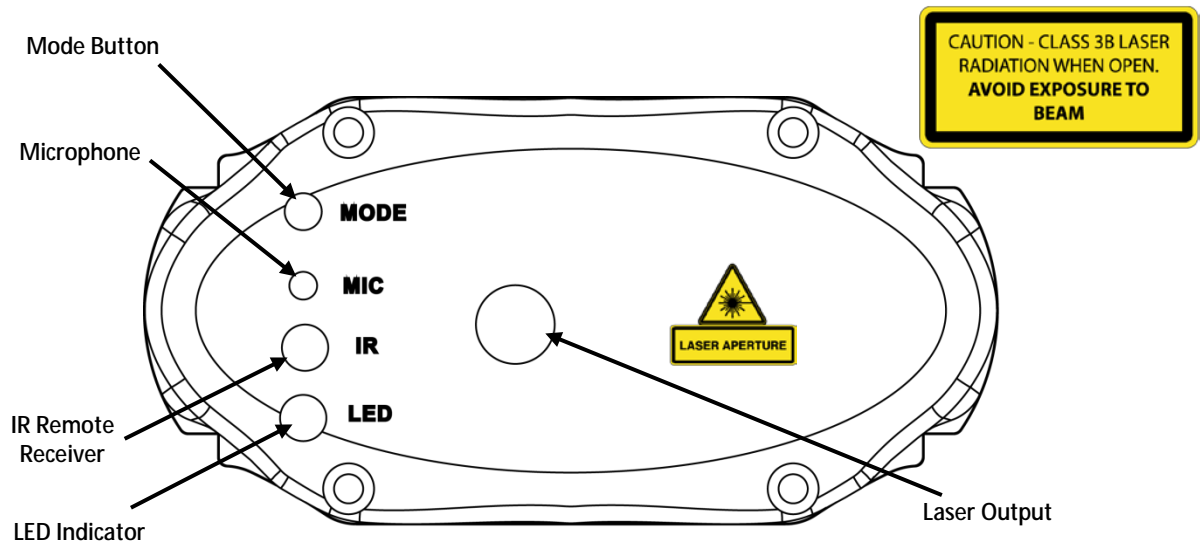
*As measured under IEC measurement conditions for classification.

Laser Compliance Statement

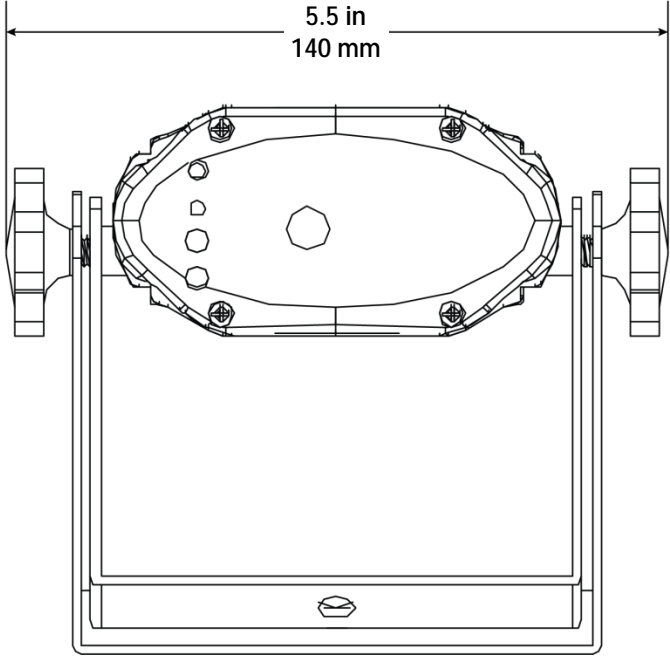
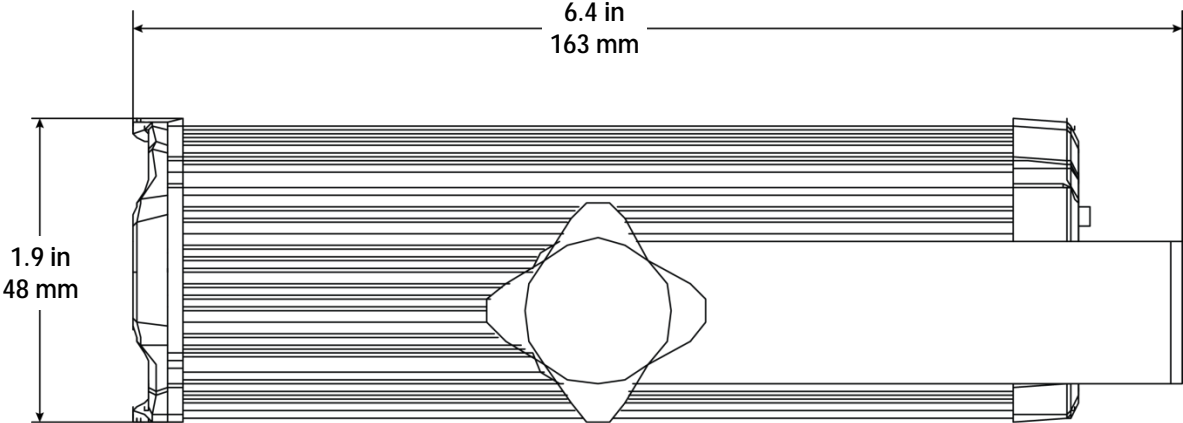
This laser product complies with EN/IEC 60825-1 Ed 2, 2007-03, and U.S. FDA/CDRH FLPPS via the terms of Laser Notice No. 50 dated June 24, 2007. This laser device is classified 3R. (Class 3R is the international equivalent of U.S. Class IIIa.) No maintenance is required to keep this product in compliance with laser performance standards.

2. INTRODUCTION

Overview



Dimensions



3. SETUP

AC Power The EZMiN™ Laser FX/RBX has an external auto-ranging power supply and it can work with an input voltage range of 100 to 240 VAC, 50/60 Hz.

To determine the product's power requirements (circuit breaker, power outlet, and wiring), use the current value listed on the label affixed to the product's back panel, or refer to the [Technical Specifications](#). The listed current rating indicates the product's average current draw under normal conditions.



- **Always connect the product to a protected circuit (circuit breaker or fuse). Make sure the product has an appropriate electrical ground to avoid the risk of electrocution or fire.**
- **To eliminate wear and improve its lifespan, during periods of non-use completely disconnect from power via breaker or by unplugging it.**



Never connect the product to a rheostat (variable resistor) or dimmer circuit, even if the rheostat or dimmer channel serves only as a 0 to 100% switch.

Charging the Battery The EZMiN™ Laser FX/RBX comes with a rechargeable lithium battery for cable-free operation. To charge the battery, simply plug in the power cord at any time before, during, or after operation.



The EZMiN™ Laser FX/RBX battery should be charged 24 hours prior to initial use for optimal battery life.

Battery Runtime The maximum runtime for the EZMiN™ Laser FX/RBX battery is up to 6 hours; however, the operation mode used has a bearing on the final runtime for the battery. To achieve the maximum battery runtime, set the product in the Sound-Active modes only. When using the Automatic modes, the battery runtime may be shortened.

Battery Maintenance To keep the battery in optimal operating condition, store the product in a cool, dry place and charge at least once every 30 days when not in use.
Avoid exposure to extreme temperatures. If the product is exposed to extreme cold or hot temperatures, warm up/cool down the product before use and before charging.

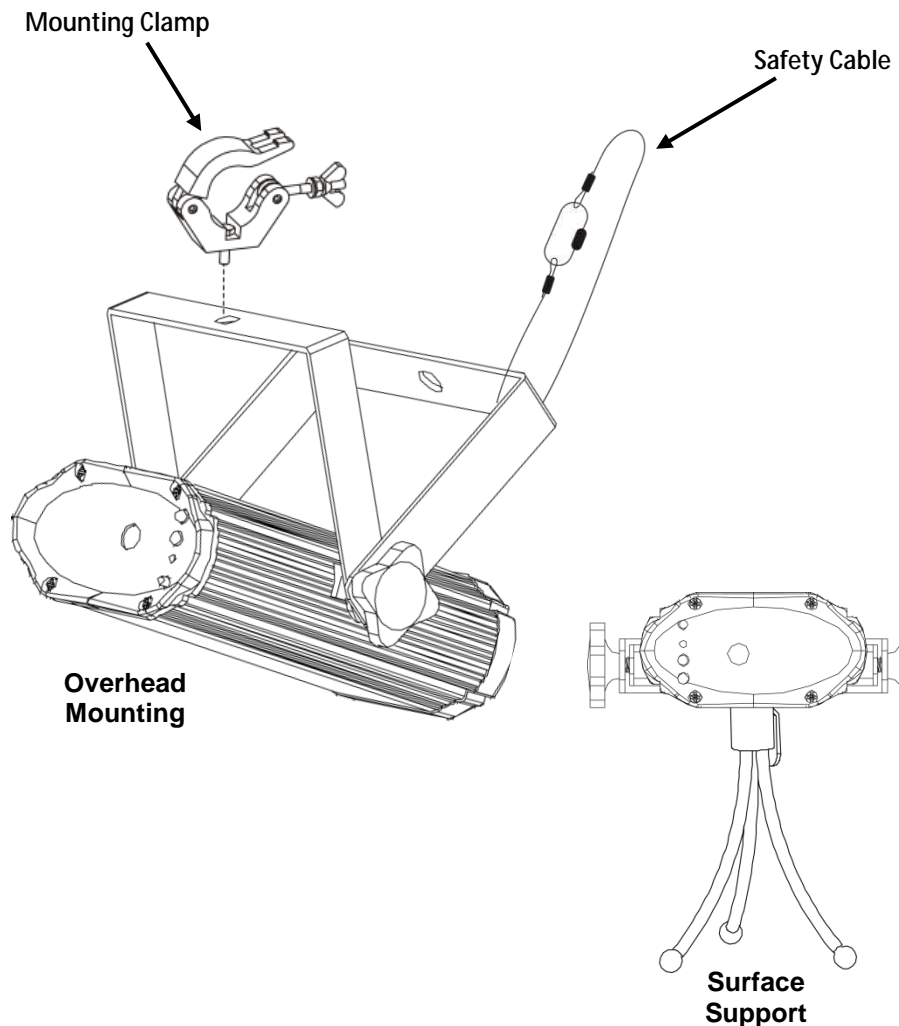
Mounting Before mounting the product, read and follow the safety recommendations indicated in the [Safety Notes](#).

Orientation The EZMiN™ Laser FX/RBX must be mounted in a position that includes planning for safe laser usage. In addition, make sure adequate ventilation is provided around the product.

- Rigging**
- Before deciding on a location for the product, always make sure there is easy access to the product for maintenance and programming.
 - Make sure that the structure or surface onto which you are mounting the product can support the product's weight (see the [Technical Specifications](#)).
 - When mounting the product overhead, always use a safety cable. Mount the product securely to a rigging point, such as an elevated platform or a truss.
 - When rigging the product onto a truss, you should use a mounting clamp of appropriate weight capacity. The double-bracketed yoke has 13-mm holes, which are appropriate for this purpose.
 - The bracket adjustment knobs allow for directional adjustment when aiming the product to the desired angle. Only loosen or tighten the bracket knobs manually. Using tools could damage the knobs.
 - The included flexible tripod serves as a surface support. See [Proper Usage](#).

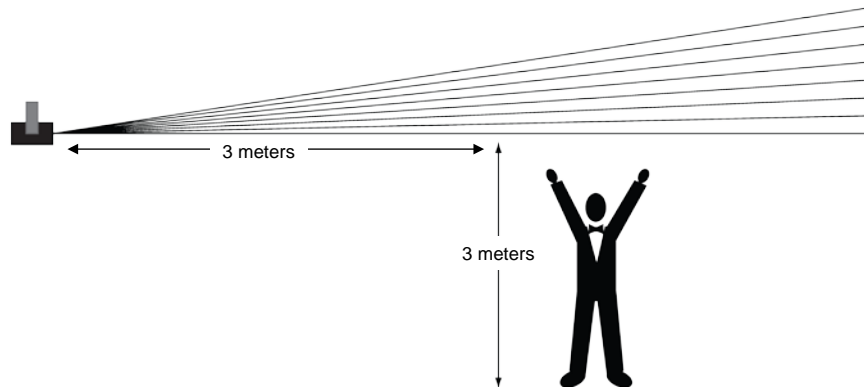


Do not remove the bracket at any time. This product is intended to be used with its bracket.



Proper Usage This product is for overhead mounting only. For safety purposes, Chauvet recommends mounting lighting effect products on steady elevated platforms or sturdy overhead supports using suitable hanging clamps. In all cases, use safety cables. Obtain appropriate mounting hardware from your lighting vendor.

International laser safety regulations require that laser products must be operated in the fashion illustrated below, with a minimum of 9.8 feet (3 meters) of vertical separation between the floor and the lowest laser light. Additionally, 9.8 feet (3 meters) of horizontal separation is required between laser light and audience or other public spaces.



CAUTION! USE OF CONTROLS, ADJUSTMENTS, OR PROCEDURES OTHER THAN THOSE SPECIFIED IN THIS USER MANUAL MAY RESULT IN HAZARDOUS RADIATION EXPOSURE.

4. OPERATION

- This product is not designed for continual use. Make sure there are regular breaks during operation to maximize the life of your laser.
- Always disconnect the EZMiN™ Laser FX/RBX from power when not in use.

Manual Mode Access the four different operating modes available in this product by using the **MODE** button on the front panel.

- Pressing and holding the **MODE** button for 2.5 seconds will toggle the product on/off.
- Press **MODE** to cycle through the modes.

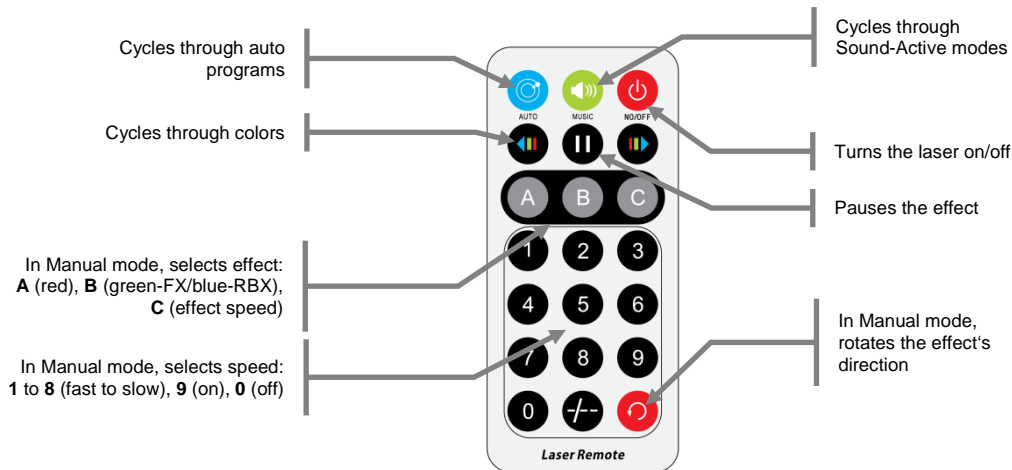
| Mode | Description |
|------|----------------------------|
| 1 | Sound-Active A |
| 2 | Sound-Active B |
| 3 | Automatic A (fast effects) |
| 4 | Automatic B (slow effects) |



The LED indicator on the front of the product will be blue when a Sound-Active mode is selected. The LED indicator is red when an Automatic mode is selected.

Wireless Remote (IR)

The wireless remote (IR) will immediately override the MODE button. No additional settings are required.



In Sound-Active mode:

- Using the IR to set the sound sensitivity, press **1** (least sensitive) through **9** (most sensitive).

Any control or setting on the remote control will be saved until the system is rebooted. The system will revert to Automatic mode after reboot.

5. TECHNICAL INFORMATION

Product Maintenance Dust build-up reduces light output performance and can cause overheating. To maintain optimum performance, clean the product at least twice a month. However, usage and environmental conditions contribute to increasing the cleaning frequency.

To clean the product, follow the instructions below:

1. Unplug the product from power.
2. Wait until the product is at room temperature.
3. Use a vacuum (or dry compressed air) and a soft brush to remove dust collected on the external surfaces and fan vents.
4. Clean the glass panel (laser aperture) with a mild solution of glass cleaner or isopropyl alcohol.
5. Apply the solution directly to a soft, lint-free cotton cloth or a lens cleaning tissue.
6. Softly wipe any dirt or grime to the outside edges of the glass.
7. Gently polish the glass surface until they are free of haze and lint.



Always dry the glass surfaces carefully after cleaning them.



- **Do not spin the fan using compressed air because you could damage it.**
- **Do not open this product for cleaning or servicing.**

6. TECHNICAL SPECIFICATIONS

| Dimensions and Weight | Length | Width | Height | Weight |
|-----------------------|-----------------|-----------------|----------------|-----------------|
| | 6.4 in (163 mm) | 5.5 in (140 mm) | 1.9 in (48 mm) | 1.3 lb (0.1 kg) |

Dimensions in inches rounded to the nearest decimal digit.

| Power | Input Voltage | Range | Voltage Selection |
|-----------------|---------------|--------------------------|-------------------|
| | 12 VDC, 1.0 A | 100 to 240 VAC, 50/60 Hz | Auto-ranging |
| Parameter | 120 V, 60 Hz | 230 V, 50 Hz | |
| Consumption | 1 W | 1 W | |
| Operating | 0.1 A | 0.1 A | |
| Power I/O | US/Worldwide | UK/Europe | |
| Power Cord plug | Edison (US) | Local plug | |

Light Source

EZMiN™ Laser FX

| Type | Power | Wavelength |
|---------------|--------|------------|
| Laser (green) | 50 mW | 532 nm |
| Laser (red) | 100 mW | 650 nm |

EZMiN™ Laser RBX

| Type | Power | Wavelength |
|--------------|--------|------------|
| Laser (blue) | 80 mW | 450 nm |
| Laser (red) | 100 mW | 650 nm |

Photo Optic

| Parameter | |
|----------------|------|
| Coverage angle | 100° |

Battery

| Parameter | |
|-----------------|---------------|
| Maximum runtime | Up to 6 hours |
| Recharge time | Up to 5 hours |

Thermal

| Laser Maximum External Temp | Cooling System |
|-----------------------------|----------------|
| 95 °F (35 °C) | Fan-cooled |

Ordering

| Product Name | Item Code | UPC Code |
|------------------|-----------|--------------|
| EZMiN™ Laser FX | 10060763 | 781462211110 |
| EZMiN™ Laser RBX | 10060764 | 781462211127 |



RETURNS

In case you need to get support or return a product:

- If you are located in the U.S., contact Chauvet World Headquarters.
- If you are located in the UK or Ireland, contact Chauvet Europe Ltd.
- If you are located in Mexico, contact Chauvet Mexico.
- If you live in Benelux, contact Chauvet Europe BVBA.
- If you are located in any other country, DO NOT contact Chauvet. Instead, contact your local distributor. See www.chauvetlighting.com for distributors outside the U.S., UK, Ireland, Benelux, or Mexico.



If you are located outside the U.S., UK, or Ireland, contact your distributor of record and follow their instructions on how to return Chauvet products to them. Visit our website www.chauvetlighting.com for contact details.

Call the corresponding Chauvet Technical Support office and request a Return Merchandise Authorization (RMA) number before shipping the product. Be prepared to provide the model number, serial number, and a brief description of the cause for the return.

Send the merchandise prepaid, in its original box, and with its original packing and accessories. Chauvet will not issue call tags.

Clearly label the package with the RMA number. Chauvet will refuse any product returned without an RMA number.



Write the RMA number on a properly affixed label. DO NOT write the RMA number directly on the box.

Before sending the product, clearly write the following information on a piece of paper and place it inside the box:

- Your name
- Your address
- Your phone number
- RMA number
- A brief description of the problem

Be sure to pack the product properly. Any shipping damage resulting from inadequate packaging will be your responsibility. FedEx packing or double-boxing are recommended.



Chauvet reserves the right to use its own discretion to repair or replace returned product(s).

CONTACT Us

WORLD HEADQUARTERS - Chauvet

General Information

Address: 5200 NW 108th Avenue
Sunrise, FL 33351
Voice: (954) 577-4455
Fax: (954) 929-5560
Toll free: (800) 762-1084

Technical Support

Voice: (954) 577-4455 (Press 4)
Fax: (954) 756-8015
Email: tech@chauvetlighting.com

World Wide Web www.chauvetlighting.com

UNITED KINGDOM AND IRELAND - Chauvet Europe Ltd.

General Information

Address: Unit 1C
Brookhill Road Industrial Estate
Pinxton, Nottingham, UK
NG16 6NT
Voice: +44 (0)1773 511115
Fax: +44 (0)1773 511110

Technical Support

Email: uktech@chauvetlighting.com

World Wide Web www.chauvetlighting.co.uk

MEXICO - Chauvet Mexico

General Information

Address: Av. Santa Ana 30
Parque Industrial Lerma
Lerma, Mexico C.P. 52000
Voice: +52 (728) 285-5000

Technical Support

Email: servicio@chauvet.com.mx

World Wide Web www.chauvet.com.mx

CHAUVET EUROPE - Chauvet Europe BVBA

General Information

Address: Stokstraat 18
9770 Kruishoutem
Belgium
Voice: +32 9 388 93 97

Technical Support

Email: Eutech@chauvetlighting.eu

World Wide Web www.chauvetlighting.eu

Outside the U.S., United Kingdom, Ireland, Mexico, or Benelux contact the dealer of record. Follow their instructions to request support or to return a product. Visit our website for contact details.

1. ANTES DE EMPEZAR

Qué va Incluido

- EZMiN™ Laser FX/RBX
- Fuente de alimentación externa
- Soporte para colgar con material de montaje
- Trípode flexible
- Mando a distancia por IR
- Tarjeta de garantía
- Manual de usuario

Instrucciones de Desembalaje

Desembale el producto con cuidado inmediatamente y compruebe la caja para asegurarse de que todas las piezas están en el paquete y en buen estado.

Reclamaciones




Si la caja o el contenido (el producto y los accesorios incluidos) parecen dañados a causa del transporte o muestran signos de manipulación inadecuada, notifíquesele inmediatamente al transportista, y no a Chauvet. Si no lo hace oportunamente, puede quedar invalidada su reclamación al transportista. Además, guarde la caja y todo el material de embalaje para su inspección.

Para otras incidencias, como componentes o piezas que falten, daños no relacionados con el transporte o daños no evidentes, presente una reclamación a Chauvet en el plazo de 7 días de la entrega.

Convenciones del Manual

| Convención | Significado |
|--------------------------------|---|
| 1—512 | Un rango de valores |
| 50/60 | Un conjunto de valores de los cuales solo se puede escoger uno |
| Configuración | Una opción de menú que no se puede modificar |
| Menú > Configuración | Una secuencia de opciones de menú que ha de seguirse |
| <ENTER> | Una tecla que se tiene que pulsar en el panel de control del producto |
| ON | Un valor que se tiene que introducir o seleccionar |

Símbolos

| Símbolo | Significado |
|---|--|
|  | Instalación, configuración o información sobre funcionamiento crítica. Hacer caso omiso de esta información puede hacer que el producto no funcione, que se averíe, o causar daños al usuario. |
|  | Instalación o información de configuración importante. El producto puede no funcionar correctamente si esta información no se usa. |
|  | Información útil. |

Exención de Responsabilidad

La información y especificaciones contenidas en este documento están sujetas a cambio sin previo aviso. Chauvet no asume responsabilidad de ningún tipo por cualquier error u omisión que pueda aparecer en este manual, y se reserva el derecho a revisar o rehacer este manual en cualquier momento. Descargue la última versión de www.chauvetlighting.com.

© Copyright 2015 Chauvet. Todos los derechos reservados.

Impreso en la R. P. China.

Publicación en formato electrónico por Chauvet en EE.UU.

Notas de Seguridad

Las Notas de seguridad incluyen información importante sobre seguridad del sistema láser. Lea y comprenda todas las instrucciones antes de encender el láser por primera vez. Conocer las instrucciones de seguridad es crucial para evitar lesiones oculares y para no infringir la ley. Mantenga este manual de usuario en un lugar seguro para futuras consultas.



DETÉNGASE Y LEA TODOS LOS DATOS DE SEGURIDAD



- **Los láseres pueden ser peligrosos y tienen consideraciones de seguridad particulares. Puede producirse lesión ocular permanente y ceguera si los láseres se usan incorrectamente. Ponga máxima atención a todos los COMENTARIOS y ADVERTENCIAS de seguridad de este manual de usuario. Lea atentamente todas las instrucciones ANTES de poner en funcionamiento este dispositivo.**
- Conecte siempre el producto a un circuito con toma de tierra para evitar el riesgo de electrocución.
- Desconecte siempre el producto de la alimentación antes de limpiarlo.
- Evite la exposición directa de los ojos a la fuente de luz mientras es producto esté encendido.
- Asegúrese de que el cable de alimentación no está retorcido ni estropeado.
- Nunca desconecte este producto de la alimentación agarrando o tirando del cable.
- Si monta el producto en alto, asegure siempre a un dispositivo de seguridad usando cable de seguridad.
- Asegúrese de que no hay materiales inflamables cerca del producto cuando esté en funcionamiento.
- No toque la carcasa del producto cuando esté en funcionamiento, porque podría estar muy caliente.
- No quite el soporte en ningún momento. Este producto está concebido para usarse con este soporte.



- **Este producto no está concebido para una instalación permanente.**
- Asegúrese siempre de que la tensión del enchufe al que conecte el producto está en el rango establecido en el grabado o en el panel posterior del producto.
- ¡El producto es para uso en interiores solamente! (IP20) Para evitar riesgos de incendio o descarga, no exponga el producto a la lluvia o la humedad.
- Instale siempre el producto en una ubicación con ventilación adecuada, al menos a 20" (50 cm) de superficies adyacentes.
- Asegúrese de que ninguna ranura de ventilación en la carcasa del producto queda bloqueada.
- Nunca conecte el producto a un atenuador.
- Use siempre el soporte de montaje para trasladar el producto.
- No Apague/Encienda el producto a intervalos cortos. Esto acortará la vida del diodo láser.
- NO sacuda este producto. Evite usar la fuerza bruta cuando monte o maneje el producto.
- Use SIEMPRE un cable de seguridad cuando monte este producto en lo alto.
- La temperatura ambiente operativa para el láser es de 59 °F a 95 °F (15 °C a 35 °C). No haga funcionar este producto fuera de este rango.
- En caso de un problema grave de funcionamiento, deje de usar el producto inmediatamente.
- Nunca intente reparar el producto. Las reparaciones llevadas a cabo por personal no cualificado pueden provocar averías o funcionamiento defectuoso. Póngase en contacto con el centro de asistencia técnica autorizado más cercano.
- Para evitar un desgaste innecesario y alargar su vida útil, desconecte complemente el producto de la alimentación, mediante el interruptor o desenchufándolo, durante los periodos en los que no se use.



- Evite el contacto directo de los ojos con la luz del láser. Nunca exponga intencionadamente sus ojos o los de otras personas a la luz directa del láser.
- Este producto láser puede causar lesiones oculares al instante, o ceguera, si la luz del láser incide directamente en los ojos.
- Es ilegal y peligroso alumbrar con este láser zonas de espectadores en las que el público u otro personal pueda recibir rayos láser o reflejos de su brillo directamente en los ojos.
- En los EEUU es un delito federal dirigir cualquier láser hacia un avión.
- El uso de controles, ajustes o procedimientos distintos a los especificados en este manual de usuario pueden causar exposición peligrosa a la radiación.
- NO intente ninguna reparación. Las reparaciones y la asistencia deben ser llevadas a cabo por un técnico autorizado. **¡Las modificaciones no autorizadas están prohibidas por motivos de seguridad!**



- Guarde este manual de usuario para futuras consultas. Si este producto pasa a ser propiedad de otro usuario, asegúrese de que este documento acompaña al láser.

Advertencia sobre Carcasa no Cerrada

- Esta unidad contiene internamente dispositivos láser de alta potencia.
- No abra la carcasa del láser, debido a la potencial exposición a niveles no seguros de radiación láser.
- Los niveles de láser a los que se tiene acceso si se abre la unidad pueden causar ceguera instantánea, quemaduras en la piel e incendios.

Notas de Seguridad sobre Láser



DETÉNGASE Y LEA TODAS LAS NOTAS DE SEGURIDAD SOBRE EL LÁSER SIGUIENTES



La luz láser es diferente de cualquier otra fuente de luz. La luz de este producto puede causar lesión ocular si el producto no se instala y usa adecuadamente. La luz láser es miles de veces más concentrada que la luz de cualquier otro tipo de fuente. Esta concentración de luz puede causar lesiones instantáneas en el ojo, fundamentalmente por quemadura de la retina (la zona sensible a la luz en la parte posterior del ojo). Aunque usted no pueda sentir el "calor" de un haz de láser, este puede aún potencialmente lesionar o cegarle a usted o al público. Incluso cantidades de luz láser muy pequeñas son potencialmente peligrosas, incluso a largas distancias. Las lesiones oculares por láser pueden ocurrir más rápido de lo que se tarda en parpadear.

NO dé por supuesto que porque estos productos recreativos de láser dividan el láser en cientos de haces, y porque el haz de láser se lance a alta velocidad, es segura la exposición del ojo a un haz individual de láser. Este producto de láser utiliza docenas de milivatios de potencia láser (niveles clase 3B internamente) antes de dividirlo en múltiples haces (niveles clase 3R). Muchos de los haces individuales son potencialmente peligrosos para los ojos.

NO asuma que porque la luz láser está en movimiento, es segura. La luz láser no está nunca libre de riesgo, ni aunque el haz se mueva siempre. Puesto que las lesiones oculares pueden producirse instantáneamente, es crítico prevenir la posibilidad de CUALQUIER exposición directa al ojo. Según las disposiciones de seguridad láser, no es legal apuntar con láseres Clase 3a hacia áreas en las que las personas puedan quedar expuestas. Esto se aplica incluso si se apunta con el láser por debajo de las caras de la gente, por ejemplo hacia la pista de baile.





- No ponga en funcionamiento el láser sin primero leer y comprender todos los datos técnicos y de seguridad de este manual.
- Ubique e instale todos los efectos láser **SIEMPRE** de forma que toda la luz láser esté al menos a 3 m (9,8 pies) sobre el nivel del suelo en el que se encuentra la gente. Vea la sección [Uso Adecuado](#) de este manual.
- Después de la instalación, y antes de su uso público, pruebe el láser para asegurarse de que funciona adecuadamente. No lo use si detecta cualquier defecto.
- **NO** use el láser si este emite solo uno o dos haces en lugar de docenas/centenares, pues esto podría indicar una avería en la óptica de la rejilla de difracción, y podría permitir la emisión de niveles de láser por encima de la Clase 3R.
- **NO** apunte con láser a personas o animales.
- Nunca mire a la apertura del láser o a los haces de láser.
- **NO** apunte con el láser hacia áreas en las que las personas pudieran quedar expuestas, como balcones sin vigilancia, etc.
- **NO** apunte con láseres a superficies muy reflectantes como ventanas, espejos y metal pulido. Incluso los reflejos del láser pueden ser peligrosos.
- Nunca apunte con el láser a un avión, pues constituye delito según las leyes de EE.UU.
- Nunca apunte hacia el cielo con haces láser sueltos.
- No exponga la óptica de salida (apertura) a productos de limpieza químicos.
- No use el láser si la carcasa está averiada o abierta, o si la óptica parece dañada de cualquier modo.
- Nunca abra la carcasa del láser. Los altos niveles de potencia láser dentro de la carcasa protectora pueden originar incendios o quemaduras en la piel y causar lesiones oculares al instante.
- Nunca deje este producto en funcionamiento sin vigilancia.
- El funcionamiento de un láser de espectáculo de Clase 3R solo se permite si el espectáculo es controlado por un operador experimentado y bien formado, familiarizado con los datos contenidos en este manual.
- Los requisitos legales para usar productos de láser recreativo varían de un país a otro. El usuario es responsable de los requisitos legales del lugar/país en que lo utilice.

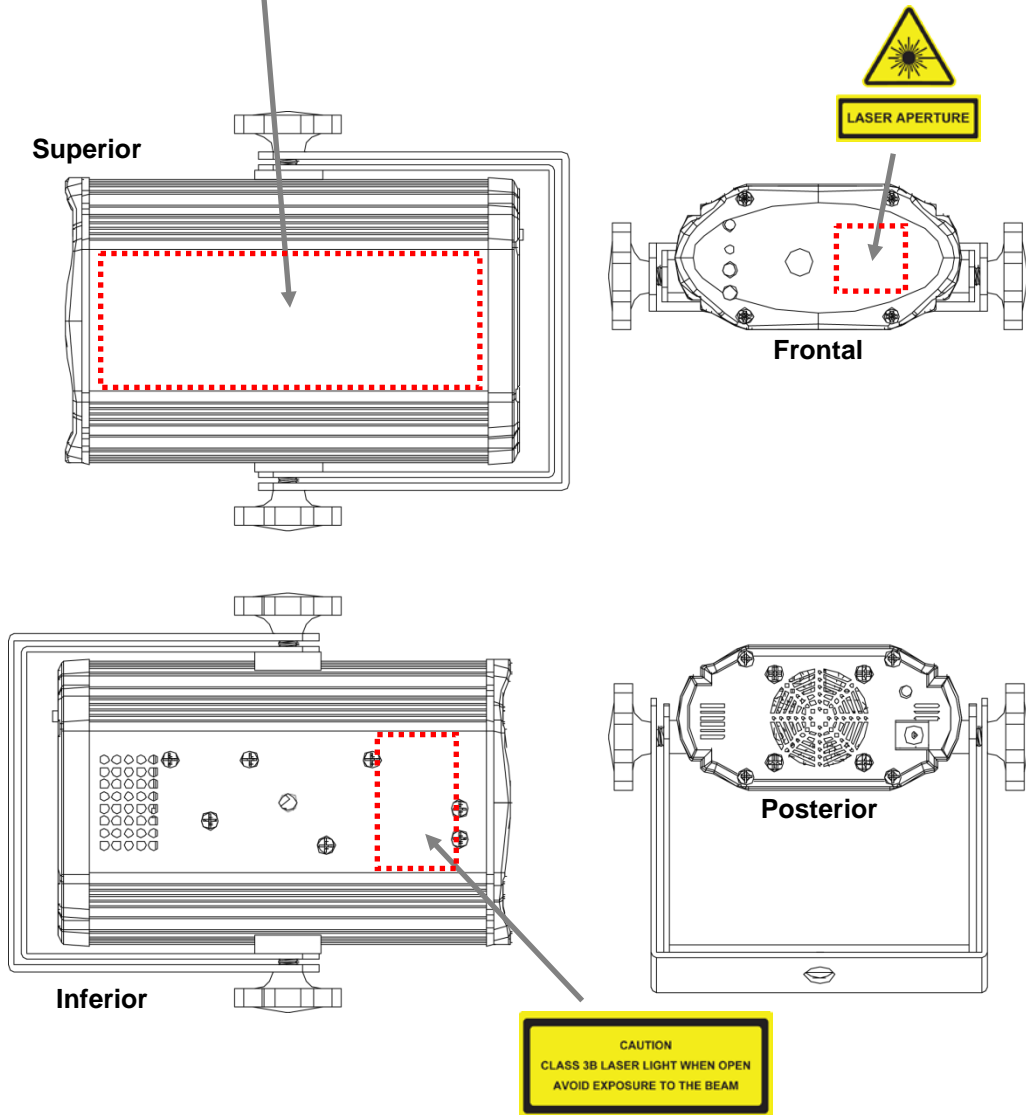


¡CUIDADO! NO ponga en funcionamiento este dispositivo en formas no especificadas en este manual de usuario. No seguir las instrucciones invalidará la garantía, podría dañar el producto o lesionar al usuario o al público.

¡CUIDADO! Este producto no se puede tirar con la basura doméstica. Póngase en contacto con el servicio de recogida para la eliminación de aparatos electrónicos de su zona.

Reproducción de la Etiqueta de Seguridad del Láser

| | | |
|---|--|--|
|  | | <p>LASER LIGHT AVOID DIRECT EYE EXPOSURE CLASS 3R LASER PRODUCT 50 mW, 532 nm / 100 mW, 650 nm Classified per EN/IEC 60825-1:2007</p> |
|  | | <p>CHAUVET WORLDWIDE HEADQUARTERS SUNRISE, FLORIDA USA</p> |
| <p>MODEL: EZMIN™ Laser FX ITEM CODE: 10060763 VOLTAGE: 12 VDC, 1.0 A LIGHT SOURCE: LASER ORIGIN: MADE IN P.R.C.</p> | | <p>USA/CANADA Power: AC 100~125 V, 60 Hz 0.1 A, 1 W</p> <p>WORLDWIDE Power: AC 100~240 V, 50 Hz 0.1 A, 1 W</p> |



**Advertencia
sobre
Exposición al
Láser**



LUZ LÁSER EVITE LA EXPOSICIÓN DIRECTA AL OJO

Se pueden encontrar más directrices y programas de seguridad para el uso seguro de láseres en la Normativa ANSI Z136.1 "Para uso seguro de Láseres", disponible en el Laser Institute of America: www.laserinstitute.org. Muchos gobiernos locales, corporaciones, agencias, ejército y otros requieren que todos los láseres se usen bajo las directrices de ANSI Z136.1. La guía Laser Display puede obtenerse de la International Laser Display Association: www.laserist.org.

Datos de Emisión Láser

EZMiN™ Laser FX

| | |
|--|------------------------------------|
| Clasificación láser | Clase 3R |
| Láser Verde Medio | DPSS Nd:YVO4, 532 nm |
| Láser Rojo Medio | LD GaAlAs, 650 nm |
| Diámetro del haz | < 5 mm en la apertura |
| Datos de pulso | Todos los pulsos < 4 Hz (> 0,25 s) |
| Divergencia (cada haz) | < 2 mrad |
| Divergencia (luz total) | < 160 grados |
| Potencia láser de cada haz en la apertura* | 5 mW |

EZMiN™ Laser RBX

| | |
|--|------------------------------------|
| Clasificación láser | Clase 3R |
| Láser Azul Medio | LD InGaN, 450 nm |
| Láser Rojo Medio | LD GaAlAs, 650 nm |
| Diámetro del haz | < 5 mm en la apertura |
| Datos de pulso | Todos los pulsos < 4 Hz (> 0,25 s) |
| Divergencia (cada haz) | < 2 mrad |
| Divergencia (luz total) | < 160 grados |
| Potencia láser de cada haz en la apertura* | 5 mW |

*Según medida bajo condiciones de medición IEC para clasificación.

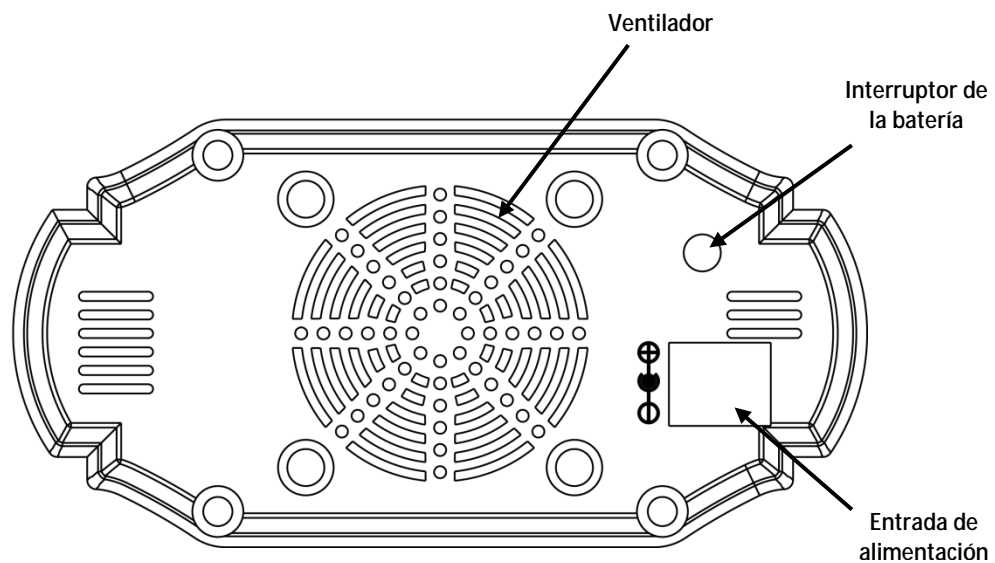
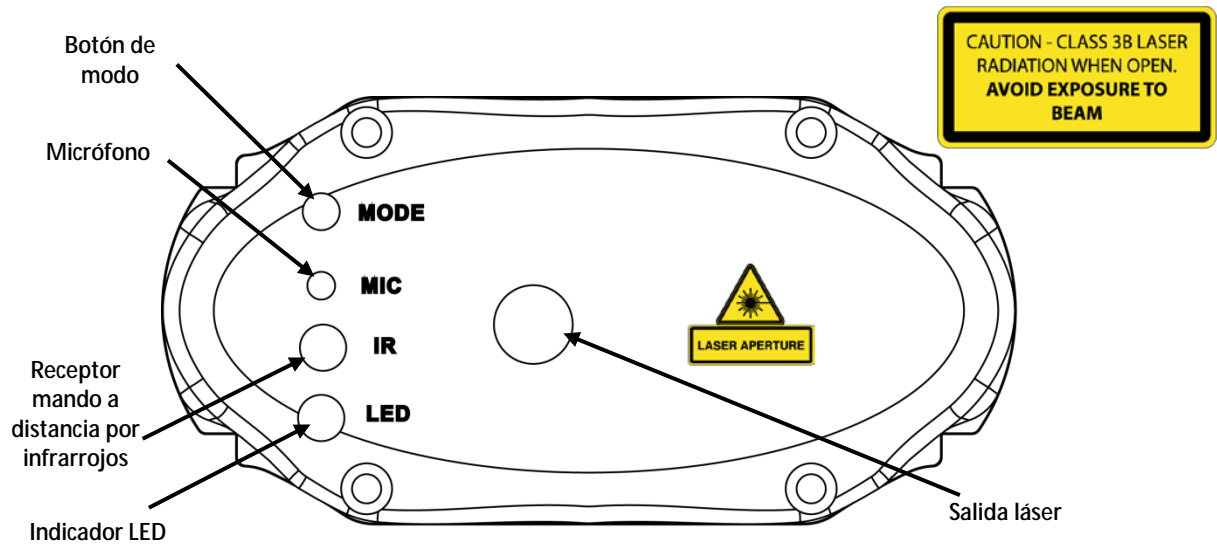
**Declaración
de
Conformidad
Láser**



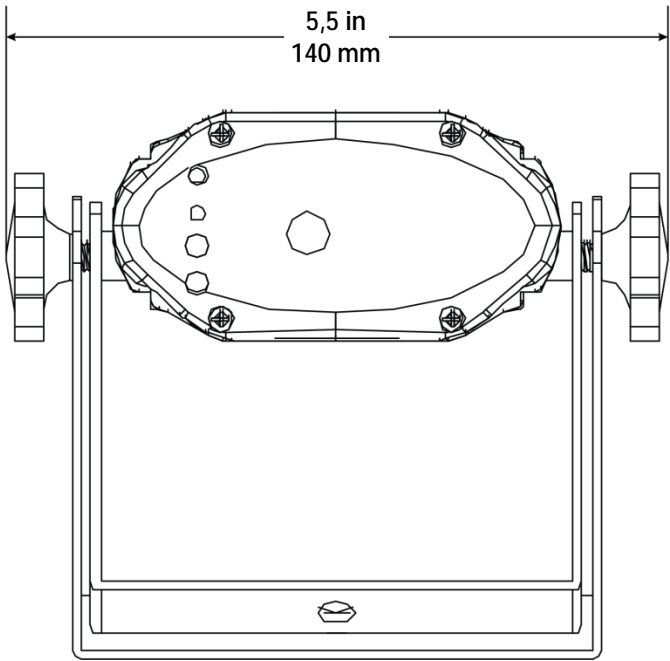
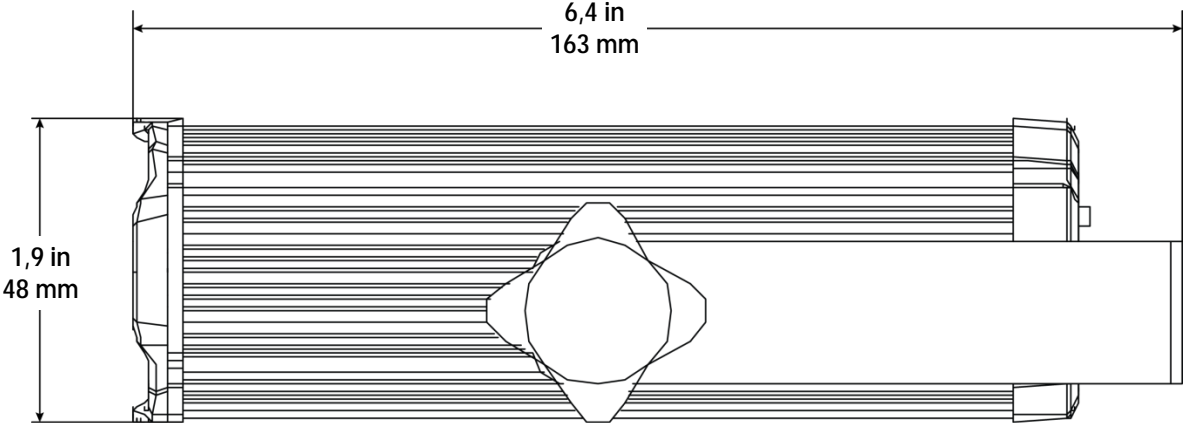
Este producto láser cumple las directivas EN/IEC 60825-1 Ed 2, 2007-03, y U.S. FDA/CDRH FLPPS mediante las condiciones de Laser Notice No. 50 de fecha 24 de junio de 2007. Este dispositivo láser está clasificado como 3R. (La Clase 3R es el equivalente internacional a la Clase IIIa de EEUU). No es necesario ningún mantenimiento para que este producto siga cumpliendo los estándares de rendimiento láser.

2. INTRODUCCIÓN

Vista General



Dimensiones



3. INSTALACIÓN

Corriente Alterna

El EZMiN™ Laser FX/RBX tiene una fuente de alimentación con detección automática que puede funcionar con un rango de tensión de entrada de 100 a 240 VCA, 50/60 Hz.

Para determinar los requerimientos de alimentación (disyuntor, toma de alimentación y cableado), use el valor de tensión que aparece en la etiqueta fijada en el panel trasero del producto o consulte estas [Especificaciones Técnicas](#). La especificación de corriente listada indica el consumo de corriente promedio en condiciones normales.



- **Conecte siempre el producto a un circuito protegido (disyuntor o fusible). Asegúrese de que el producto tiene una toma de tierra adecuada para evitar el riesgo de electrocución o incendio.**

- **Para evitar un desgaste innecesario y alargar su vida útil, desconecte completamente el producto de la alimentación, mediante el interruptor o desenchufándolo, durante los periodos en los que no se use.**



Nunca conecte el producto a un reostato (resistor variable) o circuito de atenuación, incluso si el canal del reostato o atenuador sirve solo como conmutador 0 a 100%.

Cargar la Batería

El EZMiN™ Laser FX/RBX viene con una batería de litio no reparable para un uso sin cables. Para cargar la batería, simplemente enchufe el cable de alimentación en cualquier momento, antes, durante o después del funcionamiento.



La batería del EZMiN™ Laser FX/RBX debe cargarse durante 24 horas antes del primer funcionamiento para una vida de la batería óptima.

Duración de la Batería

La duración de la batería para el EZMiN™ Laser FX/RBX es de hasta 6 horas; sin embargo, el modo de funcionamiento usado influye en la duración final de la batería. Para conseguir la máxima duración, configure el producto solo en los modos Activos por sonido. Al usar los modos Automáticos, la duración de la batería se puede acortar.

Mantenimiento de la Batería

Para mantener la batería en condiciones óptimas de funcionamiento, almacene el producto en un lugar fresco y seco, y cárguela al menos una vez cada 30 días cuando no esté en uso.

Evite la exposición a temperaturas extremas. Si el producto se expone a temperaturas extremas frías o calientes, caliente/enfríe el producto antes del uso y antes de la carga.

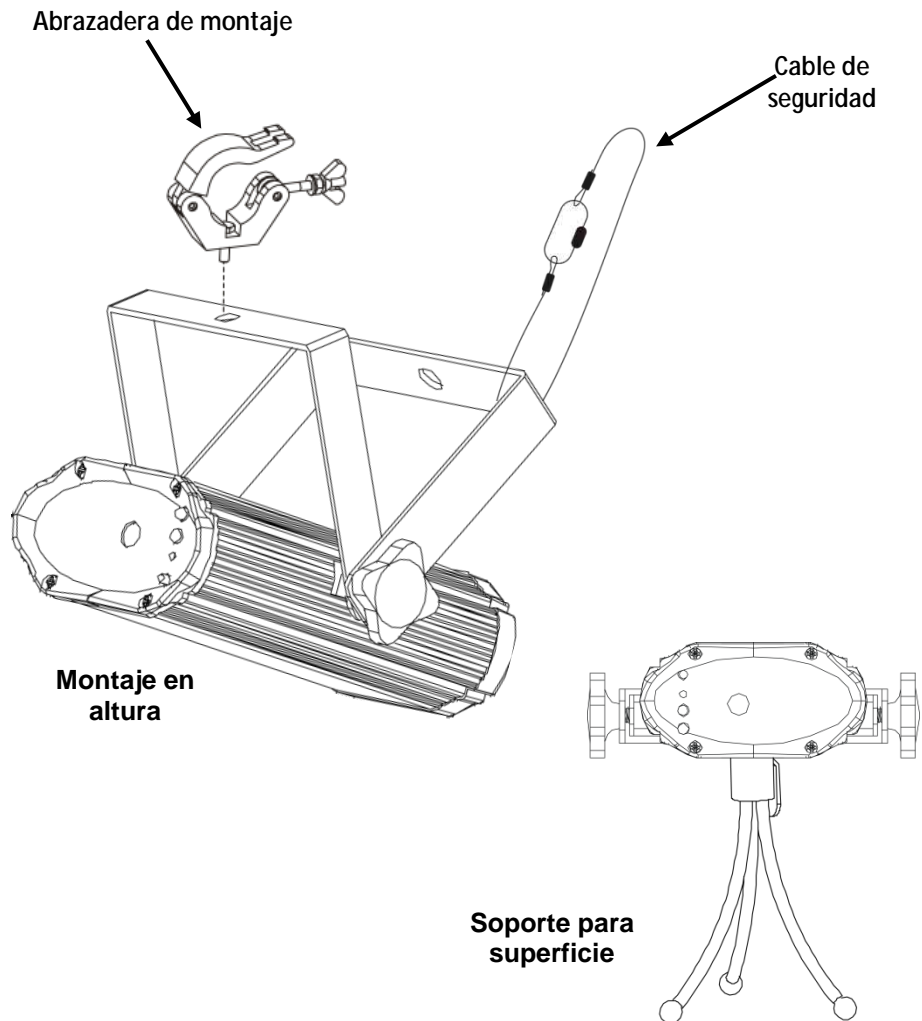
Montaje Antes de montar el producto, lea y siga las recomendaciones de seguridad indicadas en las [Notas de Seguridad](#).

Orientación El EZMiN™ Laser FX/RBX se debe montar en un posición preparada para uso seguro de láser. Además, asegúrese de proporcionar una ventilación adecuada alrededor del producto.

- Colocación**
- Antes de decidir una ubicación para el producto, asegúrese siempre de que hay fácil acceso al producto para su mantenimiento y programación.
 - Asegúrese de que la estructura o superficie sobre la que está montando el producto puede soportar su peso (vea las [Especificaciones Técnicas](#)).
 - Cuando monte este producto en alto, use siempre un cable de seguridad. Monte el producto con seguridad a un punto de anclaje, como una plataforma elevada o un truss.
 - Cuando cuelgue el producto de un truss, debe usar una abrazadera de montaje con la resistencia al peso adecuada. El soporte del yugo de doble soporte tiene agujeros de 13 mm, que son adecuados para este propósito.
 - Los mandos de ajuste del soporte permiten el ajuste direccional para dirigir el producto hacia el ángulo deseado. Apriete y afloje los mandos de soporte únicamente con la mano. Usar herramientas podría estropear los mandos.
 - El trípode flexible incluido sirve como soporte sobre superficie. Vea [Uso Adecuado](#).



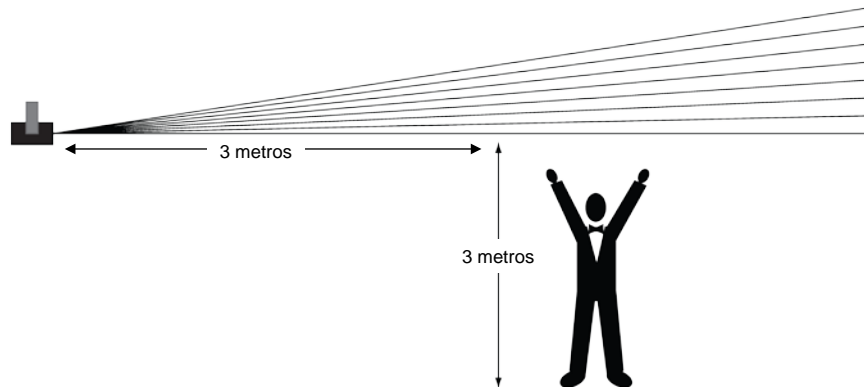
NO quite el soporte en ningún momento. Este producto está concebido para usarse con este soporte.



Uso Adecuado

Este producto es para montaje en alto solamente. Por seguridad, Chauvet recomienda montar los productos de efectos de iluminación sobre plataformas estables y elevadas, o en soportes en alto sólidos utilizando abrazaderas apropiadas para colgar. En todos los casos, utilice cables de seguridad. Obtenga el material de fijación apropiado de su proveedor de iluminación.

Las disposiciones internacionales de seguridad láser precisan que los productos de láser se manejen de la forma mostrada a continuación, con una separación vertical mínima de 3 metros (9,8 pies) entre el suelo y la luz láser más baja. Además, se requiere una separación horizontal de 3 metros entre la luz láser y los espectadores u otros espacios públicos.



¡CUIDADO! EL USO DE CONTROLES, AJUSTES O PROCEDIMIENTOS DISTINTOS A LOS QUE SE ESPECIFICAN EN ESTE MANUAL DE USUARIO PUEDEN CAUSAR EXPOSICIÓN PELIGROSA A LA RADIACIÓN.

4. FUNCIONAMIENTO



- Este producto no está diseñado para un uso continuo. Asegúrese de que hace descansos regulares durante su funcionamiento para maximizar la vida de su láser.
- Desconecte siempre el EZMiN™ Laser FX/RBX de la alimentación cuando no lo use.

Modo Manual

Acceda a los cuatro diferentes modos de funcionamiento disponibles en este producto utilizando el botón <MODE> en el panel frontal.

- Pulsar y mantener el botón <MODE> durante 2,5 segundos encenderá o apagará el producto.
- Pulse <MODE> para recorrer los modos.

| Modo | Descripción |
|------|--------------------------------|
| 1 | Activo por sonido A |
| 2 | Activo por sonido B |
| 3 | Automático A (efectos rápidos) |
| 4 | Automático B (efectos lentos) |

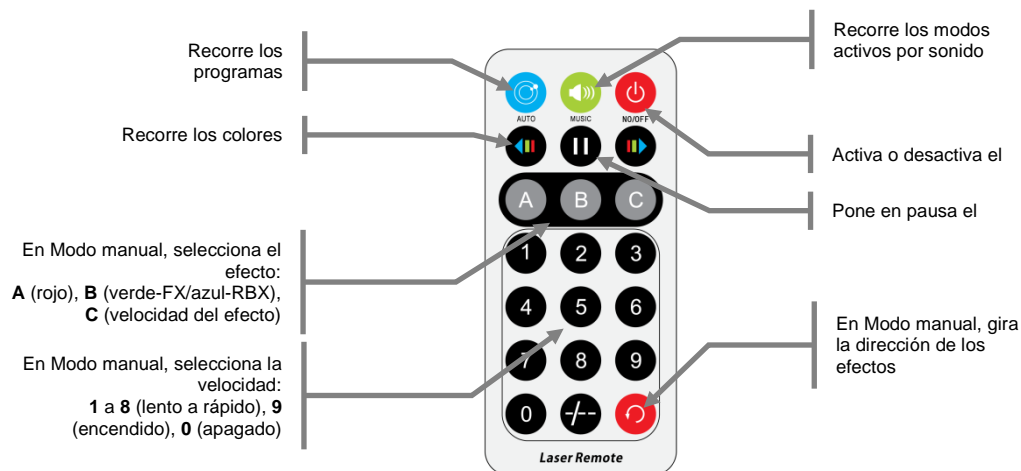


El indicador LED en el frontal del producto estará azul cuando se seleccione un modo Activo por sonido.

El indicador LED en el frontal del producto estará rojo cuando se seleccione un modo Automático.

Mando a Distancia Inalámbrico (IR)

El controlador remoto inalámbrico (IR) tiene preferencia inmediata sobre el botón <MODE>. No se requieren configuraciones adicionales.



En modo Activo por sonido

- Pulse de <1> (sensibilidad mínima) a <9> (sensibilidad máxima) en el IR para configurar la sensibilidad al sonido.

Nota: Cualquier control o configuración en el control remoto se guardará hasta que se reinicie el sistema. El sistema regresará a modo Automático después del reinicio.

5. INFORMACIÓN TÉCNICA

Mantenimiento del Producto

El polvo acumulado reduce el rendimiento de la salida de luz y puede provocar sobrecalentamiento. Para mantener un rendimiento óptimo, limpie el producto al menos dos veces al mes.

Sin embargo, el uso y las condiciones ambientales influyen para un aumento de la frecuencia de limpieza.

Para limpiar el producto, siga las instrucciones siguientes:

1. Desenchufe el producto de la alimentación.
2. Espere a que el producto esté a temperatura ambiente.
3. Use un aspirador (o aire seco comprimido) y un cepillo suave para quitar el polvo depositado en las superficies externas y los orificios de aireación de los ventiladores.
4. Limpie el panel de cristal (apertura del láser) con una solución suave de limpiador de cristales o alcohol isopropílico.
5. Aplique la solución directamente sobre un paño suave que no deje pelusa o un paño de limpiar lentes.
6. Con suavidad, quite todo el polvo o suciedad de los bordes externos del cristal.
7. Con cuidado, frote la superficie hasta que no quede turbiedad ni pelusas.



Seque siempre con cuidado las superficies de cristal después de limpiarlas.



**No gire el ventilador usando aire comprimido, puesto que podría estropearlo.
NO abra este producto para limpiarlo o repararlo.**

6. ESPECIFICACIONES TÉCNICAS

| Dimensiones y Peso | Largo | Ancho | Alto | Peso |
|-----------------------|---------------|---------------|--------------|-----------------|
| | 6,4" (163 mm) | 5,5" (140 mm) | 1,9" (48 mm) | 1,3 lb (0,1 kg) |

Nota: Las dimensiones en pulgadas están redondeadas al dígito decimal más próximo.

| Alimentación | Tensión de Entrada | Rango | Selección de Tensión |
|----------------------------------|--------------------|-------------------------|----------------------------------|
| | 12 VCC 1,0 A | 100 a 240 VCA, 50/60 Hz | Detección automática (autorango) |
| Parámetro | 120 V, 60 Hz | 230 V, 50 Hz | |
| Consumo | 1 W | 1 W | |
| Funcionamiento | 0,1 A | 0,1 A | |
| E/S Alimentación | US/Mundial | UK/Europa | |
| Enchufe de cable de alimentación | Edison (EE.UU.) | Enchufe local | |

Fuente de Luz

EZMiN™ Laser FX

| Tipo | Alimentación | Longitud de Onda |
|---------------|--------------|------------------|
| Láser (verde) | 50 mW | 532 nm |
| Láser (rojo) | 100 mW | 650 nm |

EZMiN™ Laser RBX

| Tipo | Alimentación | Longitud de Onda |
|--------------|--------------|------------------|
| Láser (azul) | 80 mW | 450 nm |
| Láser (rojo) | 100 mW | 650 nm |

Óptica Foto

| Parámetro | |
|---------------------|------|
| Ángulo de cobertura | 100° |

Batería

| Parámetro | |
|-------------------------------|---------------|
| Tiempo máx. de funcionamiento | Hasta 6 horas |
| Tiempo de recarga | Hasta 5 horas |

Térmicas

| Temp. externa máxima del láser | Sistema de Refrigeración |
|--------------------------------|--------------------------|
| 95 °F (35 °C) | Por ventilador |

Pedidos

| Nombre de Producto | Código de Pieza | Código UPC |
|--------------------|-----------------|--------------|
| EZMiN™ Laser FX | 10060763 | 781462211110 |
| EZMiN™ Laser RBX | 10060764 | 781462211127 |



DEVOLUCIONES

En caso de que necesite asistencia o devolver un producto:

- Si se encuentra en EE. UU., póngase en contacto con la Oficina Central de Chauvet
- Si se encuentra en el Reino Unido o Irlanda, póngase en contacto con Chauvet Europe Ltd.
- Si se encuentra en México, póngase en contacto con Chauvet Mexico.
- Si usted vive en el Benelux, póngase en contacto Chauvet Europa BVBA.
- Si se encuentra en cualquier otro país, NO contacte con Chauvet. Contacte con su distribuidor local. Vea www.chauvetlighting.com para distribuidores fuera de EE.UU., Reino Unido, Benelux, Irlanda o México.



Si se encuentra fuera de los EE.UU., Reino Unido o Irlanda, póngase en contacto con su distribuidor de registro y siga sus instrucciones sobre cómo devolverle a ellos los productos Chauvet. Visite www.chauvetlighting.com para detalles de contacto.

Llame a la oficina de Asistencia Técnica Chauvet correspondiente y pida un número de Autorización de Devolución de la mercancía (RMA) antes de enviar el producto. Esté preparado para proporcionar el número de modelo, número de serie y una breve descripción de la causa de la devolución.

Envíe la mercancía a portes pagados, en su caja original y con su embalaje y accesorios originales. Chauvet no expedirá etiquetas de devolución.

Etiquete el paquete claramente con el número de RMA. Chauvet rechazará cualquier producto devuelto sin un número de RMA.



Escriba el número de RMA en una etiqueta convenientemente adherida. NO escriba el número de RMA directamente sobre la caja.

Antes de enviar el producto, escriba claramente la siguiente información en una hoja de papel y colóquela dentro de la caja:

- Su nombre
- Su dirección
- Su número de teléfono
- Número de RMA
- Una breve descripción del problema

Asegúrese de que empaqueta el producto adecuadamente. Cualquier daño en el transporte que resulte de un empaquetado inadecuado será responsabilidad suya. Se recomienda empaquetado FedEx o de doble caja.



Chauvet se reserva el derecho de usar su propio criterio para reparar o reemplazar productos devueltos.

CONTACTO

OFICINA CENTRAL - Chauvet

Información general

Dirección: 5200 NW 108th Avenue
Sunrise, FL 33351

Voz: (954) 577-4455

Fax: (954) 929-5560

Número gratuito: (800) 762-1084

Servicio Técnico

Voz: (954) 577-4455 (Marque 4)

Fax: (954) 756-8015

Email: tech@chauvetlighting.com

World Wide Web

www.chauvetlighting.com

REINO UNIDO E IRLANDA - Chauvet Europe Ltd.

Información general

Dirección: Unit 1C
Brookhill Road Industrial Estate
Pinxton, Nottingham, UK
NG16 6NT

Voz: +44 (0)1773 511115

Fax: +44 (0)1773 511110

Servicio Técnico

Email: uktech@chauvetlighting.com

World Wide Web

www.chauvetlighting.co.uk

MÉXICO - Chauvet México

Información general

Dirección: Av. Santa Ana 30
Parque Industrial Lerma
Lerma, México C.P. 52000

Voz: +52 (728) 285-5000

Servicio Técnico

Email: servicio@chauvet.com.mx

World Wide Web

www.chauvet.com.mx

CHAUVET EUROPA - Chauvet Europe BVBA

Información general

Dirección: Stokstraat 18
9770 Kruishoutem
Bélgica

Voz: +32 9 388 93 97

Servicio Técnico

Email: Eutech@chauvetlighting.eu

World Wide Web

www.chauvetlighting.eu

Fuera de EE. UU., Reino Unido, Irlanda, México o Benelux, póngase en contacto con su proveedor. Siga sus instrucciones para pedir soporte o para devolver un producto. Visite www.chauvetlighting.com para detalles de contacto.

1. AVANT DE COMMENCER

Ce Qui est Compris

- Un EZMiN™ Laser FX/RBX
- Une alimentation externe
- Une lyre de suspension avec matériel de montage
- Un trépied polyvalent
- Une télécommande infrarouge
- Une fiche de garantie
- Un manuel d'utilisation

Instructions Relatives au Déballage

Déballer l'appareil avec précaution et vérifiez le contenu afin de vous assurer que rien ne vous manque et que tout est en bon état.

Réclamations




Si l'emballage ou le contenu (l'appareil et ses accessoires compris) semble avoir été endommagé pendant le transport, ou s'il présente des signes de manipulation sans précaution, veuillez dès réception en notifier immédiatement le transporteur et non Chauvet. Ne pas enregistrer votre réclamation auprès du transporteur en temps et en heure peut entraîner une non validation de celle-ci. De plus, gardez l'emballage et tous les matériaux d'emballage pour inspection.

Pour tout autre problème comme la non-livraison de pièces ou composants, des dommages non en rapport avec la livraison ou des vices cachés, veuillez déposer votre réclamation auprès de Chauvet dans les 7 jours suivant la livraison.

Conventions de ce Manuel

| Convention | Signification |
|---------------------------|---|
| 1—512 | Une plage de valeurs |
| 50/60 | Un ensemble de valeurs parmi lequel on ne peut en choisir qu'une |
| Settings | Une option de menu ne pouvant être modifiée |
| Menu > Settings | Une séquence d'options de menu à suivre |
| ENTER | Un bouton sur lequel appuyer sur le panneau de commande de l'appareil |
| ON | Une valeur à saisir ou à sélectionner |

Symboles

| Symbole | Signification |
|---|--|
|  | Consignes importantes en matière d'installation, de configuration et de fonctionnement. Le non-respect de ces consignes peut entraîner le non-fonctionnement de l'appareil ou lui causer des dommages. De même, l'utilisateur peut s'en trouver affecté. |
|  | Consignes importantes en matière d'installation ou de configuration. Le produit peut ne pas fonctionner correctement si ces instructions ne sont pas suivies. |
|  | Informations utiles |

Clause de Non-Responsabilité

Les informations et caractéristiques contenues dans ce manuel sont sujettes à changement sans préavis. Chauvet® ne saura être tenu responsable pour toute erreur ou omission pouvant être contenue dans ce manuel. De plus Chauvet se réserve le droit de revoir ou réécrire ce manuel à tout moment. Téléchargez la dernière version de ce manuel sur www.chauvetlighting.com.

© Copyright 2015 Chauvet. Tous droits réservés.

Imprimé en République Populaire de Chine

Publié électroniquement par Chauvet aux États-Unis.

Consignes de Sécurité

Ce manuel d'utilisation reprend d'importantes informations en matière de consignes de sécurité des lasers. Lisez et assimilez ces consignes avant de mettre votre unité sous tension pour la première fois. Connaître ces consignes de sécurité est essentiel car vous éviterez ainsi des blessures oculaires et ne vous trouverez pas en infraction avec la loi. Gardez ce manuel dans un endroit sûr pour référence future.



LISEZ ET ASSIMILEZ IMPÉRATIVEMENT TOUTES LES CONSIGNES DE SÉCURITÉ EN MATIÈRE DE LASER



- Les lasers peuvent s'avérer dangereux et font l'objet de consignes de sécurité spécifiques. Une mauvaise utilisation des lasers pourrait entraîner une cécité totale ou causer des lésions oculaires. Portez une attention particulière aux libellés portant la mention **AVERTISSEMENT** ou **REMARQUE** dans ce manuel d'utilisation. Lisez et assimilez toutes les consignes **AVANT** de mettre cet appareil en marche pour la première fois.
- Connectez toujours l'appareil à un circuit relié à la terre afin d'éviter tout risque d'électrocution.
- Déconnectez toujours de l'alimentation principale avant de procéder à tout entretien.
- Évitez tout contact visuel direct avec la source lumineuse quand cet appareil est en marche
- Assurez-vous que le cordon d'alimentation n'est ni tordu ni endommagé.
- Ne débranchez jamais cet appareil en tirant sur le cordon.
- Si vous installez l'appareil en hauteur, utilisez impérativement une élingue de sécurité pour le sécuriser au dispositif de fixation.
- Ne laissez aucun produit inflammable dans un rayon de 50 cm de l'appareil lorsque celui-ci fonctionne.
- Ne touchez pas cet appareil lors de son fonctionnement car il pourrait s'avérer brûlant.
- Ne retirez sous aucun prétexte les fixations de montage. Cet appareil doit être impérativement utilisé avec les fixations.



- **Cet appareil n'est pas conçu pour être utilisé dans une installation permanente.**
- Veillez toujours à ce que la tension de la prise à laquelle vous branchez l'appareil soit comprise dans la plage indiquée sur l'étiquette ou à l'arrière de l'appareil.
- Cet appareil doit être utilisé en intérieur uniquement ! (IP20). Afin d'éviter tout risque d'incendie ou décharge électrique, veillez à n'exposer cet appareil ni à la pluie ni à l'humidité.
- Installez toujours cet appareil dans un endroit bien ventilé, à au moins 20 pouces (50 cm) des surfaces adjacentes.
- Assurez-vous qu'aucune fente de ventilation sur le boîtier de l'appareil ne soit obstruée.
- Ne connectez jamais cet appareil à un gradateur.
- Transportez ce produit uniquement au moyen de la poignée dont il est doté.
- Mettre l'appareil hors/sous tension à de brefs intervalles est fortement déconseillé. La durée de vie de la diode laser s'en trouverait fortement réduite.
- Ne secouez pas l'appareil. Évitez tout geste brusque lors de l'installation ou de l'utilisation de l'appareil.
- Utilisez **TOUJOURS** un câble de sécurité lorsque vous montez cet appareil en hauteur.
- La plage de température ambiante de fonctionnement pour le laser est de 15 °C à 35 °C (59 °F à 95 °F). Ne faites pas fonctionner cet appareil à des températures en dehors de cette plage.
- En cas de sérieux problèmes de fonctionnement, arrêtez le système immédiatement.
- N'essayez jamais de réparer cet appareil. Toute réparation effectuée par une personne non qualifiée peut entraîner des dommages ou un fonctionnement erratique de l'appareil. Mettez-vous en relation avec le centre d'assistance technique autorisé le plus près de chez vous.
- Durant les périodes de non-utilisation, pour éviter toute usure inutile et pour prolonger la durée de vie, déconnectez-entièrement l'appareil en le débranchant de l'alimentation électrique ou en coupant le disjoncteur.



- Lumière laser : évitez tout contact direct avec les yeux ! N'exposez jamais intentionnellement directement vos yeux ou ceux d'autres personnes à la lumière du laser.
- Cet appareil laser peut entraîner une cécité totale ou causer des lésions oculaires instantanées si le laser entre en contact direct avec les yeux.
- Il est illégal et dangereux de diriger ce laser vers les zones destinées au public, zones où les yeux des membres du public ou du personnel pourraient être en contact direct avec les rayons laser ou des réfléchissements lumineux.
- Ne pointez pas de laser sur les avions, ceci est répréhensible par la loi.
- L'utilisation des commandes, réglages ou procédures autres que celles spécifiées ci-après peut entraîner de dangereuses expositions à des radiations.
- N'essayez JAMAIS de réparer l'appareil vous-même. Les réparations et entretiens doivent être effectués par un technicien agréé. **Toute modification non autorisée apportée à l'appareil est strictement interdite pour raison de sécurité !**



- Conservez ce manuel d'utilisation pour référence future. Si vous étiez amené à vendre cet appareil à un autre utilisateur, veillez à lui remettre ce manuel également.

**Avertissement :
Boîtier non
Verrouillable**

- Cet appareil renferme un laser très puissant.
- N'ouvrez jamais le boîtier du laser, vous pourriez être exposé à des niveaux dangereux de radiation laser.
- L'intensité du laser à l'ouverture du boîtier peut entraîner instantanément une cécité, des brûlures cutanées ou des incendies.

**Consignes de
Sécurité
Relatives au
Laser**



**PRENEZ LE TEMPS DE LIRE ET ASSIMILEZ
LES CONSIGNES DE SÉCURITÉ RELATIVES
AU LASER CI-DESSOUS**



La source de lumière émise d'un laser est très différente de toute autre source de lumière. La lumière émise par cet appareil peut entraîner des lésions oculaires si celui-ci n'est pas correctement installé et utilisé. La lumière d'un laser est des milliers de fois plus concentrée que toute autre source lumineuse. Cette concentration de lumière peut causer des blessures oculaires instantanées, essentiellement par une brûlure de la rétine (l'arrière de votre œil contient des cellules extrêmement sensibles à la lumière). Même si vous ne ressentez pas de « chaleur » provenant du faisceau lumineux, il peut quand même être à l'origine de blessure ou de cécité, pour vous ou votre public. Une faible radiation en provenance du faisceau lumineux du laser peut s'avérer potentiellement dangereuse, même à de longues distances. Des blessures oculaires dues au laser peuvent survenir avant même que vous n'ayez eu le temps de cligner des yeux.

Il serait **ERRONÉ** de croire que puisque les appareils laser destinés au divertissement divisent le faisceau en centaines de faisceaux et que les faisceaux laser sont balayés rapidement, un faisceau laser individuel est sans danger pour les yeux. Ce laser utilise des dizaines de milliwatts de puissance (niveaux internes de classe 3B) avant de se diviser en de multiples faisceaux (niveaux de classe 3R). De nombreux faisceaux individuels sont potentiellement dangereux pour les yeux.

Il serait également **ERRONÉ** de croire que puisque la lumière laser est mobile, elle est inoffensive. L'utilisation des lasers ne se fait jamais sans risque. De plus, gardez à l'esprit que celle-ci n'est pas toujours mobile. Puisque les blessures oculaires peuvent apparaître instantanément, il est indispensable d'empêcher LA MOINDRE exposition directe des yeux. Selon la réglementation de sécurité relative aux lasers, il est interdit de diriger des lasers de classe 3R là où le public pourrait être en contact avec ces faisceaux. Ceci est également valable s'ils sont dirigés en-dessous du visage des gens, comme sur une piste de danse.



- Ne faites pas fonctionner le laser avant d'avoir lu et compris toutes les données techniques et de sécurité contenues dans ce manuel.
- **Veillez TOUJOURS configurer et installer les effets laser de manière à ce que leur lumière soit projetée à minimum 3 mètres (9,8 pieds) au-dessus du sol sur lequel les gens se tiennent. Référez-vous à la section [Utilisation Adéquate](#) de ce manuel.**
- Après installation et avant utilisation publique, veuillez tester le laser afin de vous assurer de son bon fonctionnement. Ne l'utilisez pas si vous détectez un défaut.
- **NE l'utilisez PAS** non plus si le laser émet uniquement un ou deux faisceaux au lieu de dizaines ou de centaines, car cela pourrait endommager votre diffraction optique et permettre l'émission de niveaux de laser plus élevés que de classe R.
- **NE pointez PAS** le laser sur les gens ou les animaux.
- Ne regardez jamais l'ouverture ou les faisceaux laser.
- **NE pointez PAS** de lasers dans les endroits où les gens pourraient potentiellement y être exposés, tels que les balcons, etc.
- **NE pointez PAS** de laser sur des surfaces hautement réfléchissantes, telles que les fenêtres, les miroirs ou du métal réverbérant. Même les reflets des lasers peuvent être dangereux.
- Ne pointez pas de laser sur les avions, ceci est répréhensible par la loi.
- Ne pointez pas des faisceaux de laser très longue portée dans le ciel.
- N'exposez pas la sortie optique (ouverture) à des produits chimiques.
- N'utilisez pas le laser si le boîtier est endommagé, ouvert, ou si l'optique semble endommagée en quoique ce soit.
- N'ouvrez pas le boîtier du laser. La forte intensité du laser à l'intérieur du boîtier de protection peut entraîner des incendies, des brûlures corporelles ou des blessures oculaires instantanées.
- Ne laissez jamais l'appareil fonctionner sans surveillance.
- Le fonctionnement d'appareils laser de classe 3R n'est autorisé que s'il est contrôlé par un utilisateur expérimenté et adéquatement formé, ayant assimilé les données présentées dans ce manuel.
- Les obligations légales d'utilisation des produits laser pour les loisirs varient de pays en pays. L'utilisateur est tenu de respecter les obligations légales du pays/de la salle dans lequel il l'utilise.

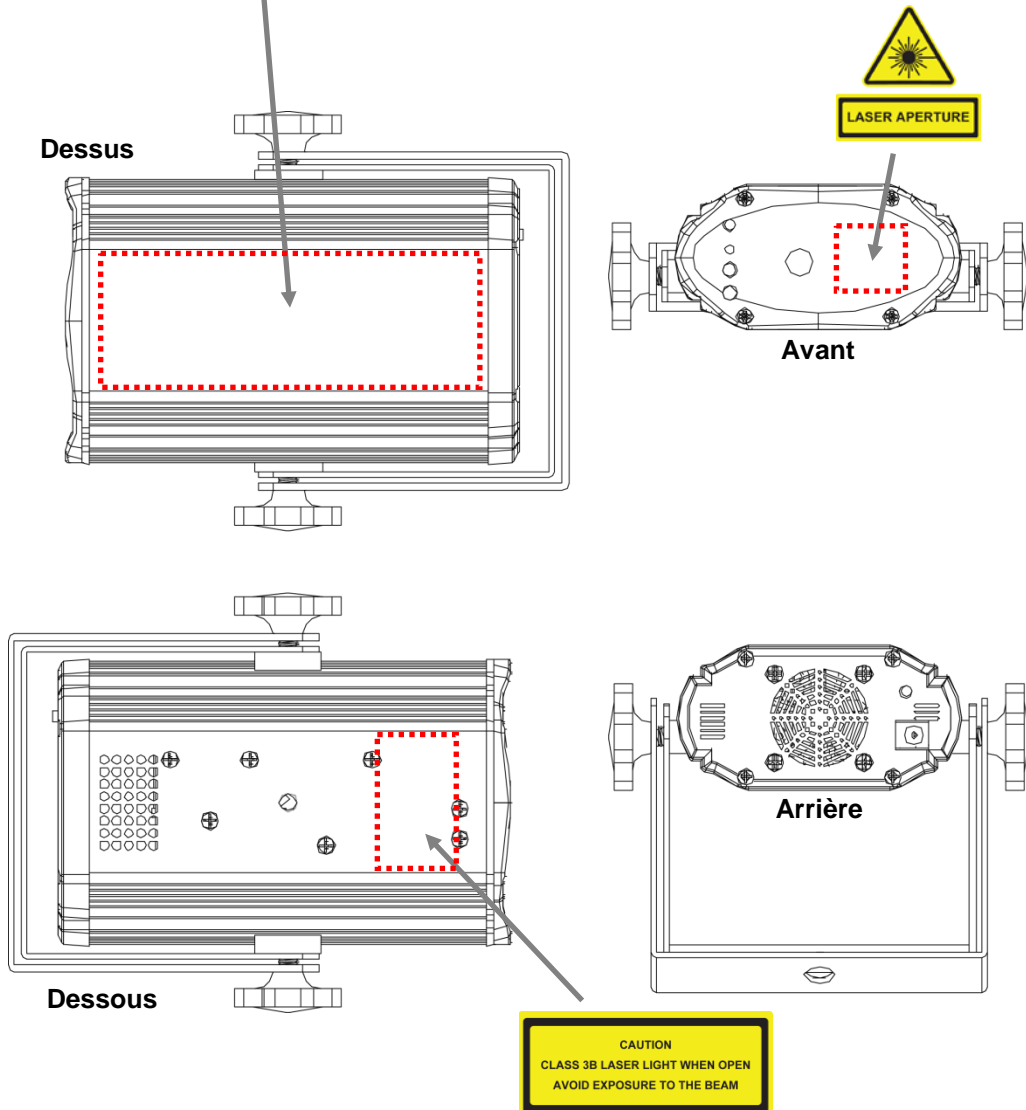


ATTENTION : n'utilisez PAS cet appareil de manière non indiquée dans ce manuel d'utilisateur. Le non-respect des instructions entraînera l'annulation de la garantie et peut également endommager l'appareil ou causer des blessures aussi bien à l'utilisateur qu'au public.

ATTENTION : vous ne pouvez disposer de cet appareil avec les déchets ménagers. Prenez contact avec votre service régional de gestion des déchets pour connaître les procédures de recyclage des appareils électroniques de votre zone.

Reproductions des Etiquettes en Matière de Sécurité des Appareils Laser

| | | |
|---|--|--|
|  | | <p>LASER LIGHT AVOID DIRECT EYE EXPOSURE CLASS 3R LASER PRODUCT 50 mW, 532 nm / 100 mW, 650 nm Classified per EN/IEC 60825-1:2007</p> |
| <p>CHAUVET WORLDWIDE HEADQUARTERS SUNRISE, FLORIDA USA</p> | | |
| <p>CHAUVET <i>Value - Innovation - Performance</i></p> | | <p>RoHS </p> |
| <p>MODEL: EZMIN™ Laser FX ITEM CODE: 10060763 VOLTAGE: 12 VDC, 1.0 A LIGHT SOURCE: LASER ORIGIN: MADE IN P.R.C.</p> | | <p>USA/CANADA Power: AC 100~125 V, 60 Hz 0.1 A, 1 W</p> <p>WORLDWIDE Power: AC 100~240 V, 50 Hz 0.1 A, 1 W</p> |



Avertissement d'Exposition au Laser



LUMIÈRE LASER, ÉVITEZ L'EXPOSITION DIRECTE AVEC LES YEUX

Des lignes directrices et programmes de sécurité supplémentaires pour une utilisation des lasers en toute sécurité peuvent être consultés dans le texte de la norme ANSI Z136.1 "For Safe Use of Lasers" ("Pour une utilisation des lasers en toute sécurité"), disponible sur le site www.laserinstitute.org du Laser Institute of America. Une multitude de gouvernements, grandes entreprises, agences, forces armées et autres, exige que les utilisateurs d'appareils laser suivent les lignes directrices de la norme ANSI Z136.1. Le guide des spectacles laser peut être obtenu auprès de l'International Laser Display Association (l'association internationale du spectacle laser) sur leur site www.laserist.org.

Données d'Emission Laser

EZMiN™ Laser FX

| | |
|--|--|
| Classification du laser | Classe 3R |
| Laser vert | DPSS (laser solide pompé par diode) Nd:YVO4, 532 nm |
| Laser rouge | LD GaAlAs, 650 nm |
| Diamètre de faisceau | < 5 mm à l'ouverture |
| Données d'impulsion | Toute impulsion < 4 Hz (> 0,25 s) |
| Divergence (chaque faisceau) | < 2 mrad |
| Divergence (éclairage dans son ensemble) | < 160 ° |
| Puissance de laser de chacune Faisceau depuis ouverture* | < 5 mW |

EZMiN™ Laser RBX

| | |
|--|-----------------------------------|
| Classification du laser | Classe 3R |
| Laser bleu | LD InGaN, 450 nm |
| Laser rouge | LD GaAlAs, 650 nm |
| Diamètre de faisceau | < 5 mm à l'ouverture |
| Données d'impulsion | Toute impulsion < 4 Hz (> 0,25 s) |
| Divergence (chaque faisceau) | < 2 mrad |
| Divergence (éclairage dans son ensemble) | < 160 ° |
| Puissance de laser de chacune Faisceau depuis ouverture* | < 5 mW |

* Comme mesuré selon les conditions de mesure CEI pour la classification.

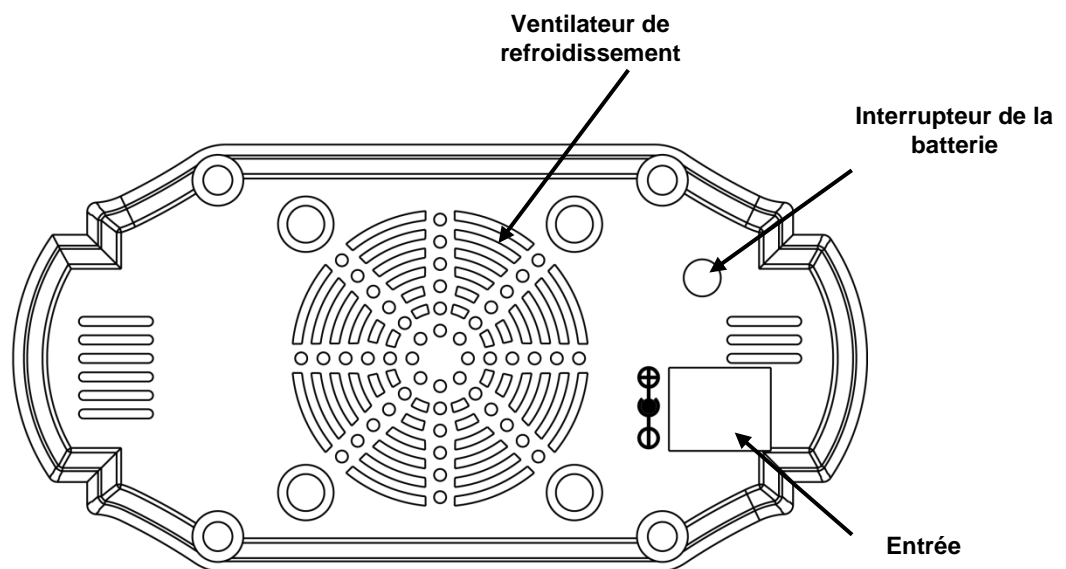
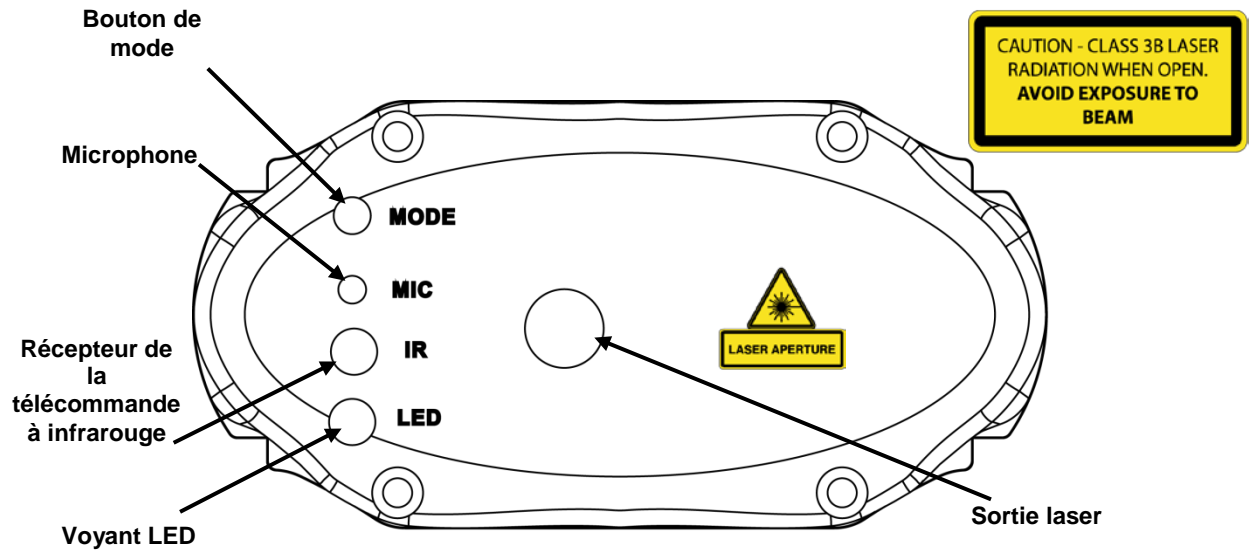
Déclaration de Conformité du Laser



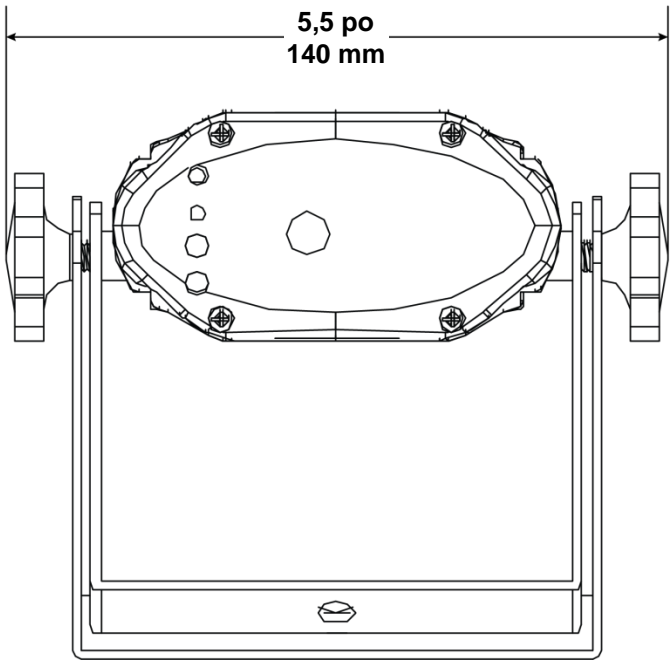
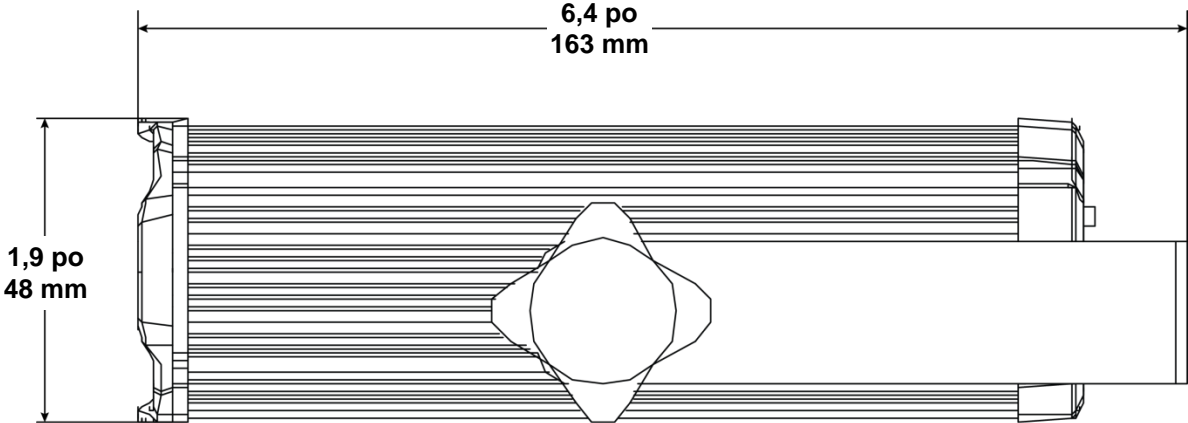
Cet appareil laser répond aux normes EN/CEI 60825-1 Ed 2, 2007-03 et US FDA/CDRH FLPPS selon les termes de la notice de laser n°50 en date du 24 juin 2007. Cet appareil laser est classé 3R. (La classe 3R est la classe équivalent à la classe IIIa aux États-Unis). Aucune maintenance n'est nécessaire pour le maintien de la conformité aux normes de performance laser de cet appareil.

2. INTRODUCTION

Aperçu



Dimensions



3. CONFIGURATION

Alimentation CA

L'EZMiN™ Laser FX/RBX est doté d'une alimentation universelle prenant en charge toute tension d'entrée comprise entre 100 et 240 VCA, 50/60 Hz.

Pour déterminer les exigences en puissance de votre appareil (court-circuit, prise d'alimentation et câblage), consultez la valeur reprise sur l'étiquette apposée sur le panneau arrière du produit ou référez-vous aux [Spécificités Techniques](#). La capacité nominale affichée indique la consommation courante de l'appareil dans des conditions normales d'utilisation.



- **Connectez toujours l'appareil à un circuit protégé (disjoncteur ou fusible). Assurez-vous que l'appareil soit correctement relié à la terre afin d'éviter tout risque d'électrocution ou d'incendie.**
- **Durant les périodes de non-utilisation, pour éviter toute usure inutile et pour prolonger la durée de vie, déconnectez-entièrement l'appareil en le débranchant de l'alimentation électrique ou en coupant le disjoncteur.**



Ne connectez jamais l'appareil à un rhéostat (résistance variable) ou un circuit voileur, même si vous n'avez l'intention de vous servir du rhéostat ou canal de gradation que comme interrupteur 0 à 100 %.

Chargement de la Batterie

L'EZMiN™ Laser FX/RBX est doté d'une batterie au lithium rechargeable pour un fonctionnement sans fil. Pour charger la batterie, il vous suffit de brancher le cordon d'alimentation à tout moment - avant, pendant ou après son utilisation.



La batterie de l'EZMiN™ Laser FX/RBX doit être chargée pendant 24 h avant sa première utilisation pour en assurer une durée de vie optimale.

Autonomie de la Batterie

La batterie du EZMiN™ Laser FX/RBX peut fonctionner pendant une durée maximale de 6 heures. Toutefois, le mode de fonctionnement choisi affectera son autonomie finale. Pour une autonomie optimale, optez pour le mode musical uniquement. Utiliser les modes automatiques peut entraîner une diminution de l'autonomie de la batterie.

Entretien de la Batterie

Pour garantir des conditions de fonctionnement optimales de la batterie, conservez l'appareil dans un endroit frais et sec, et rechargez-la une fois tous les 30 jours lorsque vous ne l'utilisez pas.

Évitez d'exposer la batterie à des températures extrêmes. Si l'appareil venait à être exposé à des températures extrêmes, chaudes ou froides, refroidissez- ou réchauffez-le avant chargement ou utilisation.

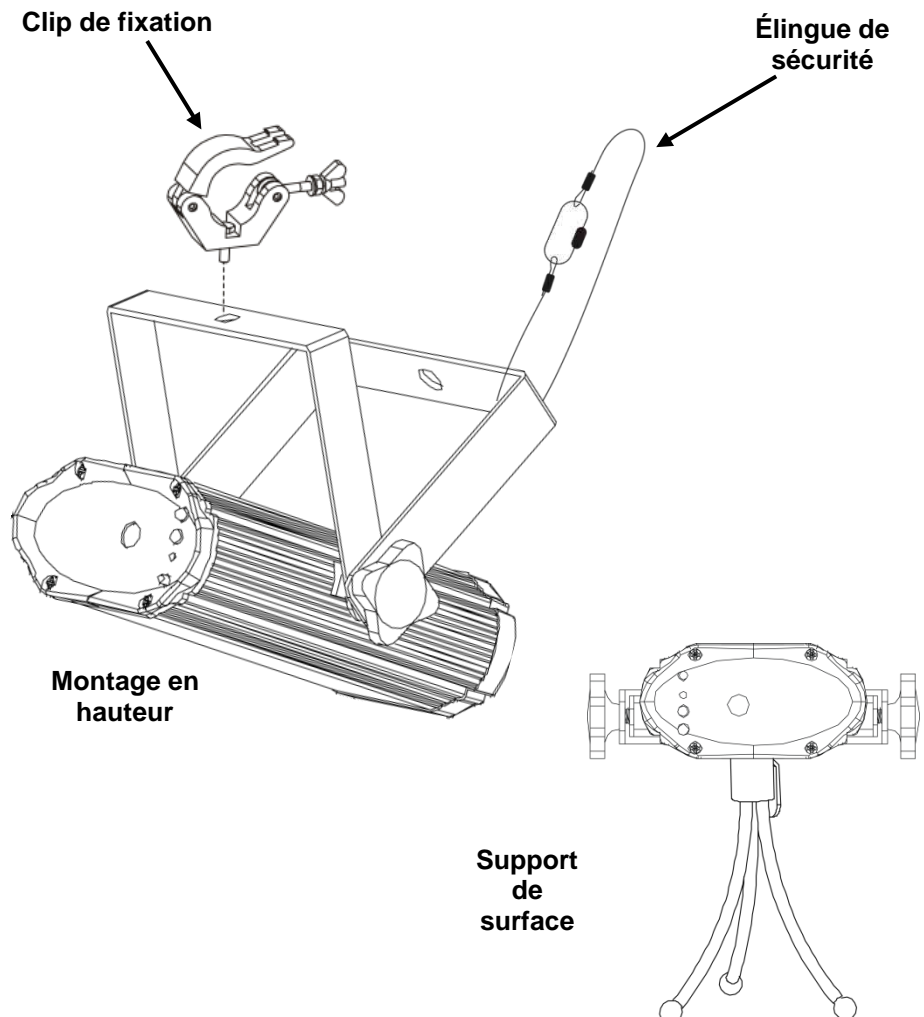
Installation Avant d'installer ce produit, lisez, assimilez et suivez les recommandations en matière de sécurité reprises dans la section [Consignes de Sécurité](#).

Orientation L'EZMiN™ Laser FX/RBX doit être monté de manière à garantir l'usage en toute sécurité du laser. Assurez-vous que la ventilation de cet appareil puisse s'effectuer de manière adéquate.

- Suspension**
- Avant de choisir un emplacement pour l'appareil, assurez-vous qu'il soit facile d'accéder pour toute opération de maintenance et de programmation.
 - Assurez-vous que la structure ou la surface sur laquelle vous installez l'appareil peut en supporter le poids (voir les [Spécificités Techniques](#)).
 - Utilisez toujours un câble de sécurité lorsque vous montez cet appareil en hauteur. Garantissez un montage en toute sécurité de l'appareil en le reliant à un point de fixation, comme une plateforme en hauteur ou une structure.
 - Lors de la suspension de l'appareil à une structure, vous devriez utiliser un clip de fixation en mesure de supporter la charge nécessaire. La lyre double comporte de multiples orifices de 13 mm à cet effet.
 - Les molettes de réglage de la fixation permettent d'ajuster la position de l'appareil lors de son positionnement à l'angle désiré. N'utilisez aucun outil pour relâcher ou resserrer les molettes de la fixation. En utiliser pourrait endommager les molettes.
 - Le trépied polyvalent inclus sert également de support de surface. Voir la section [Utilisation Adéquate](#).



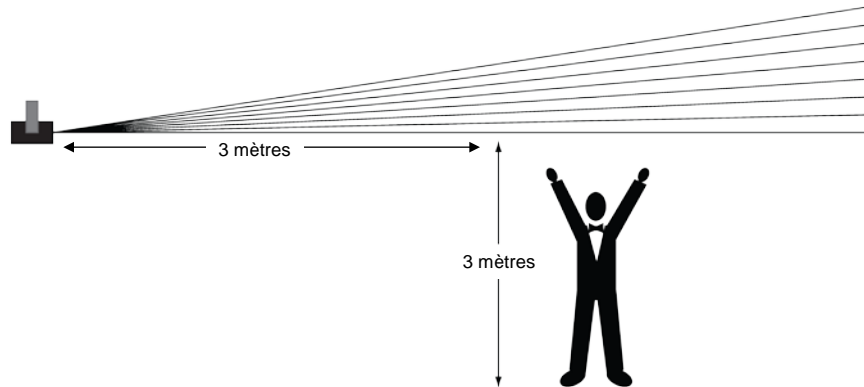
NE retirez sous aucun prétexte les fixations de montage. Cet appareil doit être impérativement utilisé avec les fixations.



Utilisation Adéquate

Cet appareil doit être monté en hauteur uniquement. Pour des raisons de sécurité, Chauvet recommande de monter vos éclairages sur une plateforme élevée stable ou des supports en hauteur renforcés au moyen de systèmes de suspension adéquats. Vous devez, dans tous les cas, utiliser des élingues de sécurité. Le matériel de montage approprié peut être acquis auprès de votre revendeur d'éclairage.

Les réglementations internationales en matière de sécurité des appareils laser exigent que ceux-ci soient installés de manière à ce qu'un minimum de 3 mètres de séparation à la verticale existe entre le sol et la lumière laser la plus basse projetée. De plus, une séparation de 3 mètres à l'horizontal doit être respectée entre toute lumière laser émise et les membres du public ou autres espaces publics.



ATTENTION : L'UTILISATION DES COMMANDES, REGLAGES OU PROCEDURES AUTRES QUE CELLES SPECIFIEES DANS CE MANUEL D'UTILISATION PEUT ENTRAINER DE DANGEREUSES EXPOSITIONS A DES RADIATIONS.

4. FONCTIONNEMENT



- Cet appareil ne doit pas fonctionner de manière continue. Afin de maximiser la durée de vie de votre laser, veillez à le mettre en pause régulièrement.
- Débranchez toujours l'EZMIN™ Laser FX/RBX quand il n'est pas utilisé.

Mode Manuel

Accédez aux quatre différents modes de fonctionnement disponibles de cet appareil en utilisant le bouton **<MODE>** à l'avant de l'appareil.

- Pressez et maintenez-le enfoncé pendant 2,5 s pour mettre l'appareil sous ou hors tension.
- Pressez **<MODE>** pour parcourir les modes.

| Mode | Description |
|------|--------------------------------|
| 1 | Musical A |
| 2 | Musical B |
| 3 | Automatique A (effets rapides) |
| 4 | Automatique B (effets lents) |

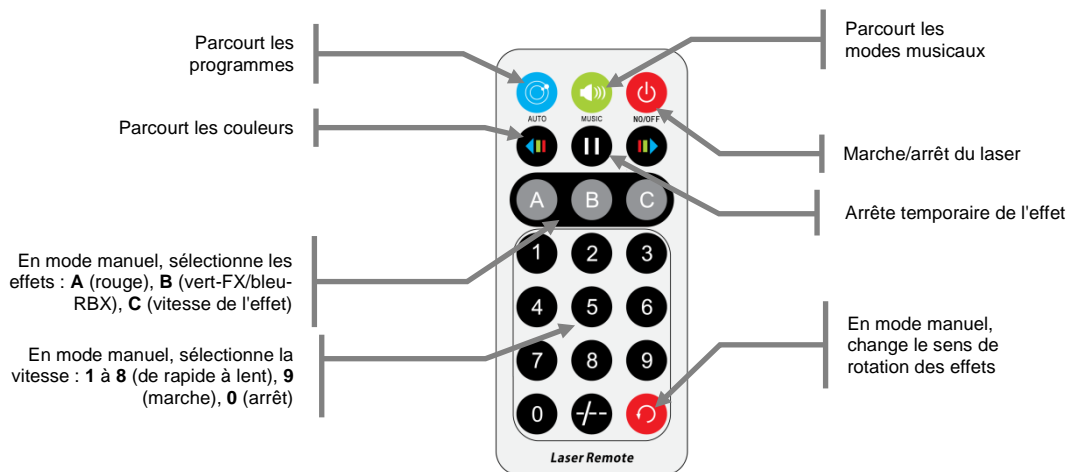


Le voyant LED à l'avant de l'appareil sera de couleur bleue quand le mode musical est sélectionné.

Le voyant LED à l'avant de l'appareil sera de couleur rouge quand le mode automatique est sélectionné.

Télécommande Sans Fil (Infrarouge)

La télécommande à infrarouge (IR) prévaut automatiquement sur le bouton **<MODE>**. Aucune autre configuration n'est requise !



En mode musical :

- Appuyez de **<1>** (le moins sensible) à **<9>** (le plus sensible) sur la télécommande IR pour définir la sensibilité.



Remarque : Toute commande ou configuration sur la télécommande sera enregistrée jusqu'à redémarrage du système. Une fois redémarré, le système reviendra au mode automatique.

5. INFORMATIONS TECHNIQUES

Entretien de l'Appareil

L'accumulation de poussière réduit la sortie de lumière et peut entraîner une surchauffe de l'appareil. Pour un fonctionnement optimal, nettoyez l'appareil au moins deux fois par mois. Les conditions environnementales et d'utilisation peuvent toutefois exiger un nettoyage plus fréquent.

Pour nettoyer le produit, suivez les instructions comme indiquées ci-après :

1. Mettez l'appareil hors tension.
2. Attendez que celui-ci soit à température de la pièce.
3. Utilisez un aspirateur (ou de l'air comprimé sec) et une brosse douce pour enlever la poussière accumulée sur les surfaces et ventilations externes.
4. Nettoyez le panneau de verre (ouverture du laser) avec un nettoyant pour vitre ou de l'alcool isopropylique.
5. Appliquez la solution directement sur un tissu doux en coton non pelucheux ou un tissu optique.
6. Nettoyez en douceur toute trace de saleté ou d'impureté vers les bords extérieurs des surfaces en verre.
7. Polissez en douceur ces surfaces jusqu'à ce que toute peluche ou trace ait disparu.



Assurez-vous de bien sécher toutes les surfaces en verre après les avoir nettoyées.



Ne faites pas tourner le ventilateur de refroidissement en utilisant de l'air comprimé car vous pourriez l'endommager.

N'ouvrez PAS cette unité lorsque vous procédez à son nettoyage ou sa révision.

6. SPECIFICITES TECHNIQUES

| Dimensions et Poids | Longueur | Largeur | Hauteur | Poids |
|---------------------|---------------------|---------------------|--------------------|-----------------|
| | 6,4 pouces (163 mm) | 5,5 pouces (140 mm) | 1,9 pouces (48 mm) | 1,3 lb (0,6 kg) |

À noter : Les dimensions en pouces sont arrondies à la décimale la plus proche.

| Alimentation | Tension d'Entrée | Plage | Sélection de Puissance |
|--------------------------------|-------------------------|-------------------------|------------------------|
| | 12 VCC 1 A | 100 à 240 VCA, 50/60 Hz | Universelle |
| Paramètre | 120 V, 60 Hz | 230 V, 50 Hz | |
| Consommation | 1 W | 1 W | |
| En fonctionnement | 0,1 A | 0,1 A | |
| E/S d'Alimentation | États-Unis/Monde Entier | Royaume-Uni/Europe | |
| Prise du cordon d'alimentation | Edison (États-Unis) | Prise locale | |

Source Lumineuse

EZMiN™ Laser FX

| Type | Alimentation | Longueur d'onde |
|---------------|--------------|-----------------|
| Laser (vert) | 50 mW | 532 nm |
| Laser (rouge) | 100 mW | 650 nm |

EZMiN™ Laser RBX

| Type | Alimentation | Longueur d'Onde |
|---------------|--------------|-----------------|
| Laser (bleu) | 80 mW | 450 nm |
| Laser (rouge) | 100 mW | 650 nm |

| Photo-optique | Paramètre |
|---------------|-------------------|
| | Angle d'éclairage |

| Batterie | Paramètre |
|---------------------|------------------------------|
| | Durée d'utilisation maximale |
| Durée de chargement | Jusqu'à 5 heures |

| Thermique | Température externe maximum du laser | Système de Refroidissement |
|-----------|--------------------------------------|---------------------------------|
| | 35 °C (95 °F) | Refroidissement par ventilateur |

| Commander | Nom de l'Appareil | Code de l'Article | Code UPC |
|-----------|-------------------|-------------------|--------------|
| | EZMiN™ Laser FX | 10060763 | 781462211110 |
| | EZMiN™ Laser RBX | 10060764 | 781462211127 |



RENOIS

Dans le cas où vous avez besoin d'aide ou pour retourner un produit :

- Si vous résidez aux États-Unis, contactez le siège mondial de Chauvet.
- Si vous vivez au Royaume-Uni ou en Irlande, contactez Chauvet Europe Ltd.
- Si vous vivez au Mexique, contactez Chauvet Mexico.
- Si vous habitez dans le Benelux, contactez Chauvet Europe BVBA.
- Si vous résidez n'importe où ailleurs, NE contactez pas Chauvet. Contactez votre revendeur. Rendez-vous sur www.chauvetlighting.com pour découvrir la liste des revendeurs en dehors des États-Unis, du Royaume-Uni, de l'Irlande, Benelux ou du Mexique.



Si vous résidez en dehors des États-Unis, du Royaume-Uni et de l'Irlande, contactez votre revendeur et suivez leurs instructions quant à la procédure à suivre pour renvoyer votre appareil. Consultez notre site Web www.chauvetlighting.com pour trouver leurs coordonnées.

Téléphonez au centre d'assistance technique de Chauvet correspondant et demandez un numéro d'autorisation de retour (NAR) avant de nous réexpédier l'appareil. Pour l'obtenir, il vous sera demandé de fournir le numéro du modèle, le numéro de série ainsi qu'une brève description de l'objet du retour.

Vous devez nous retourner la marchandise en port prépayé, dans ses boîte et emballage d'origine et avec tous ses accessoires. Chauvet ne délivrera pas d'étiquettes de renvoi.

Indiquez lisiblement le NAR sur une étiquette apposée sur le colis. Chauvet refusera la réception de tout appareil pour lequel aucun NAR n'a été demandé.



Inscrivez le NAR sur une étiquette convenablement collée. N'écrivez PAS le NAR directement sur le colis.

Avant de nous retourner le colis, inscrivez les informations suivantes, de manière lisible, sur une feuille de papier, que vous placerez à l'intérieur du colis:

- Votre nom
- Votre adresse
- Votre numéro de téléphone
- Le numéro de NAR
- Une courte description du problème

Veillez à emballer l'appareil de manière adéquate. Vous serez tenu responsable de tout dommage survenant lors de l'expédition de retour dû à un emballage inadéquat. Nous vous recommandons d'utiliser un emballage double ou celui de FedEx.



Chauvet se réserve le droit, à sa convenance, de réparer ou remplacer tout appareil qui lui est retourné.

NOUS CONTACTER

SIEGE MONDIAL - Chauvet

Informations générales

Adresse : 5200 NW 108th Avenue
Sunrise, FL 33351

Téléphone : (954) 577-4455

Fax : (954) 929-5560

Numéro vert : (800) 762-1084

Support technique

Téléphone : (954) 577-4455 (choix 4)

Fax : (954) 756-8015

Courriel : tech@chauvetlighting.com

Site internet : www.chauvetlighting.com

ROYAUME-UNI ET IRLANDE - Chauvet Europe Ltd.

Informations générales

Adresse : Unit 1C
Brookhill Road Industrial Estate
Pinxton, Nottingham, UK
NG16 6NT

Téléphone : +44 (0)1773 511115

Fax : +44 (0)1773 511110

Support technique

Courriel : uktech@chauvetlighting.com

Site internet : www.chauvetlighting.co.uk

MEXIQUE - Chauvet Mexico

Informations générales

Adresse : Av. Santa Ana 30
Parque Industrial Lerma
Lerma, Mexico C.P. 52000

Téléphone : +52 (728) 285-5000

Support technique

Courriel : servicio@chauvet.com.mx

Site internet : www.chauvet.com.mx

CHAUVET EUROPE - Chauvet Europe BVBA

Informations générales

Adresse : Stokstraat 18
9770 Kruishoutem
Belgique

Téléphone : +32 9 388 93 97

Support technique

Courriel : Eutech@chauvetlighting.eu

Site internet : www.chauvetlighting.eu

En dehors des États-Unis, du Royaume-Uni, de l'Irlande, du Mexique ou du Benelux, veuillez contacter votre revendeur. Suivez leurs instructions pour demander assistance ou pour retourner un produit. Consultez notre site Web pour trouver leurs coordonnées.