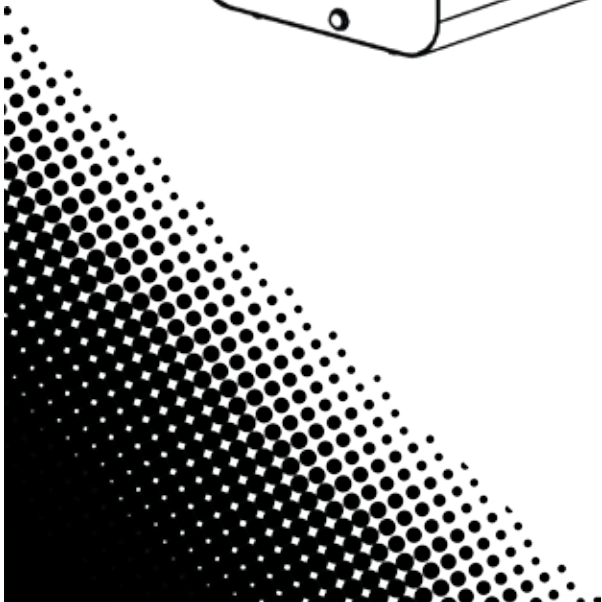
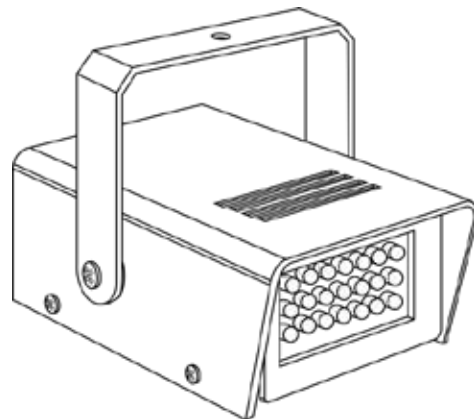
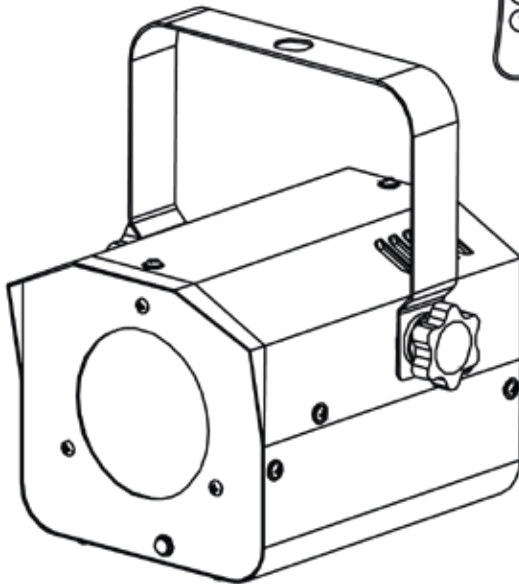
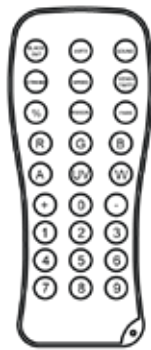




**PACK**  
**RUBY**

## User Manual



  
**CHAUVET**

---

# TABLE OF CONTENTS

<b>1. Before You Begin</b> .....	<b>3</b>
What Is Included .....	3
Unpacking Instructions .....	3
Claims.....	3
Text Conventions .....	3
Symbols .....	3
Disclaimer .....	3
Product at a Glance .....	4
Safety Notes.....	4
<b>2. Introduction</b> .....	<b>5</b>
Product Overviews .....	5
Moonflower .....	5
Mini Strobe™ LED.....	5
Product Dimensions .....	5
Moonflower .....	5
Mini Strobe™ LED.....	5
<b>3. Setup</b> .....	<b>6</b>
AC Power .....	6
Mounting .....	6
Orientation .....	6
Rigging .....	6
<b>4. Operation</b> .....	<b>7</b>
Infrared Remote Control.....	7
IRC-6 Operation.....	7
Mini Strobe™ LED Operation .....	7
<b>5. Maintenance</b> .....	<b>8</b>
Product Maintenance .....	8
<b>6. Technical Specifications</b> .....	<b>9</b>
<b>Returns</b> .....	<b>10</b>
<b>Contact Us</b> .....	<b>11</b>

# 1. BEFORE YOU BEGIN

## What Is Included

- Moonflower
- Mini Strobe™ LED
- IRC-6 Remote Control
- 2 External Power Supply Units
- Warranty Card
- Quick Reference Guide

## Unpacking Instructions

Carefully unpack the product immediately and check the container to make sure all the parts are in the package and are in good condition.

## Claims




If the box or the contents (the product and included accessories) appear damaged from shipping, or show signs of mishandling, notify the carrier immediately, not Chauvet. Failure to report damage to the carrier immediately may invalidate your claim. In addition, keep the box and contents for inspection.

For other issues, such as missing components or parts, damage not related to shipping, or concealed damage, file a claim with Chauvet within 7 days of delivery.

## Text Conventions

Convention	Meaning
1—512	A range of values
50/60	A set of values of which only one can be chosen
Settings	A menu option not to be modified
Menu > Settings	A sequence of menu options to be followed
<ENTER>	A key to be pressed on the product's control panel
ON	A value to be entered or selected

## Symbols

Symbol	Meaning
	Critical installation, configuration, or operation information. Not following these instructions may make the product not work, cause damage to the product, or cause harm to the operator.
	Important installation or configuration information. The product may not function correctly if this information is not used.
	Useful information.

## Disclaimer

The information and specifications contained in this document are subject to change without notice. Chauvet assumes no responsibility or liability for any errors or omissions that may appear in this manual. Chauvet reserves the right to update the existing document or to create a new document to correct any errors or omissions.

You can download the latest version of this document from [www.chauvetlighting.com](http://www.chauvetlighting.com).

© Copyright 2015 Chauvet. All rights reserved.

Electronically published by Chauvet in the United States of America.

Author	Date	Editor	Updated
R. Isenstadt	06/04/15	M. Trouard	06/05/15

## Product at a Glance

Use on Dimmer	X	Auto Programs	P
Outdoor Use	X	Auto-ranging Power Supply	P
Sound-Active	P	Replaceable Fuse	X
DMX	X	User-Serviceable	X
Master/Slave	X		

## Safety Notes

Please read the following Safety Notes carefully before working with the product. The Notes include important safety information about installation, usage, and maintenance.



- Always connect the product to a grounded circuit to avoid the risk of electrocution.
- Always disconnect the product from the power source before cleaning.
- Avoid direct eye exposure to the light source while the product is on.
- Make sure the power cord is not crimped or damaged.
- Never disconnect the product from power cord by pulling or tugging on the cord.
- If mounting the product overhead, always secure to a fastening device using a safety cable.
- Make sure there are no flammable materials close to the product when operating.
- Do not touch the product's housing when operating because it may be very hot.



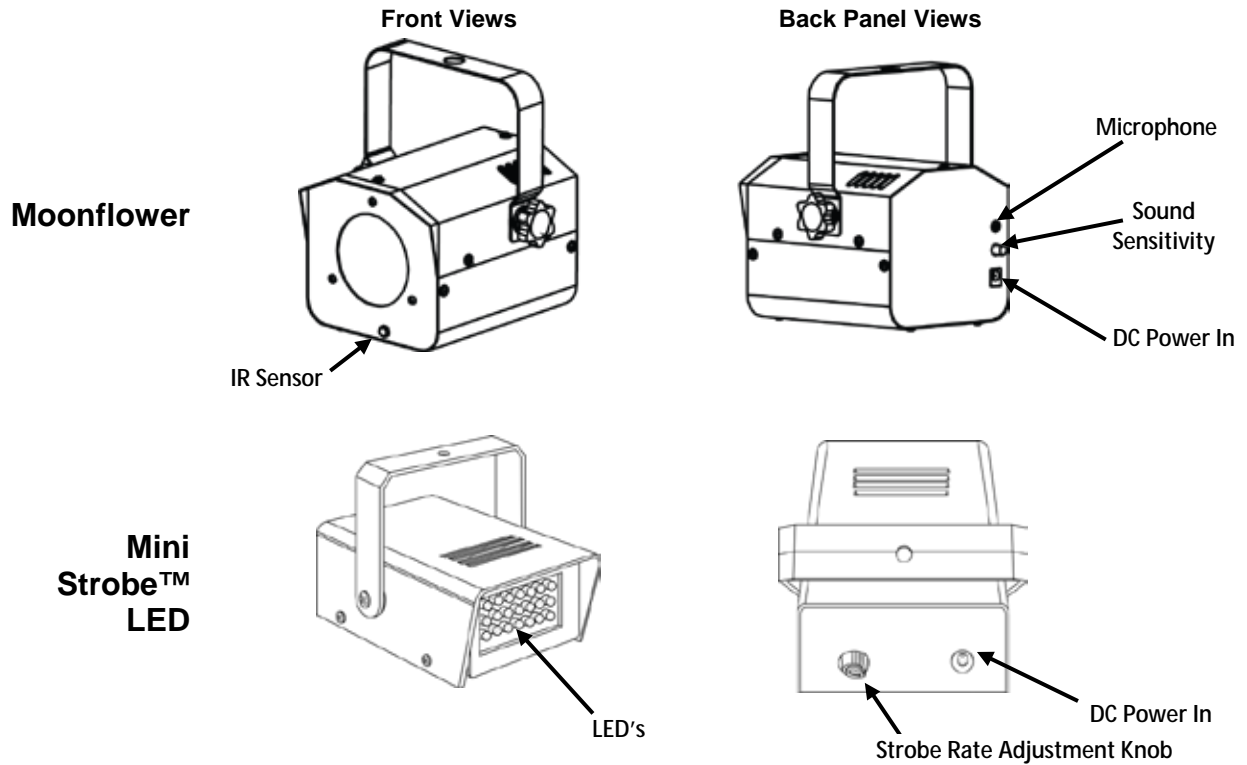
- The product is not intended for permanent installation.
- Always make sure that the voltage of the outlet to which you are connecting the product is within the range stated on the decal or rear panel of the product.
- The product is for indoor use only! (IP20) To prevent risk of fire or shock, do not expose the product to rain or moisture.
- Always install the product in a location with adequate ventilation, at least 20 in (50 cm) from adjacent surfaces.
- Be sure that no ventilation slots on the product's housing are blocked.
- Never connect the product to a dimmer or rheostat.
- Make sure to replace the fuse with another of the same type and rating.
- Never carry the product from the power cord or any moving part. Always use the hanging/mounting bracket.
- The maximum ambient temperature (Ta) is 104 °F (40 °C). Do not operate the product at higher temperatures.
- In the event of a serious operating problem, stop using the product immediately.
- Never try to repair the product. Repairs carried out by unskilled people can lead to damage or malfunction. Please contact the nearest authorized technical assistance center.
- To eliminate unnecessary wear and improve its lifespan, during periods of non-use completely disconnect the product from power via breaker or by unplugging it.



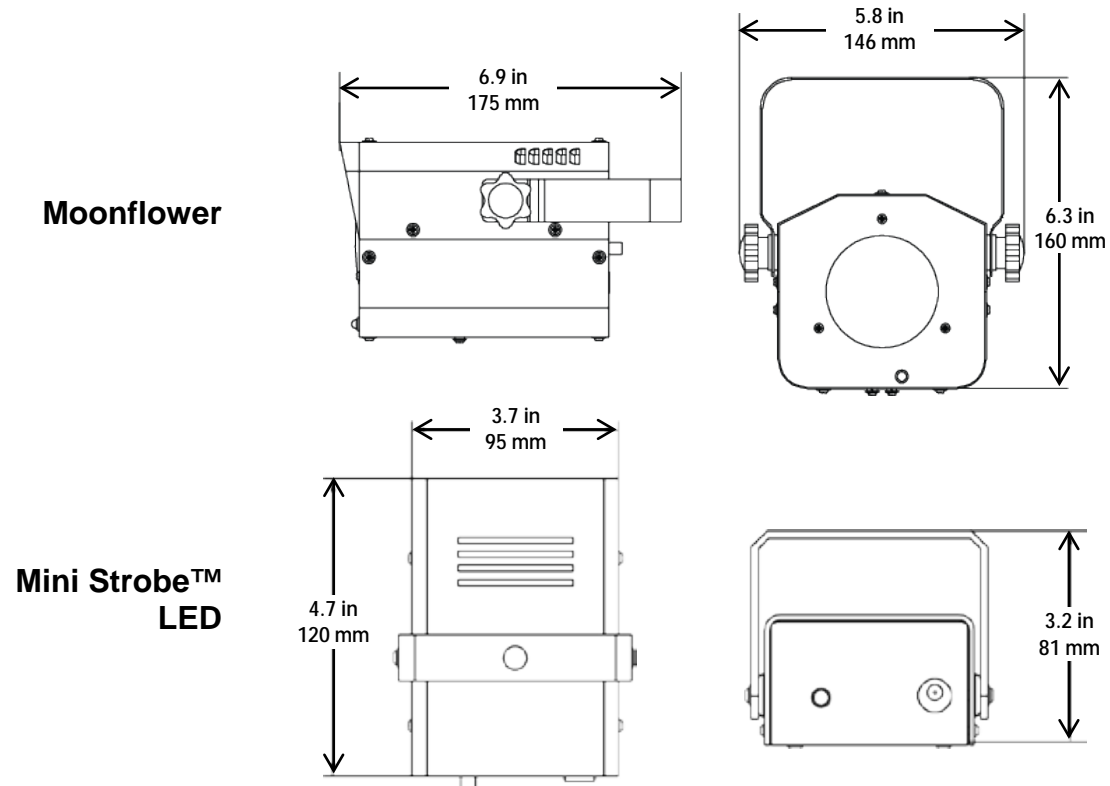
Keep this User Manual for future use. If you sell the product to someone else, be sure that they also receive this document.

## 2. INTRODUCTION

### Product Overviews



### Product Dimensions



# 3. SETUP

## AC Power

The JAM™ Pack Ruby products have an external auto-ranging power supply that can work with an input voltage range of 100 to 240 VAC, 50/60 Hz.

To determine the product's power requirements (circuit breaker, power outlet, and wiring), use the current value listed on the label affixed to the power supply's back panel, or refer to the product's specifications chart. The listed current rating indicates the product's average current draw under normal conditions.



**Always connect the product to a protected circuit (circuit breaker or fuse).**

**Never connect the product to a rheostat (variable resistor) or dimmer circuit, even if the rheostat or dimmer channel serves only as a 0 to 100% switch.**

## Mounting

Before mounting the product, read and follow the safety recommendations indicated in the [Safety Notes](#).

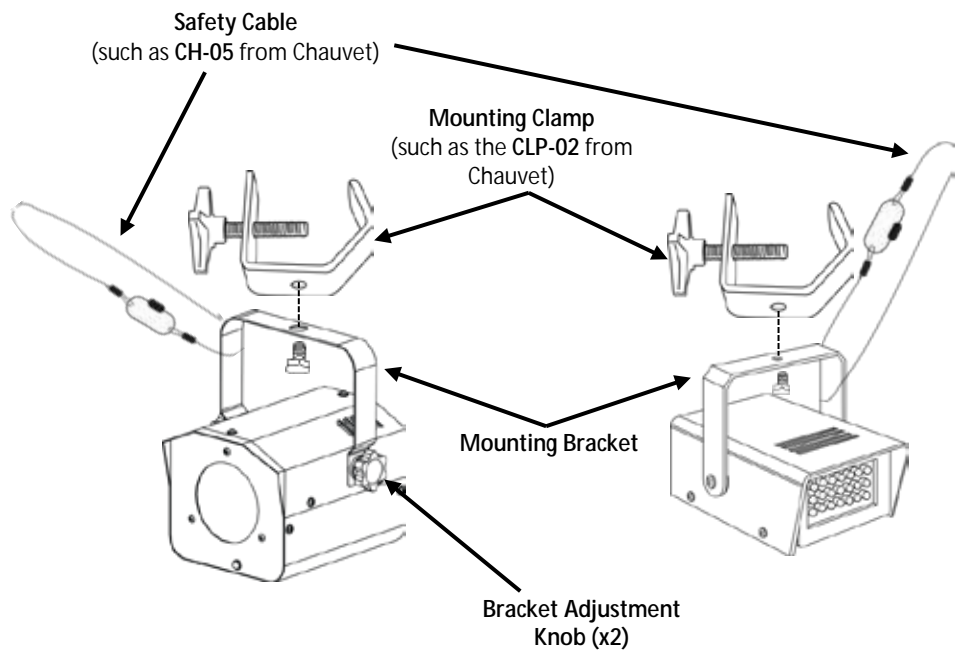
## Orientation

The Products in the JAM™ Pack Ruby may be mounted in any position; however, make sure adequate ventilation is provided around the product.

## Rigging

- Before deciding on a location for the product, always make sure there is easy access to the product for maintenance and programming purposes.
- Make sure that the structure onto which you are mounting the product can support the product's weight. See the [Technical Specifications](#) for weight information.
- When mounting the product overhead, always use a safety cable. Mount the product securely to a rigging point, whether an elevated platform or a truss.
- When rigging the product onto a truss, use a mounting clamp of appropriate weight capacity.
- The bracket adjustment knobs allow for directional adjustment when aiming the product to the desired angle. Only loosen or tighten the bracket knobs manually. Using tools could damage the knobs.

## Mounting Diagram



## 4. OPERATION

### Infrared Remote Control

The JAM™ Pack Ruby Moonflower is compatible with the IRC-6 infrared remote control from Chauvet. The Moonflower is always in IR mode.

#### IRC-6 Operation



Be sure the IRC-6 remote is pointing directly at the product and there is nothing in between the remote and the product.

The following buttons function with the JAM™ Pack Ruby Moonflower:

- **<BLACK OUT>** - Turns LEDs on/off
- **<SOUND>** - Selects Sound-Active mode
- **<AUTO>** - Selects Auto mode (<0> through <9>)
  - <0> - Red/Green/Blue
  - <1> - Red
  - <2> - Red/Green
  - <3> - Red/Green
  - <4> - Green
  - <5> - Green/Blue
  - <6> - Blue
  - <7> - Red/Blue
  - <8> - Red/Blue
  - <9> - Red/Green
- **<STROBE>** - Start/Stop strobing
- **<+>** - Increases Strobe speed
- **<->** - Decreases Strobe speed

**All other buttons on the remote have no function with this product**



**The IRC-6 will not respond to any inputs when Black Out is activated. If the remote does not respond when a button is pressed, try pressing <BLACK OUT>. You may have inadvertently activated Black Out.**

#### Mini Strobe™ LED Operation

The Mini Strobe™ LED does not respond to the IRC-6 or any other controller. To set the strobe speed, adjust the Strobe Rate Adjustment Knob as desired. To stop the product from strobing and turn it off, unplug it from power.

---

## 5. MAINTENANCE

### **Product Maintenance**

Dust build-up reduces light output performance and can cause overheating. This can lead to reduction of the light source's life and/or mechanical wear. To maintain optimum performance and minimize wear, clean your lighting products at least twice a month. However, be aware that usage and environmental conditions could be contributing factors to increase the cleaning frequency.

To clean the product, follow the instructions below:

1. Unplug the product from power.
2. Wait until the product is at room temperature.
3. Use a vacuum (or dry compressed air) and a soft brush to remove dust collected on the external surface/vents.
4. Clean all transparent surfaces with a mild soap solution, ammonia-free glass cleaner, or isopropyl alcohol.
5. Apply the solution directly to a soft, lint free cotton cloth or a lens cleaning tissue.
6. Softly drag any dirt or grime to the outside of the transparent surface.
7. Gently polish the transparent surfaces until they are free of haze and lint.



**Always dry the transparent surfaces carefully after cleaning them.**



## 6. TECHNICAL SPECIFICATIONS

### Dimensions and Weight

	Length	Width	Height	Weight
<b>Moonflower</b>	6.9 in (175 mm)	5.8 in (146 mm)	6.3 in (160 mm)	1.6 lb (0.7 kg)
<b>Mini Strobe™ LED</b>	4.7 in (120 mm)	3.7 in (95mm)	3.2 in (81 mm)	0.4 lb (0.2 kg)

**Note:** Dimensions in inches rounded to the nearest decimal digit.

### Power

Value	All Products	External Power Supply
<b>Input Voltage</b>	Fixed	Switching
<b>Range</b>	12 VDC, 1 A	100–240 VAC, 50/60 Hz
<b>Voltage Selection</b>	Fixed	Auto-Ranging

Parameter	Moonflower	Mini Strobe™ LED
Consumption (120 V)	6 W	2 W
Operating Current (120 V)	0.113 A	0.042 A
Consumption (230 V)	5 W	3 W
Operating Current (230 V)	0.062 A	0.037 A
Fuse	N/A	N/A

Power I/O	U.S./Worldwide
Power input connector	IEC
Power output connector	Edison
Power Cord plug	Edison (U.S.)

### Light Source

	Type	Power	Lifespan
<b>Moonflower</b>	LED	6 W	50,000 hours
<b>Mini Strobe™ LED</b>	LED	0.25 W	100,000 hours

	Color	Quantity	Current
<b>Moonflower</b>	Tri-color RGB	1	2 A
<b>Mini Strobe™ LED</b>	White	21	20 mA

### Photometrics

Parameter	Moonflower	Mini Strobe™ LED
Strobe Rate	0 to 16 Hz	0 to 16 Hz

### Thermal

Maximum External Temp.	Cooling System
104 °F (40 °C)	Convection

### Ordering

Product Name	Item Code	UPC Number
JAM™ Pack Ruby	10051082	781462214302



---

# RETURNS

In case you need to get support or return a product:

- If you are located in the U.S., contact Chauvet World Headquarters.
- If you are located in the UK or Ireland, contact Chauvet Europe Ltd.
- If you are located in Mexico, contact Chauvet Mexico.
- If you are located in Benelux, contact Chauvet Europe BVBA.
- If you are located in any other country, DO NOT contact Chauvet. Instead, contact your local distributor. See [www.chauvetlighting.com](http://www.chauvetlighting.com) for distributors outside the U.S., UK, Ireland, Mexico, or Benelux.



**If you are located outside the U.S., UK, Ireland, Mexico, or Benelux, contact your distributor of record and follow their instructions on how to return Chauvet products to them. Visit our website [www.chauvetlighting.com](http://www.chauvetlighting.com) for contact details.**

Call the corresponding Chauvet Technical Support office and request a Return Merchandise Authorization (RMA) number before shipping the product. Be prepared to provide the model number, serial number, and a brief description of the cause for the return.

Send the merchandise prepaid, in its original box, and with its original packing and accessories. Chauvet will not issue call tags.

Clearly label the package with the RMA number. Chauvet will refuse any product returned without an RMA number.



**Write the RMA number on a properly affixed label. DO NOT write the RMA number directly on the box.**

Before sending the product, clearly write the following information on a piece of paper and place it inside the box:

- Your name
- Your address
- Your phone number
- RMA number
- A brief description of the problem

Be sure to pack the product properly. Any shipping damage resulting from inadequate packaging will be your responsibility. FedEx packing or double-boxing are recommended.



**Chauvet reserves the right to use its own discretion to repair or replace returned product(s).**

---

# CONTACT US

## WORLD HEADQUARTERS - Chauvet

### General Information

Address: 5200 NW 108<sup>th</sup> Avenue  
Sunrise, FL 33351  
Voice: (954) 577-4455  
Fax: (954) 929-5560  
Toll free: (800) 762-1084

### Technical Support

Voice: (954) 577-4455 (Press 4)  
Fax: (954) 756-8015  
Email: [tech@chauvetlighting.com](mailto:tech@chauvetlighting.com)

World Wide Web [www.chauvetlighting.com](http://www.chauvetlighting.com)

## UNITED KINGDOM AND IRELAND - Chauvet Europe Ltd.

### General Information

Address: Unit 1C  
Brookhill Road Industrial Estate  
Pinxton, Nottingham, UK  
NG16 6NT  
Voice: +44 (0)1773 511115  
Fax: +44 (0)1773 511110

### Technical Support

Email: [uktech@chauvetlighting.com](mailto:uktech@chauvetlighting.com)

World Wide Web [www.chauvetlighting.co.uk](http://www.chauvetlighting.co.uk)

## MEXICO - Chauvet Mexico

### General Information

Address: Av. Santa Ana 30  
Parque Industrial Lerma  
Lerma, Mexico C.P. 52000  
Voice: +52 (728) 285-5000

### Technical Support

Email: [servicio@chauvet.com.mx](mailto:servicio@chauvet.com.mx)

World Wide Web [www.chauvet.com.mx](http://www.chauvet.com.mx)

## CHAUVET EUROPE - Chauvet Europe BVBA

### General Information

Address: Stokstraat 18  
9770 Kruishoutem  
Belgium  
Voice: +32 9 388 93 97

### Technical Support

Email: [Eutech@chauvetlighting.eu](mailto:Eutech@chauvetlighting.eu)

World Wide Web [www.chauvetlighting.eu](http://www.chauvetlighting.eu)

Outside the U.S., United Kingdom, Ireland, Mexico, or Benelux contact your dealer. Follow their instructions to request support or to return a product. Visit our website for contact details.