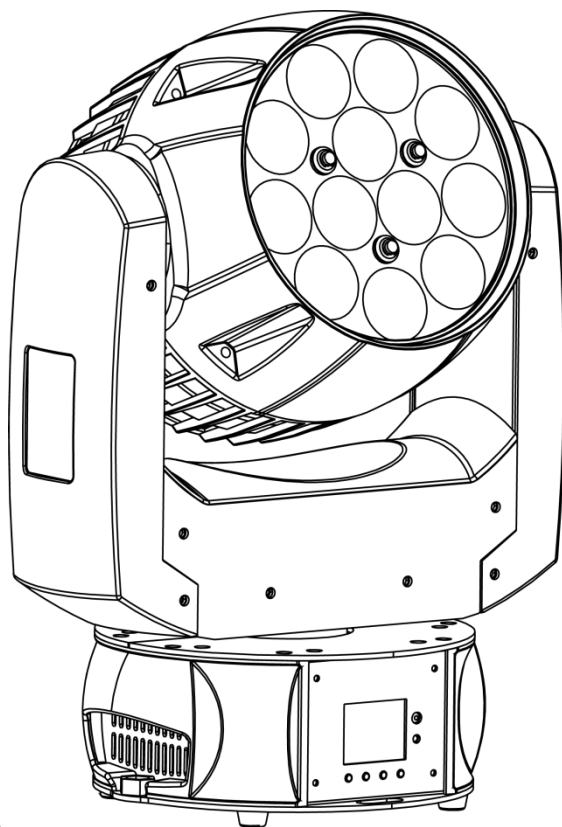


INTIMIDATOR

WASH ZOOM 450 IRC

Quick Reference Guide



CHAUVET

About This Guide

The Intimidator Wash Zoom 450 IRC Quick Reference Guide (QRG) has basic product information such as mounting, menu options, and DMX values. Download the User Manual from www.chauvetlighting.com for more details.

Disclaimer

The information and specifications contained in this QRG are subject to change without notice.

LIMITED WARRANTY

FOR WARRANTY REGISTRATION AND COMPLETE TERMS AND CONDITIONS PLEASE VISIT OUR WEBSITE.

For Customers in the United States and Mexico: www.chauvetlighting.com/warranty-registration.

For Customers in the United Kingdom, Republic of Ireland, Belgium, the Netherlands, Luxembourg, France, and Germany: www.chauvetlighting.eu/warranty-registration.

Chauvet warrants that this product shall be free from defects in material and workmanship under normal use, for the period specified in, and subject to the exclusions and limitations set forth in the full limited warranty on our website. This warranty extends only to the original purchaser of the product and is not transferable. To exercise rights under this warranty, you must provide proof of purchase in the form of an original sales receipt from an authorized dealer that shows the product name and date of purchase. THERE ARE NO OTHER EXPRESS OR IMPLIED WARRANTIES. This warranty gives you specific legal rights. You may also have other rights that vary from state to state and country to country. This warranty is valid only in the United States, United Kingdom, Republic of Ireland, Belgium, the Netherlands, Luxembourg, France, Germany and Mexico. For warranty terms in other countries, please consult your local distributor.

Safety Notes

These Safety Notes include important information about installation, use, and maintenance.



- Only connect this product to a grounded and protected circuit.
- Always disconnect from power before cleaning or replacing the fuse.
- Do not look at the light source when the product is on.
- Make sure the power cord is not crimped or damaged.
- Never disconnect this product from power by pulling on the cord.
- When mounting this product overhead, use a safety cable.
- Do not allow flammable materials close to the unit while operating.
- Do not touch this product when it is operating because it may be hot.



- The voltage of the outlet to which you are connecting this product must be within the range stated on the decal or rear panel of the product.
- This product is for indoor use only! (IP20) To prevent risk of fire or shock, do not expose this product to rain or moisture.
- Always mount this product in a location with adequate ventilation, at least 20 in (50 cm) from adjacent surfaces.
- Be sure that no ventilation slots on the unit's housing are blocked.
- Never connect this product to a dimmer or rheostat.
- Replace the fuse with another of the same type and rating.
- Only use the handles or attached mounting clamp of appropriate weight capacity to carry this product.
- The maximum ambient temperature is 104 °F (40 °C). Do not operate this product at higher temperatures.
- In the event of a serious operating problem, stop using immediately.
- Do not open this product. It contains no user-serviceable parts.
- To eliminate unnecessary wear and improve its lifespan, during periods of non-use completely disconnect the product from power via breaker or by unplugging it.

Contact

Outside the U.S., United Kingdom, Ireland, Benelux, France, Germany, or Mexico, contact your distributor to request support or return a product. Refer to [Contact Us](#) at the end of this QRG for contact information.

- What is Included**
- Intimidator Wash Zoom 450 IRC
 - Hanging Bracket with Mounting Hardware
 - Power Cord
 - Quick Reference Guide

To Begin Unpack your Intimidator Wash Zoom 450 IRC and make sure you have received all parts in good condition. If the box or contents appear damaged, notify the carrier immediately, not Chauvet.

AC Power This product has an auto-ranging power supply that can work with an input voltage range of 100 to 240 VAC, 50/60 Hz.



To eliminate unnecessary wear and improve its lifespan, during periods of non-use completely disconnect the product via breaker or by unplugging it.

Fuse Replacement

1. Disconnect the product from power.
2. Using a flat-head screwdriver, loosen the fuse holder and pull straight out.
3. Remove the blown fuse from the holder and replace with a fuse of the exact same type and rating.
4. Re-insert the fuse holder and reconnect power.

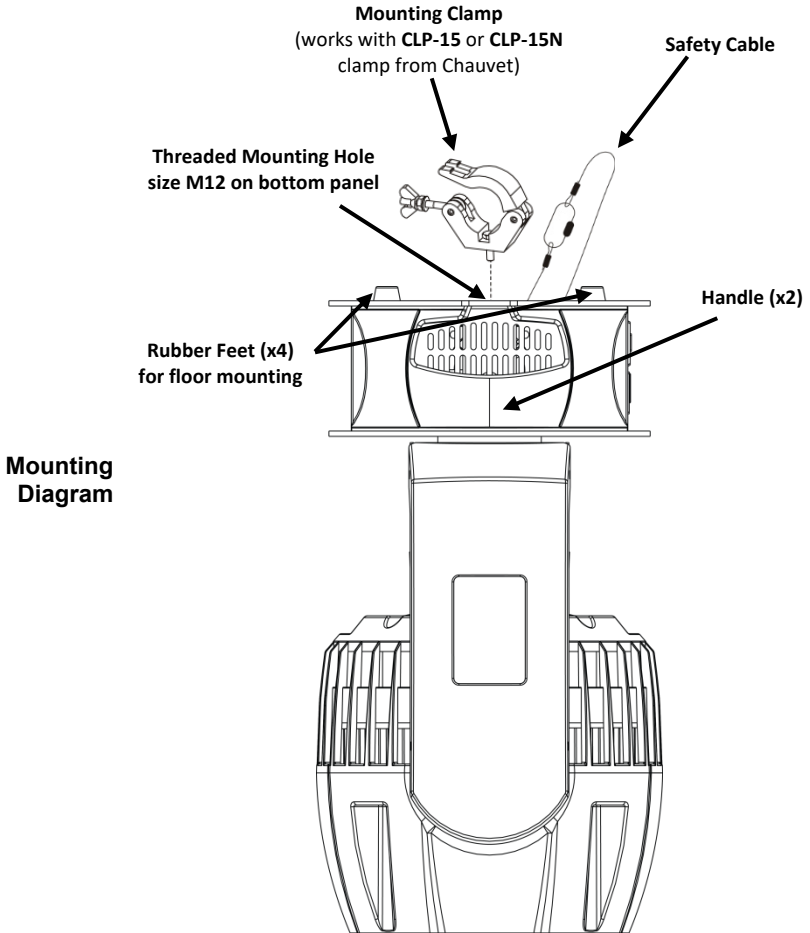
Infrared Remote Control 6 (IRC-6)

The Intimidator Wash Zoom 450 IRC is compatible with the Infrared Remote Control 6 (IRC-6) from Chauvet.

The following IRC-6 buttons are used with the Intimidator Wash 450 IRC:

- **<BLACKOUT>** - turns LED on/off
- **<AUTO>** - selects auto program mode (scrolling)
- **<SOUND>** - selects Sound-Active mode
- **<STROBE>** - strobing (0–20 Hz)
- **<SPEED>** - Pan/Tilt Auto program speed
- **<SENSITIVITY>** - selects sound sensitivity
- **<%>** - LED dimmer
- **<MANUAL>** - white (RGB) LED manual control
- **<FADE/SNAP>** - Press once for Fade color change/Press twice for Snap
- **<R>** - red LED manual control
- **<G>** - green LED manual control
- **** - blue LED manual control
- **<W>** - white LED manual control
- **<UV>** - Zoom manual adjustment
- **<+>** - Increase
- **<->** - Decrease
- **<0> to <9>** - Select Auto Program by Number

Mounting Before mounting this product, read the Safety Notes.



⚠ When using only one mounting clamp, be sure to use a clamp with a captive bolt to prevent accidental loosening.

Control Panel Description	Button	Function
	<MENU>	Exits from the current menu or function
	<UP>	Navigates upwards through the menu list and increases the numeric value when in a function
	<DOWN>	Navigates downwards through the menu list and decreases the numeric value when in a function
	<ENTER>	Enables the currently displayed menu or sets the currently selected value into the selected function

Menu Options

Main Function	Programming Levels		Description
Address	001–512		Sets the DMX starting address
Run Mode	DMX	14CH	Selects DMX mode
		29CH	
	Auto	Auto01—Auto16	Selects auto program
	Sound		Selects Sound-Active mode
	Slave		Selects Slave mode
	IR		Selects infrared control
Setup	Pan Reverse	OFF	Normal pan operation
		ON	Reverse pan operation
	Tilt Reverse	OFF	Normal tilt operation
		ON	Reverse tilt operation
	Pan Angle	540	Selects the 540° pan angle range
		360	Selects the 360° pan angle range
		180	Selects the 180° pan angle range
	Tilt Angle	270	Selects the 270° tilt angle range
		180	Selects the 180° tilt angle range
		90	Selects the 90° tilt angle range
	P/T Speed	Normal	Selects the panning/tilting speed
		Fast	
		Slow	
	Fans	Auto	Sets fan speed according to temperature
		Full	Fan speed set to full speed
	Display	OFF	Display background light turns off after inactivity
		ON	Display background light stays on
	Screen Rev	OFF	Normal display
		ON	Reverse display
	Dimmer Curve	Square	Selects the dimmer curve mode
		I Square	
SCurve			
Linear			
Dimmer Speed	Fast	Selects the dimmer speed	
	Smooth		
Color Balance	RED	Selects color balance (100 to 255)	
	GREEN		
	BLUE		
	WHITE		
Sensitivity	001—100	Sets sound sensitivity	
Reset		Resets the product	
Factory Set		Loads factory defaults	
Sys Info	Ver VX		Displays the software version
	Running Mode XXXXX		Displays the current running mode
	DMX Address XXX		Displays the current DMX address
	Temperature XXX		Displays the LED temperature in Celsius

DMX Linking

The Intimidator Wash Zoom 450 IRC can work with a DMX controller when linked by DMX serial connections. Instructions for connecting and configuring this product for DMX operation are in the User Manual. If you are not familiar with DMX, download the DMX Primer from www.chauvetlighting.com.

Starting Address

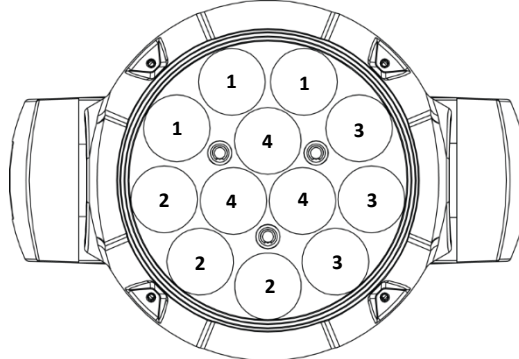
To ensure full access to all channels in each DMX mode, the highest recommended DMX address is **484**.

Master/Slave Connection

The Intimidator Wash Zoom 450 IRC uses the DMX data connection for its Master/Slave mode. Instructions for connecting and configuring this product for Master/Slave operation are in the User Manual.

DMX Values

Intimidator Wash Zoom 450 IRC Zones of Control



29CH

Channel	Function	Value	Percent/Setting	
1	Pan	000 ⇔ 255	0 to 540°	
2	Fine Pan	000 ⇔ 255	Fine control of panning	
3	Tilt	000 ⇔ 255	0 to 270°	
4	Fine Tilt	000 ⇔ 255	Fine control of tilting	
5	Speed	000 ⇔ 255	Pant/Tilt speed (fast to slow)	
6	Red	000 ⇔ 255	0 to 100%	Zone 1
7	Green	000 ⇔ 255	0 to 100%	
8	Blue	000 ⇔ 255	0 to 100%	
9	White	000 ⇔ 255	0 to 100%	
10	Red	000 ⇔ 255	0 to 100%	Zone 2
11	Green	000 ⇔ 255	0 to 100%	
12	Blue	000 ⇔ 255	0 to 100%	
13	White	000 ⇔ 255	0 to 100%	Zone 3
14	Red	000 ⇔ 255	0 to 100%	
15	Green	000 ⇔ 255	0 to 100%	
16	Blue	000 ⇔ 255	0 to 100%	
17	White	000 ⇔ 255	0 to 100%	Zone 4
18	Red	000 ⇔ 255	0 to 100%	
19	Green	000 ⇔ 255	0 to 100%	
20	Blue	000 ⇔ 255	0 to 100%	
21	White	000 ⇔ 255	0 to 100%	

29CH
(cont.)

Channel	Function	Value	Percent/Setting
22	Colors	000 ⇔ 004	No function
		005 ⇔ 009	Color 1
		010 ⇔ 014	Color 2
		015 ⇔ 019	Color 3
		020 ⇔ 024	Color 4
		025 ⇔ 029	Color 5
		030 ⇔ 034	Color 6
		035 ⇔ 039	Color 7
		040 ⇔ 044	Color 8
		045 ⇔ 049	Color 9
		050 ⇔ 054	Color 10
		055 ⇔ 059	Color 11
		060 ⇔ 064	Color 12
		065 ⇔ 069	Color 13
		070 ⇔ 074	Color 14
		075 ⇔ 079	Color 15
		080 ⇔ 084	Color 16
		085 ⇔ 089	Color 17
		090 ⇔ 094	Color 18
		095 ⇔ 099	Color 19
		100 ⇔ 104	Color 20
		105 ⇔ 109	Color 21
		110 ⇔ 114	Color 22
		115 ⇔ 119	Color 23
		120 ⇔ 124	Color 24
		125 ⇔ 129	Color 25
		130 ⇔ 134	Color 26
		135 ⇔ 139	Color 27
		140 ⇔ 144	Color 28
		145 ⇔ 149	Color 29
		150 ⇔ 154	Color 30
		155 ⇔ 159	Color 31
		160 ⇔ 164	Color 32
		165 ⇔ 169	Color 33
170 ⇔ 174	Color 34		
175 ⇔ 179	No function		
180 ⇔ 201	Clockwise color change (fast to slow)		
202 ⇔ 207	Stop (color stays in the current color)		
208 ⇔ 229	Counter-clockwise color change (slow to fast)		
230 ⇔ 234	No function		
235 ⇔ 249	Color jump (fast to slow)		
250 ⇔ 255	Sound-Active colors		

29CH (cont.)	Channel	Function	Value	Percent/Setting
	23	Built-in Control	000 ⇔ 015	No function
			016 ⇔ 031	Zone macro 1
			032 ⇔ 047	Zone macro 2
			048 ⇔ 063	Zone macro 3
			064 ⇔ 079	Zone macro 4
			080 ⇔ 095	Zone macro 5
			096 ⇔ 111	Zone macro 6
			112 ⇔ 127	Built-in 7 (zone macros 1—6)
			128 ⇔ 143	Built-in Auto 1
			144 ⇔ 159	Built-in Auto 2
			160 ⇔ 175	Built-in Auto 3
			176 ⇔ 191	Built-in Auto 4
			192 ⇔ 207	Built-in Auto 5
			208 ⇔ 223	Built-in Auto 6
			224 ⇔ 239	Built-in Auto 7
	240 ⇔ 255	Built-in 8 (built-in auto 1—7)		
	24	Built-in Speed	000 ⇔ 255	Zones and built-in auto speed (slow to fast)
	25	Dimmer	000 ⇔ 255	0 to 100%
	26	Shutter	000 ⇔ 019	Closed
			020 ⇔ 024	Open
			025 ⇔ 064	Strobe effect (decreasing speed)
			065 ⇔ 069	Open
			070 ⇔ 084	Fast on, slow off (decreasing speed)
			085 ⇔ 089	Open
			090 ⇔ 104	Slow on, fast off (decreasing speed)
			105 ⇔ 109	Open
			110 ⇔ 124	Random shutter (decreasing speed)
			125 ⇔ 129	Open
			130 ⇔ 144	Random fast on, slow off (decreasing speed)
			145 ⇔ 149	Open
			150 ⇔ 164	Random slow on, fast off (decreasing speed)
			165 ⇔ 169	Open
			170 ⇔ 184	Pulse effect 1 (decreasing speed)
			185 ⇔ 189	Open
			190 ⇔ 204	Pulse effect 2 (decreasing speed)
			205 ⇔ 209	Open
			210 ⇔ 224	Gradually on and off (decreasing speed)
			225 ⇔ 229	Open
	230 ⇔ 244	Pulse effect 3 (decreasing speed)		
	245 ⇔ 255	Open		
	27	Zoom	000 ⇔ 255	Zoom in and out

29CH (cont.)	Channel	Function	Value	Percent/Setting
	28	Control Functions	000 ⇔ 009	No function
			010 ⇔ 014	Blackout while panning/tilting
			015 ⇔ 049	No function
			050 ⇔ 054	Reset pan
			055 ⇔ 059	Reset tilt
			060 ⇔ 064	Reset zoom
			065 ⇔ 069	No function
			070 ⇔ 074	Reset all
			075 ⇔ 079	No function
			080 ⇔ 084	Reverse pan/tilt
			085 ⇔ 089	Reverse pan
			090 ⇔ 094	Reverse tilt
			095 ⇔ 099	Cancel reverse pan
			100 ⇔ 104	Cancel reverse tilt
			105 ⇔ 109	Cancel reverse pan/tilt
			110 ⇔ 114	Pan/Tilt normal speed
			115 ⇔ 119	Pan/Tilt fast speed
			120 ⇔ 124	Pan/Tilt slow speed
			125 ⇔ 129	Fan (full speed)
			130 ⇔ 134	Fan (auto)
			135 ⇔ 139	Dimmer, fast
140 ⇔ 144	Dimmer, smooth			
145 ⇔ 255	No function			
	29	Movement Macros	000 ⇔ 007	No function
			008 ⇔ 023	Automatic movement macro 1
			024 ⇔ 039	Automatic movement macro 2
			040 ⇔ 055	Automatic movement macro 3
			056 ⇔ 071	Automatic movement macro 4
			072 ⇔ 087	Automatic movement macro 5
			088 ⇔ 103	Automatic movement macro 6
			104 ⇔ 119	Automatic movement macro 7
			120 ⇔ 135	Automatic movement macro 8
			136 ⇔ 151	Sound-Active movement macro 1
			152 ⇔ 167	Sound-Active movement macro 2
			168 ⇔ 183	Sound-Active movement macro 3
			184 ⇔ 199	Sound-Active movement macro 4
			200 ⇔ 215	Sound-Active movement macro 5
			216 ⇔ 231	Sound-Active movement macro 6
			232 ⇔ 247	Sound-Active movement macro 7
			248 ⇔ 255	Sound-Active movement macro 8

14CH	Channel	Function	Value	Percent/Setting
	1	Pan	000 ⇔ 255	0 to 540°
	2	Tilt	000 ⇔ 255	0 to 270°
	3	Speed	000 ⇔ 255	Pan/Tilt (fast to slow)
	4	Red	000 ⇔ 255	0 to 100%
	5	Green	000 ⇔ 255	0 to 100%
	6	Blue	000 ⇔ 255	0 to 100%
	7	White	000 ⇔ 255	0 to 100%
	8	Built-in Control	000 ⇔ 015	No function
			016 ⇔ 031	Zone macro 1
			032 ⇔ 047	Zone macro 2
			048 ⇔ 063	Zone macro 3
			064 ⇔ 079	Zone macro 4
			080 ⇔ 095	Zone macro 5
			096 ⇔ 111	Zone macro 6
			112 ⇔ 127	Built-in 7 (zone macros 1—6)
			128 ⇔ 143	Built-in Auto 1
			144 ⇔ 159	Built-in Auto 2
			160 ⇔ 175	Built-in Auto 3
			176 ⇔ 191	Built-in Auto 4
			192 ⇔ 207	Built-in Auto 5
			208 ⇔ 223	Built-in Auto 6
	224 ⇔ 239	Built-in Auto 7		
	240 ⇔ 255	Built-in 8 (built-in auto 1—7)		
	9	Built-in Speed	000 ⇔ 255	Zones and built-in auto speed (slow to fast)
	10	Dimmer	000 ⇔ 255	0 to 100%
	11	Shutter	000 ⇔ 019	Closed
			020 ⇔ 024	Open
			025 ⇔ 064	Strobe effect (decreasing speed)
			065 ⇔ 069	Open
			070 ⇔ 084	Fast on, slow off (decreasing speed)
			085 ⇔ 089	Open
			090 ⇔ 104	Slow on, fast off (decreasing speed)
			105 ⇔ 109	Open
			110 ⇔ 124	Random shutter (decreasing speed)
			125 ⇔ 129	Open
			130 ⇔ 144	Random fast on, slow off (decreasing speed)
			145 ⇔ 149	Open
			150 ⇔ 164	Random slow on, fast off (decreasing speed)
			165 ⇔ 169	Open
			170 ⇔ 184	Pulse effect 1 (decreasing speed)
			185 ⇔ 189	Open
			190 ⇔ 204	Pulse effect 2 (decreasing speed)
			205 ⇔ 209	Open
	210 ⇔ 224	Gradually on and off (decreasing speed)		
	225 ⇔ 229	Open		
	230 ⇔ 244	Pulse effect 3 (decreasing speed)		
	245 ⇔ 255	Open		
	12	Zoom	000 ⇔ 255	Zoom in and out

14CH
(cont.)

Channel	Function	Value	Percent/Setting
13	Control Functions	000 ⇔ 009	No function
		010 ⇔ 014	Pan/Tilt blackout
		015 ⇔ 049	No function
		050 ⇔ 054	Reset pan
		055 ⇔ 059	Reset tilt
		060 ⇔ 064	Reset zoom
		065 ⇔ 069	No function
		070 ⇔ 074	Reset all
		075 ⇔ 079	No function
		080 ⇔ 084	Reverse Pan/Tilt
		085 ⇔ 089	Reverse pan
		090 ⇔ 094	Reverse tilt
		095 ⇔ 099	Cancel reverse pan
		100 ⇔ 104	Cancel reverse tilt
		105 ⇔ 109	Cancel reverse pan/tilt
		110 ⇔ 114	Pan/Tilt normal speed
		115 ⇔ 119	Pan/Tilt fast speed
		120 ⇔ 124	Pan/Tilt slow speed
		125 ⇔ 129	Fan (full speed)
		130 ⇔ 134	Fan (auto)
		135 ⇔ 139	Dimmer, fast
140 ⇔ 144	Dimmer, smooth		
145 ⇔ 255	No function		
14	Movement Macros	000 ⇔ 007	No function
		008 ⇔ 023	Automatic movement macro 1
		024 ⇔ 039	Automatic movement macro 2
		040 ⇔ 055	Automatic movement macro 3
		056 ⇔ 071	Automatic movement macro 4
		072 ⇔ 087	Automatic movement macro 5
		088 ⇔ 103	Automatic movement macro 6
		104 ⇔ 119	Automatic movement macro 7
		120 ⇔ 135	Automatic movement macro 8
		136 ⇔ 151	Sound-Active movement macro 1
		152 ⇔ 167	Sound-Active movement macro 2
		168 ⇔ 183	Sound-Active movement macro 3
		184 ⇔ 199	Sound-Active movement macro 4
		200 ⇔ 215	Sound-Active movement macro 5
		216 ⇔ 231	Sound-Active movement macro 6
		232 ⇔ 247	Sound-Active movement macro 7
		248 ⇔ 255	Sound-Active movement macro 8

Acerca de esta guía

La guía de referencia rápida (GRR) del Intimidator Wash Zoom 450 IRC contiene información básica sobre el producto, como montaje, opciones de menú y valores DMX. Descargue el manual de usuario de www.chauvetlighting.com para una información más detallada.

Exención de responsabilidad

La información y especificaciones contenidas en esta GRR están sujetas a cambio sin previo aviso.

GARANTÍA LIMITADA PARA VER EL REGISTRO DE GARANTÍA Y LOS TÉRMINOS Y CONDICIONES COMPLETOS, VISITE NUESTRO SITIO WEB.

Para clientes en los Estados Unidos y México: www.chauvetlighting.com/warranty-registration.
Para clientes en Reino Unido, República de Irlanda, Bélgica, Países Bajos, Luxemburgo, Francia y Alemania: www.chauvetlighting.eu/warranty-registration.

Chauvet garantiza que este producto estará libre de defectos de material y mano de obra en condiciones de uso normales, durante el periodo especificado, sujeto siempre a las exclusiones y limitaciones establecidas en la garantía limitada completa de nuestro sitio web. Esta garantía se concede únicamente al comprador original del producto y no es transferible. Para ejercer los derechos que otorga esta garantía, usted debe proporcionar una prueba de compra en forma de un recibo de compra original, expedido por un distribuidor autorizado, donde figure el nombre del producto y la fecha de compra. **NO EXISTEN OTRAS GARANTÍAS EXPRESAS NI IMPLÍCITAS.** Esta garantía le otorga derechos legales específicos. Es posible que a usted le asistan otros derechos, que variarán dependiendo del estado o del país. Esta garantía solamente es válida en los Estados Unidos, Reino Unido, República de Irlanda, Bélgica, Países Bajos, Luxemburgo, Francia, Alemania y México. Para conocer los términos de garantía en otros países, consulte a su distribuidor local.

Notas de seguridad

Estas notas de seguridad incluyen información importante sobre el montaje, uso y mantenimiento.



- Conecte este producto SOLO a un circuito con toma de tierra y protegido.
- Desconecte siempre de la alimentación antes de la limpieza o sustitución del fusible.
- NO mire a la fuente de luz cuando el producto esté encendido.
- Asegúrese de que el cable de alimentación no está retorcido ni estropeado.
- Nunca desconecte este producto de la alimentación tirando del cable.
- Cuando monte este producto en alto, use un cable de seguridad.
- NO permita la presencia de materiales inflamables cerca de la unidad cuando esté en funcionamiento.
- NO toque este producto cuando esté en funcionamiento, pues podría estar caliente.



- La tensión del enchufe al que conecte este producto ha de estar en el rango establecido en el grabado o en el panel posterior del producto.
- ¡Este producto es para uso en interiores solamente! (IP20) Para evitar riesgos de incendio o descarga, no exponga este producto a la lluvia o la humedad.
- Monte siempre este producto en una ubicación con ventilación adecuada, al menos a 20 in (50 cm) de superficies adyacentes.
- Asegúrese de que ninguna ranura de ventilación en la carcasa de la unidad queda bloqueada.
- Nunca conecte este producto a un atenuador o reostato.
- Sustituya el fusible con otro del mismo tipo y categoría.
- Use SOLAMENTE los soportes de colgar/montar para mover este producto
- La temperatura ambiente máxima es de 104 °F (40 °C). No haga funcionar este producto a temperaturas más altas.
- En caso de un problema grave de funcionamiento, deje de usarlo inmediatamente.
- NO abra este producto. No contiene piezas reparables por el usuario.
- Para evitar un desgaste innecesario y alargar su vida útil, desconecte completamente el producto de la alimentación mediante el interruptor o desenchufándolo durante periodos en que no se use.

Contacto Fuera de EE. UU., Reino Unido, Irlanda, Benelux, Francia, Alemania o México póngase en contacto con su distribuidor para solicitar asistencia o devolver un producto. Consulte [Contact Us](#) al final de este GRR para información de contacto.

Qué va incluido

- Intimidator Wash Zoom 450 IRC
- Cable de alimentación
- Soporte para colgar con material de montaje
- Guía de referencia rápida

Para empezar Desembale su Intimidator Wash Zoom 450 IRC y asegúrese de que ha recibido todas las partes en buen estado. Si la caja o los componentes parecen dañados, notifíquese inmediatamente al transportista, no a Chauvet.

Corriente alterna Este producto tiene una fuente de alimentación con detección automática que puede funcionar con un rango de tensión de entrada de 100 a 240 VCA, 50/60 Hz.

Fuse Replacement

1. Desconecte el producto de la alimentación.
2. Con ayuda de un destornillador de cabeza plana, desatornille el portafusibles y extráigalo directamente.
3. Quite el fusible fundido del portafusibles y sustituya el fusible con otro del mismo tipo y categoría.
4. Vuelva a insertar el portafusibles y conecte de nuevo la alimentación.

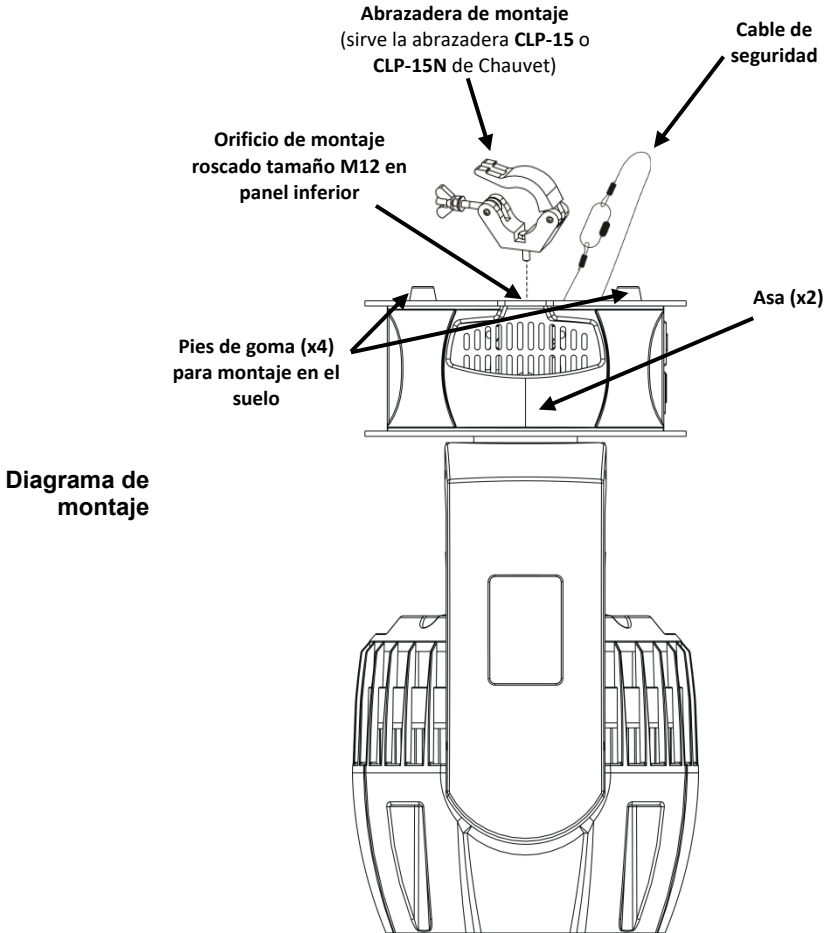
Control Remoto por Infrarrojos 6 El Intimidator Wash Zoom 450 IRC es compatible con el mando a distancia por infrarrojos 6 (IRC-6) de Chauvet.


Los siguientes botones del IRC-6 se usan con el Intimidator™ Wash 450 IRC:

- <BLACKOUT>: apaga/enciende el LED
- <AUTO>: selecciona el modo de programa automático (desplazamiento)
- <SOUND>: selecciona el modo Activo por sonido
- <STROBE>: estroboscopio (0–20 Hz)
- <SPEED>: velocidad de Desplazamiento lateral/Inclinación del programa Automático
- <SENSITIVITY>: selecciona la sensibilidad al sonido
- <%>: atenuador maestro
- <MANUAL>: control manual del LED blanco (RGB)
- <FADE/SNAP>: pulse una vez para cambio de color de Fade/pulse dos veces para cambio rápido
- <R>: control manual del LED rojo
- <G>: control manual del LED verde
- : control manual del LED azul
- <W>: control manual del LED blanco
- <UV>: ajuste manual del zoom
- <+>: aumentar
- <->: disminuir
- <0> a <9>: seleccionar programa automático por número

Montaje

Antes de montar este producto, lea las Notas de seguridad.



 Cuando use una abrazadera de montaje, asegúrese de usar una abrazadera con tornillo prisionero para evitar que se afloje accidentalmente.

Descripción del panel de control	Botón	Función
	<MENU>	Sale del menú o función actual
	<UP>	Navega hacia arriba por la lista de menú y aumenta el valor numérico cuando está en una función
	<DOWN>	Navega hacia abajo por la lista de menú y disminuye el valor numérico cuando está en una función
	<ENTER>	Habilita el menú actualmente en pantalla o configura el valor seleccionado actualmente dentro de la función seleccionada

Opciones de menú

Función principal	Niveles de programación		Descripción
Address	001–512		Configura la dirección inicial DMX
Run Mode	DMX	14CH	Selecciona el modo de ejecución DMX
		29CH	
	Auto	Auto01—Auto16	Selecciona el programa automático
	Sound		Selecciona el modo Activo por sonido
	Slave		Selecciona el modo Maestro/Esclavo
	IR		Selecciona el control por infrarrojos
Setup	Pan	OFF	Funcionamiento de desplazamiento lateral normal
	Reverse	ON	Invierte el funcionamiento del desplazamiento lateral
	Tilt	OFF	Funcionamiento inclinación normal
	Reverse	ON	Invierte el funcionamiento de la inclinación
	Pan Angle	540	Selecciona el rango de desplazamiento lateral de 540°
		360	Selecciona el rango de desplazamiento lateral de 360°
		180	Selecciona el rango de desplazamiento lateral de 180°
	Tilt Angle	270	Selecciona el rango de inclinación de 270°
		180	Selecciona el rango de inclinación de 180°
		90	Selecciona el rango de inclinación de 90°
	P/T Speed	Normal	Selecciona la velocidad de desplazamiento lateral/inclinación
		Fast	
		Slow	
	Fans	Auto	Configura la velocidad de ventilador según la temperatura
		Full	Velocidad del ventilador al máximo
	Display	OFF	La luz de la pantalla se apaga después de la inactividad
		ON	La luz de la pantalla se queda encendida
	Screen Rev	OFF	Pantalla normal
		ON	Invierte la pantalla
	Dimmer Curve	Square	Selecciona el modo de curva del atenuador
		I Square	
SCurve			
Linear			
Dimmer Speed	Fast	Selecciona el valor del atenuador	
	Smooth		
Color Balance	RED	Selecciona el equilibrio de color (100 a 255)	
	GREEN		
	BLUE		
	WHITE		
Sensitivity	001—100	Configura la sensibilidad al sonido	
Reset		Reinicia el producto.	
Factory Set		Reinicia el producto.	
Sys Info	Ver VX		Muestra en pantalla la versión de software
	Running Mode XXXXX		Muestra el modo de ejecución actual
	DMX Address XXX		Muestra la dirección DMX actual
	Temperature XXX		Muestra la temperatura del LED en Celsius

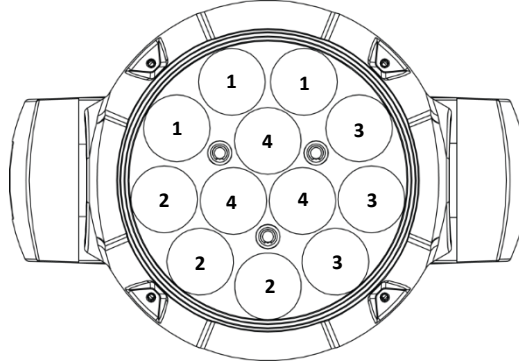
Enlace DMX El Intimidator Wash Zoom 450 IRC puede funcionar con un controlador DMX cuando se enlaza por conexiones serie DMX. Las instrucciones para conectar y configurar este producto para funcionamiento DMX están en el manual de usuario. Si no está familiarizado con DMX, descargue el Manual DMX de www.chauvetlighting.com.

Dirección de inicio Para asegurarse acceso total a todos los canales en cada modo DMX, la dirección DMX más recomendable es **484**.

Conexión Maestro/Esclavo El Intimidator Wash Zoom 450 IRC usa la conexión de datos DMX para su modo Maestro/Esclavo. Las instrucciones para conectar y configurar este producto para funcionamiento Maestro/Esclavo están en el manual de usuario.

Valores DMX

Zonas de control del Intimidator Wash Zoom 450 IRC



29CH	Canal	Función	Valor	Porcentaje/Configuración
	1	Desplazamiento lateral	000 ⇔ 255	0 a 540°
	2	Desplazamiento lateral fino	000 ⇔ 255	Control fino del desplazamiento lateral
	3	Inclinación	000 ⇔ 255	0 a 270°
	4	Inclinación fina	000 ⇔ 255	Control fino de la inclinación
	5	Velocidad	000 ⇔ 255	Velocidad de desplazamiento lateral/inclinación (rápido a lento)
	6	Rojo	000 ⇔ 255	0 a 100%
	7	Verde	000 ⇔ 255	0 a 100%
	8	Azul	000 ⇔ 255	0 a 100%
	9	Bianco	000 ⇔ 255	0 a 100%
	10	Rojo	000 ⇔ 255	0 a 100%
	11	Verde	000 ⇔ 255	0 a 100%
	12	Azul	000 ⇔ 255	0 a 100%
	13	Bianco	000 ⇔ 255	0 a 100%
	14	Rojo	000 ⇔ 255	0 a 100%
	15	Verde	000 ⇔ 255	0 a 100%
	16	Azul	000 ⇔ 255	0 a 100%
	17	Bianco	000 ⇔ 255	0 a 100%
	18	Rojo	000 ⇔ 255	0 a 100%
	19	Verde	000 ⇔ 255	0 a 100%
	20	Azul	000 ⇔ 255	0 a 100%
	21	Bianco	000 ⇔ 255	0 a 100%

29CH
(cont.)

Canal	Función	Valor	Porcentaje/Configuración
22	Colores	000 ⇔ 004	Sin función
		005 ⇔ 009	Color 1
		010 ⇔ 014	Color 2
		015 ⇔ 019	Color 3
		020 ⇔ 024	Color 4
		025 ⇔ 029	Color 5
		030 ⇔ 034	Color 6
		035 ⇔ 039	Color 7
		040 ⇔ 044	Color 8
		045 ⇔ 049	Color 9
		050 ⇔ 054	Color 10
		055 ⇔ 059	Color 11
		060 ⇔ 064	Color 12
		065 ⇔ 069	Color 13
		070 ⇔ 074	Color 14
		075 ⇔ 079	Color 15
		080 ⇔ 084	Color 16
		085 ⇔ 089	Color 17
		090 ⇔ 094	Color 18
		095 ⇔ 099	Color 19
		100 ⇔ 104	Color 20
		105 ⇔ 109	Color 21
		110 ⇔ 114	Color 22
		115 ⇔ 119	Color 23
		120 ⇔ 124	Color 24
		125 ⇔ 129	Color 25
		130 ⇔ 134	Color 26
		135 ⇔ 139	Color 27
		140 ⇔ 144	Color 28
		145 ⇔ 149	Color 29
		150 ⇔ 154	Color 30
		155 ⇔ 159	Color 31
		160 ⇔ 164	Color 32
		165 ⇔ 169	Color 33
170 ⇔ 174	Color 34		
175 ⇔ 179	Sin función		
180 ⇔ 201	Desplazamiento de color en sentido horario (rápido a lento)		
202 ⇔ 207	Parada (el color se queda en el color actual)		
208 ⇔ 229	Desplazamiento de color en sentido antihorario (lento a rápido)		
230 ⇔ 234	Sin función		
235 ⇔ 249	Salto de color (rápido a lento)		
250 ⇔ 255	Colores activos por sonido		

29CH
(cont.)

Canal	Función	Valor	Porcentaje/Configuración
23	Control integrado	000 ⇔ 015	Sin función
		016 ⇔ 031	Macro zona 1
		032 ⇔ 047	Macro zona 2
		048 ⇔ 063	Macro zona 3
		064 ⇔ 079	Macro zona 4
		080 ⇔ 095	Macro zona 5
		096 ⇔ 111	Macro zona 6
		112 ⇔ 127	Integrado 7 (macros de zona 1—6)
		128 ⇔ 143	Auto integrado 1
		144 ⇔ 159	Auto integrado 2
		160 ⇔ 175	Auto integrado 3
		176 ⇔ 191	Auto integrado 4
		192 ⇔ 207	Auto integrado 5
		208 ⇔ 223	Auto integrado 6
		224 ⇔ 239	Auto integrado 7
		240 ⇔ 255	Auto integrado 8 (auto integrado 1—7)
24	Velocidad integrada	000 ⇔ 255	Velocidad automática de zonas e integrada (lento a rápido)
25	Atenuador	000 ⇔ 255	0 a 100%
26	Obturador	000 ⇔ 019	Cerrado
		020 ⇔ 024	Abierto
		025 ⇔ 064	Efecto estroboscopio (velocidad decreciente)
		065 ⇔ 069	Abierto
		070 ⇔ 084	Encender rápido, apagar lento (velocidad decreciente)
		085 ⇔ 089	Abierto
		090 ⇔ 104	Encender lento, apagar rápido (velocidad decreciente)
		105 ⇔ 109	Abierto
		110 ⇔ 124	Obturador aleatorio (velocidad decreciente)
		125 ⇔ 129	Abierto
		130 ⇔ 144	Encender rápido, apagar lento aleatorio (velocidad decreciente)
		145 ⇔ 149	Abierto
		150 ⇔ 164	Aleatorio: encender lento, apagar rápido (velocidad decreciente)
		165 ⇔ 169	Abierto
		170 ⇔ 184	Efecto pulso 1 (velocidad decreciente)
		185 ⇔ 189	Abierto
		190 ⇔ 204	Efecto pulso 2 (velocidad decreciente)
		205 ⇔ 209	Abierto
		210 ⇔ 224	Gradualmente encender y apagar (velocidad decreciente)
225 ⇔ 229	Abierto		
230 ⇔ 244	Efecto pulso 3 (velocidad decreciente)		
245 ⇔ 255	Abierto		
27	Zoom	000 ⇔ 255	Aumentar y disminuir zoom

29CH
(cont.)

Canal	Función	Valor	Porcentaje/Configuración
28	Funciones de control	000 ⇔ 009	Sin función
		010 ⇔ 014	Blackout durante el desplazamiento/inclinación
		015 ⇔ 049	Sin función
		050 ⇔ 054	Reiniciar desplazamiento lateral
		055 ⇔ 059	Reiniciar inclinación
		060 ⇔ 064	Reiniciar zoom
		065 ⇔ 069	Sin función
		070 ⇔ 074	Reiniciar todo
		075 ⇔ 079	Sin función
		080 ⇔ 084	Invertir desplazamiento lateral/inclinación
		085 ⇔ 089	Invertir desplazamiento lateral
		090 ⇔ 094	Invertir inclinación
		095 ⇔ 099	Cancelar invertir desplazamiento lateral
		100 ⇔ 104	Cancelar invertir inclinación
		105 ⇔ 109	Cancelar invertir movimiento lateral/inclinación
		110 ⇔ 114	Desplazamiento lateral/inclinación velocidad normal
		115 ⇔ 119	Desplazamiento lateral/inclinación velocidad normal
		120 ⇔ 124	Desplazamiento lateral/inclinación velocidad rápida
		125 ⇔ 129	Ventilador (velocidad máxima)
		130 ⇔ 134	Ventilador (automático)
135 ⇔ 139	Atenuador, rápido		
140 ⇔ 144	Atenuador, suave		
145 ⇔ 255	Sin función		
29	Macros de movimiento	000 ⇔ 007	Sin función
		008 ⇔ 023	Macro de movimiento automático 1
		024 ⇔ 039	Macro de movimiento automático 2
		040 ⇔ 055	Macro de movimiento automático 3
		056 ⇔ 071	Macro de movimiento automático 4
		072 ⇔ 087	Macro de movimiento automático 5
		088 ⇔ 103	Macro de movimiento automático 6
		104 ⇔ 119	Macro de movimiento automático 7
		120 ⇔ 135	Macro de movimiento automático 8
		136 ⇔ 151	Macro de movimiento Activo por sonido 1
		152 ⇔ 167	Macro de movimiento Activo por sonido 2
		168 ⇔ 183	Macro de movimiento Activo por sonido 3
		184 ⇔ 199	Macro de movimiento Activo por sonido 4
		200 ⇔ 215	Macro de movimiento Activo por sonido 5
		216 ⇔ 231	Macro de movimiento Activo por sonido 6
		232 ⇔ 247	Macro de movimiento Activo por sonido 7
		248 ⇔ 255	Macro de movimiento Activo por sonido 8

14CH	Canal	Función	Valor	Porcentaje/Configuración
	1	Desplazamiento lateral	000 ⇔ 255	0 a 540°
	2	Inclinación	000 ⇔ 255	0 a 270°
	3	Velocidad	000 ⇔ 255	Desplazamiento lateral/inclinación (rápido a lento)
	4	Rojo	000 ⇔ 255	0 a 100%
	5	Verde	000 ⇔ 255	0 a 100%
	6	Azul	000 ⇔ 255	0 a 100%
	7	Blanco	000 ⇔ 255	0 a 100%
	8	Control integrado	000 ⇔ 015	Sin función
			016 ⇔ 031	Macro zona 1
			032 ⇔ 047	Macro zona 2
			048 ⇔ 063	Macro zona 3
			064 ⇔ 079	Macro zona 4
			080 ⇔ 095	Macro zona 5
			096 ⇔ 111	Macro zona 6
			112 ⇔ 127	Integrado 7 (macros de zona 1—6)
			128 ⇔ 143	Auto integrado 1
			144 ⇔ 159	Auto integrado 2
			160 ⇔ 175	Auto integrado 3
			176 ⇔ 191	Auto integrado 4
			192 ⇔ 207	Auto integrado 5
			208 ⇔ 223	Auto integrado 6
	224 ⇔ 239	Auto integrado 7		
	240 ⇔ 255	Auto integrado 8 (auto integrado 1—7)		
	9	Velocidad integrada	000 ⇔ 255	Velocidad automática de zonas e integrada (lento a rápido)
	10	Atenuador	000 ⇔ 255	0 a 100%
	11	Obturador	000 ⇔ 019	Cerrado
			020 ⇔ 024	Abierto
			025 ⇔ 064	Efecto estroboscopio (velocidad decreciente)
			065 ⇔ 069	Abierto
			070 ⇔ 084	Encender rápido, apagar lento (velocidad decreciente)
			085 ⇔ 089	Abierto
			090 ⇔ 104	Encender lento, apagar rápido (velocidad decreciente)
			105 ⇔ 109	Abierto
			110 ⇔ 124	Obturador aleatorio (velocidad decreciente)
			125 ⇔ 129	Abierto
			130 ⇔ 144	Encender rápido, apagar lento aleatorio (velocidad decreciente)
			145 ⇔ 149	Abierto
			150 ⇔ 164	Aleatorio: encender lento, apagar rápido (velocidad decreciente)
			165 ⇔ 169	Abierto
			170 ⇔ 184	Efecto pulso 1 (velocidad decreciente)
			185 ⇔ 189	Abierto
			190 ⇔ 204	Efecto pulso 2 (velocidad decreciente)
			205 ⇔ 209	Abierto
			210 ⇔ 224	Gradualmente encender y apagar (velocidad decreciente)
			225 ⇔ 229	Abierto
	230 ⇔ 244	Efecto pulso 3 (velocidad decreciente)		
	245 ⇔ 255	Abierto		
	12	Zoom	000 ⇔ 255	Aumentar y disminuir Zoom

14CH
(cont.)

Canal	Función	Valor	Porcentaje/Configuración
13	Funciones de control	000 ⇔ 009	Sin función
		010 ⇔ 014	Blackout desplazamiento lateral/inclinación
		015 ⇔ 049	Sin función
		050 ⇔ 054	Reiniciar desplazamiento lateral
		055 ⇔ 059	Reiniciar inclinación
		060 ⇔ 064	Reiniciar zoom
		065 ⇔ 069	Sin función
		070 ⇔ 074	Reiniciar todo
		075 ⇔ 079	Sin función
		080 ⇔ 084	Invertir desplazamiento lateral/inclinación
		085 ⇔ 089	Invertir desplazamiento lateral
		090 ⇔ 094	Invertir inclinación
		095 ⇔ 099	Cancelar invertir desplazamiento lateral
		100 ⇔ 104	Cancelar invertir inclinación
		105 ⇔ 109	Cancelar invertir movimiento lateral/inclinación
		110 ⇔ 114	Desplazamiento lateral/inclinación velocidad normal
		115 ⇔ 119	Desplazamiento lateral/inclinación velocidad normal
		120 ⇔ 124	Desplazamiento lateral/inclinación velocidad rápida
		125 ⇔ 129	Ventilador (velocidad máxima)
		130 ⇔ 134	Ventilador (automático)
135 ⇔ 139	Atenuador, rápido		
140 ⇔ 144	Atenuador, suave		
145 ⇔ 255	Sin función		
14	Macros de movimiento	000 ⇔ 007	Sin función
		008 ⇔ 023	Macro de movimiento automático 1
		024 ⇔ 039	Macro de movimiento automático 2
		040 ⇔ 055	Macro de movimiento automático 3
		056 ⇔ 071	Macro de movimiento automático 4
		072 ⇔ 087	Macro de movimiento automático 5
		088 ⇔ 103	Macro de movimiento automático 6
		104 ⇔ 119	Macro de movimiento automático 7
		120 ⇔ 135	Macro de movimiento automático 8
		136 ⇔ 151	Macro de movimiento Activo por sonido 1
		152 ⇔ 167	Macro de movimiento Activo por sonido 2
		168 ⇔ 183	Macro de movimiento Activo por sonido 3
		184 ⇔ 199	Macro de movimiento Activo por sonido 4
		200 ⇔ 215	Macro de movimiento Activo por sonido 5
		216 ⇔ 231	Macro de movimiento Activo por sonido 6
		232 ⇔ 247	Macro de movimiento Activo por sonido 7
		248 ⇔ 255	Macro de movimiento Activo por sonido 8

A propos de ce manuel Le Manuel de Référence (MR) du Intimidator Wash Zoom 450 IRC reprend des informations de base sur cet appareil notamment en matière de montage, d'options de menu et de valeurs DMX. Veuillez télécharger le manuel d'utilisation à partir du site internet www.chauvetlighting.com pour plus de détails.

Clause de non Responsabilité Les informations et caractéristiques contenues dans ce MdR sont sujettes à modification sans préavis.

GARANTIE LIMITÉE VEUILLEZ VISITER NOTRE SITE INTERNET POUR CONSULTER LES MODALITÉS D'ENREGISTREMENT DE LA GARANTIE ET LES CONDITIONS GÉNÉRALES COMPLÈTES.

Pour les clients aux États-Unis et au Mexique: www.chauvetlighting.com/warranty-registration.
 Pour les clients du Royaume-Uni, de la République d'Irlande, de la Belgique, des Pays-Bas, du Luxembourg, de la France et de l'Allemagne: www.chauvetlighting.eu/warranty-registration.
 Chauvet garantit que cet appareil est exempt de défauts de matériaux et de fabrication dans des conditions normales d'utilisation, pendant la période spécifiée dans la garantie limitée complète consultable sur notre site Internet et sous réserve des exclusions et limitations qui y sont énoncées. Cette garantie ne s'applique qu'à l'acheteur initial du produit et n'est pas transférable. Pour exercer les droits prévus par cette garantie, vous devez fournir une preuve d'achat sous la forme d'un reçu de vente original d'un revendeur autorisé qui indique le nom du produit et la date d'achat. IL N'EXISTE AUCUNE AUTRE GARANTIE EXPRESSE OU IMPLICITE. Cette garantie vous confère des droits légaux spécifiques. Vous pouvez également bénéficier d'autres droits qui varient selon les États et les pays. Cette garantie n'est valable qu'aux États-Unis, au Royaume-Uni, en République d'Irlande, en Belgique, aux Pays-Bas, au Luxembourg, en France, en Allemagne et au Mexique. Pour connaître les conditions de garantie dans d'autres pays, veuillez consulter votre revendeur local.

Consignes de Sécurité Ces consignes de sécurité contiennent des informations importantes en matière d'installation, d'utilisation et d'entretien.



- Cet appareil DOIT être relié à un circuit mis à la terre et protégé.
- Toujours débrancher l'appareil de la source d'alimentation avant de le nettoyer ou de remplacer son fusible.
- NE PAS exposer directement les yeux à la source de lumière lorsque le produit est allumé.
- Veillez à ce que le cordon d'alimentation ne soit jamais pincé ou endommagé.
- Ne débranchez jamais cet appareil en tirant sur le cordon d'alimentation.
- En cas de montage de l'appareil en hauteur, veillez à toujours utiliser un câble de sécurité.
- NE PAS laisser de produit inflammable à proximité de l'appareil lorsque celui-ci fonctionne.
- NE PAS toucher au boîtier de l'appareil lorsqu'il est en fonctionnement, celui-ci pouvant être très chaud.



- La tension de la source d'énergie à laquelle est connecté cet appareil doit être dans la plage indiquée sur l'étiquette ou sur le panneau arrière de l'appareil.
- Cet appareil doit uniquement être utilisé en intérieur ! (IP20) Afin d'éviter tout risque d'incendie ou de décharge électrique, veillez à n'exposer cet appareil ni à la pluie ni à l'humidité.
- Installez toujours cet appareil dans un endroit bien ventilé à au moins 50 cm des surfaces adjacentes.
- Assurez-vous qu'aucune fente de ventilation de l'appareil n'est obstruée.
- Ne connectez jamais cet appareil à un variateur ou un rhéostat.
- Lors du remplacement du fusible, utilisez le même type et le même ampérage.
- Utilisez TOUJOURS le support de suspension/fixation pour supporter l'appareil.
- La température ambiante maximale est de 40 °C (104 °F). Ne faites pas fonctionner cet appareil à des températures plus élevées.
- En cas de sérieux problèmes de fonctionnement, arrêtez l'appareil immédiatement.
- NE PAS ouvrir cet appareil. Il ne contient aucune pièce réparable par l'utilisateur.
- Durant les périodes de non-utilisation, pour éviter toute usure inutile et pour prolonger la durée de vie, déconnectez entièrement l'appareil en le débranchant de l'alimentation électrique ou en coupant le disjoncteur.

Nous contacter En dehors des États-Unis, du Royaume-Uni, de l'Irlande, du Benelux, de la France, de l'Allemagne, ou du Mexique, contactez votre fournisseur si vous avez besoin d'assistance ou pour retourner un appareil. Référez-vous à [Contact Us](#) à la fin de ce MdR pour obtenir des informations pour nous contacter.

Contenu

- Intimidator Wash Zoom 450 IRC
- Cordon d'alimentation
- Fixation de suspension avec matériel
- Manuel de référence de montage.

Préalable Déballer votre Intimidator Wash Zoom 450 IRC et assurez-vous que vous avez reçu toutes les pièces en bon état. Si la boîte et/ou son contenu semble endommagés, contactez immédiatement le transporteur, et non pas Chauvet.

Alimentation CA Cet appareil est doté d'une alimentation universelle qui peut prendre en charge toute tension d'entrée comprise entre 100 et 240 VCA, 50/60 Hz

Remplacement du fusible

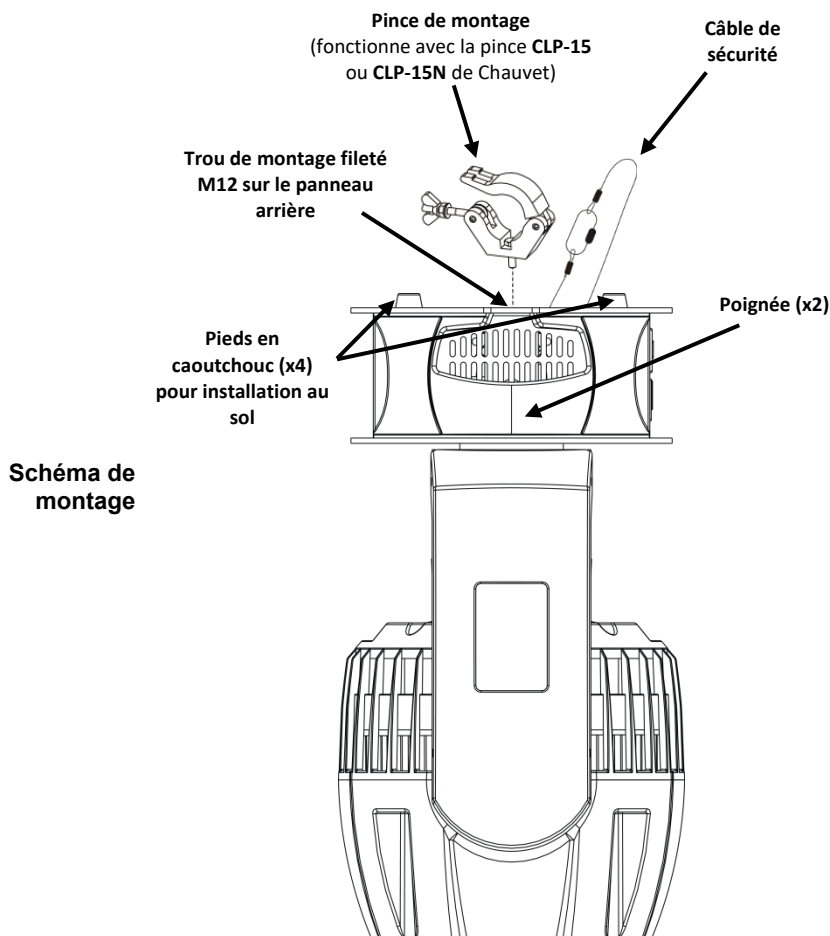
1. Débranchez l'appareil.
2. Avec un tournevis à tête plate, dévissez le porte-fusible et retirez-le directement.
3. Enlevez le fusible grillé du porte fusible et remplacez-le par un fusible de même type et de même ampérage.
4. Remettez le porte-fusible en place puis rebranchez.

Télécommande infra-rouge 6 Le Intimidator Wash Zoom 450 IRC est compatible avec la télécommande IRC-6 de Chauvet.

Les boutons suivants de l'IRC-6 sont utilisés avec le Intimidator™ Wash 450 IRC :

- <BLACKOUT> - Allumage/extinction des LED
- <AUTO> - Sélection du mode programme automatique (défilement)
- <SOUND> - Sélection du mode d'activation par le son
- <STROBE> - Activation de l'effet stroboscopique (0–20 Hz)
- <SPEED> - Vitesse de basculement/balayage du programme automatique
- <SENSITIVITY> - Sélection de la sensibilité au son
- <%> - Gradateur LED
- <MANUAL> - Contrôle manuel de la LED blanche (RGB)
- <FADE/SNAP> - Appuyer une fois pour le changement de la couleur de fondu. Appuyer deux fois pour l'accroche (Snap).
- <R> - Contrôle manuel de la LED rouge
- <G> - Contrôle manuel de la LED verte
- - Contrôle manuel de la LED bleue
- <W> - Contrôle manuel de la LED blanche
- <UV> - Réglage manuel du zoom
- <+> - Augmenter
- <-> - Diminuer
- <0> à <9> - Sélection d'un programme automatique par son numéro.

Montage Avant de monter cet appareil, veuillez lire les consignes de sécurité.



Lorsque vous n'utilisez qu'une seule fixation de montage, veuillez à utiliser un boulon d'ancrage à goujon captif pour empêcher tout desserrage accidentel.

Description du panneau de commande

Bouton	Fonction
<MENU>	Permet de sortir du menu ou de la fonction en cours
<UP>	Permet de naviguer vers le haut dans la liste du menu et d'incrémenter une valeur numérique dans une fonction.
<DOWN>	Permet de naviguer vers le bas dans la liste du menu et de décrémenter une valeur numérique dans une fonction.
<ENTER>	Active l'entrée de menu actuellement affichée ou confirme la valeur actuellement sélectionnée pour la fonction en cours de sélection.

Options du menu

Fonction principale	Niveaux de programmation		Description
Address	001–512		Permet de définir l'adresse DMX de départ
Run Mode	DMX	14CH	Activation du mode DMX
		29CH	
	Auto	Auto01—Auto16	Permet de sélectionner un programme automatique
	Sound		Sélection le mode d'activation par le son
	Slave		Permet de sélectionner le mode esclave
Setup	IR		Activation du contrôle par infra-rouge
	Pan Reverse	OFF	Fonctionnement normal du balayage
		ON	Fonctionnement inversé du balayage
	Tilt Reverse	OFF	Fonctionnement normal du basculement
		ON	Fonctionnement inversé du basculement
	Pan Angle	540	Sélection de la plage de balayage sur un angle de 540°
		360	Sélection de la plage de balayage sur un angle de 360°
		180	Sélection de la plage de balayage sur un angle de 180°
	Tilt Angle	270	Sélection de la plage de basculement sur un angle de 270°
		180	Sélection de la plage de basculement sur un angle de 180°
		90	Sélection de la plage de basculement sur un angle de 90°
	P/T Speed	Normal	Sélection de la vitesse de basculement/balayage
		Fast	
		Slow	
	Fans	Auto	Réglage de la vitesse du ventilateur en fonction de la température
		Full	Vitesse du ventilateur à la vitesse maximale
	Display	OFF	Le rétro-éclairage de l'affichage s'éteint après un délai d'inactivité
		ON	Le rétro-éclairage de l'affichage reste allumé
	Screen Rev	OFF	Affichage normal
		ON	Affichage inversé
	Dimmer Curve	Square	Permet de sélectionner le mode de courbe de gradation
		I Square	
		SCurve	
		Linear	
	Dimmer Speed	Fast	Permet de sélectionner la vitesse de gradation
		Smooth	
	Color Balance	RED	Permet de sélectionner la balance de couleur (100 à 255)
GREEN			
BLUE			
WHITE			
Sensitivity	001—100	Permet de configurer la sensibilité au son	
Reset		Réinitialisation de l'appareil	
Factory Set		Chargement des paramètres par défaut	
Sys Info	Ver VX		Affiche la version du logiciel.
	Running Mode XXXXX		Affiche le mode d'exécution courant.
	DMX Address XXX		Affiche l'adresse DMX courante
	Temperature XXX		Affiche la température des LEDs en degrés Celsius

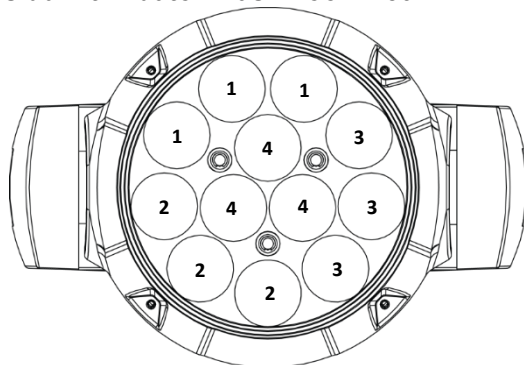
Chaînage DMX L'Intimidator Wash Zoom 450 IRC peut fonctionner avec un contrôleur DMX lorsqu'il est relié par des connexions séries DMX. Les instructions pour la connexion et la configuration de cet appareil pour le fonctionnement en DMX sont indiquées dans le manuel d'utilisation. Si vous n'êtes pas familier avec le protocole DMX, vous pouvez télécharger l'introduction au DMX à l'adresse www.chauvetlighting.com.

Adresse de départ Pour permettre un accès à l'ensemble des canaux de chaque mode DMX, l'adresse DMX maximale recommandée est 484.

Connexion maître/esclave L'Intimidator Wash Zoom 450 IRC utilise une connexion de données DMX pour le fonctionnement de son mode maître/esclave. Les instructions pour la connexion et la configuration de cet appareil pour le fonctionnement en maître/esclave sont indiquées dans le manuel d'utilisation.

Valeurs DMX

Zones de contrôles du Intimidator Wash Zoom 450 IRC



29CH	Canal	Fonction	Valeur	Pourcentage/Paramétrage
	1	Pan (balayage)	000 ⇔ 255	0 à 540°
	2	Pan fin	000 ⇔ 255	Contrôle précis du balayage
	3	Tilt (basculement)	000 ⇔ 255	0 à 270°
	4	Tilt fin	000 ⇔ 255	Contrôle précis du basculement
	5	Speed (vitesse)	000 ⇔ 255	Vitesse de balayage/basculement (rapide à lent)
	6	Red (rouge)	000 ⇔ 255	0 à 100%
	7	Green (vert)	000 ⇔ 255	0 à 100%
	8	Blue (bleu)	000 ⇔ 255	0 à 100%
	9	Blanc	000 ⇔ 255	0 à 100%
	10	Rouge	000 ⇔ 255	0 à 100%
	11	Vert	000 ⇔ 255	0 à 100%
	12	Bleu	000 ⇔ 255	0 à 100%
	13	Blanc	000 ⇔ 255	0 à 100%
	14	Rouge	000 ⇔ 255	0 à 100%
	15	Vert	000 ⇔ 255	0 à 100%
	16	Bleu	000 ⇔ 255	0 à 100%
	17	Blanc	000 ⇔ 255	0 à 100%
	18	Rouge	000 ⇔ 255	0 à 100%
	19	Vert	000 ⇔ 255	0 à 100%
	20	Bleu	000 ⇔ 255	0 à 100%
	21	Blanc	000 ⇔ 255	0 à 100%

29CH (suite)	Canal	Fonction	Valeur	Pourcentage/Paramétrage
			000 ⇔ 004	Aucune fonction
			005 ⇔ 009	Couleur 1
			010 ⇔ 014	Couleur 2
			015 ⇔ 019	Couleur 3
			020 ⇔ 024	Couleur 4
			025 ⇔ 029	Couleur 5
			030 ⇔ 034	Couleur 6
			035 ⇔ 039	Couleur 7
			040 ⇔ 044	Couleur 8
			045 ⇔ 049	Couleur 9
			050 ⇔ 054	Couleur 10
			055 ⇔ 059	Couleur 11
			060 ⇔ 064	Couleur 12
			065 ⇔ 069	Couleur 13
			070 ⇔ 074	Couleur 14
			075 ⇔ 079	Couleur 15
			080 ⇔ 084	Couleur 16
			085 ⇔ 089	Couleur 17
			090 ⇔ 094	Couleur 18
			095 ⇔ 099	Couleur 19
			100 ⇔ 104	Couleur 20
			105 ⇔ 109	Couleur 21
			110 ⇔ 114	Couleur 22
			115 ⇔ 119	Couleur 23
			120 ⇔ 124	Couleur 24
			125 ⇔ 129	Couleur 25
			130 ⇔ 134	Couleur 26
			135 ⇔ 139	Couleur 27
			140 ⇔ 144	Couleur 28
			145 ⇔ 149	Couleur 29
			150 ⇔ 154	Couleur 30
			155 ⇔ 159	Couleur 31
			160 ⇔ 164	Couleur 32
			165 ⇔ 169	Couleur 33
			170 ⇔ 174	Couleur 34
			175 ⇔ 179	Aucune fonction
			180 ⇔ 201	Changement de couleur dans le sens horaire (rapide à lent)
			202 ⇔ 207	Arrêt (la couleur actuellement affichée reste)
			208 ⇔ 229	Changement de couleur dans le sens antihoraire (lent à rapide)
			230 ⇔ 234	Aucune fonction
			235 ⇔ 249	Saut de couleur (rapide à lent)
			250 ⇔ 255	Couleurs activées par le son

22

Couleurs

29CH
 (suite)

Canal	Fonction	Valeur	Pourcentage/Paramétrage
23	Contrôle intégré	000 ⇔ 015	Aucune fonction
		016 ⇔ 031	Macro de zone 1
		032 ⇔ 047	Macro de zone 2
		048 ⇔ 063	Macro de zone 3
		064 ⇔ 079	Macro de zone 4
		080 ⇔ 095	Macro de zone 5
		096 ⇔ 111	Macro de zone 6
		112 ⇔ 127	Intégré 7 (macros de zone 1 à 6)
		128 ⇔ 143	Intégré auto 1
		144 ⇔ 159	Intégré auto 2
		160 ⇔ 175	Intégré auto 3
		176 ⇔ 191	Intégré auto 4
		192 ⇔ 207	Intégré auto 5
		208 ⇔ 223	Intégré auto 6
		224 ⇔ 239	Intégré auto 7
240 ⇔ 255	Intégré 8 (Intégré auto 1 à 7)		
24	Vitesse intégrée	000 ⇔ 255	Zones et vitesse automatique intégrée (lent à rapide)
25	Assombrissement	000 ⇔ 255	0 à 100%
26	Shutter	000 ⇔ 019	Fermé
		020 ⇔ 024	Ouvert
		025 ⇔ 064	Effet stroboscopique (vitesse en diminution)
		065 ⇔ 069	Ouvert
		070 ⇔ 084	Marche rapide/arrêt lent (vitesse en diminution)
		085 ⇔ 089	Ouvert
		090 ⇔ 104	Marche lente/arrêt rapide (vitesse en diminution)
		105 ⇔ 109	Ouvert
		110 ⇔ 124	Obturbateur aléatoire (vitesse en diminution)
		125 ⇔ 129	Ouvert
		130 ⇔ 144	Marche rapide/arrêt lent aléatoire (vitesse en diminution)
		145 ⇔ 149	Ouvert
		150 ⇔ 164	Marche lente/arrêt rapide aléatoire (vitesse en diminution)
		165 ⇔ 169	Ouvert
		170 ⇔ 184	Effet pulsation 1 (vitesse en diminution)
		185 ⇔ 189	Ouvert
		190 ⇔ 204	Effet pulsation 2 (vitesse en diminution)
		205 ⇔ 209	Ouvert
		210 ⇔ 224	Marche/arrêt progressif (vitesse en diminution)
		225 ⇔ 229	Ouvert
230 ⇔ 244	Effet pulsation 3 (vitesse en diminution)		
245 ⇔ 255	Ouvert		

29CH (suite)	Canal	Fonction	Valeur	Pourcentage/Paramétrage
	27	Zoom	000 ⇔ 255	Zoom avant et arrière
	28	Fonctions de contrôle	000 ⇔ 009	Aucune fonction
			010 ⇔ 014	Noir général pendant le balayage/basculement
			015 ⇔ 049	Aucune fonction
			050 ⇔ 054	Réinitialisation du balayage
			055 ⇔ 059	Réinitialisation du basculement
			060 ⇔ 064	Réinitialisation du zoom
			065 ⇔ 069	Aucune fonction
			070 ⇔ 074	Réinitialisation totale
			075 ⇔ 079	Aucune fonction
			080 ⇔ 084	Balayage/basculement inverse
			085 ⇔ 089	Balayage inverse
			090 ⇔ 094	Basculement inversé
			095 ⇔ 099	Annulation du balayage inverse
			100 ⇔ 104	Annulation du basculement inverse
			105 ⇔ 109	Annulation du balayage/basculement inverse
			110 ⇔ 114	Vitesse normale balayage/basculement
			115 ⇔ 119	Vitesse rapide balayage/basculement
			120 ⇔ 124	Vitesse lente balayage/basculement
			125 ⇔ 129	Ventilateur (vitesse maximale)
			130 ⇔ 134	Ventilateur (automatique)
	135 ⇔ 139	Gradateur, rapide		
	140 ⇔ 144	Gradateur, doux		
	145 ⇔ 255	Aucune fonction		
	29	Macros de mouvements	000 ⇔ 007	Aucune fonction
			008 ⇔ 023	Macro de mouvement automatique 1
			024 ⇔ 039	Macro de mouvement automatique 2
			040 ⇔ 055	Macro de mouvement automatique 3
			056 ⇔ 071	Macro de mouvement automatique 4
			072 ⇔ 087	Macro de mouvement automatique 5
			088 ⇔ 103	Macro de mouvement automatique 6
			104 ⇔ 119	Macro de mouvement automatique 7
			120 ⇔ 135	Macro de mouvement automatique 8
			136 ⇔ 151	Macro de mouvement activé par le son 1
			152 ⇔ 167	Macro de mouvement activé par le son 2
			168 ⇔ 183	Macro de mouvement activé par le son 3
			184 ⇔ 199	Macro de mouvement activé par le son 4
			200 ⇔ 215	Macro de mouvement activé par le son 5
			216 ⇔ 231	Macro de mouvement activé par le son 6
			232 ⇔ 247	Macro de mouvement activé par le son 7
			248 ⇔ 255	Macro de mouvement activé par le son 8

14CH	Canal	Fonction	Valeur	Pourcentage/Paramétrage
	1	Pan (basculement)	000 ⇄ 255	0 à 540°
	2	Tilt (basculement)	000 ⇄ 255	0 à 270°
	3	Speed (vitesse)	000 ⇄ 255	Balayage/basculement (rapide à lent)
	4	Red (rouge)	000 ⇄ 255	0 à 100%
	5	Green (vert)	000 ⇄ 255	0 à 100%
	6	Blue (bleu)	000 ⇄ 255	0 à 100%
	7	White (blanc)	000 ⇄ 255	0 à 100%
	8	Contrôle intégré	000 ⇄ 015	Aucune fonction
			016 ⇄ 031	Macro de zone 1
			032 ⇄ 047	Macro de zone 2
			048 ⇄ 063	Macro de zone 3
			064 ⇄ 079	Macro de zone 4
			080 ⇄ 095	Macro de zone 5
			096 ⇄ 111	Macro de zone 6
			112 ⇄ 127	Intégré 7 (macros de zone 1 à 6)
			128 ⇄ 143	Intégré auto 1
			144 ⇄ 159	Intégré auto 2
			160 ⇄ 175	Intégré auto 3
			176 ⇄ 191	Intégré auto 4
			192 ⇄ 207	Intégré auto 5
	208 ⇄ 223	Intégré auto 6		
	224 ⇄ 239	Intégré auto 7		
	240 ⇄ 255	Intégré 8 (intégré auto 1 à 7)		
	9	Vitesse intégrée	000 ⇄ 255	Zones et vitesse automatique intégrée (lent à rapide)
	10	Assombrissement	000 ⇄ 255	0 à 100%
	11	Obturateur	000 ⇄ 019	Fermé
			020 ⇄ 024	Ouvert
			025 ⇄ 064	Effet stroboscopique (vitesse en diminution)
			065 ⇄ 069	Ouvert
			070 ⇄ 084	Marche rapide/arrêt lent (vitesse en diminution)
			085 ⇄ 089	Ouvert
			090 ⇄ 104	Marche lente/arrêt rapide (vitesse en diminution)
			105 ⇄ 109	Ouvert
			110 ⇄ 124	Obturateur aléatoire (vitesse en diminution)
			125 ⇄ 129	Ouvert
			130 ⇄ 144	Marche rapide/arrêt lent aléatoire (vitesse en diminution)
			145 ⇄ 149	Ouvert
			150 ⇄ 164	Marche lente/arrêt rapide aléatoire (vitesse en diminution)
			165 ⇄ 169	Ouvert
			170 ⇄ 184	Effet pulsation 1 (vitesse en diminution)
			185 ⇄ 189	Ouvert
			190 ⇄ 204	Effet pulsation 2 (vitesse en diminution)
	205 ⇄ 209	Ouvert		
	210 ⇄ 224	Marche/arrêt progressif (vitesse en diminution)		
	225 ⇄ 229	Ouvert		
	230 ⇄ 244	Effet pulsation 3 (vitesse en diminution)		
	245 ⇄ 255	Ouvert		
	12	Zoom	000 ⇄ 255	Zoom avant et arrière

14CH (suite)	Canal	Fonction	Valeur	Pourcentage/Paramétrage
	13	Fonctions de contrôle	000 ⇔ 009	Aucune fonction
			010 ⇔ 014	Noir général balayage/basculement
			015 ⇔ 049	Aucune fonction
			050 ⇔ 054	Réinitialisation du balayage
			055 ⇔ 059	Réinitialisation du basculement
			060 ⇔ 064	Réinitialisation du zoom
			065 ⇔ 069	Aucune fonction
			070 ⇔ 074	Réinitialisation totale
			075 ⇔ 079	Aucune fonction
			080 ⇔ 084	Balayage/basculement inverse
			085 ⇔ 089	Balayage inverse
			090 ⇔ 094	Basculement inversé
			095 ⇔ 099	Annulation du balayage inverse
			100 ⇔ 104	Annulation du basculement inverse
			105 ⇔ 109	Annulation du balayage/basculement inverse
			110 ⇔ 114	Vitesse normale balayage/basculement
			115 ⇔ 119	Vitesse rapide balayage/basculement
			120 ⇔ 124	Vitesse lente balayage/basculement
			125 ⇔ 129	Ventilateur (vitesse maximale)
			130 ⇔ 134	Ventilateur (automatique)
135 ⇔ 139	Gradateur, rapide			
140 ⇔ 144	Gradateur, doux			
145 ⇔ 255	Aucune fonction			
	14	Macros de mouvements	000 ⇔ 007	Aucune fonction
			008 ⇔ 023	Macro de mouvement automatique 1
			024 ⇔ 039	Macro de mouvement automatique 2
			040 ⇔ 055	Macro de mouvement automatique 3
			056 ⇔ 071	Macro de mouvement automatique 4
			072 ⇔ 087	Macro de mouvement automatique 5
			088 ⇔ 103	Macro de mouvement automatique 6
			104 ⇔ 119	Macro de mouvement automatique 7
			120 ⇔ 135	Macro de mouvement automatique 8
			136 ⇔ 151	Macro de mouvement activé par le son 1
			152 ⇔ 167	Macro de mouvement activé par le son 2
			168 ⇔ 183	Macro de mouvement activé par le son 3
			184 ⇔ 199	Macro de mouvement activé par le son 4
			200 ⇔ 215	Macro de mouvement activé par le son 5
			216 ⇔ 231	Macro de mouvement activé par le son 6
			232 ⇔ 247	Macro de mouvement activé par le son 7
			248 ⇔ 255	Macro de mouvement activé par le son 8

Über diese Schnellanleitung In der Schnellanleitung des Intimidator Wash Zoom 450 IRC finden Sie die wesentlichen Produktinformationen, wie etwa über die Montage, Menüoptionen und DMX-Werte des Geräts. Laden Sie für weiterführende Informationen unter www.chauvetlighting.com das Benutzerhandbuch herunter.

Haftungsausschluss Die in dieser Anleitung aufgeführten Informationen und Spezifikationen können ohne vorherige Ankündigung geändert werden.

EINGESCHRÄNKTE GARANTIE ZUR REGISTRIERUNG FÜR GARANTIEANSPRÜCHE UND ZUR EINSICHT IN DIE VOLLSTÄNDIGEN GESCHÄFTSBEDINGUNGEN BESUCHEN SIE BITTE UNSERE WEBSITE. Für Kunden in den USA und in Mexiko: www.chauvetlighting.com/warranty-registration. Für Kunden im Vereinigten Königreich, in Irland, Belgien, den Niederlanden, Luxemburg, Frankreich und Deutschland: www.chauvetlighting.eu/warranty-registration.

Chauvet garantiert für die in der auf unserer Website veröffentlichten vollständigen eingeschränkten Garantie genannten Dauer und unter Vorbehalt der darin genannten Haftungsausschlüsse und -beschränkungen, dass dieses Produkt bei normalen Gebrauch frei von Material- und Verarbeitungsfehlern ist. Diese Garantie erstreckt sich nur auf den Erstkäufer des Produkts und ist nicht übertragbar. Zur Ausübung der unter dieser Garantie gewährten Rechte ist der Kaufbeleg in Form der Originalrechnung von einem autorisierten Händler vorzulegen, in der die Produktbezeichnung und das Kaufdatum vermerkt sein müssen. ES BESTEHEN KEINE WEITEREN AUSDRÜCKLICHEN ODER STILLSCHWEIGENDEN GARANTIEN. Diese Garantie gibt Ihnen besondere gesetzliche Rechte. Und Sie haben möglicherweise weitere Rechte, die von Land zu Land unterschiedlich sein können. Diese Garantie ist nur in den USA, im Vereinigten Königreich, in Irland, Belgien, den Niederlanden, Luxemburg, Frankreich, Deutschland und Mexiko gültig. Bezüglich der Garantiebestimmungen in anderen Ländern wenden Sie sich bitte an Ihren lokalen Händler.

Sicherheitshinweise Diese Sicherheitshinweise enthalten wichtige Informationen über die Montage, Verwendung und Wartung des Geräts.



- Schließen Sie dieses Produkt NUR an einen mit der Erde verbundenen und geschützten Stromkreis an.
- Trennen Sie das Gerät von der Stromquelle, bevor Sie es reinigen oder die Sicherung austauschen.
- NIEMALS in die Lichtquelle schauen, während das Gerät eingeschaltet ist.
- Stellen Sie sicher, dass das Netzkabel nicht gequetscht oder beschädigt ist.
- Ziehen Sie beim Trennen des Geräts von der Stromversorgung nie am Kabel.
- Bei Montage über Kopf immer ein Sicherungsseil verwenden.
- KEINE entflammaren Materialien während des Betriebs in der Nähe des Geräts lagern.
- NIEMALS während des Betriebs das Gehäuse berühren, da dies sehr heiß wird.



- Die Spannung der Schukosteckdose, an die Sie das Gerät anschließen, muss sich innerhalb des Spannungsbereiches befinden, der auf dem Hinweisschild oder dem rückwärtigen Bedienfeld des Geräts angegeben ist.
- Dieses Gerät darf nur im Innenbereich verwendet werden. (IP20) Um das Risiko von Bränden oder elektrischen Schlägen zu vermeiden, dürfen Sie das Gerät nicht Regen oder Feuchtigkeit aussetzen.
- Installieren Sie das Gerät an einem Ort mit ausreichender Belüftung und mit einem Abstand von 50 cm zu den angrenzenden Flächen.
- Stellen Sie sicher, dass die Lüftungsöffnungen im Gehäuse des Geräts nicht verschlossen sind.
- Die maximal zulässige Umgebungstemperatur beträgt 40 °C. Nehmen Sie das Gerät nicht bei höheren Temperaturen in Betrieb.
- Bei ernsthaften Betriebsproblemen stoppen Sie umgehend die Verwendung des Geräts.
- Dieses Gerät NICHT öffnen. Die eingebauten Komponenten sind für den Kunden wartungsfrei.
- Um unnötigen Verschleiß zu vermeiden und die Lebensdauer des Geräts zu verlängern, trennen Sie während längerer Perioden des Nichtgebrauchs das Gerät vom Stromnetz – entweder per Trennschalter oder durch Herausziehen des Steckers aus der Steckdose.

Kontakt Kunden außerhalb der USA, GB, Irland, Benelux, Frankreich, Deutschland oder Mexiko wenden sich an ihren Lieferanten, um den Kundensupport in Anspruch zu nehmen oder ein Produkt zurückzuschicken. Kontaktinformationen finden Sie im [Contact Us](#) am Ende dieses QRG.

**Packungs-
inhalt**

- Intimidator Wash Zoom 450 IRC
- Hängebügel mit Befestigungsmaterial
- Netzkabel
- Schnellanleitung

Start

Packen Sie den Intimidator Wash Zoom 450 IRC aus und überprüfen Sie, ob Sie alle Teile unbeschädigt erhalten haben. Wenn die Verpackung beschädigt ist, benachrichtigen Sie umgehend das Transportunternehmen, nicht jedoch Chauvet.

Wechselstrom

Dieses Gerät verfügt über ein Vorschaltgerät, das automatisch die anliegende Spannung erkennt, sobald der Netzstecker in die Schukosteckdose gesteckt wird, und kann mit einer Eingangsspannung von 100 bis 240 V AC, 50/60 Hz arbeiten.

**Auswechseln
der Sicherung**

1. Trennen Sie das Gerät vom Stromnetz.
2. Mithilfe eines Flachkopfschraubendrehers lösen Sie den Sicherungshalter und ziehen ihn gerade heraus.
3. Entfernen Sie die durchgebrannte Sicherung von der Klemme, und ersetzen Sie diese durch eine Sicherung des gleichen Typs und mit den gleichen Werten.
4. Stecken Sie den Sicherungshalter wieder zurück, und schließen Sie das Gerät an das Stromnetz an.

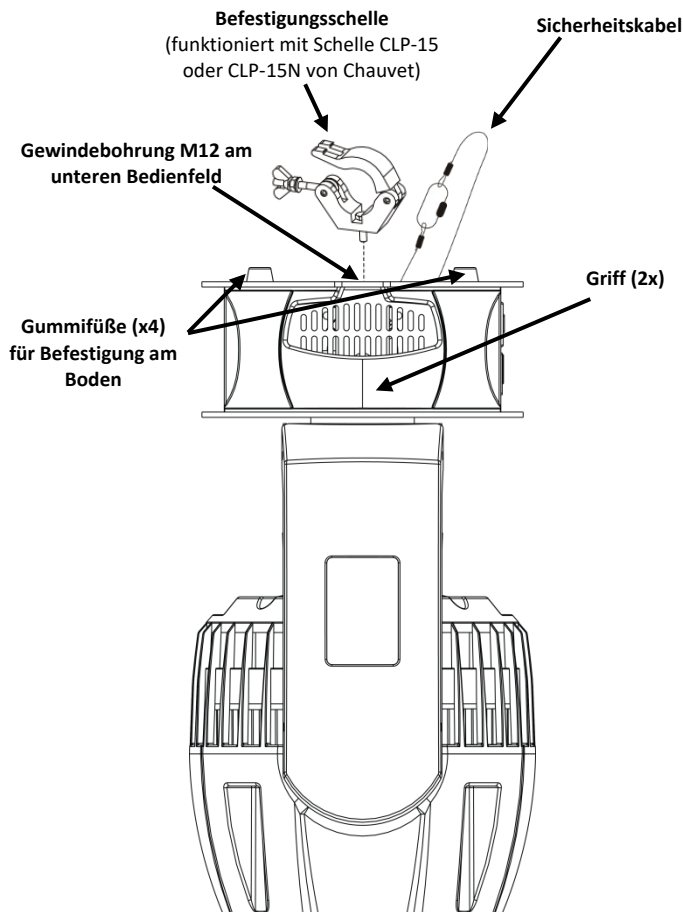
**Infrarot-
Fernbedienung
6 (IRC-6)**

Der Intimidator Wash Zoom 450 IRC ist vollständig kompatibel mit der Infrarot-Fernbedienung 6 (IRC-6) von Chauvet.

Die folgenden Tasten der IRC-6-Fernbedienung werden für den Intimidator™ Wash 450 IRC verwendet:

- <BLACKOUT> - schaltet die LED ein/aus
- <AUTO> - wählt den Auto-Programm-Modus aus (scrollen)
- <SOUND> - wählt den Musiksteuerungs-Modus aus
- <STROBE> - Stroboskopeffekt (0–20 Hz)
- <SPEED> - Geschwindigkeit des Auto-Programms (Schwenkung und Neigung)
- <SENSITIVITY> - wählt die Musikempfindlichkeit aus
- <%> - LED-Dimmer
- <MANUAL> - manuelle Steuerung der weißen (RGB) LED
- <FADE> - für Fade-Farbwechsel einmal drücken, für Snap zweimal drücken
- <R> - manuelle Steuerung der roten LED
- <G> - manuelle Steuerung der grünen LED
- - manuelle Steuerung der blauen LED
- <W> - manuelle Steuerung der weißen LED
- <UV> - manuelle Einstellung des Zooms
- <+> - erhöhen
- <-> - senken
- <0> bis <9> - wählt das Auto-Programm nach der Nummer aus

Montage Lesen Sie vor der Montage dieses Geräts in jedem Fall die [Sicherheitshinweise](#).



Montageansicht



Versichern Sie sich, dass bei Verwendung von nur einer Befestigungsklemme eine Sicherungsschraube zum Einsatz kommt, um ein unbeabsichtigtes Lösen zu verhindern.

Beschreibung des Bedienfeldes

Taste	Funktion
<MENU>	Damit verlassen Sie das aktuelle Menü oder die Funktion.
<UP>	Damit navigieren Sie sich durch die Menüpunkte nach oben und erhöhen den numerischen Wert der entsprechenden Funktion.
<DOWN>	Damit navigieren Sie sich durch die Menüpunkte nach unten und verringern den numerischen Wert der entsprechenden Funktion.
<ENTER>	Damit wird das aktuell angezeigte Menü aktiviert oder der aktuell ausgewählte Wert einer Funktion eingestellt.

Menüoptionen

Hauptfunktion	Programmirebenen	Beschreibung	
Address	001–512	Stellt die DMX-Startadresse ein	
Run Mode	DMX	14CH	Wählt den DMX-Modus aus
		29CH	
	Auto	Auto01—Auto16	Wählt das Auto-Programm aus
		Sound	Wählt den Musiksteuerungs-Modus aus
		Slave	Wählt den Slave-Modus aus
	IR	Wählt eine Infrarot-Steuerung	
Setup	Pan Reverse	OFF	Normaler Schwenk-Modus
		ON	Umgekehrter Schwenk-Modus
	Tilt Reverse	OFF	Normaler Neigungs-Modus
		ON	Umgekehrter Neigungs-Modus
	Pan Angle	540	Wählt den 540°-Schwenkwinkelbereich aus
		360	Wählt den 360°-Schwenkwinkelbereich aus
		180	Wählt den 180°-Schwenkwinkelbereich aus
	Tilt Angle	270	Wählt den 270°-Neigungswinkelbereich aus
		180	Wählt den 180°-Neigungswinkelbereich aus
		90	Wählt den 90°-Neigungswinkelbereich aus
	P/T Speed	Normal	Wählt die Geschwindigkeit der Schwenkung/Neigung aus
		Fast	
		Slow	
	Fans	Auto	Stellt die Lüfterdrehzahl nach der Temperatur ein
		Full	Lüfterdrehzahl auf volle Drehzahl
	Display	OFF	Hintergrundbeleuchtung der Anzeige schaltet nach Inaktivität aus
		ON	Hintergrundbeleuchtung der Anzeige bleibt immer an
	Screen Rev	OFF	Normale Anzeige
		ON	Umgekehrte Anzeige
	Dimmer Curve	Square	Wählt die Dimmungskurve aus
		I Square	
		SCurve	
		Linear	
Dimmer Speed	Fast	Wählt die Dimmgeschwindigkeit aus	
	Smooth		
Color Balance	RED	Wählt die Farbbalance aus (100 bis 255)	
	GREEN		
	BLUE		
	WHITE		
Sensitivity	001—100	Stellt die Musikempfindlichkeit ein	
	Reset	Setzt das Gerät zurück	
	Factory Set	Lädt Werkseinstellung	
Sys Info	Ver VX	Zeigt die Software-Version an	
	Running Mode XXXXX	Zeigt den aktuellen Betriebsmodus an	
	DMX Address XXX	Zeigt die aktuelle DMX-Adresse an	
	Temperature XXX	Zeigt die LED-Temperatur in Grad Celsius an	

DMX- Der Intimidator Wash Zoom 450 IRC kann mit einem DMX-Controller betrieben werden.

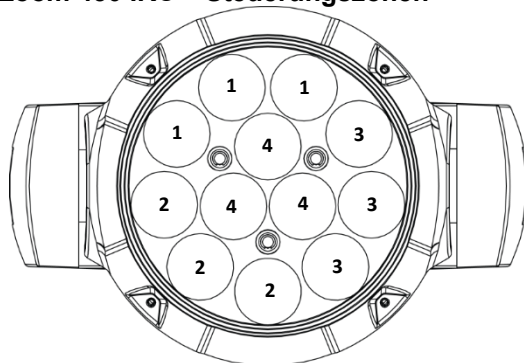
Verbindung wenn eine DMX-Reihenschaltung zum Einsatz kommt. Anweisungen zum Zusammenschluss und der Konfiguration dieses Geräts für den Betrieb im DMX-Modus finden Sie im Benutzerhandbuch. Wenn Sie mit DMX nicht vertraut sind, laden Sie "DMX - Eine Einführung" unter www.chauvetlighting.com herunter.

Startadresse Um einen vollständigen Zugang zu allen Kanälen in jedem DMX-Modus zu gewährleisten, beträgt die höchste empfohlene DMX-Adresse **484**.

Master/Slave-Schaltung Der Intimidator Wash Zoom 450 IRC verwendet für seinen Master/Slave-Modus eine DMX-Datenverbindung. Anweisungen zum Zusammenschluss und der Konfiguration dieses Geräts für den Betrieb im Master/Slave-Modus finden Sie im Benutzerhandbuch.

DMX-Werte

Intimidator Wash Zoom 450 IRC – Steuerungszonen



29CH	Kanal	Funktion	Wert	Prozent/Einstellung
	1	Schwenkung	000 ⇔ 255	0 bis 540°
	2	Schwenkung fein	000 ⇔ 255	Feinkontrolle der Schwenkung
	3	Neigung	000 ⇔ 255	0 bis 270°
	4	Neigung fein	000 ⇔ 255	Feinkontrolle der Neigung
	5	Geschwindigkeit	000 ⇔ 255	Geschwindigkeit der Schwenkungs- und Neigungsbewegung (schnell bis langsam)
	6	rot	000 ⇔ 255	0 bis 100%
	7	grün	000 ⇔ 255	0 bis 100%
	8	blau	000 ⇔ 255	0 bis 100%
	9	weiß	000 ⇔ 255	0 bis 100%
	10	rot	000 ⇔ 255	0 bis 100%
	11	grün	000 ⇔ 255	0 bis 100%
	12	blau	000 ⇔ 255	0 bis 100%
	13	weiß	000 ⇔ 255	0 bis 100%
	14	rot	000 ⇔ 255	0 bis 100%
	15	grün	000 ⇔ 255	0 bis 100%
	16	blau	000 ⇔ 255	0 bis 100%
	17	weiß	000 ⇔ 255	0 bis 100%
	18	rot	000 ⇔ 255	0 bis 100%
	19	grün	000 ⇔ 255	0 bis 100%
	20	blau	000 ⇔ 255	0 bis 100%
	21	weiß	000 ⇔ 255	0 bis 100%

29CH
(Forts.)

Kanal	Funktion	Wert	Prozent/Einstellung
22	Farben	000 ⇔ 004	Keine Funktion
		005 ⇔ 009	Farbe 1
		010 ⇔ 014	Farbe 2
		015 ⇔ 019	Farbe 3
		020 ⇔ 024	Farbe 4
		025 ⇔ 029	Farbe 5
		030 ⇔ 034	Farbe 6
		035 ⇔ 039	Farbe 7
		040 ⇔ 044	Farbe 8
		045 ⇔ 049	Farbe 9
		050 ⇔ 054	Farbe 10
		055 ⇔ 059	Farbe 11
		060 ⇔ 064	Farbe 12
		065 ⇔ 069	Farbe 13
		070 ⇔ 074	Farbe 14
		075 ⇔ 079	Farbe 15
		080 ⇔ 084	Farbe 16
		085 ⇔ 089	Farbe 17
		090 ⇔ 094	Farbe 18
		095 ⇔ 099	Farbe 19
		100 ⇔ 104	Farbe 20
		105 ⇔ 109	Farbe 21
		110 ⇔ 114	Farbe 22
		115 ⇔ 119	Farbe 23
		120 ⇔ 124	Farbe 24
		125 ⇔ 129	Farbe 25
		130 ⇔ 134	Farbe 26
		135 ⇔ 139	Farbe 27
		140 ⇔ 144	Farbe 28
		145 ⇔ 149	Farbe 29
		150 ⇔ 154	Farbe 30
		155 ⇔ 159	Farbe 31
		160 ⇔ 164	Farbe 32
		165 ⇔ 169	Farbe 33
170 ⇔ 174	Farbe 34		
175 ⇔ 179	Keine Funktion		
180 ⇔ 201	Farbänderung im Uhrzeigersinn (schnell bis langsam)		
202 ⇔ 207	Stopp (Farbe bleibt aktuelle Farbe)		
208 ⇔ 229	Farbänderung entgegen dem Uhrzeigersinn (langsam bis schnell)		
230 ⇔ 234	Keine Funktion		
235 ⇔ 249	Farbsprung (schnell bis langsam)		
250 ⇔ 255	Musiksteuerungs-Farben		

29CH
 (Forts.)

Kanal	Funktion	Wert	Prozent/Einstellung
23	Integrierte Steuerung	000 ⇔ 015	Keine Funktion
		016 ⇔ 031	Zonenmakro 1
		032 ⇔ 047	Zonenmakro 2
		048 ⇔ 063	Zonenmakro 3
		064 ⇔ 079	Zonenmakro 4
		080 ⇔ 095	Zonenmakro 5
		096 ⇔ 111	Zonenmakro 6
		112 ⇔ 127	Integriert 7 (Zonenmakros 1–6)
		128 ⇔ 143	Integriertes Auto 1
		144 ⇔ 159	Integriertes Auto 2
		160 ⇔ 175	Integriertes Auto 3
		176 ⇔ 191	Integriertes Auto 4
		192 ⇔ 207	Integriertes Auto 5
		208 ⇔ 223	Integriertes Auto 6
		224 ⇔ 239	Integriertes Auto 7
		240 ⇔ 255	Integriert 8 (integriertes Auto 1 bis 7)
24	Integrierte Geschwindigkeit	000 ⇔ 255	Zonen und integrierte Auto-Geschwindigkeit (langsam bis schnell)
25	Dimmer	000 ⇔ 255	0 bis 100%
26	Shutter	000 ⇔ 019	Geschlossen
		020 ⇔ 024	Offen
		025 ⇔ 064	Stroboskopeffekt (Geschwindigkeit)
		065 ⇔ 069	Offen
		070 ⇔ 084	Schnell ein, langsam aus (Geschwindigkeit)
		085 ⇔ 089	Offen
		090 ⇔ 104	Langsam ein, schnell aus (Geschwindigkeit)
		105 ⇔ 109	Offen
		110 ⇔ 124	Zufalls-Shutter (Geschwindigkeit)
		125 ⇔ 129	Offen
		130 ⇔ 144	Zufall schnell ein, langsam aus (Geschwindigkeit)
		145 ⇔ 149	Offen
		150 ⇔ 164	Zufall langsam ein, schnell aus (Geschwindigkeit)
		165 ⇔ 169	Offen
		170 ⇔ 184	Pulse-Effekt 1 (sinkende Geschwindigkeit)
		185 ⇔ 189	Offen
		190 ⇔ 204	Pulse-Effekt 2 (sinkende Geschwindigkeit)
		205 ⇔ 209	Offen
		210 ⇔ 224	Stufenweise ein und aus (sinkende Geschwindigkeit)
		225 ⇔ 229	Offen
230 ⇔ 244	Pulse-Effekt 3 (sinkende Geschwindigkeit)		
245 ⇔ 255	Offen		
27	Zoom	000 ⇔ 255	Vergrößern und verkleinern

29CH (Forts.)	Kanal	Funktion	Wert	Prozent/Einstellung			
	28	Steuerfunktionen	000 ⇔ 009	Keine Funktion			
			010 ⇔ 014	Verdunkelung während der Schwenkung/Neigung			
			015 ⇔ 049	Keine Funktion			
			050 ⇔ 054	Schwenkung zurücksetzen			
			055 ⇔ 059	Neigung zurücksetzen			
			060 ⇔ 064	Zoom zurücksetzen			
			065 ⇔ 069	Keine Funktion			
			070 ⇔ 074	Alle zurücksetzen			
			075 ⇔ 079	Keine Funktion			
			080 ⇔ 084	Umgekehrte Schwenkung/Neigung			
			085 ⇔ 089	Umgekehrte Schwenkung			
			090 ⇔ 094	Umgekehrte Neigung			
			095 ⇔ 099	Umgekehrte Schwenkung abbrechen			
			100 ⇔ 104	Umgekehrte Neigung abbrechen			
			105 ⇔ 109	Umgekehrte Schwenkung/Neigung abbrechen			
			110 ⇔ 114	Normale Schwenkungs-/Neigungsgeschwindigkeit			
			115 ⇔ 119	Hohe Schwenkungs-/Neigungsgeschwindigkeit			
			120 ⇔ 124	Niedrige Schwenkungs-/Neigungsgeschwindigkeit			
			125 ⇔ 129	Lüfter (volle Drehzahl)			
			130 ⇔ 134	Lüfter (automatisch)			
			135 ⇔ 139	Dimmer, hohe Geschwindigkeit			
			140 ⇔ 144	Dimmer, niedrige Geschwindigkeit			
			145 ⇔ 255	Keine Funktion			
				29	Makrobewegungen	000 ⇔ 007	Keine Funktion
						008 ⇔ 023	Makro für automatische Bewegung 1
						024 ⇔ 039	Makro für automatische Bewegung 2
						040 ⇔ 055	Makro für automatische Bewegung 3
						056 ⇔ 071	Makro für automatische Bewegung 4
072 ⇔ 087	Makro für automatische Bewegung 5						
088 ⇔ 103	Makro für automatische Bewegung 6						
104 ⇔ 119	Makro für automatische Bewegung 7						
120 ⇔ 135	Makro für automatische Bewegung 8						
136 ⇔ 151	Makro für musikgesteuerte Bewegung 1						
152 ⇔ 167	Makro für musikgesteuerte Bewegung 2						
168 ⇔ 183	Makro für musikgesteuerte Bewegung 3						
184 ⇔ 199	Makro für musikgesteuerte Bewegung 4						
200 ⇔ 215	Makro für musikgesteuerte Bewegung 5						
216 ⇔ 231	Makro für musikgesteuerte Bewegung 6						
232 ⇔ 247	Makro für musikgesteuerte Bewegung 7						
248 ⇔ 255	Makro für musikgesteuerte Bewegung 8						

14CH

Kanal	Funktion	Wert	Prozent/Einstellung
1	Schwenkung	000 ⇔ 255	0 bis 540°
2	Neigung	000 ⇔ 255	0 bis 270°
3	Geschwindigkeit	000 ⇔ 255	Schwenkung/Neigung (schnell bis langsam)
4	rot	000 ⇔ 255	0 bis 100%
5	grün	000 ⇔ 255	0 bis 100%
6	blau	000 ⇔ 255	0 bis 100%
7	weiß	000 ⇔ 255	0 bis 100%
8	Integrierte Steuerung	000 ⇔ 015	Keine Funktion
		016 ⇔ 031	Zonenmakro 1
		032 ⇔ 047	Zonenmakro 2
		048 ⇔ 063	Zonenmakro 3
		064 ⇔ 079	Zonenmakro 4
		080 ⇔ 095	Zonenmakro 5
		096 ⇔ 111	Zonenmakro 6
		112 ⇔ 127	Integriert 7 (Zonenmakros 1—6)
		128 ⇔ 143	Integriertes Auto 1
		144 ⇔ 159	Integriertes Auto 2
		160 ⇔ 175	Integriertes Auto 3
		176 ⇔ 191	Integriertes Auto 4
192 ⇔ 207	Integriertes Auto 5		
208 ⇔ 223	Integriertes Auto 6		
224 ⇔ 239	Integriertes Auto 7		
240 ⇔ 255	Integriert 8 (integriertes Auto 1 bis 7)		
9	Integrierte Geschwindigkeit	000 ⇔ 255	Zonen und integrierte Auto-Geschwindigkeit (langsam bis schnell)
10	Dimmer	000 ⇔ 255	0 to 100%

14CH (Forts.)	Kanal	Funktion	Wert	Prozent/Einstellung
	11	Shutter	000 ⇔ 019	Geschlossen
			020 ⇔ 024	Offen
			025 ⇔ 064	Stroboskopeffekt (sinkende Geschwindigkeit)
			065 ⇔ 069	Offen
			070 ⇔ 084	Schnell ein, langsam aus (sinkende Geschwindigkeit)
			085 ⇔ 089	Offen
			090 ⇔ 104	Langsam ein, schnell aus (sinkende Geschwindigkeit)
			105 ⇔ 109	Offen
			110 ⇔ 124	Zufalls-Shutter (sinkende Geschwindigkeit)
			125 ⇔ 129	Offen
			130 ⇔ 144	Zufall schnell ein, langsam aus (sinkende Geschwindigkeit)
			145 ⇔ 149	Offen
			150 ⇔ 164	Zufall langsam ein, schnell aus (sinkende Geschwindigkeit)
			165 ⇔ 169	Offen
			170 ⇔ 184	Pulse-Effekt 1 (sinkende Geschwindigkeit)
			185 ⇔ 189	Offen
			190 ⇔ 204	Pulse-Effekt 2 (sinkende Geschwindigkeit)
			205 ⇔ 209	Offen
210 ⇔ 224	Stufenweise ein und aus (sinkende Geschwindigkeit)			
225 ⇔ 229	Offen			
230 ⇔ 244	Pulse-Effekt 3 (sinkende Geschwindigkeit)			
245 ⇔ 255	Offen			
	12	Zoom	000 ⇔ 255	Vergrößern und verkleinern

14CH
 (Forts.)

Kanal	Funktion	Wert	Prozent/Einstellung
13	Steuerfunktionen	000 ⇔ 009	Keine Funktion
		010 ⇔ 014	Schwenkungs- und Neigungverdunkelung
		015 ⇔ 049	Keine Funktion
		050 ⇔ 054	Schwenkung zurücksetzen
		055 ⇔ 059	Neigung zurücksetzen
		060 ⇔ 064	Zoom zurücksetzen
		065 ⇔ 069	Keine Funktion
		070 ⇔ 074	Alle zurücksetzen
		075 ⇔ 079	Keine Funktion
		080 ⇔ 084	Umgekehrte Schwenkung/Neigung
		085 ⇔ 089	Umgekehrte Schwenkung
		090 ⇔ 094	Umgekehrte Neigung
		095 ⇔ 099	Umgekehrte Schwenkung abbrechen
		100 ⇔ 104	Umgekehrte Neigung abbrechen
		105 ⇔ 109	Umgekehrte Schwenkung/Neigung abbrechen
		110 ⇔ 114	Normale Schwenkungs-/Neigungsgeschwindigkeit
		115 ⇔ 119	Hohe Schwenkungs-/Neigungsgeschwindigkeit
		120 ⇔ 124	Niedrige Schwenkungs-/Neigungsgeschwindigkeit
		125 ⇔ 129	Lüfter (volle Drehzahl)
		130 ⇔ 134	Lüfter (automatisch)
135 ⇔ 139	Dimmer, hohe Geschwindigkeit		
140 ⇔ 144	Dimmer, niedrige Geschwindigkeit		
145 ⇔ 255	Keine Funktion		
14	Bewegungsmakros	000 ⇔ 007	Keine Funktion
		008 ⇔ 023	Makro für automatische Bewegung 1
		024 ⇔ 039	Makro für automatische Bewegung 2
		040 ⇔ 055	Makro für automatische Bewegung 3
		056 ⇔ 071	Makro für automatische Bewegung 4
		072 ⇔ 087	Makro für automatische Bewegung 5
		088 ⇔ 103	Makro für automatische Bewegung 6
		104 ⇔ 119	Makro für automatische Bewegung 7
		120 ⇔ 135	Makro für automatische Bewegung 8
		136 ⇔ 151	Makro für musikgesteuerte Bewegung 1
		152 ⇔ 167	Makro für musikgesteuerte Bewegung 2
		168 ⇔ 183	Makro für musikgesteuerte Bewegung 3
		184 ⇔ 199	Makro für musikgesteuerte Bewegung 4
		200 ⇔ 215	Makro für musikgesteuerte Bewegung 5
		216 ⇔ 231	Makro für musikgesteuerte Bewegung 6
		232 ⇔ 247	Makro für musikgesteuerte Bewegung 7
		248 ⇔ 255	Makro für musikgesteuerte Bewegung 8

Informazioni sulla Guida La Guida Rapida di Intimidator Wash Zoom 450 IRC contiene informazioni di base sul prodotto quali montaggio, opzioni menù e valori DMX. Per maggiori dettagli, scaricare il Manuale Utente dal sito www.chauvetlighting.com

Esclusioni di responsabilità Le informazioni e le specifiche contenute in questa guida possono essere modificate senza preavviso.

GARANZIA LIMITATA PER LA REGISTRAZIONE DELLA GARANZIA ED I TERMINI E CONDIZIONI COMPLETI VISITARE IL NOSTRO SITO WEB.

Per clienti di Stati Uniti e Messico consultare: www.chauvetlighting.com/warranty-registration.

Per clienti di Regno Unito, Repubblica di Irlanda, Belgio, Paesi Bassi, Lussemburgo, Francia e Germania: www.chauvetlighting.eu/warranty-registration.

Chauvet garantisce che i propri prodotti, in condizioni di utilizzo normale, sono esenti da difetti di materiali e manodopera, per il periodo specificato e con le esclusioni e limitazioni riportate nella garanzia integrale limitata sul proprio sito Web. Tale garanzia si applica soltanto all'acquirente originario del prodotto e non può essere trasferita. Per esercitare i propri diritti secondo i termini della presente garanzia è necessario fornire prova dell'acquisto sotto forma di ricevuta o fattura originale di un distributore autorizzato che riporti chiaramente il nome del prodotto e la data di acquisto. NON SONO PREVISTE ALTRE GARANZIE ESPRESSE O IMPLICITE. Questa garanzia prevede diritti legali specifici. È comunque possibile avere altri diritti che variano da stato a stato e da paese a paese. Questa garanzia si applica soltanto negli Stati Uniti, Regno Unito, Repubblica di Irlanda, Belgio, Paesi Bassi, Lussemburgo, Francia, Germania e Messico. Per i termini di garanzia vigenti in altri paesi si prega di consultare il distributore locale.

Note di Sicurezza Le Note di Sicurezza includono informazioni importanti circa il montaggio, l'uso e la manutenzione.



- Collegare questa unità SOLTANTO ad un circuito dotato di messa a terra e protetto.
- Prima di effettuare la pulizia o sostituire il fusibile, scollegare sempre l'unità dall'alimentazione elettrica.
- NON guardare la sorgente luminosa quando l'unità è in funzione.
- Assicurarsi che il cavo di alimentazione non sia piegato o danneggiato.
- Non scollegare mai questa apparecchiatura dall'alimentazione elettrica tirando il cavo.
- Per il montaggio in alto dell'unità utilizzare SEMPRE un cavo di sicurezza.
- NON collocare materiale infiammabile vicino all'unità mentre è in funzione.
- NON toccare l'unità durante il funzionamento perché potrebbe essere molto calda.



- La tensione della presa a muro cui si collega l'apparecchiatura deve trovarsi entro il campo specificato sull'etichetta o sul pannello posteriore.
- Questa apparecchiatura deve essere utilizzata soltanto in interni (IP20)! Per evitare il rischio di incendio o di folgorazione non esporre l'apparecchiatura alla pioggia o all'umidità.
- Montare sempre l'unità in posizione ben ventilata, ad almeno 50 cm. (20") da qualsiasi superficie.
- Assicurarsi che nessuna apertura di ventilazione dell'unità sia ostruita.
- Non collegare mai ad un dimmer o ad un reostato
- Sostituire il fusibile con un altro dello stesso tipo e classe.
- Prendere e trasportare l'unità SOLTANTO dalla staffa per il montaggio sospeso.
- Massima temperatura ambiente ammessa: 40 °C (104 °F). Non utilizzare l'apparecchiatura a temperature superiori.
- In caso di gravi problemi di funzionamento sospendere immediatamente l'utilizzo.
- NON aprire l'unità. Non contiene parti riparabili dall'utente.
- Per evitarne l'eccessiva usura e migliorarne la durata nel tempo, scollegare l'unità dalla presa elettrica o disattivare l'alimentazione tramite l'apposito interruttore, se inutilizzata per lunghi periodi.

Contatti Per richiedere assistenza o restituire l'apparecchiatura, al di fuori di Stati Uniti, Regno Unito, Irlanda, Benelux, Francia, Germania, o Messico contattare il distributore locale. Per informazioni sui contatti, fare riferimento a [Contact Us](#) sul retro di questo GR.

- Che cosa è incluso**
- Intimidator Wash Zoom 450 IRC
 - Cavo di alimentazione
 - Staffa per montaggio sospeso con relativi accessori
 - Guida Rapida

Per iniziare Disimballare Intimidator Wash Zoom 450 IRC ed accertarsi di aver ricevuto tutti i componenti integri. Se l'imballo appare danneggiato, farlo immediatamente presente al trasportatore e non a Chauvet.

Alimentazione CA Questa apparecchiatura è dotata di alimentatore a commutazione automatica con tensione in ingresso di 100~240 V CC - 50/60 Hz.

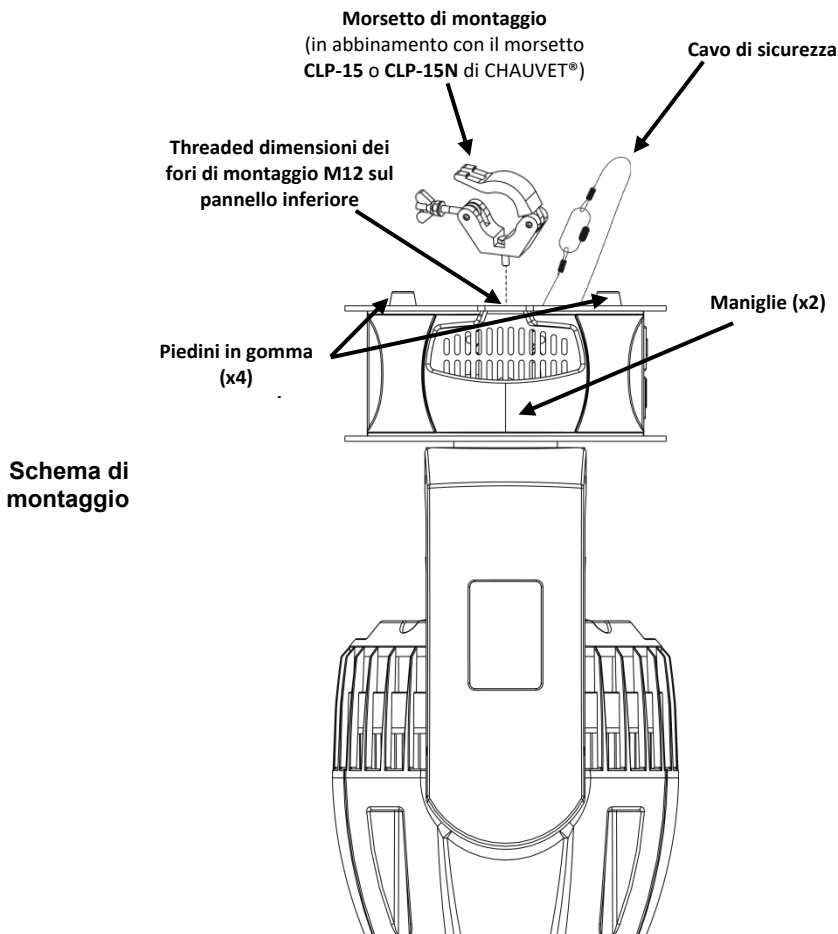
- Sostituzione fusibile**
1. Scollegare l'alimentazione elettrica dall'unità.
 2. Utilizzando un giravite a testa piatta, allentare il portafusibile e tirarlo verso l'esterno.
 3. Rimuovere il fusibile bruciato e sostituirlo con uno identico.
 4. Reinserire il portafusibile e ricollegare l'alimentazione elettrica.

Telecomando a infrarossi 6 (IRC-6) Intimidator Wash Zoom 450 IRC è compatibile con il telecomando a infrarossi 6 (IRC-6) di Chauvet.

Con Intimidator Wash 450 IRC vengono utilizzati i seguenti pulsanti del telecomando:

- <BLACKOUT> - Attiva e disattiva i LED
- <AUTO> - Seleziona la modalità programma automatico (scorrimento)
- <SOUND> - Seleziona la modalità Attivazione sonora
- <STROBE> - Attiva lo strobo (0–20 Hz)
- <SPEED> - Velocità programm automatico rotazione/brandeggio
- <SENSITIVITY> - Seleziona la sensibilità sonora
- <%> - Dimmer LED
- <MANUAL> - Controllo manuale LED Bianco (RGB)
- <FADE/SNAP> - Premere una volta per cambio colore Fade/Premere due volte per Snap
- <R> - Controllo manuale LED Rosso
- <G> - Controllo manuale LED Verde
- - Controllo manuale LED Blu
- <W> - Controllo manuale LED Bianco
- <UV> - Regolazione zoom manuale
- <+> - Aumento
- <-> - Diminuzione
- Da<0> a <9> - Selezione programma automatico in base al numero

Montaggio Prima di montare l'unità, leggere le Note di Sicurezza.



⚠ Quando si utilizza un solo morsetto di montaggio, assicurarsi di utilizzarne uno con prigioniero per evitare che si allenti accidentalmente.

Descrizione del pannello di controllo	Pulsante	Funzione
	<MENU>	Consente di uscire dal menù o dalla funzione corrente.
	<UP>	Consente di spostarsi verso l'alto nell'elenco menù e di aumentare il valore numerico all'interno di una funzione.
	<DOWN>	Consente di spostarsi verso il basso nell'elenco menù e di diminuire il valore numerico all'interno di una funzione.
	<ENTER>	Consente di attivare il menù visualizzato o impostare il valore selezionato nella funzione selezionata.

Opzioni del Menù

Funzioni principali	Livelli di programmazione		Descrizione
Address	001–512		Imposta l'indirizzo DMX iniziale
Run Mode	DMX	14CH	Seleziona la modalità DMX
		29CH	
	Auto	Auto01—Auto16	Seleziona i programmi auto
	Sound		Seleziona la modalità Attivazione sonora
	Slave		Seleziona la modalità Slave
	IR		Seleziona il controllo a infrarossi
Setup	Pan Reverse	OFF	Funzionamento in rotazione normale
		ON	Funzionamento in rotazione inversa
	Tilt Reverse	OFF	Funzionamento in brandeggio normale
		ON	Funzionamento in brandeggio inverso
	Pan Angle	540	Seleziona l'angolo di rotazione di 540°
		360	Seleziona l'angolo di rotazione di 360°
		180	Seleziona l'angolo di rotazione di 180°
	Tilt Angle	270	Seleziona l'angolo di brandeggio di 270°
		180	Seleziona l'angolo di brandeggio di 180°
		90	Seleziona l'angolo di brandeggio di 90°
	P/T Speed	Normal	Seleziona la velocità di rotazione/brandeggio
		Fast	
		Slow	
	Fans	Auto	Seleziona la velocità della ventola in base alla temperatura
		Full	Velocità massima della ventola
	Display	OFF	Disattivazione retroilluminazione del display dopo inattività
		ON	Retroilluminazione del display attiva
	Screen Rev	OFF	Visualizzazione normale
		ON	Visualizzazione inversa
	Dimmer Curve	Square	Seleziona la modalità curva dimmer
I Square			
SCurve			
Linear			
Dimmer Speed	Fast	Seleziona la velocità dimmer	
	Smooth		
Color Balance	RED	Seleziona il bilanciamento colore (da 100 a 255)	
	GREEN		
	BLUE		
	WHITE		
Sensitivity	001—100	Imposta la sensibilità sonora	
Reset		Reimposta l'unità	
Factory Set		Carica le impostazioni standard	
Sys Info	Ver VX		Visualizza la versione del software
	Running Mode XXXXX		Visualizza la modalità di funzionamento corrente
	DMX Address XXX		Visualizza l'indirizzo DMX corrente
	Temperature XXX		Visualizza la temperatura LED in gradi Celsius

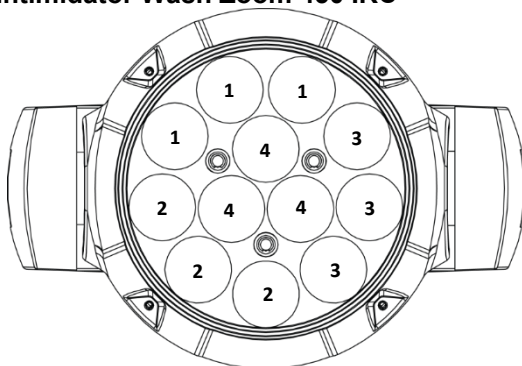
Collegamento DMX Intimidator Wash Zoom 450 IRC può funzionare con un controller DMX quando collegato tramite connessioni seriali DMX. Le istruzioni per il collegamento e la configurazione di questa unità sono contenute nel Manuale Utente. Se non si ha familiarità con il DMX, scaricare DMX Primer all'indirizzo www.chauvetlighting.com.

Indirizzo iniziale Per assicurare il completo accesso a tutti i canali in ciascuna modalità DMX, l'indirizzo maggiormente raccomandato è **484**.

Collegamento Master/Slave In modalità Master/Slave, Intimidator Wash Zoom 450 IRC utilizza il collegamento dati DMX. Le istruzioni per il collegamento e la configurazione di questa unità per il funzionamento Master/Slave sono contenute nel Manuale Utente.

Valori DMX

Zone di controllo Intimidator Wash Zoom 450 IRC



29CH	Canale	Funzione	Valore	Percentuale/Impostazione	
	1	Rotazione	000 ⇔ 255	da 0 a 540°	
	2	Fine Pan	000 ⇔ 255	Controllo fine della rotazione	
	3	Tilt	000 ⇔ 255	da 0 a 270°	
	4	Fine Tilt	000 ⇔ 255	Controllo fine del brandeggio	
	5	Velocità	000 ⇔ 255	Velocità rotazione/brandeggio (da rapida a lenta)	
	6	Rosso	000 ⇔ 255	da 0 a 100%	Zona 1
	7	Verde	000 ⇔ 255	da 0 a 100%	
	8	Blu	000 ⇔ 255	da 0 a 100%	
	9	Bianco	000 ⇔ 255	da 0 a 100%	
	10	Rosso	000 ⇔ 255	da 0 a 100%	Zona 2
	11	Verde	000 ⇔ 255	da 0 a 100%	
	12	Blu	000 ⇔ 255	da 0 a 100%	
	13	Bianco	000 ⇔ 255	da 0 a 100%	Zona 3
	14	Rosso	000 ⇔ 255	da 0 a 100%	
	15	Verde	000 ⇔ 255	da 0 a 100%	
	16	Blu	000 ⇔ 255	da 0 a 100%	
	17	Bianco	000 ⇔ 255	da 0 a 100%	Zona 4
	18	Rosso	000 ⇔ 255	da 0 a 100%	
	19	Verde	000 ⇔ 255	da 0 a 100%	
	20	Blu	000 ⇔ 255	da 0 a 100%	
	21	Bianco	000 ⇔ 255	da 0 a 100%	

29CH
(cont.)

Canale	Funzione	Valore	Percentuale/Impostazione
22	Colori	000 ⇔ 004	Nessuna funzione
		005 ⇔ 009	Colore 1
		010 ⇔ 014	Colore 2
		015 ⇔ 019	Colore 3
		020 ⇔ 024	Colore 4
		025 ⇔ 029	Colore 5
		030 ⇔ 034	Colore 6
		035 ⇔ 039	Colore 7
		040 ⇔ 044	Colore 8
		045 ⇔ 049	Colore 9
		050 ⇔ 054	Colore 10
		055 ⇔ 059	Colore 11
		060 ⇔ 064	Colore 12
		065 ⇔ 069	Colore 13
		070 ⇔ 074	Colore 14
		075 ⇔ 079	Colore 15
		080 ⇔ 084	Colore 16
		085 ⇔ 089	Colore 17
		090 ⇔ 094	Colore 18
		095 ⇔ 099	Colore 19
		100 ⇔ 104	Colore 20
		105 ⇔ 109	Colore 21
		110 ⇔ 114	Colore 22
		115 ⇔ 119	Colore 23
		120 ⇔ 124	Colore 24
		125 ⇔ 129	Colore 25
		130 ⇔ 134	Colore 26
		135 ⇔ 139	Colore 27
		140 ⇔ 144	Colore 28
		145 ⇔ 149	Colore 29
		150 ⇔ 154	Colore 30
		155 ⇔ 159	Colore 31
		160 ⇔ 164	Colore 32
		165 ⇔ 169	Colore 33
170 ⇔ 174	Colore 34		
175 ⇔ 179	Nessuna funzione		
180 ⇔ 201	Cambio colore in senso orario (da veloce a lento)		
202 ⇔ 207	Interruzione (il colore rimane quello corrente)		
208 ⇔ 229	Cambio colore in senso antiorario (da lento a veloce)		
230 ⇔ 234	Nessuna funzione		
235 ⇔ 249	Salto colore (da veloce a lento)		
250 ⇔ 255	Colori ad Attivazione sonora		

29CH (cont.)	Canale	Funzione	Valore	Percentuale/Impostazione
23	Controllo integrato	000 ⇔ 015	Nessuna funzione	
		016 ⇔ 031	Zona macro 1	
		032 ⇔ 047	Zona macro 2	
		048 ⇔ 063	Zona macro 3	
		064 ⇔ 079	Zona macro 4	
		080 ⇔ 095	Zona macro 5	
		096 ⇔ 111	Zona macro 6	
		112 ⇔ 127	Integrata 7 (zona macro 1—6)	
		128 ⇔ 143	Automatico 1 integrato	
		144 ⇔ 159	Automatico 2 integrato	
		160 ⇔ 175	Automatico 3 integrato	
		176 ⇔ 191	Automatico 4 integrato	
		192 ⇔ 207	Automatico 5 integrato	
		208 ⇔ 223	Automatico 6 integrato	
		224 ⇔ 239	Automatico 7 integrato	
240 ⇔ 255	Automatico 8 integrato (automatico integrato 1—7)			
24	Velocità integrata	000 ⇔ 255	Zone e velocità integrata (da lenta a veloce)	
25	Dimmer	000 ⇔ 255	da 0 a 100%	
26	Otturatore	000 ⇔ 019	Chiuso	
		020 ⇔ 024	Aperto	
		025 ⇔ 064	Effetto strobo (velocità decrescente)	
		065 ⇔ 069	Aperto	
		070 ⇔ 084	Veloce on, lento off (velocità decrescente)	
		085 ⇔ 089	Aperto	
		090 ⇔ 104	Lento on, veloce off (velocità crescente)	
		105 ⇔ 109	Aperto	
		110 ⇔ 124	Otturatore casuale (velocità decrescente)	
		125 ⇔ 129	Aperto	
		130 ⇔ 144	Veloce casuale on, lento off (velocità decrescente)	
		145 ⇔ 149	Aperto	
		150 ⇔ 164	Lento casuale on, veloce off (velocità decrescente)	
		165 ⇔ 169	Aperto	
		170 ⇔ 184	Effetto impulso 1 (velocità decrescente)	
		185 ⇔ 189	Aperto	
		190 ⇔ 204	Effetto impulso 2 (velocità decrescente)	
		205 ⇔ 209	Aperto	
210 ⇔ 224	Gradualmente on e off (velocità decrescente)			
225 ⇔ 229	Aperto			
230 ⇔ 244	Effetto impulso 3 (velocità decrescente)			
245 ⇔ 255	Aperto			
27	Zoom	000 ⇔ 255	Zoom avanti e indietro	

29CH
(cont.)

Canale	Funzione	Valore	Percentuale/Impostazione
28	Funzioni di controllo	000 ⇔ 009	Nessuna funzione
		010 ⇔ 014	Oscuramento durante rotazione/brandeggio
		015 ⇔ 049	Nessuna funzione
		050 ⇔ 054	Reimpostazione rotazione
		055 ⇔ 059	Reimpostazione brandeggio
		060 ⇔ 064	Reimpostazione zoom
		065 ⇔ 069	Nessuna funzione
		070 ⇔ 074	Reimpostazione generale
		075 ⇔ 079	Nessuna funzione
		080 ⇔ 084	Inversione rotazione/brandeggio
		085 ⇔ 089	Inversione rotazione
		090 ⇔ 094	Brandeggio inverso
		095 ⇔ 099	Annulla inversione rotazione
		100 ⇔ 104	Annulla brandeggio inverso
		105 ⇔ 109	Annulla inversione rotazione/brandeggio
		110 ⇔ 114	Velocità normale rotazione/brandeggio
		115 ⇔ 119	Rotazione/brandeggio veloci
		120 ⇔ 124	Rotazione/brandeggio lenti
		125 ⇔ 129	Ventola (massima velocità)
		130 ⇔ 134	Ventola (automatica)
135 ⇔ 139	Dimmer, veloce		
140 ⇔ 144	Dimmer, morbido		
145 ⇔ 255	Nessuna funzione		
29	Macro di movimento	000 ⇔ 007	Nessuna funzione
		008 ⇔ 023	Macro 1 movimento automatico
		024 ⇔ 039	Macro 2 movimento automatico
		040 ⇔ 055	Macro 3 movimento automatico
		056 ⇔ 071	Macro 4 movimento automatico
		072 ⇔ 087	Macro 5 movimento automatico
		088 ⇔ 103	Macro 6 movimento automatico
		104 ⇔ 119	Macro 7 movimento automatico
		120 ⇔ 135	Macro 8 movimento automatico
		136 ⇔ 151	Macro 1 movimento ad attivazione sonora
		152 ⇔ 167	Macro 2 movimento ad attivazione sonora
		168 ⇔ 183	Macro 3 movimento ad attivazione sonora
		184 ⇔ 199	Macro 4 movimento ad attivazione sonora
		200 ⇔ 215	Macro 5 movimento ad attivazione sonora
		216 ⇔ 231	Macro 6 movimento ad attivazione sonora
		232 ⇔ 247	Macro 7 movimento ad attivazione sonora
		248 ⇔ 255	Macro 8 movimento ad attivazione sonora

14CH	Canale	Funzione	Valore	Percentuale/Impostazione
	1	Rotazione	000 ⇔ 255	0 a 540°
	2	Tilt	000 ⇔ 255	0 a 270°
	3	Velocità	000 ⇔ 255	Rotazione/brandeggio (da veloce a lento)
	4	Rosso	000 ⇔ 255	da 0 a 100%
	5	Verde	000 ⇔ 255	da 0 a 100%
	6	Blu	000 ⇔ 255	da 0 a 100%
	7	Bianco	000 ⇔ 255	da 0 a 100%
	8	Controllo integrato	000 ⇔ 015	Nessuna funzione
			016 ⇔ 031	Zona macro 1
			032 ⇔ 047	Zona macro 2
			048 ⇔ 063	Zona macro 3
			064 ⇔ 079	Zona macro 4
			080 ⇔ 095	Zona macro 5
			096 ⇔ 111	Zona macro 6
			112 ⇔ 127	Integrata 7 (zona macro 1—6)
			128 ⇔ 143	Automatico 1 integrato
			144 ⇔ 159	Automatico 2 integrato
			160 ⇔ 175	Automatico 3 integrato
			176 ⇔ 191	Automatico 4 integrato
			192 ⇔ 207	Automatico 5 integrato
	208 ⇔ 223	Automatico 6 integrato		
	224 ⇔ 239	Automatico 7 integrato		
	240 ⇔ 255	Automatico 8 integrato (automatico integrato 1—7)		
	9	Velocità integrata	000 ⇔ 255	Zone e velocità integrata (da lenta a veloce)
	10	Dimmer	000 ⇔ 255	da 0 a 100%
	11	Otturatore	000 ⇔ 019	Chiuso
			020 ⇔ 024	Aperto
			025 ⇔ 064	Effetto strobo (velocità decrescente)
			065 ⇔ 069	Aperto
			070 ⇔ 084	Veloce on, lento off (velocità decrescente)
			085 ⇔ 089	Aperto
			090 ⇔ 104	Lento on, veloce off (velocità crescente)
			105 ⇔ 109	Aperto
			110 ⇔ 124	Otturatore casuale (velocità decrescente)
			125 ⇔ 129	Aperto
			130 ⇔ 144	Veloce casuale on, lento off (velocità decrescente)
			145 ⇔ 149	Aperto
			150 ⇔ 164	Lento casuale on, veloce off (velocità decrescente)
			165 ⇔ 169	Aperto
			170 ⇔ 184	Effetto impulso 1 (velocità decrescente)
			185 ⇔ 189	Aperto
			190 ⇔ 204	Effetto impulso 2 (velocità decrescente)
			205 ⇔ 209	Aperto
			210 ⇔ 224	Gradualmente on e off (velocità decrescente)
			225 ⇔ 229	Aperto
	230 ⇔ 244	Effetto impulso 3 (velocità decrescente)		
	245 ⇔ 255	Aperto		
	12	Zoom	000 ⇔ 255	Zoom avanti e indietro

14CH (cont.)	Canale	Funzione	Valore	Percentuale/Impostazione
13	13	Funzioni di controllo	000 ⇔ 009	Nessuna funzione
			010 ⇔ 014	Interruzione rotazione/brandeggio
			015 ⇔ 049	Nessuna funzione
			050 ⇔ 054	Reimpostazione rotazione
			055 ⇔ 059	Reimpostazione brandeggio
			060 ⇔ 064	Reimpostazione zoom
			065 ⇔ 069	Nessuna funzione
			070 ⇔ 074	Reimpostazione generale
			075 ⇔ 079	Nessuna funzione
			080 ⇔ 084	Inversione rotazione/brandeggio
			085 ⇔ 089	Inversione rotazione
			090 ⇔ 094	Brandeggio inverso
			095 ⇔ 099	Annulla inversione rotazione
			100 ⇔ 104	Annulla brandeggio inverso
			105 ⇔ 109	Annulla inversione rotazione/brandeggio
			110 ⇔ 114	Velocità normale rotazione/brandeggio
			115 ⇔ 119	Rotazione/brandeggio veloci
			120 ⇔ 124	Rotazione/brandeggio lenti
			125 ⇔ 129	Ventola (massima velocità)
			130 ⇔ 134	Ventola (automatica)
135 ⇔ 139	Dimmer, veloce			
140 ⇔ 144	Dimmer, morbido			
145 ⇔ 255	Nessuna funzione			
14	14	Macro di movimento	000 ⇔ 007	Nessuna funzione
			008 ⇔ 023	Macro 1 movimento automatico
			024 ⇔ 039	Macro 2 movimento automatico
			040 ⇔ 055	Macro 3 movimento automatico
			056 ⇔ 071	Macro 4 movimento automatico
			072 ⇔ 087	Macro 5 movimento automatico
			088 ⇔ 103	Macro 6 movimento automatico
			104 ⇔ 119	Macro 7 movimento automatico
			120 ⇔ 135	Macro 8 movimento automatico
			136 ⇔ 151	Macro 1 movimento ad attivazione sonora
			152 ⇔ 167	Macro 2 movimento ad attivazione sonora
			168 ⇔ 183	Macro 3 movimento ad attivazione sonora
			184 ⇔ 199	Macro 4 movimento ad attivazione sonora
			200 ⇔ 215	Macro 5 movimento ad attivazione sonora
			216 ⇔ 231	Macro 6 movimento ad attivazione sonora
			232 ⇔ 247	Macro 7 movimento ad attivazione sonora
			248 ⇔ 255	Macro 8 movimento ad attivazione sonora

Over Deze Handleiding De Intimidator Wash Zoom 450 IRC Beknopte Handleiding (BH) bevat basisinformatie over het product, zoals montage, menu-opties en DMX-waarden. Download de User Manual van www.chauvetlighting.com voor meer details.

Disclaimer De informatie en specificaties in deze BH kunnen zonder voorafgaande kennisgeving worden gewijzigd.

BEPERKTE GARANTIE GA NAAR ONZE WEBSITE VOOR REGISTRATIE VAN DE GARANTIE EN DE VOLLEDIGE ALGEMENE VOORWAARDEN.

Voor klanten in de Verenigde Staten en Mexico: www.chauvetlighting.com/warranty-registration.

Voor klanten in het Verenigd Koninkrijk, Ierland, België, Nederland, Luxemburg, Frankrijk en Duitsland: www.chauvetlighting.eu/warranty-registration.

Chauvet garandeert dat dit product bij normaal gebruik vrij zal blijven van defecten in materiaal en vakmanschap, voor de opgegeven periode en onder voorbehoud van de uitzonderingen en beperkingen die zijn uiteengezet in de volledige beperkte garantie op onze website. Deze garantie geldt uitsluitend voor de oorspronkelijke koper van het product en is niet overdraagbaar. Om onder deze garantie rechten uit te oefenen, moet u een aankoopbewijs overleggen in de vorm van een origineel verkoopbewijs van een geautoriseerde dealer, waarop de naam van het product en de aankoopdatum zichtbaar zijn. ER ZIJN GEEN ANDERE EXPLICIETE OF IMPLICIETE GARANTIES. Deze garantie geeft u specifieke wettelijke rechten. Mogelijk heeft u ook andere rechten die van staat tot staat en van land tot land verschillen. Deze garantie is uitsluitend geldig in de Verenigde Staten, het Verenigd Koninkrijk, Ierland, België, Nederland, Luxemburg, Frankrijk, Duitsland en Mexico. Neem contact op met uw lokale verkoper voor garantievoorwaarden in andere landen.

Veiligheidsinstructies Deze veiligheidsinstructies bevatten belangrijke informatie over de installatie, het gebruik en het onderhoud.



- Sluit dit product UITSLUITEND op een geaard en beveiligd circuit.
- Haal voor het vervangen van de zekering altijd de stekker van het product uit het stopcontact.
- KIJK NIET in de lichtbron wanneer het apparaat is ingeschakeld.
- Zorg ervoor dat de stroomkabel niet gesmolten of beschadigd is.
- Ontkoppel het product nooit van het stopcontact door aan het snoer te trekken.
- Gebruik een veiligheidskabel wanneer het product boven lichaamshoogte wordt gemonteerd.
- GEEN brandbare materialen in de buurt van de unit tijdens gebruik.
- RAAK het product NIET AAN wanneer het in werking omdat het dan heet zijn.



- De spanning van het stopcontact waarop u dit product aansluit moet binnen het vermelde bereik op de sticker of achterkant van het product zijn.
- Het product is alleen voor gebruik binnenshuis! (IP20) Om risico op brand of elektrische schokken te voorkomen, mag dit product niet aan regen of vocht worden blootgesteld.
- Monteer dit product altijd op een plek met voldoende ventilatie, minstens 20 inch (50 cm) van de aangrenzende oppervlakken.
- Zorg ervoor dat er geen ventilatie-openingen van de behuizing van het product worden geblokkeerd.
- Sluit dit product nooit aan op een dimmer of een regelweerstand.
- Vervang de zekering met een van hetzelfde type en met dezelfde waarde.
- Gebruik UITSLUITEND de ophang-/montagebeugel om dit product te dragen.
- De maximale omgevingstemperatuur bedraagt 104° F (40° C). Gebruik dit product niet bij hogere temperaturen.
- Stop in het geval van ernstige operationele problemen onmiddellijk met het gebruik.
- Open het product NIET. Het bevat geen te onderhouden onderdelen.
- Om onnodige slijtage te voorkomen en de levensduur te verengen, dient u tijdens stilstand het product volledig loskoppelen van de stroom d.m.v. stroomschakelaar of de stekker te ontkoppelen.

Contact Van buiten de VS, Verenigd Koninkrijk, Ierland, Benelux, Frankrijk, Duitsland of Mexico kunt u contact opnemen met de distributeur of om ondersteuning vragen dan wel het product retourneren. Raadpleeg [Contact Us](#) aan het einde van deze BH voor contactinformatie.

- Wat is inbegrepen**
- Intimidator Wash Zoom 450 IRC
 - Hangbeugel met bevestigingsapparatuur
 - Stroomsnoer
 - Beknopte handleiding

Om Te Beginnen Pak de Intimidator Wash Zoom 450 IRC uit en verzeker dat u alle onderdelen in goede staat hebt ontvangen. Als de doos of de inhoud beschadigd lijkt, meldt het onmiddellijk aan de bezorger, niet aan Chauvet.

AC Power Dit product heeft een auto-bereik voeding die kan werken met een ingangsspanning van 100 tot 240 VAC, 50/60 Hz.

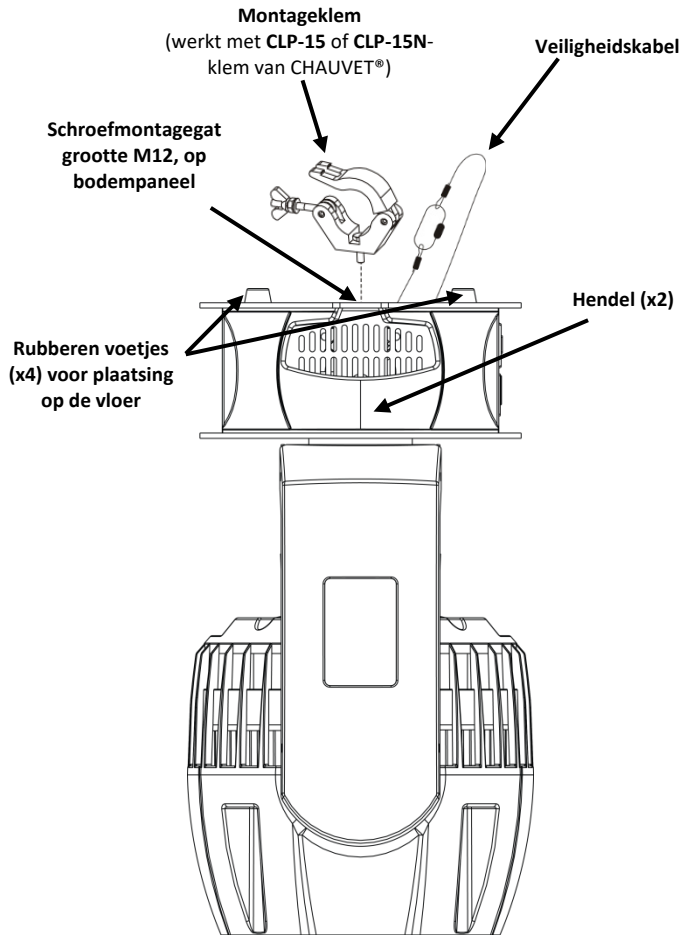
- Zekering Vervangen**
1. Ontkoppel het apparaat van de stroom.
 2. Met behulp van een platte schroevendraaier, schroef de zekeringhouder los en trek deze er recht uit.
 3. Verwijder de defecte zekering en vervang deze door een goede zekering van hetzelfde type.
 4. Breng de zekeringhouder opnieuw in en zet het apparaat weer aan.

Infrarood afstandbediening (IRC-6) De Intimidator Wash Zoom 450 IRC is volledig compatibel met de infrarood afstandsbediening 6 (IRC-6) van Chauvet.

De volgende IRC-6-toetsen worden gebruikt met de Intimidator Wash 450 IRC:

- <BLACKOUT> - schakelt led aan/uit
- <AUTO> - selecteert automatische programmeringsmodus (bladeren)
- <SOUND> - selecteert geluidsactieve modus
- <STROBE> - stroboscoop (0–20 Hz)
- <SPEED> - automatische programmeersnelheid van zwenken/kantelen
- <SENSITIVITY> - selecteert de geluidsgevoeligheid
- <%> - LED-dimmer
- <MANUAL> - witte (RGB) LED handmatige bediening
- <FADE/SNAP> - Druk eenmaal op Fadekleurwijziging/Druk tweemaal voor Snap
- <R> - rode LED handmatige bediening
- <G> - groene LED handmatige bediening
- - blauwe LED handmatige bediening
- <W> - witte LED handmatige bediening
- <UV> - zoom handmatige bediening
- <+> - Verhogen
- <-> - Verlagen
- <0> tot <9> - Selecteer automatisch programma op nummer

Montage Voordat u dit product monteert, lees eerst de Veiligheidsvoorschriften.



Montagediagram



Als slechts één montageklem wordt gebruikt, moet een klem met een borgbout gebruikt worden, om onopzettelijk loskomen te vermijden.

Configuratiescherm Beschrijving

Toets	Functie
<MENU>	Uitgangen van het huidige menu of functie
<UP>	Navigeert omhoog via het menu of verhoogt de numerieke waarde bij een functie
<DOWN>	Navigeert omlaag via het menu of verlaagt de numerieke waarde bij een functie
<ENTER>	Activeert het huidige getoonde menu of plaatst de huidige geselecteerde waarde in de geselecteerde functie

Menu opties

Hoofdfuncctie	Programmeerniveaus		Beschrijving
Address	001–512		Stelt het DMX-startadres in
Run Mode	DMX	14CH	Selecteert de DMX-modus
		29CH	
	Auto	Auto01—Auto16	Selecteert automatisch programma
	Sound		Selecteert geluidsactieve modus
	Slave		Selecteert de Slave-modus
	IR		Selecteert infrarode bediening
Setup	Pan Reverse	OFF	Normale zwenkbediening
		ON	Omgekeerde zwenkbediening
	Tilt Reverse	OFF	Normale kantelbediening
		ON	Omgekeerde kantelbediening
	Pan Angle	540	Selecteert het 540° zwenkhoekbereik
		360	Selecteert het 360° zwenkhoekbereik
		180	Selecteert het 180° zwenkhoekbereik
	Tilt Angle	270	Selecteert het 270° kantelhoekbereik
		180	Selecteert het 180° kantelhoekbereik
		90	Selecteert het 90° kantelhoekbereik
	P/T Speed	Normal	Selecteert de zwenk/kantelsnelheid
		Fast	
		Slow	
	Fans	Auto	Stelt de ventilatorsnelheid is, volgens de temperatuur
		Full	Ventilatorsnelheid ingesteld naar volledige snelheid
	Display	OFF	Achtergrondverlichting van de display schakelt uit na inactiviteit
		ON	Achtergrondverlichting van de display blijft aan
	Screen Rev	OFF	Normale weergave
		ON	Omgekeerde weergave
	Dimmer Curve	Square	Selecteert de dimmercurvemodus
I Square			
SCurve			
Linear			
Dimmer Speed	Fast	Selecteert de dimmersnelheid	
	Smooth		
Color Balance	RED	Selecteert kleurenbalans (100 tot 255)	
	GREEN		
	BLUE		
	WHITE		
Sensitivity	001—100	Stelt de geluidsgevoeligheid in	
Reset		Herstelt het product	
Factory Set		Laadt de fabrieksinstellingen	
Sys Info	Ver VX		Toont de softwareversie
	Running Mode XXXXX		Toont de huidige bedrijfsmodus
	DMX Address XXX		Toont het huidige DMX-adres
	Temperature XXX		Toont de LED-temperatuur in Celsius

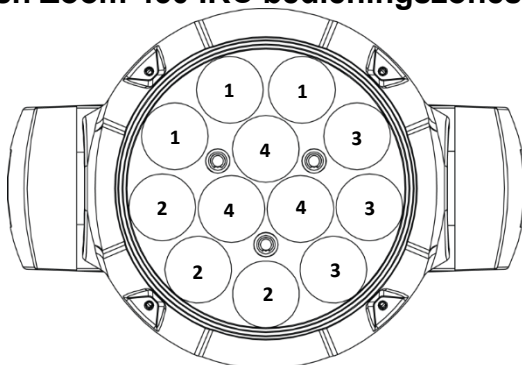
DMX Linking De Intimidator Wash Zoom 450 IRC werkt met een DMX-controller indien gekoppeld door seriële DMX-verbindingen. Instructies voor het aansluiten en configureren van dit product voor DMX werking staan in de gebruikershandleiding. Als u niet bekend bent met DMX, download dan de DMX Primer van www.chauvetlighting.com.

Startadres Om volledige toegang tot alle kanalen in elke DMX-modus te garanderen is het hoogste aanbevolen DMX-adres voor dit product **484**.

Master/Slave Verbinding De Intimidator Wash Zoom 450 IRC maakt gebruik van de DMX-dataverbinding voor zijn master/slave stand Instructies voor het aansluiten en configureren van dit product voor master/slave werking staan in de gebruikershandleiding.

DMX-waarden

Intimidator Wash Zoom 450 IRC bedieningszones



29CH	Kanaal	Functie	Waarde	Percentage/instelling
	1	Zwenken	000 ⇔ 255	0 tot 540°
	2	Fijn zwenken	000 ⇔ 255	Fijne bediening van zwenken
	3	Kantelen	000 ⇔ 255	0 tot 270°
	4	Fijn kantelen	000 ⇔ 255	Fijne bediening van kantelen
	5	Snelheid	000 ⇔ 255	Zwenk-/kantelsnelheid (snel tot langzaam)
	6	Rood	000 ⇔ 255	0 tot 100%
	7	Groen	000 ⇔ 255	0 tot 100%
	8	Blauw	000 ⇔ 255	0 tot 100%
	9	Wit	000 ⇔ 255	0 tot 100%
	10	Rood	000 ⇔ 255	0 tot 100%
	11	Groen	000 ⇔ 255	0 tot 100%
	12	Blauw	000 ⇔ 255	0 tot 100%
	13	Wit	000 ⇔ 255	0 tot 100%
	14	Rood	000 ⇔ 255	0 tot 100%
	15	Groen	000 ⇔ 255	0 tot 100%
	16	Blauw	000 ⇔ 255	0 tot 100%
	17	Wit	000 ⇔ 255	0 tot 100%
	18	Rood	000 ⇔ 255	0 tot 100%
	19	Groen	000 ⇔ 255	0 tot 100%
	20	Blauw	000 ⇔ 255	0 tot 100%
	21	Wit	000 ⇔ 255	0 tot 100%

29CH
 (vervolg)

Kanaal	Functie	Waarde	Percentage/instelling
22	Colors	000 ⇔ 004	Geen functie
		005 ⇔ 009	Kleur 1
		010 ⇔ 014	Kleur 2
		015 ⇔ 019	Kleur 3
		020 ⇔ 024	Kleur 4
		025 ⇔ 029	Kleur 5
		030 ⇔ 034	Kleur 6
		035 ⇔ 039	Kleur 7
		040 ⇔ 044	Kleur 8
		045 ⇔ 049	Kleur 9
		050 ⇔ 054	Kleur 10
		055 ⇔ 059	Kleur 11
		060 ⇔ 064	Kleur 12
		065 ⇔ 069	Kleur 13
		070 ⇔ 074	Kleur 14
		075 ⇔ 079	Kleur 15
		080 ⇔ 084	Kleur 16
		085 ⇔ 089	Kleur 17
		090 ⇔ 094	Kleur 18
		095 ⇔ 099	Kleur 19
		100 ⇔ 104	Kleur 20
		105 ⇔ 109	Kleur 21
		110 ⇔ 114	Kleur 22
		115 ⇔ 119	Kleur 23
		120 ⇔ 124	Kleur 24
		125 ⇔ 129	Kleur 25
		130 ⇔ 134	Kleur 26
		135 ⇔ 139	Kleur 27
		140 ⇔ 144	Kleur 28
		145 ⇔ 149	Kleur 29
		150 ⇔ 154	Kleur 30
		155 ⇔ 159	Kleur 31
		160 ⇔ 164	Kleur 32
		165 ⇔ 169	Kleur 33
170 ⇔ 174	Kleur 34		
175 ⇔ 179	Geen functie		
180 ⇔ 201	Kleurwijziging met de klok mee (snel tot langzaam)		
202 ⇔ 207	Stop (kleur blijft op de huidige kleur)		
208 ⇔ 229	Kleurwijziging tegen de klok in (langzaam tot snel)		
230 ⇔ 234	Geen functie		
235 ⇔ 249	Kleursprong (snel tot langzaam)		
250 ⇔ 255	Geluidactieve kleuren		

29CH (vervolg)	Kanaal	Functie	Waarde	Percentage/instelling
23	Ingebouwde bediening	000 ⇔ 015	Geen functie	
		016 ⇔ 031	Zone macro 1	
		032 ⇔ 047	Zone macro 2	
		048 ⇔ 063	Zone macro 3	
		064 ⇔ 079	Zone macro 4	
		080 ⇔ 095	Zone macro 5	
		096 ⇔ 111	Zone macro 6	
		112 ⇔ 127	Ingebouwd 7 (zone macro's 1—6)	
		128 ⇔ 143	Ingebouwd auto 1	
		144 ⇔ 159	Ingebouwd auto 2	
		160 ⇔ 175	Ingebouwd auto 3	
		176 ⇔ 191	Ingebouwd auto 4	
		192 ⇔ 207	Ingebouwd auto 5	
		208 ⇔ 223	Ingebouwd auto 6	
		224 ⇔ 239	Ingebouwd auto 7	
		240 ⇔ 255	Ingebouwd 8 (ingebouwd auto 1—7)	
24	Ingebouwde snelheid	000 ⇔ 255	Zones en ingebouwde automatische snelheid (langzaam tot snel)	
25	Dimmer	000 ⇔ 255	0 tot 100%	
26	Sluiter	000 ⇔ 019	Gesloten	
		020 ⇔ 024	Open	
		025 ⇔ 064	Stroboscoopeffect (afnemende snelheid)	
		065 ⇔ 069	Open	
		070 ⇔ 084	Snel aan, langzaam uit (afnemende snelheid)	
		085 ⇔ 089	Open	
		090 ⇔ 104	Langzaam aan, snel uit (toenemende snelheid)	
		105 ⇔ 109	Open	
		110 ⇔ 124	Willekeurige sluiters (afnemende snelheid)	
		125 ⇔ 129	Open	
		130 ⇔ 144	Willekeurig snel aan, langzaam uit (afnemende snelheid)	
		145 ⇔ 149	Open	
		150 ⇔ 164	Willekeurig langzaam aan, snel uit (toenemende snelheid)	
		165 ⇔ 169	Open	
		170 ⇔ 184	Pulseffect 1 (afnemende snelheid)	
		185 ⇔ 189	Open	
		190 ⇔ 204	Pulseffect 2 (afnemende snelheid)	
		205 ⇔ 209	Open	
		210 ⇔ 224	Geleidelijk aan en uit (toenemende snelheid)	
		225 ⇔ 229	Open	
230 ⇔ 244	Pulseffect 3 (afnemende snelheid)			
245 ⇔ 255	Open			
27	Zoom	000 ⇔ 255	In- en uitzoomen	

29CH (vervolg)	Kanaal	Functie	Waarde	Percentage/instelling
	28	Bedieningsfuncties	000 ⇔ 009	Geen functie
			010 ⇔ 014	Verduistering tijdens zwenken/kantelen
			015 ⇔ 049	Geen functie
			050 ⇔ 054	Zwenken herstellen
			055 ⇔ 059	Kantelen herstellen
			060 ⇔ 064	Zoomen herstellen
			065 ⇔ 069	Geen functie
			070 ⇔ 074	Alles herstellen
			075 ⇔ 079	Geen functie
			080 ⇔ 084	Omgekeerd zwenken/kantelen
			085 ⇔ 089	Omgekeerd zwenken
			090 ⇔ 094	Omgekeerd kantelen
			095 ⇔ 099	Omgekeerd zwenken annuleren
			100 ⇔ 104	Omgekeerd kantelen annuleren
			105 ⇔ 109	Omgekeerd zwenken/kantelen annuleren
			110 ⇔ 114	Zwenken/kantelen normale snelheid
			115 ⇔ 119	Zwenken/kantelen hoge snelheid
			120 ⇔ 124	Zwenken/kantelen lage snelheid
			125 ⇔ 129	Ventilator (volle snelheid)
			130 ⇔ 134	Ventilator (auto)
			135 ⇔ 139	Dimmer, snel
140 ⇔ 144	Dimmer, soepel			
145 ⇔ 255	Geen functie			
	29	Bewegingsmacro's	000 ⇔ 007	Geen functie
			008 ⇔ 023	Automatische bewegingsmacro 1
			024 ⇔ 039	Automatische bewegingsmacro 2
			040 ⇔ 055	Automatische bewegingsmacro 3
			056 ⇔ 071	Automatische bewegingsmacro 4
			072 ⇔ 087	Automatische bewegingsmacro 5
			088 ⇔ 103	Automatische bewegingsmacro 6
			104 ⇔ 119	Automatische bewegingsmacro 7
			120 ⇔ 135	Automatische bewegingsmacro 8
			136 ⇔ 151	Geluidsactieve bewegingsmacro 1
			152 ⇔ 167	Geluidsactieve bewegingsmacro 2
			168 ⇔ 183	Geluidsactieve bewegingsmacro 3
			184 ⇔ 199	Geluidsactieve bewegingsmacro 4
			200 ⇔ 215	Geluidsactieve bewegingsmacro 5
			216 ⇔ 231	Geluidsactieve bewegingsmacro 6
			232 ⇔ 247	Geluidsactieve bewegingsmacro 7
			248 ⇔ 255	Geluidsactieve bewegingsmacro 8

14CH	Kanaal	Functie	Waarde	Percentage/instelling
	1	Zwenken	000 ⇔ 255	0 tot 540°
	2	Kantelen	000 ⇔ 255	0 tot 270°
	3	Snelheid	000 ⇔ 255	Zwenken/kantelen (snel tot langzaam)
	4	Rood	000 ⇔ 255	0 tot 100%
	5	Groen	000 ⇔ 255	0 tot 100%
	6	Blauw	000 ⇔ 255	0 tot 100%
	7	Wit	000 ⇔ 255	0 tot 100%
	8	Ingebouwde bediening	000 ⇔ 015	Geen functie
			016 ⇔ 031	Zone macro 1
			032 ⇔ 047	Zone macro 2
			048 ⇔ 063	Zone macro 3
			064 ⇔ 079	Zone macro 4
			080 ⇔ 095	Zone macro 5
			096 ⇔ 111	Zone macro 6
			112 ⇔ 127	Ingebouwd 7 (zone macro's 1—6)
			128 ⇔ 143	Ingebouwd auto 1
			144 ⇔ 159	Ingebouwd auto 2
			160 ⇔ 175	Ingebouwd auto 3
			176 ⇔ 191	Ingebouwd auto 4
			192 ⇔ 207	Ingebouwd auto 5
	208 ⇔ 223	Ingebouwd auto 6		
	224 ⇔ 239	Ingebouwd auto 7		
	240 ⇔ 255	Ingebouwd 8 (ingebouwd auto 1—7)		
	9	Ingebouwde snelheid	000 ⇔ 255	Zones en ingebouwde automatische snelheid (langzaam tot snel)
	10	Dimmer	000 ⇔ 255	0 tot 100%

14CH (vervolg)	Kanaal	Functie	Waarde	Percentage/instelling
11	11	Sluiter	000 ⇔ 019	Gesloten
			020 ⇔ 024	Open
			025 ⇔ 064	Stroboscoopeffect (afnemende snelheid)
			065 ⇔ 069	Open
			070 ⇔ 084	Snel aan, langzaam uit (afnemende snelheid)
			085 ⇔ 089	Open
			090 ⇔ 104	Langzaam aan, snel uit (toenemende snelheid)
			105 ⇔ 109	Open
			110 ⇔ 124	Willekeurige sluitersnelheid (afnemende snelheid)
			125 ⇔ 129	Open
			130 ⇔ 144	Willekeurig snel aan, langzaam uit (afnemende snelheid)
			145 ⇔ 149	Open
			150 ⇔ 164	Willekeurig langzaam aan, snel uit (toenemende snelheid)
			165 ⇔ 169	Open
			170 ⇔ 184	Pulseffect 1 (afnemende snelheid)
			185 ⇔ 189	Open
			190 ⇔ 204	Pulseffect 2 (afnemende snelheid)
205 ⇔ 209	Open			
210 ⇔ 224	Geleidelijk aan en uit (toenemende snelheid)			
225 ⇔ 229	Open			
230 ⇔ 244	Pulseffect 3 (afnemende snelheid)			
245 ⇔ 255	Open			
12	12	Zoom	000 ⇔ 255	In- en uitzoomen

14CH (vervolg)	Kanaal	Functie	Waarde	Percentage/instelling
13		Bedieningsfuncties	000 ⇔ 009	Geen functie
			010 ⇔ 014	Zwenk-/kantelverduistering
			015 ⇔ 049	Geen functie
			050 ⇔ 054	Zwenken herstellen
			055 ⇔ 059	Kantelen herstellen
			060 ⇔ 064	Zoomen herstellen
			065 ⇔ 069	Geen functie
			070 ⇔ 074	Alles herstellen
			075 ⇔ 079	Geen functie
			080 ⇔ 084	Omgekeerd zwenken/kantelen
			085 ⇔ 089	Omgekeerd zwenken
			090 ⇔ 094	Omgekeerd kantelen
			095 ⇔ 099	Omgekeerd zwenken annuleren
			100 ⇔ 104	Omgekeerd kantelen annuleren
			105 ⇔ 109	Omgekeerd zwenken/kantelen annuleren
			110 ⇔ 114	Zwenken/kantelen normale snelheid
			115 ⇔ 119	Zwenken/kantelen hoge snelheid
			120 ⇔ 124	Zwenken/kantelen lage snelheid
			125 ⇔ 129	Ventilator (volle snelheid)
			130 ⇔ 134	Ventilator (auto)
135 ⇔ 139	Dimmer, snel			
140 ⇔ 144	Dimmer, soepel			
145 ⇔ 255	Geen functie			
14		Bewegingsmacro's	000 ⇔ 007	Geen functie
			008 ⇔ 023	Automatische bewegingsmacro 1
			024 ⇔ 039	Automatische bewegingsmacro 2
			040 ⇔ 055	Automatische bewegingsmacro 3
			056 ⇔ 071	Automatische bewegingsmacro 4
			072 ⇔ 087	Automatische bewegingsmacro 5
			088 ⇔ 103	Automatische bewegingsmacro 6
			104 ⇔ 119	Automatische bewegingsmacro 7
			120 ⇔ 135	Automatische bewegingsmacro 8
			136 ⇔ 151	Geluidsactieve bewegingsmacro 1
			152 ⇔ 167	Geluidsactieve bewegingsmacro 2
			168 ⇔ 183	Geluidsactieve bewegingsmacro 3
			184 ⇔ 199	Geluidsactieve bewegingsmacro 4
			200 ⇔ 215	Geluidsactieve bewegingsmacro 5
			216 ⇔ 231	Geluidsactieve bewegingsmacro 6
			232 ⇔ 247	Geluidsactieve bewegingsmacro 7
			248 ⇔ 255	Geluidsactieve bewegingsmacro 8

**Contact
Us**

General Information	Technical Support
Chauvet World Headquarters	
Address: 5200 NW 108th Avenue Sunrise, FL 33351 Voice: (954) 577-4455 Fax: (954) 929-5560 Toll free: (800) 762-1084	Voice: (844) 393-7575 Fax: (954) 756-8015 Email: chauvetcs@chauvetlighting.com Website www.chauvetdj.com
Chauvet Europe Ltd	
Address: Unit 1C Brookhill Road Industrial Estate Pinxton, Nottingham, UK NG16 6NT Voice: +44 (0)1773 511115 Fax: +44 (0)1773 511110	Email: UKtech@chauvetlighting.eu Website: www.chauvetdj.eu
Chauvet Europe BVBA	
Address: Stokstraat 18 9770 Kruishoutem Belgium Voice: +32 9 388 93 97	Email: BNLtech@chauvetlighting.eu Website: www.chauvetdj.eu
Chauvet France	
Address: 3, Rue Ampère 91380 Chilly-Mazarin France Voice: +33 1 78 85 33 59	Email: FRtech@chauvetlighting.fr Website: www.chauvetdj.eu
Chauvet Germany	
Address: Bruno-Bürgel-Str. 11 28759 Bremen Germany Voice: +49 421 62 60 20	Email: DEtech@chauvetlighting.de Website: www.chauvetdj.eu
Chauvet Mexico	
Address: Av. de las Partidas 34-3B (Entrance by Calle 2) Zona Industrial Lerma Lerma, Mexico C.P. 52000 Voice: +52 (728) 690-2010	Email: servicio@chauvet.com.mx Website: www.chauvetdj.mx

Visit the applicable website above to verify our contact information and instructions to request support. Outside the US, UK, Ireland, Mexico, France, Germany, or Benelux, contact the dealer of record.

Intimidator Wash Zoom 450 IRC QRG – Rev. 2 ML6

© Copyright 2020 Chauvet and Sons, LLC

All rights reserved.

Printed in the P. R. C.

