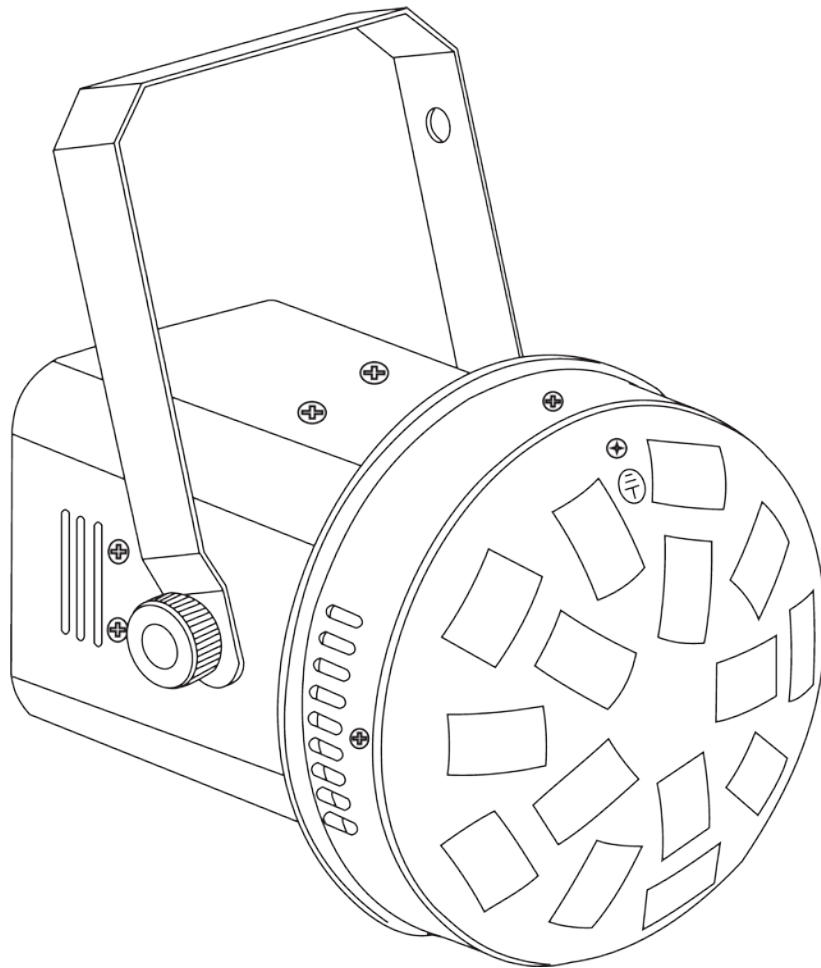


COMET™ LED

User Manual



CHAUVET®
Value • Innovation • Performance
It's **Green** Thinking.

TABLE OF CONTENTS

1. BEFORE YOU BEGIN.....	3
WHAT IS INCLUDED	3
UNPACKING INSTRUCTIONS	3
MANUAL CONVENTIONS.....	3
ICONS.....	3
SAFETY INSTRUCTIONS.....	4
2. INTRODUCTION	5
PRODUCT OVERVIEW.....	5
3. SETUP	6
AC POWER	6
<i>Power Linking</i>	6
MOUNTING	7
<i>Orientation</i>	7
<i>Rigging</i>	7
4. OPERATING INSTRUCTIONS	8
STANDALONE.....	8
<i>Sound-Active</i>	8
5. APPENDIX	9
GENERAL TROUBLESHOOTING	9
GENERAL MAINTENANCE	9
RETURNS PROCEDURE.....	9
CLAIMS.....	9
TECHNICAL SPECIFICATIONS	10
CONTACT US.....	10

© Copyright 2013 CHAUVET®, All Rights Reserved
Information and specifications in this User Manual are subject to change without notice.
CHAUVET® assumes no responsibility or liability for any errors or inaccuracies that may appear
in this manual.

Author: Anthony Chiappone
Revision: 2 by AL
Release Date: 11-11-2010

1. BEFORE YOU BEGIN

What is Included

- 1 x Comet™ LED
- 1 x Power Cord
- 1 x Warranty Card
- 1 x User Manual

Unpacking Instructions

Immediately upon receiving a fixture, carefully unpack the carton, check the contents to ensure that all parts are present, and have been received in good condition. Notify the shipper immediately and retain packing material for inspection if any parts appear damaged from shipping or the carton itself shows signs of mishandling. Save the carton and all packing materials. In the event that a fixture must be returned to the factory, it is important that the fixture be returned in the original factory box and packing.




Manual Conventions

CHAUVET® manuals use the following conventions to differentiate certain types of information from the regular text.

CONVENTION	MEANING
[10]	A DIP switch to be configured
<Menu>	A key to be pressed on the fixture's control panel
1~512	A range of values
50/60	A set of values of which only one can be chosen
<i>Settings</i>	A menu option not to be modified (for example, showing the operating mode/current status)
<i>MENU > Settings</i>	A sequence of menu options to be followed
ON	A value to be entered or selected

Icons

This manual uses the following icons to indicate information that requires special attention on the part of the user.

ICONS	MEANING
	This paragraph contains critical installation, configuration or operation information. Failure to comply with this information may render the fixture partially or completely inoperative, cause damage to the fixture or cause harm to the user.
	This paragraph contains important installation or configuration information. Failure to comply with this information may prevent the fixture from functioning correctly.
	This paragraph reminds you of useful, although not critical, information.

Safety Instructions

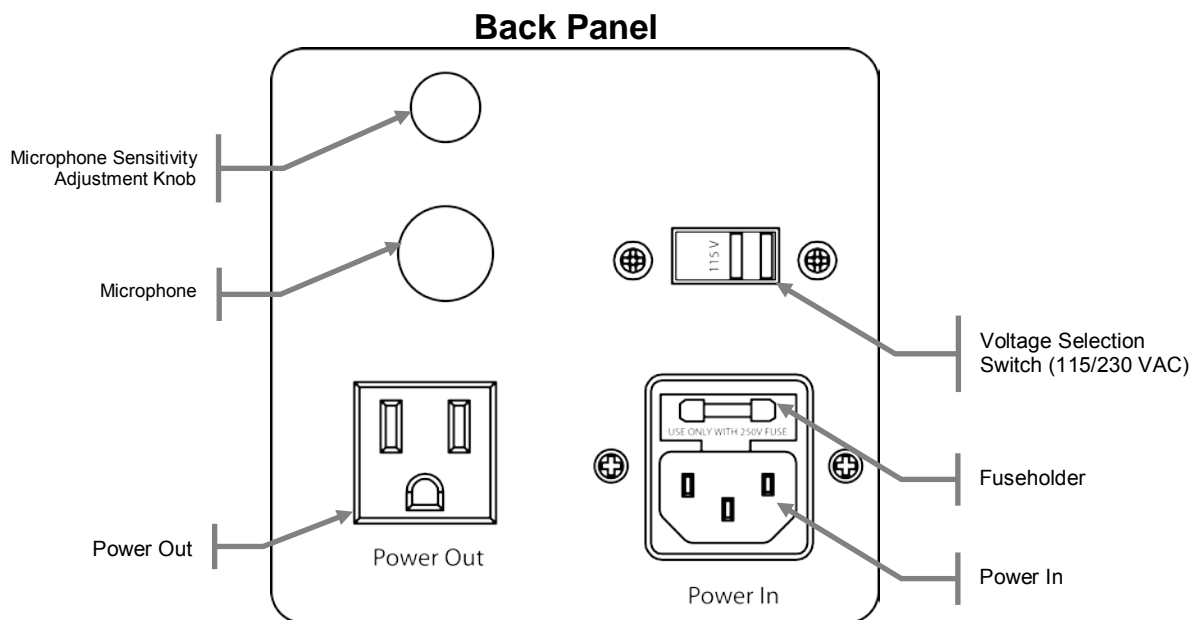


Please read these instructions carefully. It includes important information about the installation, usage and maintenance of this product.

- Please keep this User Manual for future consultation. If you sell the unit to another user, be sure that they also receive this instruction booklet.
- Always make sure that you are connecting to the proper voltage, and that the line voltage you are connecting to is not higher than that stated on the decal or rear panel of the fixture.
- This product is intended for indoor use only! To prevent risk of fire or shock, do not expose fixture to rain or moisture.
- Make sure there are no flammable materials close to the unit while operating.
- The unit must be installed in a location with adequate ventilation, at least 20 in (50 cm) from adjacent surfaces. Be sure that no ventilation slots are blocked.
- Always disconnect from power source before servicing or replacing fuse and be sure to replace with same fuse source.
- Secure fixture to fastening device using a safety chain.
- Maximum ambient temperature (Ta) is 104° F (40° C). Do not operate fixture at temperatures higher than this.
- In the event of a serious operating problem, stop using the unit immediately. Never try to repair the unit by yourself. Repairs carried out by unskilled people can lead to damage or malfunction. Please contact the nearest authorized technical assistance center.
- Never connect the device to a dimmer pack.
- Make sure the power cord is never crimped or damaged.
- Never disconnect the power cord by pulling or tugging on the cord.
- Never carry the fixture directly from the cord. Always use the hanging/mounting bracket.
- Avoid direct eye exposure to the light source while it is on.

2. INTRODUCTION

Product Overview



3. SETUP

AC Power

This fixture is switchable and runs on 115 VAC, 60 Hz or 230 VAC, 50 Hz. Before powering on the unit, make sure the line voltage to which you are connecting it is within the range of accepted voltages that the voltage switch is set to. Modify the voltage switch selection if necessary.

To determine the power requirements for a particular fixture, see the label affixed to the back plate of the fixture or refer to the fixture's specifications chart. A fixture's listed current rating indicates its average current draw under normal conditions.



Always connect the fixture to a switched circuit. Never connect the fixture to a rheostat (variable resistor) or dimmer circuit, even if the rheostat or dimmer channel is used only as a 0 to 100% switch.



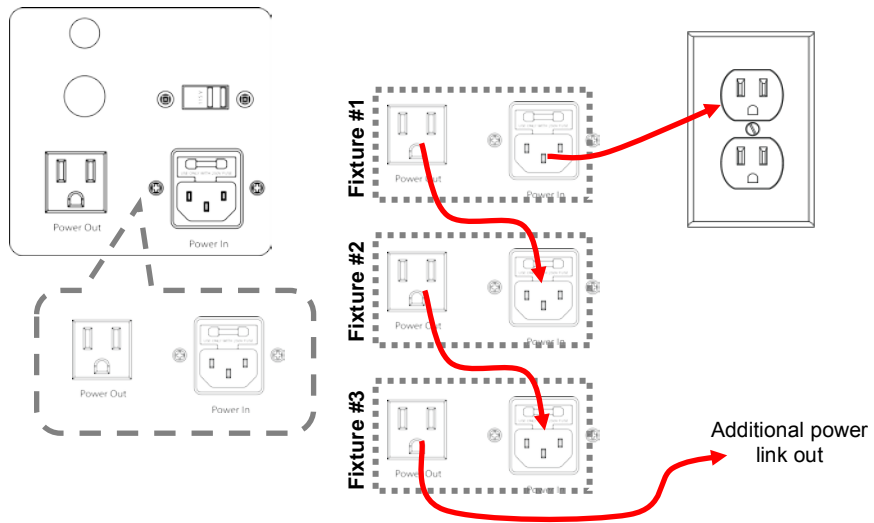
Always connect the fixture to a circuit with a suitable electrical ground.

Power Linking

This fixture contains power linking via the Edison outlet located in front of the power input cable. Please see the diagram below for further explanation.



The maximum quantity of Comet™ LED fixtures that may be linked is 80.



The power linking shown in this document is for the Chauvet® North American version ONLY! Therefore, it is the customer's responsibility to check with the Dealer/Distributor regarding power linking on the local version of the product. Connections and availability may change, depending on the power requirements and/or regulations of each country/region.

Mounting

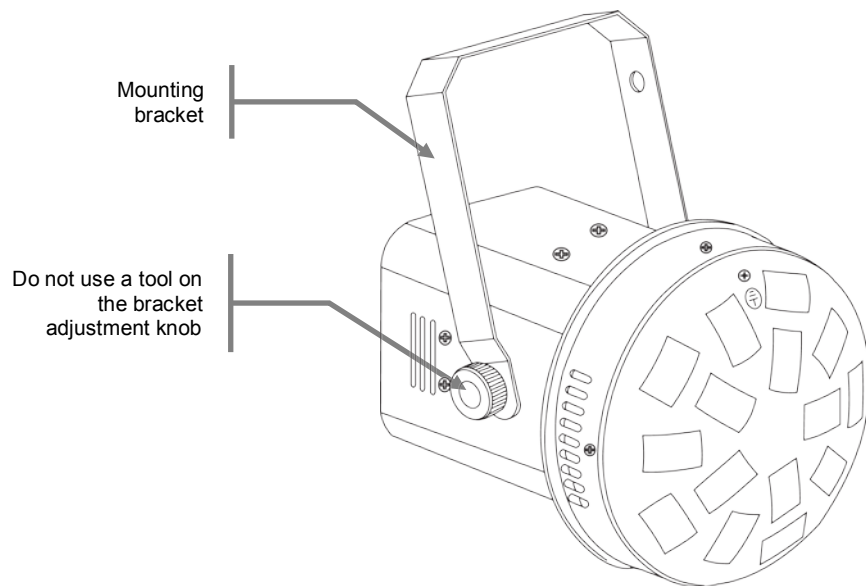
Orientation

The Comet™ LED may be mounted in any position, provided there is adequate room for ventilation.

Rigging

Be sure that the structure can support the weight of the fixture. Please see the "Technical Specifications" section of this manual for a detailed weight listing. Mount the fixture securely. This may be done with a screw, nut and bolt, or a hanging clamp. The hole in each bracket is 13 mm in size. When rigging consider routine maintenance and control panel access. Please see the following notes on installation.

- If the power link out is intended to be used with multiple fixture, take into account the length of each power cable, and mount the fixtures close enough to one another to accommodate for this.
- When aiming the fixtures, you may use the bracket adjustment knob. Loosen the knob, adjust to the desired angle, and then tighten the knob by turning clockwise. Do not use tools for this step, as it may cause damage.
- Always use safety cables!



4. OPERATING INSTRUCTIONS

Standalone

Sound-Active

This fixture has a preprogrammed, sound triggered chase.

Adjust the microphone sensitivity from the control panel.

No additional settings are required.

5. APPENDIX

General Troubleshooting

SYMPTOM	POSSIBLE CAUSE(S)	POSSIBLE ACTION(S)
Breaker/Fuse keeps blowing	<ul style="list-style-type: none">Excessive circuit loadShort circuit along the power wires	<ul style="list-style-type: none">Check total load placed on the electrical circuit.Check for a short in the electrical wiring (internal and/or external).
Device does not power up	<ul style="list-style-type: none">No powerLoose power cord	<ul style="list-style-type: none">Check for power on Mains.Check power cord



If you still have a problem after trying the above solutions, please contact CHAUVET® Technical Support.

General Maintenance

To maintain optimum performance and minimize wear, fixtures should be cleaned frequently. Usage and environment are contributing factors in determining frequency. As a general rule, fixtures should be cleaned at least twice a month. Dust build up reduces light output performance and can cause overheating. This can lead to reduced lamp life and increased mechanical wear. Be sure to power off fixture before conducting maintenance.

- Unplug fixture from power.
- Use a vacuum or air compressor and a soft brush to remove dust collected on external vents.
- Clean all lenses when the fixture is cool with a mild solution of glass cleaner or Isopropyl Alcohol and a soft lint free cotton cloth or lens tissue.
- Apply solution to the cloth or tissue and drag dirt and grime to the outside of the lens.
- Gently polish optical surfaces until they are free of haze and lint.



Always dry the parts carefully after cleaning them.



Never spin a fan using compressed air.

Returns Procedure

Returned merchandise must be sent prepaid and in the original packing; call tags will not be issued. Package must be clearly labeled with a Return Merchandize Authorization Number (RMA #). Products returned without the RMA # will be refused. Call CHAUVET® and request an RMA # prior to shipping the fixture. Be prepared to provide the model number, serial number and a brief description of the cause for the return. Be sure to pack fixture properly; any shipping damage resulting from inadequate packaging is the customer's responsibility. As a suggestion, proper UPS packing or double-boxing is always a safe method to use. CHAUVET® reserves the right to use its own discretion to repair or replace product(s).



If you are given an RMA #, please include the following information on a piece of paper inside the box:

- Your name**
- Your address**
- Your phone number**
- RMA #**
- A brief description of the symptoms**

Claims

Damage incurred in shipping is the responsibility of the shipper; therefore, the damage must be reported to the carrier upon receipt of merchandise. It is the customer's responsibility to notify and submit claims with the shipper in the event that a fixture is damaged due to shipping. Any other claim for items such as missing component/part, damage not related to shipping, and concealed damage, must be made within seven (7) days of receiving merchandise.

TECHNICAL SPECIFICATIONS

WEIGHT & DIMENSIONS

Length 10.5 in (268 mm)
Width 7.4 in (188 mm)
Height 9 in (228 mm)
Weight 4.4 lbs (2 kg)

POWER

Switchable power 115 VAC, 60 Hz or 230 VAC, 50 Hz
Power consumption @ 120 V 8 W (0.1 A) max
Power consumption @ 230 V 10 W (0.1 A) max
Power output 640 W, 80 units max

LIGHT SOURCE

Type high-powered LED
Quantity 4 (1 red, 1 green, 1 blue, 1 white)
Rating 1 W, 330 mA, 50,000 hrs

PHOTO OPTIC

Coverage angle 90°

INDOOR/OUTDOOR

Rating For indoor use only

THERMAL

Maximum ambient temperature 104° F (40° C)

ORDERING INFORMATION

Comet™ LED COMETLED

WARRANTY INFORMATION

Warranty 1-year limited warranty

CONTACT US

WORLD WIDE

General Information CHAUVET®
5200 NW 108th Ave
Sunrise, FL 33351
voice: 954-577-4455
fax: 954-929-5560
toll free: 800-762-1084

Technical Support CHAUVET®
5200 NW 108th Ave
Sunrise, FL 33351
voice: 954-577-4455 (Press 4)
fax: 954-929-5560 (Attention: Service)

World Wide Web <http://www.chauvetlighting.com>

