

Gobo Shot™ SOW IRC

User Manual

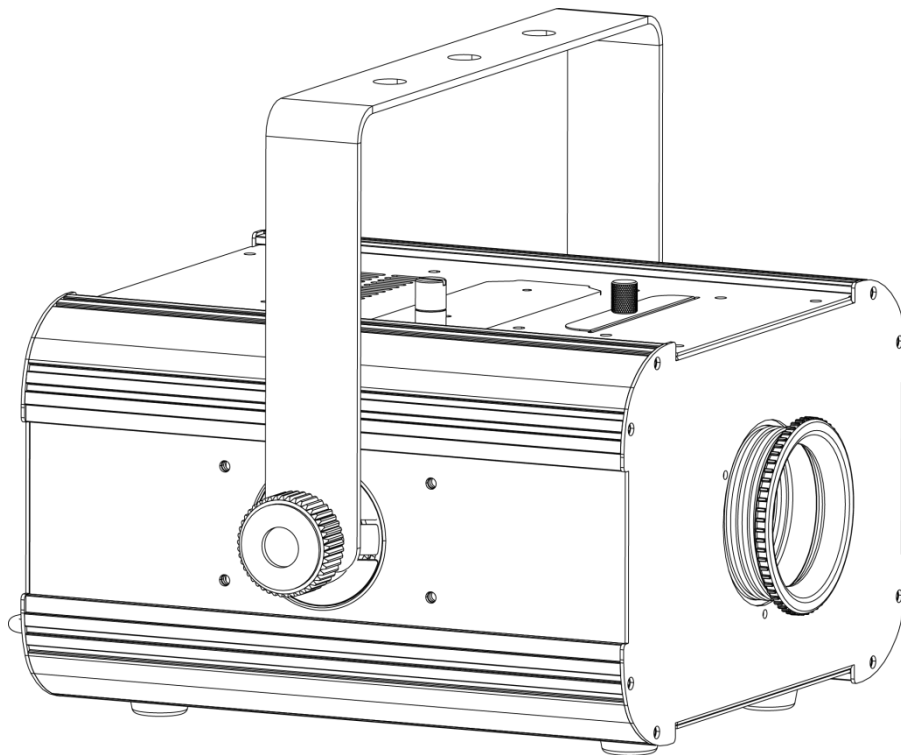


TABLE OF CONTENTS

1. Before You Begin	3
What Is Included.....	3
Unpacking Instructions	3
Claims	3
Text Conventions	3
Symbols.....	3
Disclaimer.....	3
Product at a Glance.....	4
Safety Notes.....	4
2. Introduction	5
Overview.....	5
Dimensions.....	6
3. Setup	7
AC Power	7
Fuse Replacement	7
Power Linking.....	8
Mounting.....	9
Orientation.....	9
Rigging	9
4. Operation	10
Control Panel Operation.....	10
Menu Map.....	10
Configuration (DMX).....	10
Starting Address.....	10
DMX Channel Modes, Assignments, and Values	11
4-Channel.....	11
Configuration (Standalone)	12
Manual Mode.....	12
Display.....	12
Reset Software	12
Load Factory Defaults	12
IRC-6 (Infrared Remote Control)	13
IRC-6 Operation	13
Wired Remote.....	14
Included Gobos	15
Changing Gobos.....	15
5. Technical Information	16
Product Maintenance	16
6. Technical Specifications.....	17
Returns	18
Contact Us.....	18

1. BEFORE YOU BEGIN

What Is Included

- Gobo Shot™ 50W IRC
- 10 Gobos
- Hanging bracket with mounting hardware
- Power cord
- Wired remote with RJ45 cable
- Warranty card
- Quick Reference Guide

Unpacking Instructions

Carefully unpack the product immediately and check the container to make sure all the parts are in the package and are in good condition.

Claims




If the box or the contents (the product and included accessories) appear damaged from shipping, or show signs of mishandling, notify the carrier immediately, not CHAUVET®. Failure to report damage to the carrier immediately may invalidate your claim. In addition, keep the box and contents for inspection.

For other issues, such as missing components or parts, damage not related to shipping, or concealed damage, file a claim with CHAUVET® within 7 days of delivery.

Text Conventions

Convention	Meaning
1—512	A range of values
50/60	A set of values of which only one can be chosen
Settings	A menu option not to be modified
Menu > Settings	A sequence of menu options to be followed
<ENTER>	A key to be pressed on the product's control panel
ON	A value to be entered or selected

Symbols

Symbol	Meaning
	Critical installation, configuration, or operation information. Not following these instructions may make the product not work, cause damage to the product, or cause harm to the operator.
	Important installation or configuration information. The product may not function correctly if this information is not used.
	Useful information.

Disclaimer

The information and specifications contained in this User Manual are subject to change without notice. CHAUVET® assumes no responsibility or liability for any errors or omissions, and reserves the right to revise or recreate this manual at any time. Download the latest version from www.chauvetlighting.com.

© Copyright 2014 CHAUVET®. All rights reserved.

Electronically published by CHAUVET® in the United States of America.

Author	Date		
A. Leon	8/13/14		

Product at a Glance

Use on Dimmer	X	Auto Programs	P
Outdoor Use	X	Auto-ranging Power Supply	P
Sound-Active	X	Replaceable Fuse	P
DMX	P	User-Serviceable	X
Master/Slave	P		

Safety Notes

These notes include important information about the mounting, usage, and maintenance of this product; read before using the product.



- Always connect the product to a grounded circuit to avoid the risk of electrocution.
- Always disconnect the product from the power source before cleaning or replacing the fuse.
- Avoid direct eye exposure to the light source while the product is on.
- Make sure the power cord is not crimped or damaged.
- Never disconnect the product from power by pulling or tugging on the cord.
- If mounting the product overhead, always secure to a fastening device using a safety cable.
- Make sure there are no flammable materials close to the product when operating.
- Do not touch the product's housing when operating because it may be very hot.



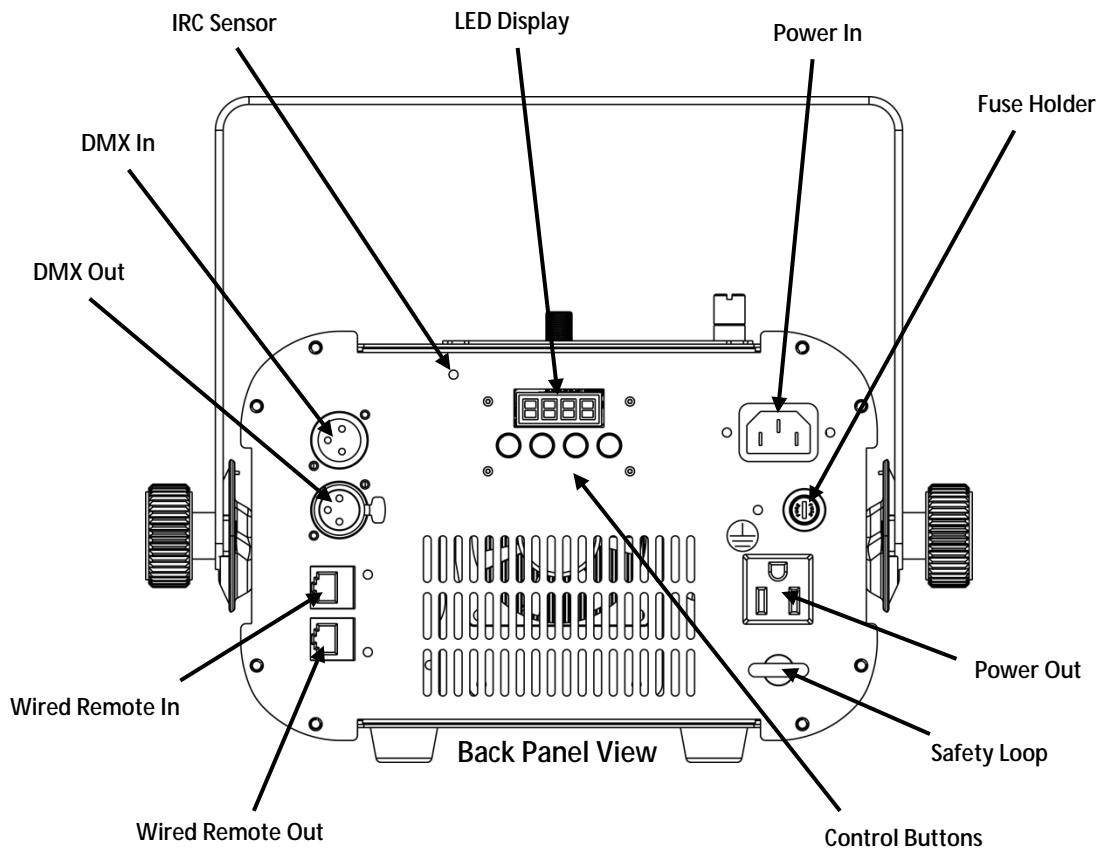
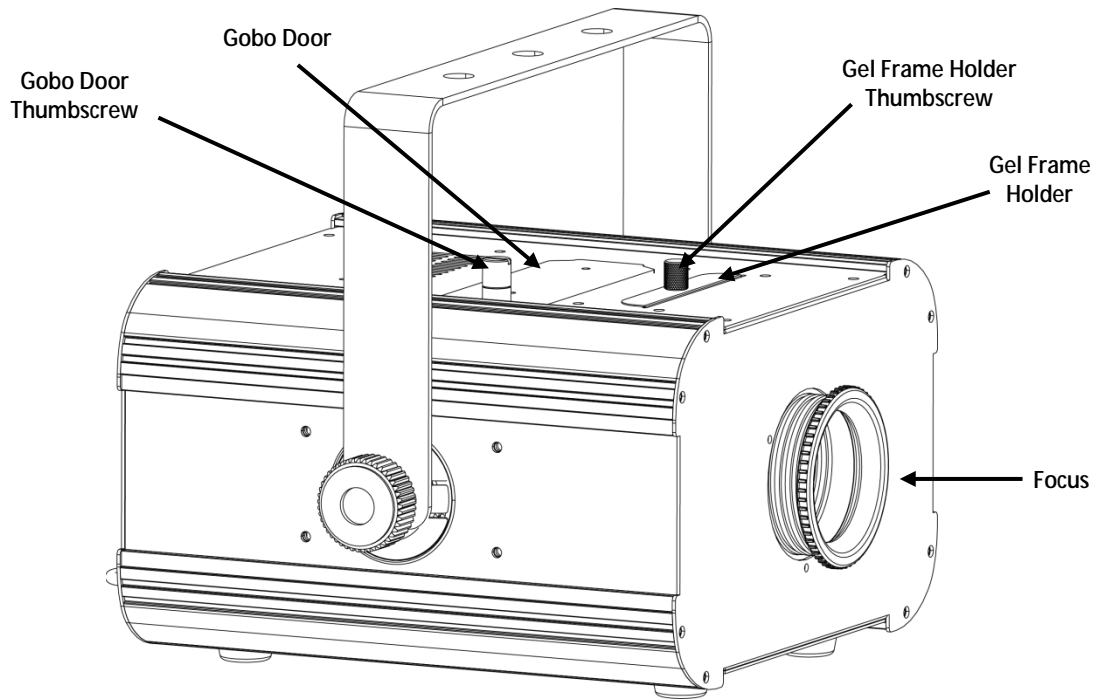
- Always make sure that the voltage of the outlet to which you are connecting the product is within the range stated on the decal or rear panel of the product.
- The product is for indoor use only! (IP20) To prevent risk of fire or shock, do not expose the product to rain or moisture.
- Always install the product in a location with adequate ventilation, at least 20 in (50 cm) from adjacent surfaces.
- Be sure that no ventilation slots on the product's housing are blocked.
- Never connect the product to a dimmer.
- Make sure to replace the fuse with another of the same type and rating.
- Never carry the product from the power cord or any moving part. Always use the hanging/mounting bracket.
- The maximum ambient temperature (Ta) is 104 °F (40 °C). Do not operate the product at higher temperatures.
- In the event of a serious operating problem, stop using the product immediately.
- Never try to repair the product. Repairs carried out by unskilled people can lead to damage or malfunction. Contact the nearest authorized technical assistance center.
- This product is not intended for permanent installation.



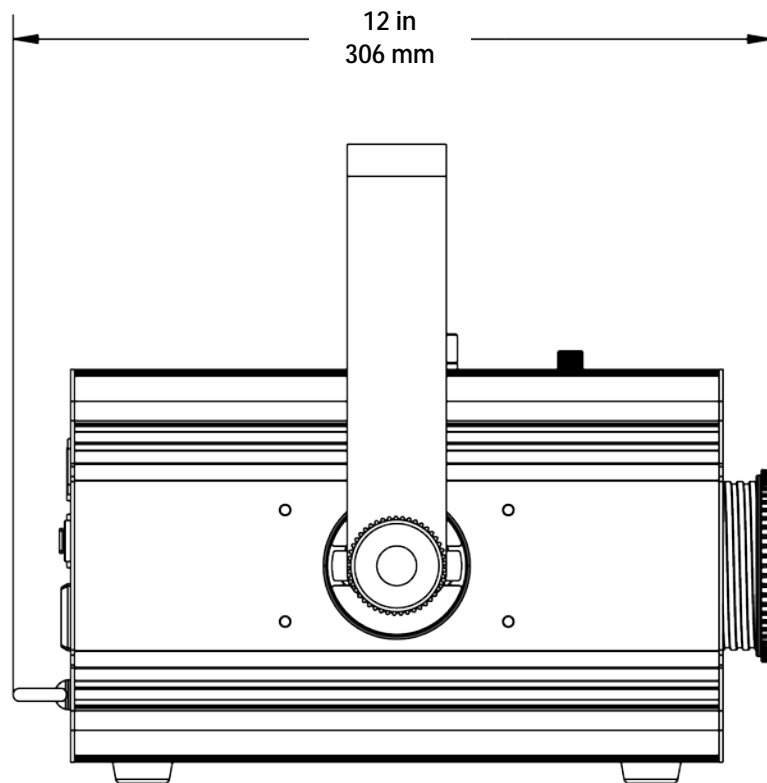
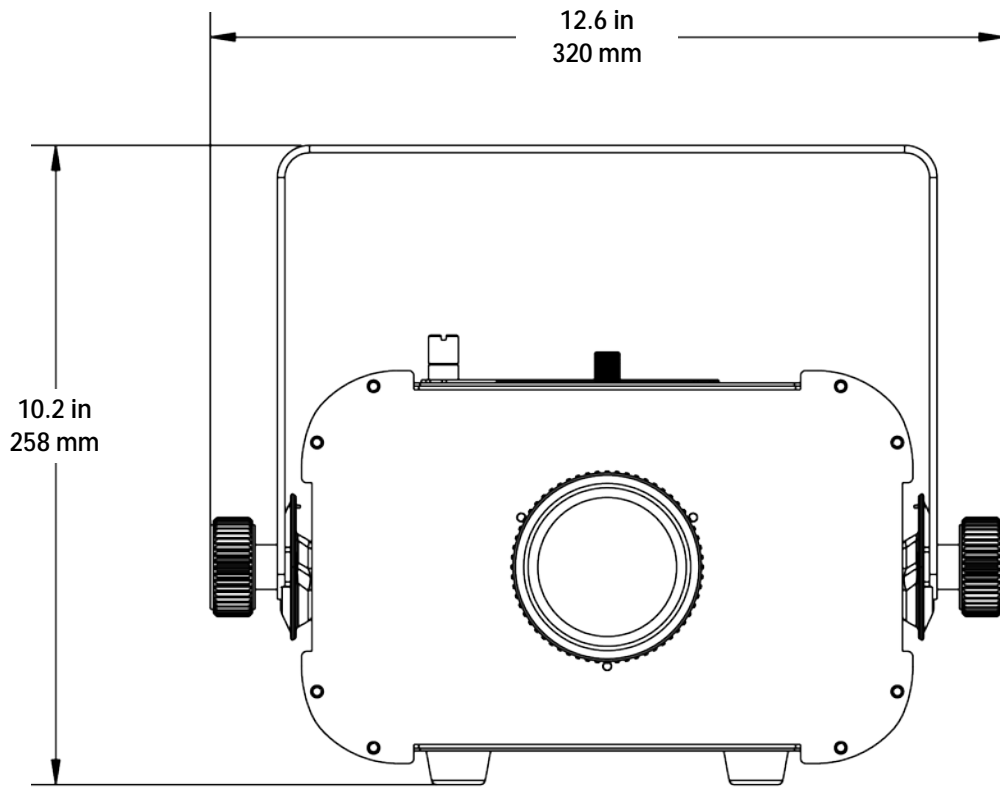
- Keep this User Manual for future use. If you sell the product to another user, be sure to give this document to the next owner.

2. INTRODUCTION

Overview



Dimensions



3. SETUP

AC Power The Gobo Shot™ 50W IRC has an auto-ranging power supply and it can work with an input voltage range of 100~240 VAC, 50/60 Hz.

To determine the product's power requirements (circuit breaker, power outlet, and wiring), use the current value listed on the label affixed to the product's back panel, or refer to the product's specifications chart. The listed current rating indicates the product's average current draw under normal conditions.



Always connect the product to a protected circuit (circuit breaker or fuse). Make sure the product has an appropriate electrical ground to avoid the risk of electrocution or fire.



Never connect the product to a rheostat (variable resistor) or dimmer circuit, even if the rheostat or dimmer channel serves only as a 0 to 100% switch.

Fuse Replacement



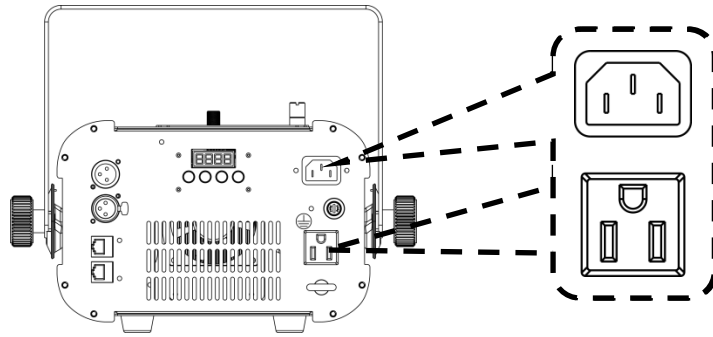
Disconnect the product from power before replacing the fuse.

1. Disconnect the product from power.
2. With a flat-head screwdriver, unscrew the fuse holder cap from the housing.
3. Remove the blown fuse.
4. Replace with a fuse of the same type and rating.
5. Screw the fuse holder cap back in place and reconnect power.

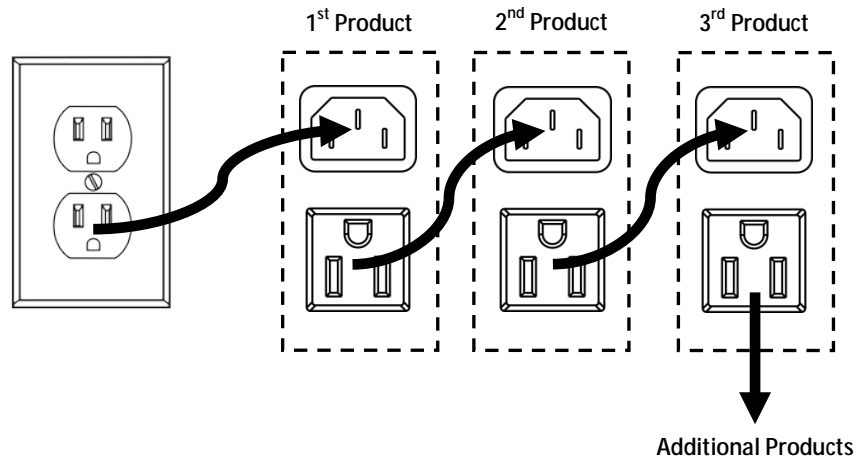


Always replace a blown fuse with another of the same type and rating.

Power Linking The product provides power linking via the Edison/IEC outlet located in the back of the unit.



Power Linking Diagram



You can power link up to 9 Gobo Shot™ 50W IRC units on 120 VAC or up to 17 Gobo Shot™ 50W IRC units on 230 VAC.



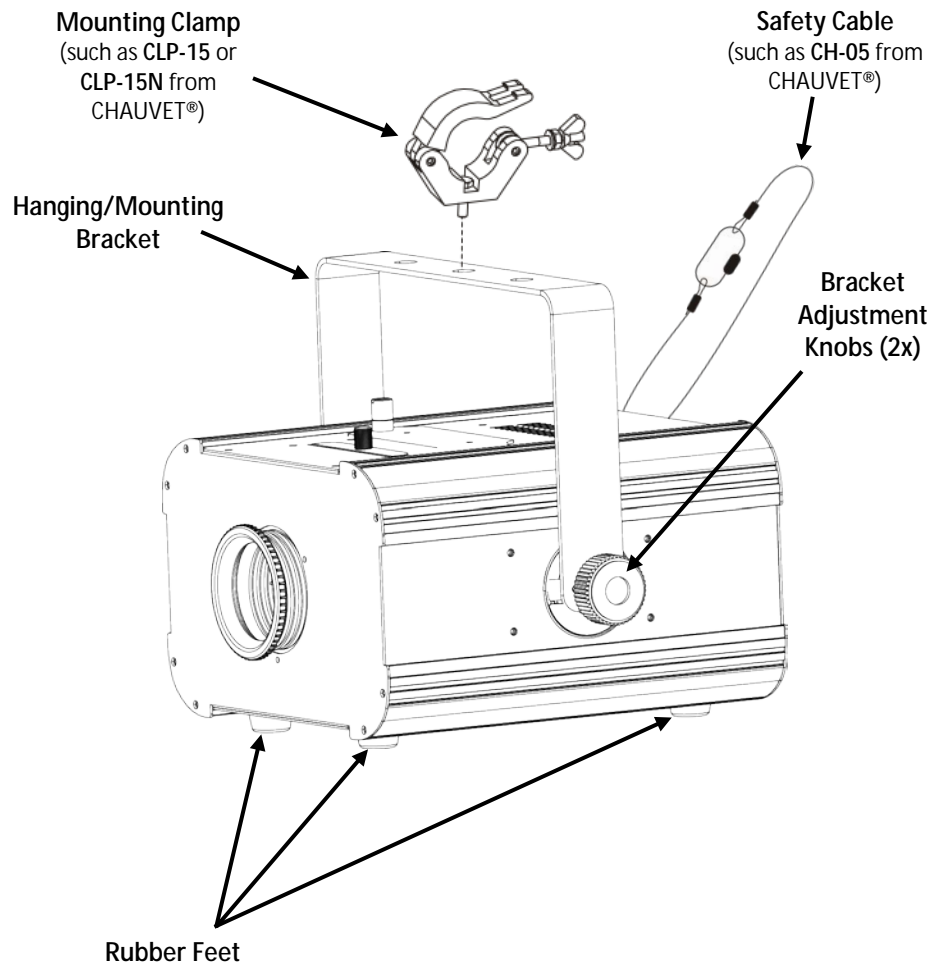
The power linking diagram shown above corresponds to the North American version of the product **ONLY!** If using the product in other markets, you must consult with the local CHAUVET® distributor as power linking connectors and requirements may differ in your country or region.

Mounting Before mounting the product, read and follow the safety recommendations indicated in the Safety Notes.

Orientation The Gobo Shot™ 50W IRC may be mounted in any position; however, make sure adequate ventilation is provided around the product.

- Rigging**
- Before deciding on a location, always make sure there is easy access to the product for maintenance and programming.
 - Make sure that the structure or surface onto which you are mounting the product can support the product's weight (see the [Technical Specifications](#)).
 - When mounting the product overhead, always use a safety cable. Mount the product securely to a rigging point, such as an elevated platform or a truss.
 - When rigging the product onto a truss, you should use a mounting clamp of appropriate weight capacity (you must supply your own mounting clamps). The bracket has 13-mm holes, which are appropriate for this purpose.
 - When power linking multiple products, you must always consider the length of the power linking cable and mount the products close enough for the cable to reach.
 - The bracket adjustment knobs allow for directional adjustment when aiming the product to the desired angle. Only loosen or tighten the bracket knobs manually. Using tools could damage the knobs.
 - The rubber feet also serve as floor supports. When mounting the product on the floor, make sure that the product and cables are away from people and vehicles.

Mounting Diagram



4. OPERATION

Control Panel Operation

To access the control panel functions, use the four buttons located underneath the display.

Button	Function
<MENU>	Selects an operation mode or backs out of the current menu option
<UP>	Scrolls up the list of options or selects a higher value
<DOWN>	Scrolls down the list of options or selects a lower value
<ENTER>	Activates a menu option or a selected value

Menu Map

Main Function	Programming Levels		Description
DMX Address	d001—d512		Selects the DMX starting address
Manual Mode	nAn	StoP	Gobo rotation, stop
		CU	Gobo rotation
		CCU	Reverse gobo rotation
		GoSP 000—255	Gobo rotation speed
		diNN L000—L255	Dimmer (0—100%)
	SHut	S000—S100	Shutter (0—20 Hz)
Display	diS	diS	Normal display
		rdis	Reverse display
Reset	rEst		Resets fixture
Load	LoAd		Loads factory defaults



While in Manual mode (nAn), the Gobo Shot™ 50W IRC also responds to the IRC-6. When using the IRC-6 in this mode, changes in programming levels and settings will show on the display.

Configuration (DMX)

Set the product in DMX mode to control with a DMX controller.

1. Connect the product to a suitable power outlet.
2. Connect a DMX cable from the DMX output of the DMX controller to the DMX input socket on the product.

Starting Address

When selecting a starting DMX address, always consider the number of DMX channels the selected DMX mode uses. If you choose a starting address that is too high, you could restrict the access to some of the product's channels.

The Gobo Shot™ 50W IRC uses up to 4 DMX channels in its 4-channel DMX mode, which defines the highest configurable address to **509**.

If unfamiliar with DMX, download the DMX Primer from www.chauvetlighting.com.

To select the starting address, do the following:

1. Press <MENU> repeatedly until **d001—d512** shows on the display.
2. Press <ENTER>.
3. Use <UP> or <DOWN> to select the starting address.
4. Press <ENTER>.

DMX Channel Modes, Assignments, and Values

4-Channel	Channel	Function	Value	Setting
	1	Dimmer	000 ó 255	0—100%
	2	Shutter	000 ó 003 004 ó 007 008 ó 215 216 ó 255	Closed Open Strobe, with increasing speed (0—20 Hz) Open
	3	Gobo Rotation	000 ó 063 064 ó 127 128 ó 191 192 ó 255	Stop Rotation Stop Reverse rotation
	4	Gobo Rotation Speed	000 ó 255	Gobo speed (slow to fast)

Configuration (Standalone)

Set the product in the standalone Manual mode to control without a DMX controller.

- Connect the product to a suitable power outlet.



Never connect a product that is operating in a standalone mode to a DMX string connected to a DMX controller. Products in standalone mode may transmit DMX signals that could interfere with the DMX signals from the controller.

Manual Mode

To enable the Manual mode, do the following:

1. Press **<MENU>** repeatedly until **nAn** shows on the display.
2. Press **<ENTER>** and **Gobo**, **GoSP**, **diNN**, or **SHut** show on the display.
3. Use **<UP>** or **<DOWN>** to select the desired option as follows.

To select from the gobo rotation options:

1. Select **Gobo** and press **<ENTER>**.
2. Use **<UP>** or **<DOWN>** to select **CU** (gobo rotation), **CCU** (reverse gobo rotation), or **StoP** (stop).
3. Press **<ENTER>**.

To select the gobo rotation speed:

1. Select **GoSP** and press **<ENTER>**.
2. Use **<UP>** or **<DOWN>** to select **000—255**.
3. Press **<ENTER>**.

For dimmer control:

1. Select **diNN** and press **<ENTER>**.
2. Use **<UP>** or **<DOWN>** to select **L000—L255** (0—100%).
3. Press **<ENTER>**.

To set the shutter speed:

1. Select **SHut** and press **<ENTER>**.
2. Use **<UP>** or **<DOWN>** to select **S000—S100** (0—20 Hz).
3. Press **<ENTER>**.

Display

You are able to flip the display for easy readability in any mounting situation.

To select your display angle:

1. Press **<MENU>** repeatedly until **diS** (normal display) or **rdiS** (inverted display) shows on the display.
2. Use **<UP>** or **<DOWN>** to select the desired display.
3. Press **<ENTER>**.

Reset Software

To reset the software in the Gobo Shot™ 50W IRC, do the following:

1. Press **<MENU>** repeatedly until **reSt** shows on the display.
2. Press **<ENTER>**.

Load Factory Defaults

To load the factory default settings in the Gobo Shot™ 50W IRC, do the following:

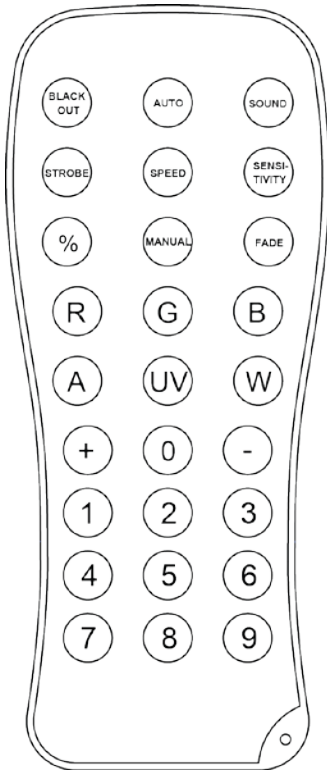
1. Press **<MENU>** repeatedly until **LoAd** shows on the display.
2. Press **<ENTER>**.

IRC-6 (Infrared Remote Control)

The IRC-6 (infrared remote control) from CHAUVET® can be used to control one Gobo Shot™ 50W IRC. Set the product in Manual mode (**nAn**) to use the IRC-6.

IRC-6 Operation

Note: Make sure to point the IRC-6 directly at the receiver.



The following IRC-6 buttons are used with the Gobo Shot™ 50W IRC:

- **<BLACKOUT>** - turns LED on/off
- **<STROBE>** - strobing (0–20 Hz)
- **<SPEED>** - gobo rotation
Note: After pressing the **<SPEED>** button, **CU** shows on the display until you increase or decrease the gobo rotation speed (see below).
- **<%>** - master dimmer
- **<MANUAL>** - stops rotation
- **<FADE/SNAP>** - selects clockwise/counter-clockwise
- **<+>** (plus) - increases effect
 - to increase gobo rotation, press the **<SPEED>** button first (settings **0–255**)
 - to increase strobing, press the **<STROBE>** button first (settings **S000–S100**)
 - to increase dimming, press the **<%>** button first (settings **L000–L255**)
- **<->** (minus) - decreases effect
 - to decrease gobo rotation, press the **SPEED** button first (settings **0–255**)
 - to decrease strobing, press the **STROBE** button first (settings **S000–S100**)
 - to decrease dimming, press the **%** button first (settings **L000–L255**)
- **<0>–<9>** - preset rotation speeds **0–9** (slow to fast)



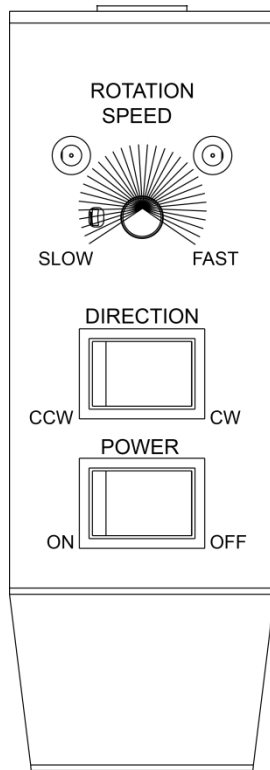
The buttons on the IRC-6 not listed above are reserved for future use with the Gobo Shot™ 50W IRC.



The Gobo Shot™ 50W IRC responds to the IRC-6 while in Manual mode (**nAn**). When using the IRC-6 in this mode, changes in programming levels and settings will show on the display

Wired Remote

To operate the Gobo Shot™ 50W IRC with the included wired remote, follow the instructions below:



Plug the wired remote into the Wired Remote In port on the back of the projector, and use the remote as follows:

- To control the gobo's rotation speed, turn the ROTATION SPEED knob to the desired speed (slow to fast).
- To control the direction of the gobo's rotation, flip the DIRECTION switch to either CCW (counter-clockwise) or CW (clockwise).
- To control the power to the Gobo Shot™ 50W IRC, flip the POWER switch to either ON or OFF.



The Wired Remote In/Out ports allow one Gobo Shot™ 50W IRC to remotely control the actions of another Gobo Shot™ 50W IRC without the need of an additional wired remote. Using a standard RJ45 (network) cable, connect the projector with the wired remote from its Wired Remote Out port to the Wired Remote In port of the other projector. Gobo Shot™ 50W IRC projectors configured in this manner operate in unison.



When using just one wired remote to control more than one Gobo Shot™ 50W IRC, be sure to use the RJ45 cables to connect the projectors. Do not use DMX connections or the fixtures will not respond correctly.

Included Gobos

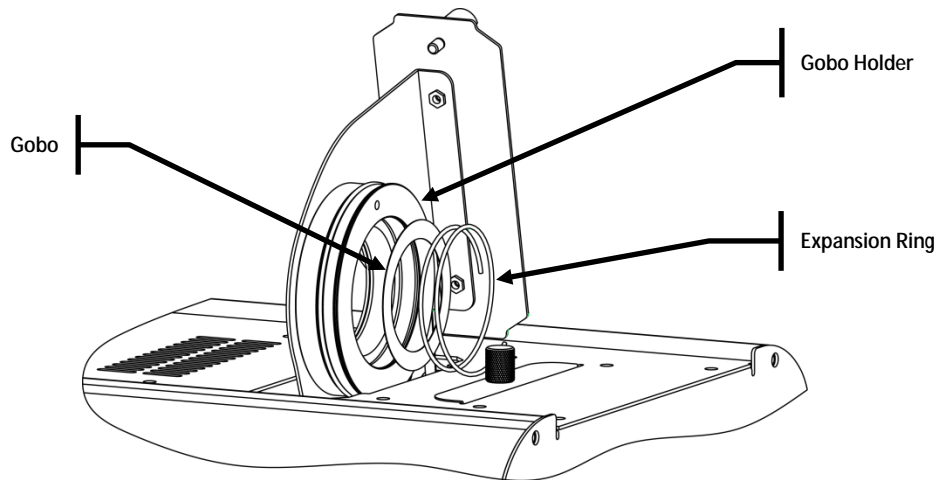


Changing Gobos

To change the gobos in the Gobo Shot™ 50W IRC, do the following:

1. Turn off and disconnect the product from power.
2. Place the product on a flat, level surface.
3. Loosen the gobo door thumbscrew and pull open the hinged gobo door.
4. Remove the expansion ring that holds the gobo in place and remove the gobo from the gobo holder.
5. Insert a new gobo and hold it in place with the expansion ring.
6. Close the gobo door.
7. Tighten the gobo door thumbscrew.

Gobo Replacement Diagram



5. TECHNICAL INFORMATION

Product Maintenance

Dust build-up reduces light output performance and can cause overheating. This can lead to reduction of the light source's life and mechanical wear. To maintain optimum performance and minimize wear, clean the product at least twice a month. However, usage and environmental conditions contribute to increased cleaning frequency.

To clean the product, follow the instructions below:

1. Unplug the product from power.
2. Wait until the product is at room temperature.
3. Use a vacuum (or dry compressed air) and a soft brush to remove dust collected on the external surface/vents.
4. Clean all external optics and glass/transparent surfaces with a mild soap solution, ammonia-free glass cleaner, or isopropyl alcohol.
5. Apply the solution directly to a soft, lint-free cotton cloth or a lens cleaning tissue.
6. Softly wipe any dirt or grime to the outside edges of the external optics or glass/transparent surface.
7. Gently polish the external optics and glass/transparent surfaces until they are free of haze and lint.



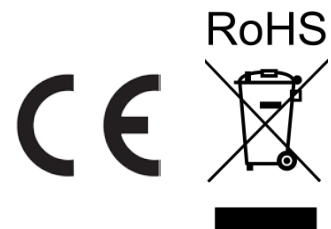
Always dry the external optics and glass/transparent surfaces carefully after cleaning them.



Do not spin the cooling fan using compressed air because you could damage it.

6. TECHNICAL SPECIFICATIONS

Dimensions and Weight	Length	Width	Height	Weight
	12 in (306 mm)	12.6 in (320 mm)	10.2 in (258 mm)	10.8 lb (5 kg)
Note: Dimensions in inches rounded to the nearest decimal digit.				
Power	Power Supply Type	Range	Voltage Selection	
	Switching (internal)	100 to 240 VAC, 50/60 Hz	Auto-ranging	
	Parameter	120 V, 60 Hz	230 V, 50 Hz	
	Consumption	102 W	109 W	
	Operating current	0.8 A	0.4 A	
Power I/O	Power I/O	US/Worldwide	UK/Europe	
	Power input connector	IEC	IEC	
	Power output connector	Edison	IEC	
	Power Cord plug	Edison (US)	Local plug	
Light Source	Type	Power	Lifespan	
	LED	50 W	50,000 hours	
Photo Optic	Color	Quantity	Current	
	White	1	2 A	
Thermal	Parameter			
	Illuminance @ 2 m	2937 lx		
	Beam angle	26°		
	Strobe rate	0—20 Hz		
	Gobo size	53 mm outside 40 mm image 1 mm max thickness (size D)		
DMX	Maximum External Temp.	Cooling System		
	104 °F (40 °C)	Fan-cooled		
Ordering	I/O Connectors	Connector Type	Channel Range	
	3-pin XLR	Sockets	4	
Ordering	Product Name	Item Code	UPC Number	
	Gobo Shot™ 50W IRC	03050718	781462210663	



To return a product or request support:

- In the U.S., contact CHAUVET® World Headquarters (see below).
- In the UK or Ireland, contact CHAUVET® Europe Ltd. (see below).
- In Mexico, contact CHAUVET® Mexico (see below).
- In any other country, DO NOT contact CHAUVET®. Contact your distributor. See www.chauvetlighting.com for distributors outside the U.S., United Kingdom, or Ireland.



If you live outside the U.S., United Kingdom, or Ireland, contact your distributor of record and follow their instructions on how to return CHAUVET® products to them. Visit our website for contact details.

Returns

Call the corresponding CHAUVET® Technical Support office and request a Return Merchandise Authorization (RMA) number before shipping the product. Be prepared to provide the model number, serial number, and a brief description of the cause for the return.

You must send the merchandise prepaid, in its original box, and with its original packing and accessories. CHAUVET® will not issue call tags.

Clearly label the package with the RMA number. CHAUVET® will refuse any product returned without an RMA number.



Write the RMA number on a properly affixed label. DO NOT write the RMA number directly on the box.

Before sending the product, clearly write the following information on a piece of paper and place it inside the box:

- Your name
- Your address
- Your phone number
- RMA number
- A brief description of the problem

Be sure to pack the product properly. Any shipping damage resulting from inadequate packaging will be your responsibility. FedEx packing or double-boxing are recommended.



CHAUVET® reserves the right to use its own discretion to repair or replace returned product(s).

Contact Us WORLD HEADQUARTERS - CHAUVET®

General Information

Address: 5200 NW 108th Avenue
Sunrise, FL 33351
Voice: (954) 577-4455
Fax: (954) 929-5560
Toll free: (800) 762-1084

Technical Support

Voice: (954) 577-4455 (Press 4)
Fax: (954) 756-8015
Email: tech@chauvetlighting.com

World Wide Web www.chauvetlighting.com

UNITED KINGDOM AND IRELAND - CHAUVET® Europe Ltd.

General Information

Address: Unit 1C
Brookhill Road Industrial Estate
Pinxton, Nottingham, UK
NG16 6NT
Voice: +44 (0)1773 511115
Fax: +44 (0)1773 511110

Technical Support

Email: uktech@chauvetlighting.com

World Wide Web www.chauvetlighting.co.uk

MEXICO - CHAUVET® Mexico

General Information

Address: Av. Santa Ana 30
Parque Industrial Lerma
Lerma, Mexico C.P. 52000
Voice: +52 (728) 285-5000

Technical Support

Email: servicio@chauvet.com.mx

World Wide Web www.chauvet.com.mx

Outside the U.S., United Kingdom, Ireland, or Mexico, contact your dealer. Follow their instructions to request support or to return a product. Visit our website for contact details.