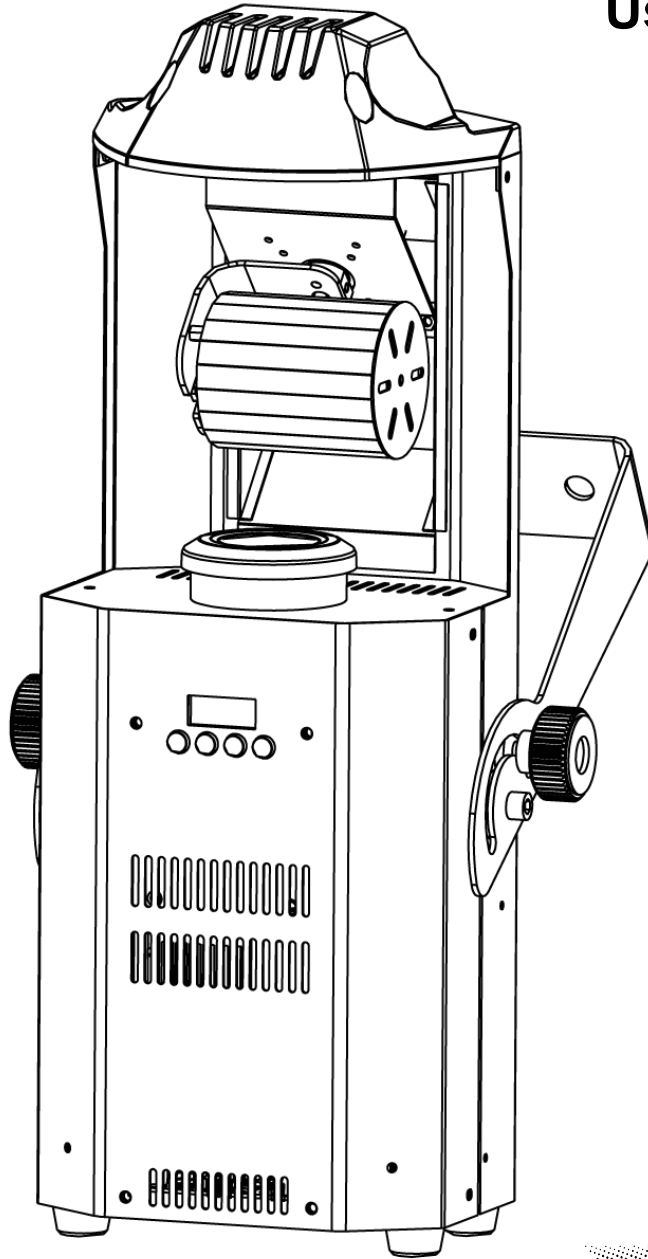


INTIMIDATOR™

BARREL LED 300

User Manual



CHAUVET®
It's **Green** Thinking.™

TABLE OF CONTENTS

1. Before You Begin	3
What Is Included	3
Unpacking Instructions	3
Claims	3
Text Conventions	3
Icons	3
Product at a Glance.....	4
Safety Notes	4
2. Introduction	5
Product Overview	5
Product Dimensions	6
3. Setup	7
AC Power	7
Fuse Replacement.....	7
Power Linking.....	8
Mounting	9
Orientation	9
Rigging	9
4. Operation	10
Control Panel Operation	10
Menu Map.....	10
Configuration (DMX).....	10
DMX Personalities and Starting Address.....	10
DMX Channel Assignments and Values.....	11
11-CH.....	11
8-CH.....	13
Configuration (Standalone).....	14
Sound Active Mode	14
Automatic Mode.....	14
Manual Pan Operation	14
Display	14
Reset Software	14
Gobo Replacement	14
Master/Slave Mode	15
5. Technical Information	16
Product Maintenance	16
Contact Us	17
Returns	17
6. Technical Specifications	18

1. BEFORE YOU BEGIN

What Is Included

- Intimidator™ Barrel LED 300
- Power Cord
- Warranty Card
- Quick Reference Guide

Unpacking Instructions

Upon receipt, carefully unpack the product and check the box to make sure you have received all the parts in good condition.

Claims




If the box or the contents appear damaged from shipping, or show signs of mishandling, upon receipt notify the carrier immediately, not CHAUVET®. Failure to do so in a timely manner may invalidate your claim with the carrier. In addition, keep the container and all the packing material for inspection.

For other issues such as missing components or parts, damage not related to shipping, or concealed damage, file a claim with CHAUVET® within 7 days of receiving the merchandise.

Text Conventions

Convention	Meaning
1~512	A range of values
50/60	A set of values of which only one can be chosen
Settings	A menu option not to be modified
Menu > Settings	A sequence of menu options to be followed
<ENTER>	A key to be pressed on the product's control panel
ON	A value to be entered or selected

Icons

Icon	Meaning
	This paragraph contains critical installation, configuration, or operation information. Failure to comply with this information may render the product partially or completely inoperative, cause damage to the product, or cause harm to the user.
	This paragraph contains important installation or configuration information. Failure to comply with this information may prevent the product from functioning correctly.
	This paragraph reminds you of useful, although not critical, information.

Disclaimer

The information and specifications contained in this document are subject to change without notice. CHAUVET® assumes no responsibility or liability for any errors or omissions that may appear in this manual. CHAUVET® reserves the right to update the existing document or to create a new document to correct any errors or omissions.

You can download the latest version of this document from www.chauvetlighting.com.

© Copyright 2012 CHAUVET®. All rights reserved.

Electronically published by CHAUVET® in the United States of America.

Author	Date	Editor	Date
A. Diaz	4/2/12	S. Graham	4/2/12

Product at a Glance

Use on Dimmer	⊘	Auto Programs	✓
Outdoor Use	⊘	Switchable voltage (120 V / 230 V)	✓
Sound Activated	✓	Replaceable Fuse	✓
DMX	✓	User Serviceable	⊘
Master/Slave	✓	Duty Cycle	⊘

Safety Notes

Please read the following Safety Notes carefully before working with the product. The Notes include important safety information about installation, usage, and maintenance.



- Always connect the product to a grounded circuit to avoid the risk of electrocution.
- Always disconnect the product from the power source before cleaning or replacing the fuse.
- Avoid direct eye exposure to the light source while the product is on.
- Make sure the power cord is not crimped or damaged.
- Never disconnect the product from power cord by pulling or tugging on the cord.
- If mounting the product overhead, always secure to a fastening device using a safety cable.
- Make sure there are no flammable materials close to the product when operating.
- Do not touch the product's housing when operating because it may be very hot.



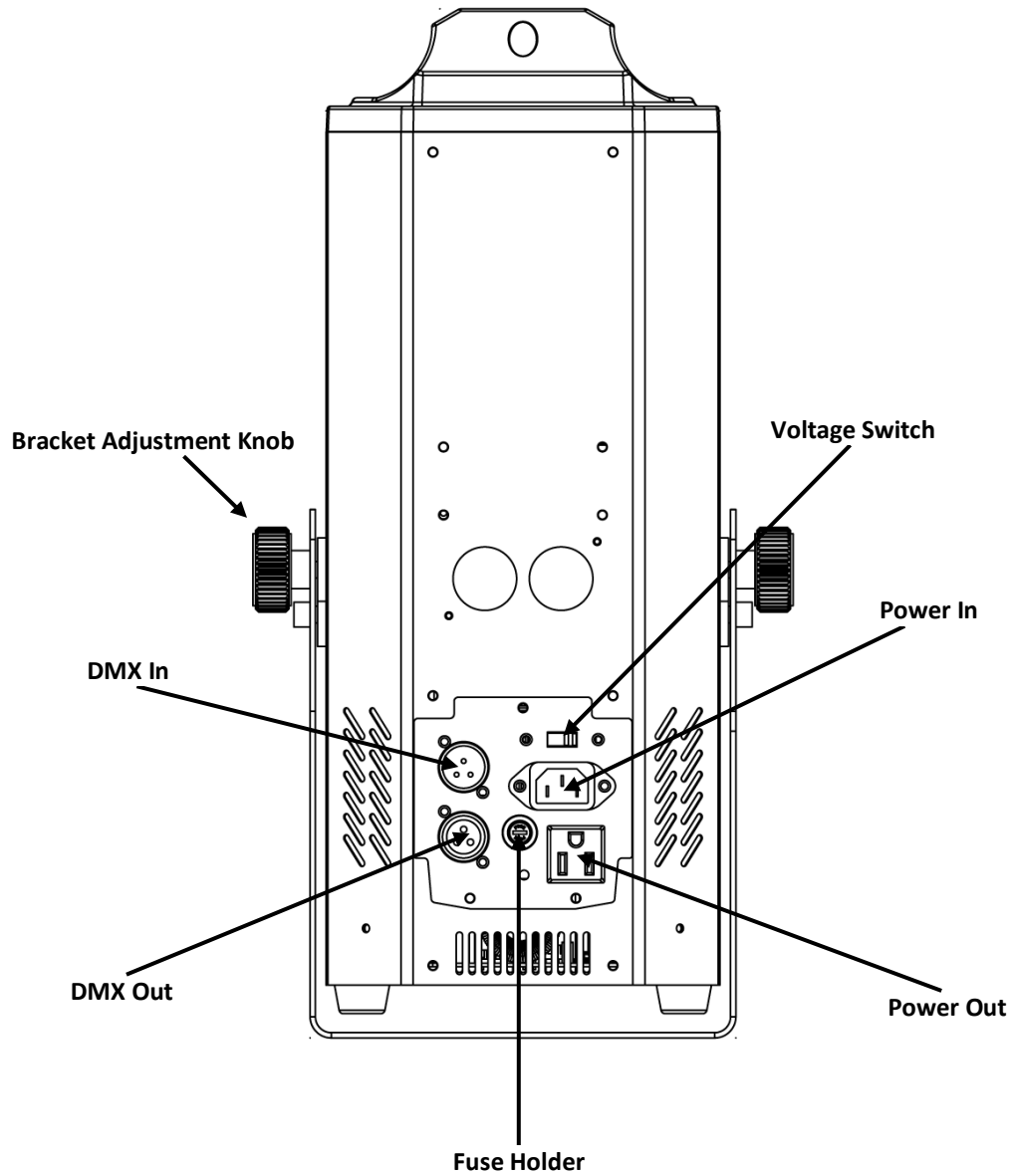
- Always make sure that the voltage of the outlet to which you are connecting the product is within the range stated on the decal or rear panel of the product.
- The product is for indoor use only! (IP20) To prevent risk of fire or shock, do not expose the product to rain or moisture.
- Always install the product in a location with adequate ventilation, at least 20 in (50 cm) from adjacent surfaces.
- Be sure that no ventilation slots on the product's housing are blocked.
- Never connect the product to a dimmer.
- Make sure to replace the fuse with another of the same type and rating.
- Never carry the product from the power cord or any moving part. Always use the hanging/mounting bracket or the handles.
- The maximum ambient temperature (Ta) is 104° F (40° C). Do not operate the product at higher temperatures.
- In the event of a serious operating problem, stop using the product immediately.
- Never try to repair the product. Repairs carried out by unskilled people can lead to damage or malfunction. Please contact the nearest authorized technical assistance center.



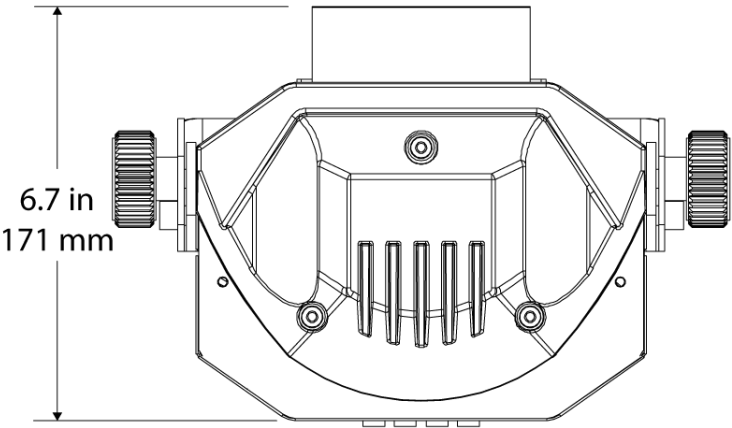
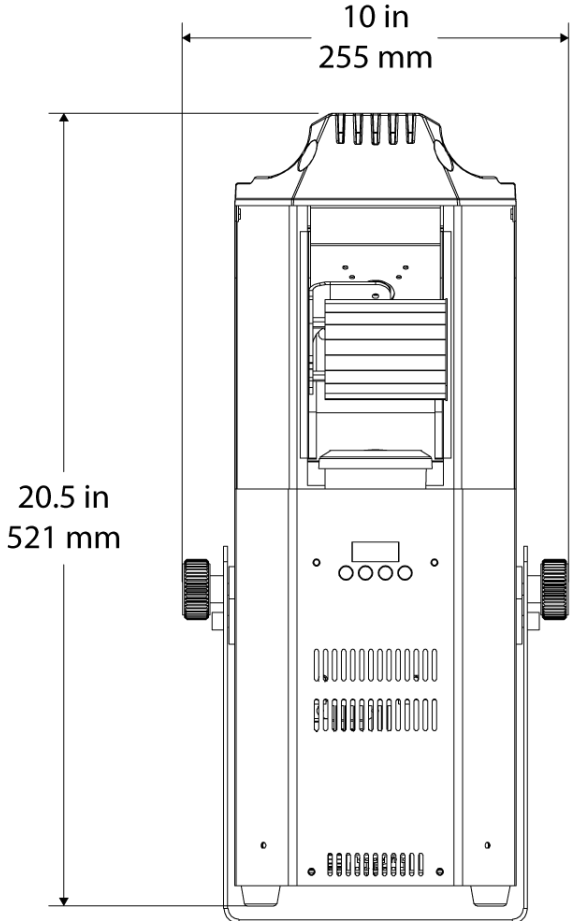
- Keep this User Manual for future consultation. If you sell the product to another user, be sure that they also receive this document.

2. INTRODUCTION

Product Overview



Product Dimensions



3. SETUP

AC Power The Intimidator™ Barrel LED 300 has a dual voltage power supply and it can work with an input voltage of either 120 V, 60 Hz or 230 V, 50 Hz, depending on the position of the voltage selection switch.

To determine the product's power requirements (circuit breaker, power outlet, and wiring), use the current value listed on the label affixed to the product's back panel, or refer to the product's specifications chart. The listed current rating indicates the product's average current draw under normal conditions.



Always connect the product to a protected circuit (circuit breaker or fuse). Make sure the product has an appropriate electrical ground to avoid the risk of electrocution or fire.



Never connect the product to a rheostat (variable resistor) or dimmer circuit, even if the rheostat or dimmer channel serves only as a 0 to 100% switch.

Fuse Replacement

Follow the instructions below to change the fuse, if necessary.



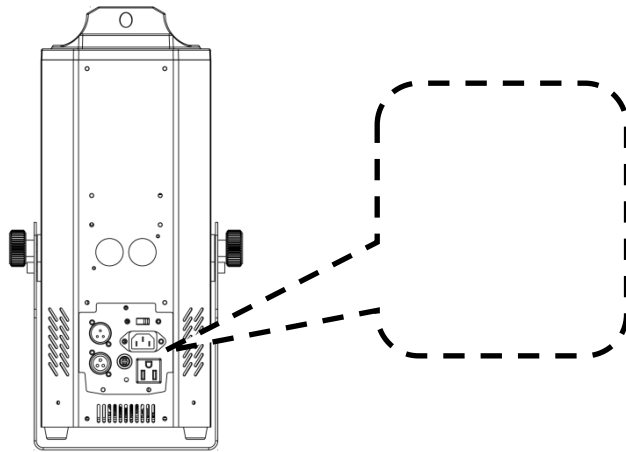
Disconnect the product from the power outlet before replacing the fuse.

1. Disconnect this product from the power outlet.
2. Using a Phillips #2 head screwdriver, unscrew the fuse holder cap from the housing.
3. Remove the blown fuse and replace with a good fuse of the same type and rating.
4. Screw the fuse holder cap back in place and reconnect power

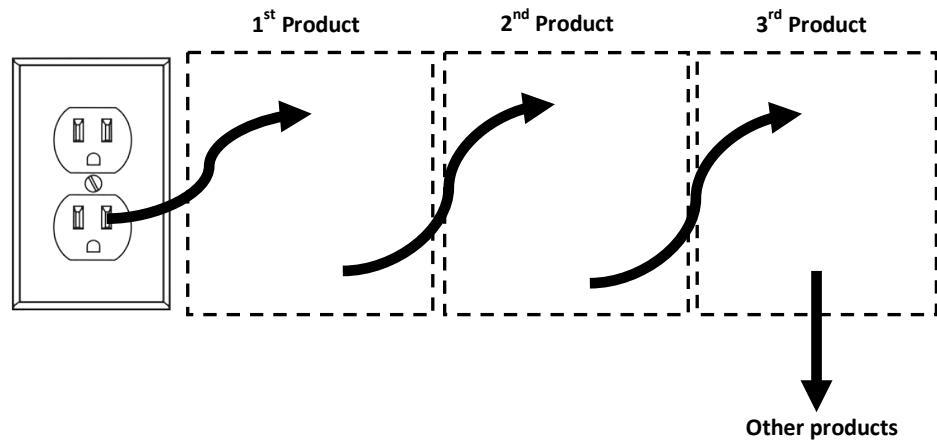


The product does not ship with a spare fuse; however, the safety cap has room for a spare.

Power Linking The product provides power linking via the IEC outlet located in the back of the unit. Please see the diagram below for further explanation.



Power Linking Diagram



You can power link up to three (3) Intimidator™ Barrel LED 300 units on 120 VAC or up to seven (7) Intimidator™ Barrel LED 300 units on 230 VAC.



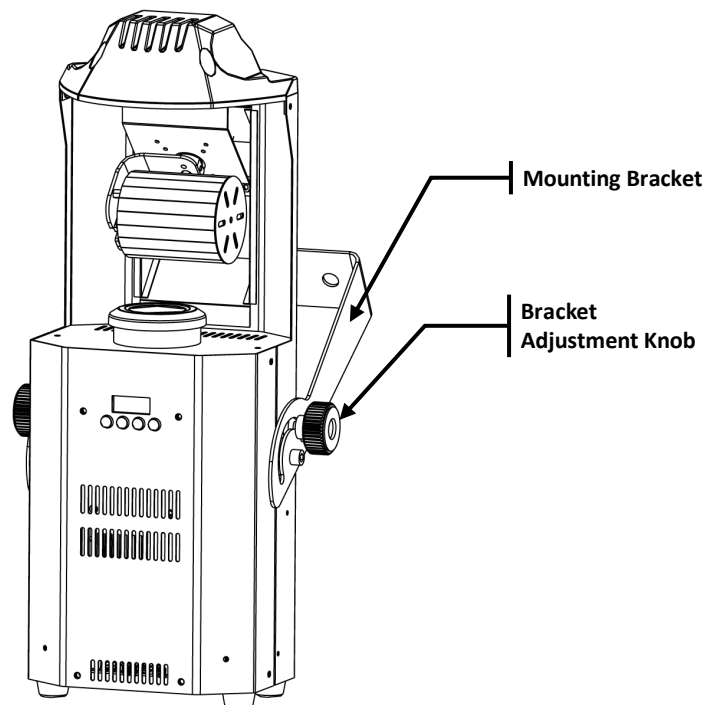
The power linking diagram shown above corresponds to the North American version of the product ONLY! If using the product in other markets, you must consult with the local CHAUVET® distributor as power linking connectors and requirements may differ in your country or region.

Mounting Before mounting the product, read and follow the safety recommendations indicated in the [Safety Notes](#).

Orientation The Intimidator™ Barrel LED 300 may be mounted in any position; however, make sure adequate ventilation is provided around the product.

- Rigging**
- Before deciding on a location for the product, always make sure there is easy access to the product for maintenance and programming purposes.
 - Make sure that the structure onto which you are mounting the product can support the product's weight. See the [Technical Specifications](#) for weight information.
 - When mounting the product overhead, always use a safety cable. Mount the product securely to a rigging point, whether an elevated platform or a truss.
 - When rigging the product onto a truss, you should use a mounting clamp of appropriate weight capacity. The bracket has a 13-mm hole, which is appropriate for this purpose.
 - When power linking multiple products, you must always consider the length of the power linking cable and mount the products close enough for the cable to reach.
 - The bracket adjustment knobs allow for directional adjustment when aiming the product to the desired angle. Only loosen or tighten the bracket knobs manually. Using tools could damage the knobs.

Mounting Diagram



4. OPERATION

Control Panel Operation

To access the control panel functions, use the four buttons located underneath the display. See the [Product Overview](#) to see the button locations on the control panel.

Button	Function
<MENU>	Press to find an operation mode or to back out of the current menu option
<UP>	Press to scroll up the list of options or to find a higher value
<DOWN>	Press to scroll down the list of options or to find a lower value
<ENTER>	Press to activate a menu option or a selected value

Menu Map

Mode	Programming Steps	Description	
DMX Address	001-512	Sets the DMX starting address	
Operation Modes	SLAv (Son)	Slave operating mode	
	NStS (SrUn)	Sound-Active mode	
	NAFA (FASt)	Automatic mode, fast program	
	NASI (SLoU)	Automatic mode, slow program	
Pan	Normal Pan	PAAn	Normal Pan operation
	Inverse Pan	rPAN	Inverse Pan operation
Display	Normal Display	Dis	Change the LED display text position
	Inverse Display	rDis	
Channel Mode	11-Channel Mode	11CH	Selects the DMX personality
	8-Channel Mode	8CH	
Reset	rESt	Resets product	
Load	LoAd	Load factory defaults	

Configuration (DMX)

Set the product in DMX mode to control with a DMX controller.

1. Connect the product to a suitable power outlet.
2. Turn the product on.
3. Connect a DMX cable from the DMX output of the DMX controller to the DMX input socket on the product.

DMX Personalities and Starting Address

The Intimidator™ Barrel LED 300 has two DMX personalities, from an 8 channel mode for basic control to an 11-channel mode with more advanced control over the lights.

The Intimidator™ Barrel LED 300 uses up to 11 DMX channels in its highest DMX mode, which defines the highest configurable address to **502**.

When selecting a starting DMX address, always consider the number of DMX channels the selected DMX mode uses. If you choose a starting address that is too high, you could restrict the access to some of the product's channels.

If you are not familiar with the DMX protocol, download the DMX Primer from www.chauvetlighting.com.

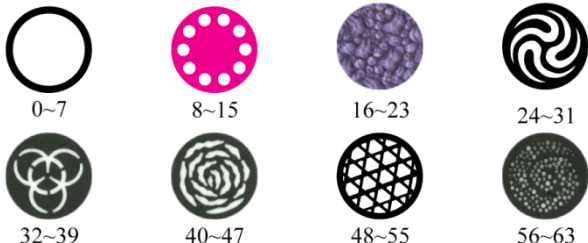
To select the DMX personality, do the following:

1. Press <MENU> repeatedly until **8-CH** or **11CH** shows on the display.
2. Press <ENTER> to choose your DMX personality when it appears on the display.

To then choose your starting address:

1. Press <MENU> repeatedly until **d001** shows on the display.
2. Press <ENTER>.
3. Use <UP> or <DOWN> to select the starting address.
4. Press <ENTER>.

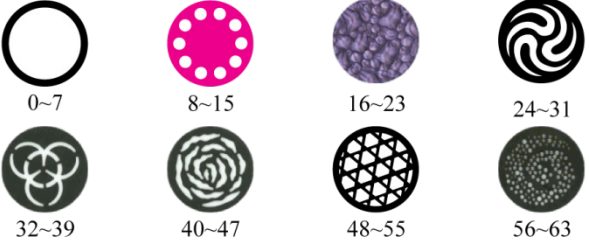
DMX Channel Assignments and Values

11-CH	Channel	Function	Value	Setting
	1	Pan	000 ⇄ 255	0~180°
	2	Tilt	000 ⇄ 255	0~90°
	3	Color	000 ⇄ 006	White
			007 ⇄ 013	Yellow
			014 ⇄ 020	Pink
			021 ⇄ 027	Green
			028 ⇄ 034	Red
			035 ⇄ 041	Light Blue
			042 ⇄ 048	Kelly Green
			049 ⇄ 055	Orange
			056 ⇄ 063	Dark Blue
			064 ⇄ 070	White + Yellow
			071 ⇄ 077	Yellow + Pink
			078 ⇄ 084	Pink + Green
			085 ⇄ 091	Green + Red
			092 ⇄ 098	Red + Light Blue
			099 ⇄ 105	Light Blue + Kelly Green
			106 ⇄ 112	Kelly Green + Orange
			113 ⇄ 119	Orange + Dark Blue
	120 ⇄ 127	Dark Blue + White		
	128 ⇄ 191	Rotate clockwise (slow to fast)		
	192 ⇄ 255	Rotate counterclockwise (slow to fast)		
	4	Shutter	000 ⇄ 003	Closed
			004 ⇄ 007	Open
			008 ⇄ 215	Strobe effect with increasing speed
			216 ⇄ 255	Open
	5	Dimmer	000 ⇄ 255	0~100%
	6	Gobo Wheel		
			064 ⇄ 071	Gobo 7 shake, from slow to fast
			072 ⇄ 079	Gobo 6 shake, from slow to fast
			080 ⇄ 087	Gobo 5 shake, from slow to fast
			088 ⇄ 095	Gobo 4 shake, from slow to fast
			096 ⇄ 103	Gobo 3 shake, from slow to fast
			104 ⇄ 111	Gobo 2 shake, from slow to fast
			112 ⇄ 119	Gobo 1 shake, from slow to fast
			120 ⇄ 127	Open
			128 ⇄ 191	Cycle effect with increasing speed
			192 ⇄ 255	Reverse cycle effect with increasing speed

11-CH (con't)

Channel	Function	Value	Setting
7	Gobo Rotation	000 ⇔ 015	Indexing
		016 ⇔ 127	Rotation effect with increasing speed
		128 ⇔ 239	Reverse rotation effect with increasing speed
		240 ⇔ 255	Gobo bounce
8	Prism	000 ⇔ 003	Open
		004 ⇔ 255	Prism on
9	Focus	000 ⇔ 255	0~100%
10	Control Functions	000 ⇔ 007	No function
		008 ⇔ 015	Blackout while pan/tilt moving
		016 ⇔ 023	Disable blackout while pan/tilt moving
		024 ⇔ 031	Blackout while moving color wheel
		032 ⇔ 039	Disable blackout while moving color wheel
		040 ⇔ 047	Blackout while moving gobo wheel
		048 ⇔ 055	Disable blackout while moving gobo wheel
		056 ⇔ 087	No function
		088 ⇔ 095	Disable blackout while moving all options
		096 ⇔ 103	Reset pan/tilt
		104 ⇔ 111	No function
		112 ⇔ 119	Reset color wheel
		120 ⇔ 127	Reset gobo wheel
		128 ⇔ 135	No function
		136 ⇔ 143	Reset prism
		144 ⇔ 151	Reset focus
		152 ⇔ 159	Reset all
160 ⇔ 255	No function		
11	Movement Macros	000 ⇔ 007	No function
		008 ⇔ 023	Movement macro 1
		024 ⇔ 039	Movement macro 2
		040 ⇔ 055	Movement macro 3
		056 ⇔ 071	Movement macro 4
		072 ⇔ 087	Movement macro 5
		088 ⇔ 103	Movement macro 6
		104 ⇔ 119	Movement macro 7
		120 ⇔ 135	Movement macro 8
		136 ⇔ 151	Sound controlled program 1
		152 ⇔ 167	Sound controlled program 2
		168 ⇔ 183	Sound controlled program 3
		184 ⇔ 199	Sound controlled program 4
		200 ⇔ 215	Sound controlled program 5
		216 ⇔ 231	Sound controlled program 6
		232 ⇔ 247	Sound controlled program 7
		248 ⇔ 255	Sound controlled program 8

8-CH

Channel	Function	Value	Setting		
1	Pan	000 ⇔ 255	0~180°		
2	Tilt	000 ⇔ 255	0~90°		
3	Color	000 ⇔ 006	White		
		007 ⇔ 013	Yellow		
		014 ⇔ 020	Pink		
		021 ⇔ 027	Green		
		028 ⇔ 034	Red		
		035 ⇔ 041	Light Blue		
		042 ⇔ 048	Kelly Green		
		049 ⇔ 055	Orange		
		056 ⇔ 063	Dark Blue		
		064 ⇔ 070	White + Yellow		
		071 ⇔ 077	Yellow + Pink		
		078 ⇔ 084	Pink + Green		
		085 ⇔ 091	Green + Red		
		092 ⇔ 098	Red + Light Blue		
		099 ⇔ 105	Light Blue + Kelly Green		
		106 ⇔ 112	Kelly Green + Orange		
		113 ⇔ 119	Orange + Dark Blue		
		120 ⇔ 127	Dark Blue + White		
		128 ⇔ 191	Rotate clockwise (slow to fast)		
192 ⇔ 255	Rotate counterclockwise (slow to fast)				
4	Shutter	000 ⇔ 003	Closed		
		004 ⇔ 007	Open		
		008 ⇔ 215	Strobe effect with increasing speed		
		216 ⇔ 255	Open		
5	Gobo Wheel				
		064 ⇔ 071	Gobo 7 shake, from slow to fast		
		072 ⇔ 079	Gobo 6 shake, from slow to fast		
		080 ⇔ 087	Gobo 5 shake, from slow to fast		
		088 ⇔ 095	Gobo 4 shake, from slow to fast		
		096 ⇔ 103	Gobo 3 shake, from slow to fast		
		104 ⇔ 111	Gobo 2 shake, from slow to fast		
		112 ⇔ 119	Gobo 1 shake, from slow to fast		
		120 ⇔ 127	Open		
		128 ⇔ 191	Cycle effect with increasing speed		
		192 ⇔ 255	Reverse cycle effect with increasing speed		
		6	Gobo Rotation	000 ⇔ 015	Indexing
				016 ⇔ 127	Rotation effect with increasing speed
				128 ⇔ 239	Reverse rotation effect with increasing speed
				240 ⇔ 255	Gobo bounce
		7	Prism	000 ⇔ 003	Open
				004 ⇔ 255	Prism on
		8	Focus	000 ⇔ 255	0~100%

Configuration (Standalone)

Set the product in one of the standalone modes to control without a DMX controller.

1. Connect the product to a suitable power outlet.
2. Turn the product on.



Never connect a product that is operating in any standalone mode to a DMX controller. Products in standalone mode could interfere with the controller.

Sound Active Mode

To enable the Sound Active mode, do the following:

1. Press **<MODE/ESC>** repeatedly until one of the following shows on the display: **NASI**, **NAFA**, **NStS**, or **SLAv**.
2. Press **<UP>** or **<DOWN>** to select **NStS**.
3. Press **<ENTER>**.
4. Turn the music on and adjust the microphone sensitivity knob until the product starts responding to the beat of the music.



The product will only respond to low frequencies of music (bass and drums).

Automatic Mode

To enable the Automatic Mode:

1. Press **<MODE/ESC>** repeatedly until one of the following shows on the display: **NASI**, **NAFA**, **NStS**, or **SLAv**.
2. Press **<UP>** or **<DOWN>** to select **NASI** (for a slow light show) or **NAFA** (for a fast light show).
3. Press **<ENTER>**.

Manual Pan Operation

To select whether you want the Intimidator™ Barrel LED 300 to operate with normal panning or inverted panning, do the following:

1. Press **<MODE/ESC>** repeatedly until **PAn** shows on the display.
2. Press **<UP>** or **<DOWN>** to select normal pan operation (**PAn**) or inverse pan operation (**r PAn**).
3. Press **<ENTER>**.

Display

You are able to flip the LED display for easy readability in any mounting situation. To select your display angle:

1. Press **<MODE/ESC>** repeatedly until **diS** shows on the display.
2. Press **<UP>** or **<DOWN>** to select normal display mode (**diS**) or inverse display mode (**r diS**).
3. Press **<ENTER>**.

Reset Software

To reset the software on the Intimidator™ Barrel LED 300:

1. Press **<MODE/ESC>** repeatedly until **rESt** shows on the display.
2. Press **<ENTER>**. The product will reset all settings in the software to the default factory settings.

Gobo Replacement

The Intimidator™ Barrel LED 300 has replaceable gobos:

1. Turn off and disconnect product from power.
2. Open the head cover by loosening the 10 fastening screws at the sides of the top cover.
3. Remove the 4 screws on the cover plate underneath the display to access the gobo wheel.
4. Separate the gobo plate away from the gobo wheel by pushing it toward the front of the mirror. Be careful not to push the gobo out of the gobo plate.
5. Then extract the gobo plate by pulling it outward.
6. On a flat surface, remove the expansion ring that holds the gobo in place and remove the gobo from the gobo plate.
7. Insert a new gobo and hold it in place with the expansion ring.
8. Slide the tip of the gobo plate under the pressure plate near the center of the gobo wheel.
9. Push the gobo plate inwards. **DO NOT** force the gobo plate into the gobo wheel slot. If correctly installed, the gobo plate should accommodate itself in the gobo wheel slot.
10. Replace cover.

Master/Slave Mode

The Master/Slave mode allows a single Intimidator™ Barrel LED 300 unit (the “master”) to control the actions of one or more Intimidator™ Barrel LED 300 units (the “slaves”) without the need of a DMX controller. The master unit will be set to operate in either Automatic or Sound Active mode, while the slave units will be set to operate in Slave Mode. Once set and connected, the slaves will operate in unison with the master unit.

Slave mode:

1. Press **<MODE/ESC>** repeatedly until one of the following shows on the display: **NASi**, **NAFA**, **NStS**, or **SLAv**.
2. Press **<UP>** or **<DOWN>** to select **SLAv**.
3. Press **<ENTER>** to accept.
4. Set the DMX address to **001**.
5. Connect the DMX input of the first slave unit to the DMX output of the master unit.
6. Connect the DMX input of the subsequent slave units to the DMX output of the previous slave unit.
7. Finish setting and connecting all the slave units.

Master mode:

1. Set the master unit to operate in either Automatic or Sound mode.
2. Make the master unit the first unit in the DMX daisy chain.



- **Configure all the slave units before connecting the master unit to the DMX daisy chain.**
- **Never connect a DMX controller to a DMX string configured for Master/Slave operation because the controller may interfere with the signals from the master unit.**
- **Do not connect more than 31 slave units to the master unit.**

5. TECHNICAL INFORMATION

Product Maintenance

Dust build-up reduces light output performance and can cause overheating. This can lead to reduction of the light source's life and mechanical wear. To maintain optimum performance and minimize wear, you should clean your lighting products at least twice a month. However, be aware that usage and environmental conditions could be contributing factors to increase the cleaning frequency.

To clean the product, follow the instructions below:

- Unplug the product from power.
- Wait until the product is cold.
- Use a vacuum (or dry compressed air) and a soft brush to remove dust collected on the external surface/vents and reachable internal components.
- Clean all external optics and glass/transparent surfaces with a mild soap solution, ammonia-free glass cleaner, or isopropyl alcohol.
- Apply the solution directly to a soft, lint-free cotton cloth or a lens cleaning tissue.
- Softly drag any dirt or grime to the outside edges of the external optics or glass/transparent surface.
- Gently polish the external optics and glass/transparent surfaces until they are free of haze and lint.
- When cleaning units with one or more movable mirrors, you should keep the contact with the mirror's surface to a minimum to avoid scratching or damaging it.



Always dry the external optics and glass/transparent surfaces carefully after cleaning them.

In case you need to return a product or request support, follow the procedure below:

- If you live in the U.S., contact CHAUVET® World Headquarters (see below).
- If you live in the UK or Ireland, contact CHAUVET® Europe Ltd. (see below).
- If you live in any other country, DO NOT contact CHAUVET®. Instead, contact your distributor of record. Refer to our website for contact details of distributors outside the U.S., United Kingdom, or Ireland.

Contact Us

World Headquarters

CHAUVET®

General Information

Address: 5200 NW 108th Avenue
Sunrise, FL 33351
Voice: (954) 577-4455
Fax: (954) 929-5560
Toll free: (800) 762-1084

Technical Support

Voice: (954) 577-4455 (Press 4)
Fax: (954) 756-8015
Email: tech@chauvetlighting.com

World Wide Web

www.chauvetlighting.com

United Kingdom & Ireland

CHAUVET® Europe Ltd.

General Information

Address: Unit 1C
Brookhill Road Industrial Estate
Pinxton, Nottingham, UK
NG16 6NT
Voice: +44 (0)1773 511115
Fax: +44 (0)1773 511110

Technical Support

Email: uktech@chauvetlighting.com

World Wide Web

www.chauvetlighting.co.uk



If you live outside the U.S., United Kingdom, or Ireland, contact your distributor of record and follow their instructions on how to return CHAUVET® products to them. Visit our website for contact details.

Returns

Call the corresponding CHAUVET® Tech Support office and request a Return Merchandise Authorization (RMA) number before shipping the product. Be prepared to provide the model number, serial number, and a brief description of the cause for the return.

You must send the merchandise prepaid, in its original box, and with its original packing and accessories. CHAUVET® will not issue call tags.

Clearly label the package with the RMA number. CHAUVET® will refuse any product returned without an RMA number.



Write the RMA number on a properly affixed label. DO NOT write the RMA number directly on the box.

Before sending the product, clearly write the following information on a piece of paper and place it inside the box:

- Your name
- Your address
- Your phone number
- The RMA number
- A brief description of the problem

Be sure to pack the product properly. Any shipping damage resulting from inadequate packaging will be your responsibility. Proper FedEx packing or double-boxing are recommended.



CHAUVET® reserves the right to use its own discretion to repair or replace returned product(s).

6. TECHNICAL SPECIFICATIONS

Dimensions and Weight	Length	Width	Height	Weight
	20.5 in (521 mm)	10 in (255 mm)	6.7 in (171 mm)	14.2 lbs (6.4 kg)
Note: Dimensions in inches rounded to the nearest decimal digit.				
Power	Power Supply Type	Range	Voltage Selection	
	Switching (external)	120 V, 60 Hz, 230 V, 50 Hz	Switchable	
	Parameter	120 V, 60 Hz	230 V, 50 Hz	
	Consumption	240 W	240 W	
	Operating	2 A	1 A	
Power I/O	Power I/O	US/Worldwide	UK/Europe	
	Power input connector	IEC	IEC	
Light Source	Type	Power	Lifespan	
	LED	60 W (15 A)	50,000 hours	
	Color	Quantity	Current	
Photo Optic	White	1	15 mA	
	Parameter			
	Illuminance @ 2 m	1,736 lux		
	Pan/Tilt	180°	360°	
	Strobe Rate	0-20 Hz		
Thermal	Maximum External Temp.	Cooling System		
	104° F (40° C)	Fan		
DMX	I/O Connectors	Connector Type	Channel Range	
	3-pin XLR	Sockets	8, 11	
Ordering	Product Name	Item Code	Item Number	
	Intimidator™ Barrel LED 300	08020473	INTBARRELLED300	

