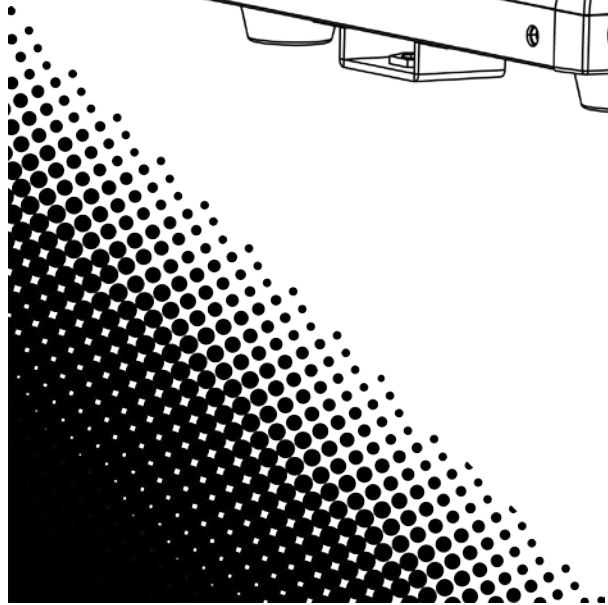
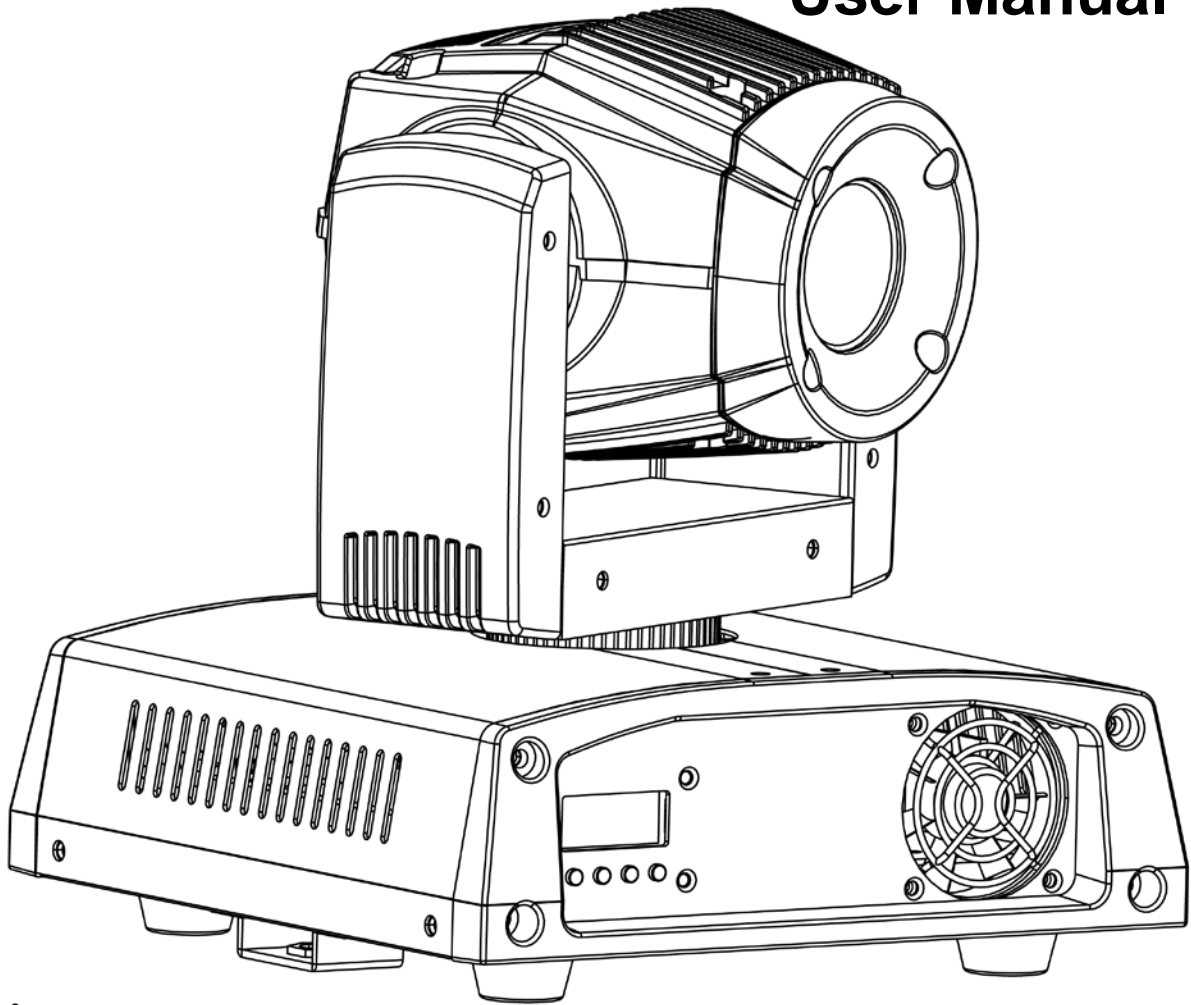


# INTIMIDATOR™

## WASH LED 150

### User Manual



It's  
**Green** Thinking.™

---

# TABLE OF CONTENTS

<b>1. Before You Begin</b> .....	<b>3</b>
Safety Notes .....	4
<b>2. Introduction</b> .....	<b>5</b>
Product Overview.....	5
Product Dimensions .....	6
<b>3. Setup</b> .....	<b>7</b>
AC Power.....	7
Mounting.....	8
<b>4. Operation</b> .....	<b>9</b>
Control Panel Operation.....	9
Menu Map.....	9
Hidden Menu Map.....	10
Configuration (DMX).....	11
Configuration (Standalone Modes) .....	11
DMX Channel Assignments and Values.....	13
<b>5. Maintenance</b> .....	<b>15</b>
General Maintenance .....	15
<b>6. Technical Specifications</b> .....	<b>16</b>

# 1. BEFORE YOU BEGIN

## What Is Included

- Intimidator™ Wash LED 150
- Power Cord
- Warranty Card
- Quick Reference Guide

## Unpacking Instructions

Carefully unpack the product immediately and check the container to make sure all the parts are in the package and are in good condition.

## Claims




If the box or the contents (the product and included accessories) appear damaged from shipping, or show signs of mishandling, notify the carrier immediately, not CHAUVET®. Failure to report damage to the carrier immediately may invalidate your claim. In addition, keep the box and contents for inspection.

For other issues, such as missing components or parts, damage not related to shipping, or concealed damage, file a claim with CHAUVET® within 7 days of delivery.

## Text Conventions

Convention	Meaning
1–512	A range of values
50/60	A set of values of which only one can be chosen
<b>Settings</b>	A menu option not to be modified
<b>Menu &gt; Settings</b>	A sequence of menu options to be followed
<ENTER>	A key to be pressed on the product's control panel
<b>ON</b>	A value to be entered or selected

## Symbols

Symbol	Meaning
	Critical installation, configuration, or operation information. Not following these instructions may make the product not work, cause damage to the product, or cause harm to the operator.
	Important installation or configuration information. The product may not function correctly if this information is not used.
	Useful information.

## Disclaimer

The information and specifications contained in this User Manual are subject to change without notice. CHAUVET® assumes no responsibility or liability for any errors or omissions, and reserves the right to revise or recreate this manual at any time. Download the latest version from [www.chauvetlighting.com](http://www.chauvetlighting.com).

© Copyright 2013 CHAUVET®. All rights reserved.

Electronically published by CHAUVET® in the United States of America.

Author	Date	Editor	Date
A. Leon	06/11/13	T. Yeago	06/17/13

---

## Safety Notes

**These notes include important information about the mounting, usage, and maintenance of this product; read before using the product.**



- Always connect the product to a grounded circuit to avoid the risk of electrocution.
- Always disconnect the product from the power source before cleaning or replacing the fuse.
- Avoid direct eye exposure to the light source while the product is on.
- Make sure the power cord is not crimped or damaged.
- Never disconnect the product from power by pulling or tugging on the cord.
- If mounting the product overhead, always secure to a fastening device using a safety cable.
- Make sure there are no flammable materials close to the product when operating.
- Do not touch the product's housing when operating because it may be very hot.



- Always make sure that the voltage of the outlet to which you are connecting the product is within the range stated on the decal or rear panel of the product.
- The product is for indoor use only! (IP20) To prevent risk of fire or shock, do not expose the product to rain or moisture.
- Always install the product in a location with adequate ventilation, at least 20 in (50 cm) from adjacent surfaces.
- Be sure that no ventilation slots on the product's housing are blocked.
- Never connect the product to a dimmer.
- Make sure to replace the fuse with another of the same type and rating.
- Never carry the product from the power cord or any moving part. Always use the hanging/mounting bracket or the handles.
- The maximum ambient temperature (Ta) is 104° F (40° C). Do not operate the product at higher temperatures.
- In the event of a serious operating problem, stop using the product immediately.
- Never try to repair the product. Repairs carried out by unskilled people can lead to damage or malfunction. Contact the nearest authorized technical assistance center.
- This product is not intended for permanent installation.

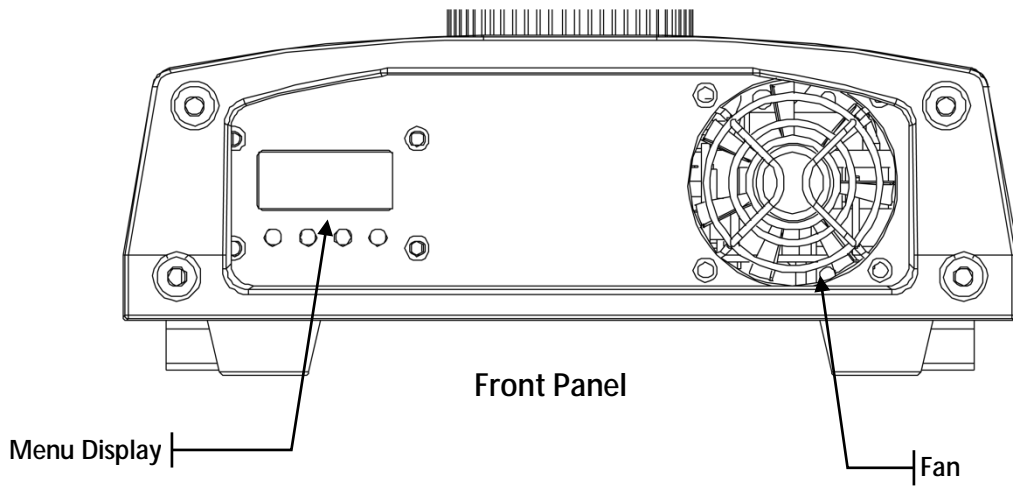
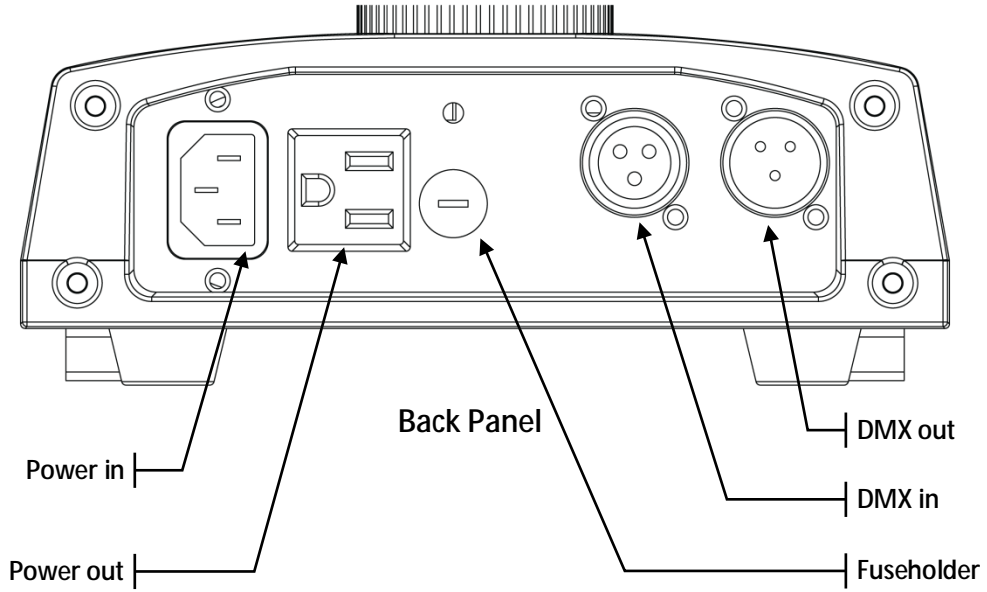


- Keep this User Manual for future use. If you sell the product to another user, be sure to give this document to the next owner.

---

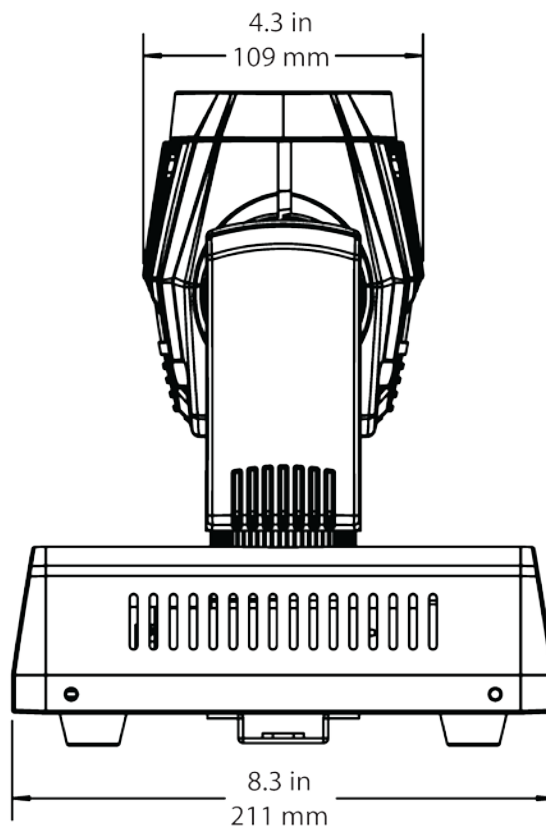
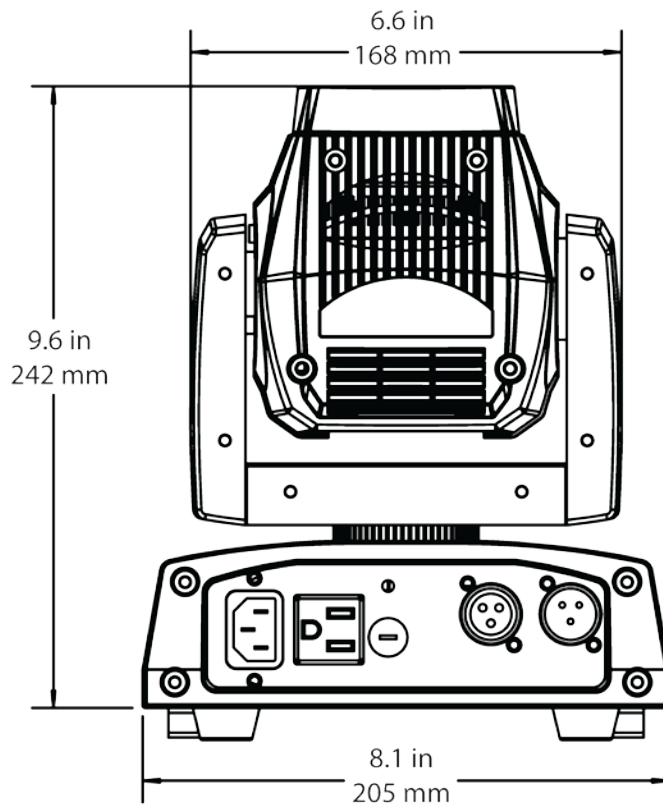
## 2. INTRODUCTION

### Product Overview



---

## Product Dimensions



# 3. SETUP

## AC Power

This product has an auto-ranging power supply and it can work with an input voltage range of 100–240 VAC, 50/60 Hz.

To determine the power requirements for a particular fixture, see the label affixed to the back plate of the fixture or refer to the fixture's specifications chart. A fixture's listed current rating indicates its average current draw under normal conditions.



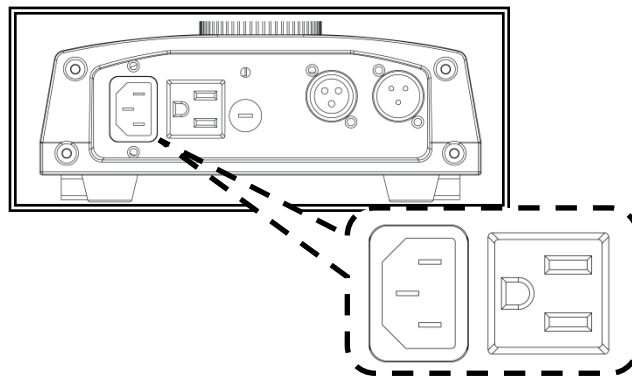
**Always connect this product to a protected circuit (circuit breaker or fuse), making sure that it has an appropriate electrical ground to avoid the risk of electrocution or fire.**



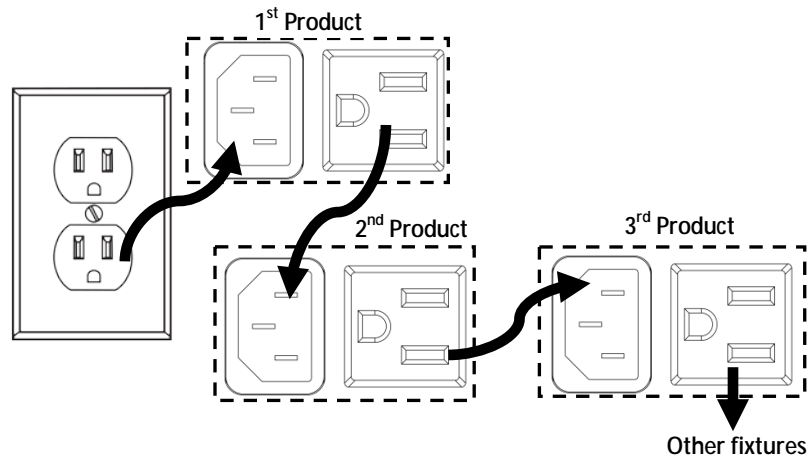
**Never connect this product to a rheostat (variable resistor) or dimmer circuit, even if the rheostat or dimmer channel serves only as a 0 to 100% switch.**

## Power Linking

This fixture provides power linking via the Edison outlet located in the back of the unit. Please see the diagram below for further explanation.



Power Linking Diagram



**You can power link up to 12 Intimidator™ Wash LED 150 units on 120 VAC or up to 21 Intimidator™ Wash LED 150 units on 230 VAC.**



**The power linking diagram shown above corresponds to the North American version of this product ONLY! If using this product in other markets, you must consult with the local CHAUVET® distributor as power linking connectors and requirements may differ in your country or region.**

---

## Mounting

### Orientation

The Intimidator™ Wash LED 150 may be mounted in any position, provided there is adequate room for ventilation around it.

### Rigging

Be sure that the structure onto which you are mounting this product can support its weight. Please see the “Technical Specifications” section of this manual for weight information.

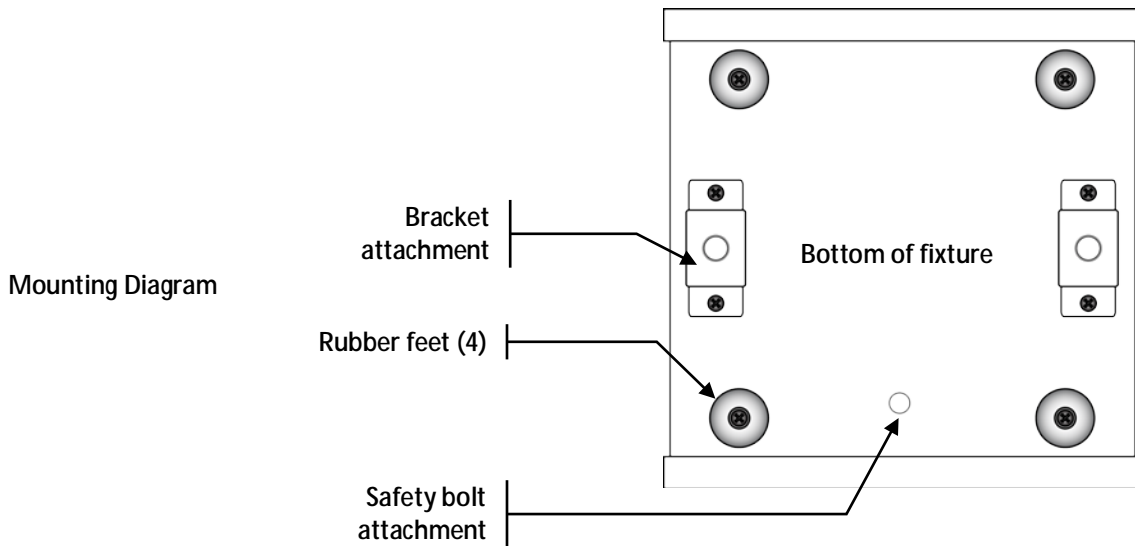
Make sure to mount the fixture securely to a rigging point, whether an elevated platform or a truss.

When rigging this product onto a truss, you should use a mounting clamp of appropriate weight capacity. The bracket has a 13 mm hole, which is appropriate for this purpose.

When mounting this product overhead, always use a safety cable.

Before deciding on a location for this product, always make sure that it will be easy to access the unit for maintenance and programming purposes.

When power linking multiple fixtures, you must always consider the length of the power linking cable and mount the fixtures close enough for the cable to reach them.



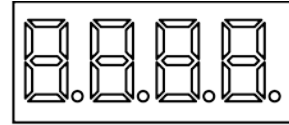


# 4. OPERATION

## Control Panel Operation

To access the control panel functions, use the four buttons located underneath the display.

Button	Function
<MODE/ESC>	Press to find an operation mode or to back out of the current menu option
<UP>	Press to scroll down the list of options or to find a higher value
<DOWN>	Press to scroll up the list of options or to find a lower value
<ENTER>	Press to activate a menu option or a selected value



## Menu Map

Mode	Programming Steps		Description
DMX Mode	d***	d001-512	Selects the DMX starting address
Operating Mode	NASL	SLoU	Automatic slow
	NAFA	FASt	Automatic fast
	NStS	SrUn	Sound-active mode
	SLAU	SonU	Slave mode
Pan Invert	Standard pan	PAN	Reverse the pan direction
	Inverted pan	rPAN	
Tilt Invert	Standard tilt	tit	Reverse the tilt direction
	Inverted tilt	rTit	
Display Invert	Standard display	dis	Use this function for hanging the product upside down
	Inverted display	rdis	
Personality	Advanced	15CH	Select the DMX personality
	Basic	6CH	
Pan Range	Pan 540°	PA54	Select the maximum pan range
	Pan 360°	PA36	
	Pan 180°	PA18	
Tilt Range	Tilt 270°	ti27	Select the maximum tilt range
	Tilt 180°	ti18	
	Tilt 90°	ti 9	
Reset	System reset	rESt	Reset all motors
Load Factory Defaults	Load default	LoAd	Use this to revert all settings for the fixture back to the factory-defaults values

---

## Hidden Menu Map

This fixture has a hidden menu. The purpose of this menu is to adjust the home position (electronic adjustment) of the attributes listed below.

Mode	Programming Steps		Description
<i>Pan adjustment</i>	<i>P***</i>	<b>P000~255</b>	Adjust the pan home position
<i>Tilt adjustment</i>	<i>t***</i>	<b>t000~255</b>	Adjust the tilt home position

### Accessing the Hidden Menu Map

- 1) Press and hold **<MODE/ESC>** for at least 10 seconds.
- 2) Use **<UP>** or **<DOWN>** to input the following access code: **2323**.
- 3) Press **<ENTER>**.

---

## Configuration (DMX)

Set this product in DMX mode to control it with a DMX controller.

- 1) Connect this product to a suitable power outlet.
- 2) Turn this product on.
- 3) Connect a DMX cable from the DMX output of the DMX controller to the DMX input socket of this product.

### Starting Address

When selecting a starting DMX address, always consider the number of DMX channels the selected DMX mode uses. If you choose a starting address that is too high, you could restrict the access to some of the fixture's channels.

The Intimidator™ Wash LED 150 uses up to 15 DMX channels in the advanced personality, which defines the highest configurable address to 497.

If you are not familiar with the DMX protocol, you may refer to the “DMX Primer” section in the *“Technical Information”* chapter.

To select the starting address, do the following:

- 1) Press **<MODE/ESC>** repeatedly until **d\*\*\*** shows on the display.
- 2) Press **<ENTER>**.
- 3) Use **<UP>** or **<DOWN>** to select the starting address.
- 4) Press **<ENTER>**.

## Configuration (Standalone Modes)

Set this product in one of the standalone modes to control it without a DMX controller.

- 1) Connect this product to a suitable power outlet.
- 2) Turn this product on.

### Sound-Active Mode

To enable the Sound-Active mode, do the following:

- 1) Press **<MODE/ESC>** repeatedly until one of the following shows on the display:  
**NASL, NAFA, NStS, SLAU.**
- 2) Use **<UP>** or **<DOWN>** to select **NStS**.
- 3) Turn the music on.
- 4) Press **<ENTER>**.



The fixture will only respond to the low frequencies of the music (bass and drums).

### Automatic Mode



**Never connect a fixture that is operating in any standalone mode, whether Static, Automatic, or Sound to a DMX string connected to a DMX controller. This is because fixtures in standalone mode may transmit DMX signals that could interfere with the DMX signals from the controller.**

To enable the Automatic Mode, follow the instructions below:

- 1) Press **<MODE/ESC>** repeatedly until one of the following shows on the display:  
**NASL, NAFA, NStS, SLAU.**
- 2) Use **<UP>** or **<DOWN>** to select **NAFA** (fast) or **NASL** (slow).
- 4) Press **<ENTER>**.

---

## Master/Slave Mode

This mode allows a single Intimidator™ Wash LED 150 unit (the “master”) to control the actions of one or more Intimidator™ Wash LED 150 units (the “slaves”) without the need of a DMX controller. The master unit will be set to operate in either Automatic or Sound-Active mode, while the slave units will be set to operate in Slave Mode. Once set and connected, the slave units will operate in unison with the master unit.

Configure the units as indicated below.

### Slave units:

- 1) Press **<MODE/ESC>** repeatedly until one of the following shows on the display:  
**NASL, NAFA, NStS, SLAU.**
- 2) Press **<ENTER>** to accept.
- 3) Set the DMX address to “001”, as previously explained.
- 5) Connect the DMX input of the first slave unit to the DMX output of the master unit.
- 6) Connect the DMX input of the subsequent slave units to the DMX output of the previous slave unit.
- 7) Finish setting and connecting all the slave units.

### Master unit:

- 1) Set the master unit to operate in either Automatic or Sound mode, as previously indicated.
- 2) Make the master unit the first unit in the DMX daisy chain.

- ***Configure all the slave units before connecting the master unit to the DMX daisy chain.***
- ***Never connect a DMX controller to a DMX string configured for Master/Slave operation because it may interfere with the signals from the master unit.***
- ***Do not connect more than 31 slave units to the master unit.***



## DMX Channel Assignments and Values

15-CH	Channel	Function	Value	Setting
	1	Pan	000 ó 255	0~540°
	2	Tilt	000 ó 255	0~270°
	3	Pan fine	000 ó 255	0~3°
	4	Tilt fine	000 ó 255	0~3°
	5	Pan/tilt speed	000 ó 255	Fast~slow
	6	Shutter/Dimmer	000 ó 127 128 ó 255	Dimmer Shutter
	7	Red	000 ó 255	0~100%
	8	Green	000 ó 255	0~100%
	9	Blue	000 ó 255	0~100%
	10	White	000 ó 255	0~100%
	11	Dimmer	000 ó 255	0~100%
	12	Color Macro	000 ó 007 No function 008 ó 021 RGBW 022 ó 035 Red 036 ó 049 Green 050 ó 063 Cyan 064 ó 077 White 078 ó 091 Macro 1 092 ó 105 Macro 2 106 ó 119 Macro 3 120 ó 133 Macro 4 134 ó 147 Macro 5 148 ó 161 Macro 6 162 ó 175 Macro 7 176 ó 189 Macro 8 190 ó 203 Macro 9 204 ó 217 Macro 10 218 ó 231 Macro 11 232 ó 255 Moveable macro	
	13	LED Speed	000 ó 255	Fast~slow
	14	Control	000 ó 007 No function 008 ó 027 Enable pan/tilt move-in-black 028 ó 047 Reserved 048 ó 067 Disable pan/tilt move-in-black 068 ó 087 Reserved 088 ó 107 Disable pan/tilt/ move-in-black 108 ó 127 Reserved 128 ó 147 Disable move-in-black 148 ó 167 Reset pan 168 ó 187 Reset tilt 188 ó 207 Reserved 208 ó 227 Reserved 228 ó 247 Reset all 248 ó 255 No function	
	15	Pan/tilt Movement macros	000 ó 007 No function 008 ó 023 Automatic movement 1 024 ó 039 Automatic movement 2 040 ó 055 Automatic movement 3 056 ó 071 Automatic movement 4 072 ó 087 Automatic movement 5 088 ó 103 Automatic movement 6 104 ó 119 Automatic movement 7 120 ó 135 Automatic movement 8 136 ó 151 Sound-active movement 1 152 ó 167 Sound-active movement 2 168 ó 183 Sound-active movement 3 184 ó 199 Sound-active movement 4 200 ó 215 Sound-active movement 5 216 ó 231 Sound-active movement 6 232 ó 247 Sound-active movement 7 248 ó 255 Sound-active movement 8	

## DMX Channel Assignments and Values (cont.)

6-CH	Channel	Function	Value	Setting
	1	Pan	000 ó 255	0~540°
	2	Tilt	000 ó 255	0~270°
	3	Shutter	000 ó 003 004 ó 007 008 ó 215 216 ó 255	Blackout Open Strobe (0.5~20 Hz) Open
	4	White	000 ó 255	0~100%
	5	Dimmer	000 ó 255	0~100%
	6	Color Macro	000 ó 007 008 ó 021 022 ó 035 036 ó 049 050 ó 063 064 ó 077 078 ó 091 092 ó 105 106 ó 119 120 ó 133 134 ó 147 148 ó 161 162 ó 175 176 ó 189 190 ó 203 204 ó 217 218 ó 231 232 ó 255	No function RGBW Red Green Cyan White Macro 1 Macro 2 Macro 3 Macro 4 Macro 5 Macro 6 Macro 7 Macro 8 Macro 9 Macro 10 Macro 11 Moveable macro

---

## 5. MAINTENANCE

### General Maintenance

Dust build up reduces light output performance and can cause overheating. This can lead to reduction of the light source's life and/or mechanical wear. To maintain optimum performance and minimize wear, you should clean your lighting fixtures at least twice a month. However, be aware that usage and environmental conditions could be contributing factors to increase the cleaning frequency.

To clean this fixture, follow the instructions below:

- Unplug the fixture from power.
- Wait until the fixture is at room temperature.
- Use a vacuum (or dry compressed air) and a soft brush to remove dust collected on the external surface/vents.
- Clean all external optics with a mild soap solution, ammonia-free glass cleaner, or isopropyl alcohol.
- Apply the solution directly to a soft, lint free cotton cloth or a lens cleaning tissue.
- Softly drag any dirt or grime to the outside of the external optics.
- Gently polish the external optics until they are free of haze and lint.



**Always dry the external optics carefully after cleaning them.**



**Do not spin the cooling fans using compressed air because you could damage them.**

# 6. TECHNICAL SPECIFICATIONS

## Dimensions and Weight

Length	Width	Height	Weight
8.3 in (211 mm)	8.2 in (207 mm)	10.5 in (267 mm)	7.6 lbs (3.4 kg)

**Note:** Dimensions in inches rounded to the nearest decimal digit.

## Power

Power Supply Type	Range	Voltage Selection
Switching (internal)	100~240 V, 50/60 Hz	Auto-ranging

Parameter	120 V, 60 Hz	230 V, 50 Hz (Europe only)
Consumption	110 W (0.9 A)	116 W (0.5 A)

Power I/O	Input	Output
Connectors	IEC	Edison (USA only)
Cord plug	Edison	N/A

## Light Source

Type	Quantity	Lifespan
Quad-color LED (40 W total)	1 (four color dies)	50,000 hours

Color Die	Power	Color Die Drive Current
Red	8.1 W	1.1 A
Green	15.2 W	1.1 A
Blue	11.5 W	1.1 A
White	11.5 W	1.1 A

## Photo Optic

Parameter	Value
Illuminance @ 1 m	2,926 lux
Illuminance @ 2 m	750 lux
Beam angle	22°
Field angle	45°

## Thermal

Maximum External Temp.	Cooling System
104° F (40° C)	Fan cooled

## DMX

I/O Connectors	Connector Type	Channel Range
3-pin XLR	Sockets	6, 15

## Ordering

Item Name	Item Code	Item No.
Intimidator™ Wash LED 150	08010177	INTIMWASHLED150

RoHS



UL 1573  
CSA C22.2 No. 166  
E113093





---

To return a product or request support:

- In the U.S., contact CHAUVET® World Headquarters (see below).
- In the UK or Ireland, contact CHAUVET® Europe Ltd. (see below).
- In any other country, DO NOT contact CHAUVET®. Contact your distributor. See [www.chauvetlighting.com](http://www.chauvetlighting.com) for distributors outside the U.S., United Kingdom, or Ireland.



**If you live outside the U.S., United Kingdom, or Ireland, contact your distributor of record and follow their instructions on how to return CHAUVET® products to them. Visit our website for contact details.**

## Returns

Call the corresponding CHAUVET® Technical Support office and request a Return Merchandise Authorization (RMA) number before shipping the product. Be prepared to provide the model number, serial number, and a brief description of the cause for the return.

You must send the merchandise prepaid, in its original box, and with its original packing and accessories. CHAUVET® will not issue call tags.

Clearly label the package with the RMA number. CHAUVET® will refuse any product returned without an RMA number.



**Write the RMA number on a properly affixed label. DO NOT write the RMA number directly on the box.**

Before sending the product, clearly write the following information on a piece of paper and place it inside the box:

- Your name
- Your address
- Your phone number
- RMA number
- A brief description of the problem

Be sure to pack the product properly. Any shipping damage resulting from inadequate packaging will be your responsibility. FedEx packing or double-boxing are recommended.



**CHAUVET® reserves the right to use its own discretion to repair or replace returned product(s).**

## Contact Us

### World Headquarters

CHAUVET®

#### General Information

Address: 5200 NW 108th Avenue  
Sunrise, FL 33351  
Voice: (954) 577-4455  
Fax: (954) 929-5560  
Toll free: (800) 762-1084

#### Technical Support

Voice: (954) 577-4455 (Press 4)  
Fax: (954) 756-8015  
Email: [tech@chauvetlighting.com](mailto:tech@chauvetlighting.com)

#### World Wide Web

[www.chauvetlighting.com](http://www.chauvetlighting.com)

### United Kingdom & Ireland

CHAUVET® Europe Ltd.

#### General Information

Address: Unit 1C  
Brookhill Road Industrial Estate  
Pinxton, Nottingham, UK  
NG16 6NT  
Voice: +44 (0)1773 511115  
Fax: +44 (0)1773 511110

#### Technical Support

Email: [uktech@chauvetlighting.com](mailto:uktech@chauvetlighting.com)

#### World Wide Web

[www.chauvetlighting.co.uk](http://www.chauvetlighting.co.uk)