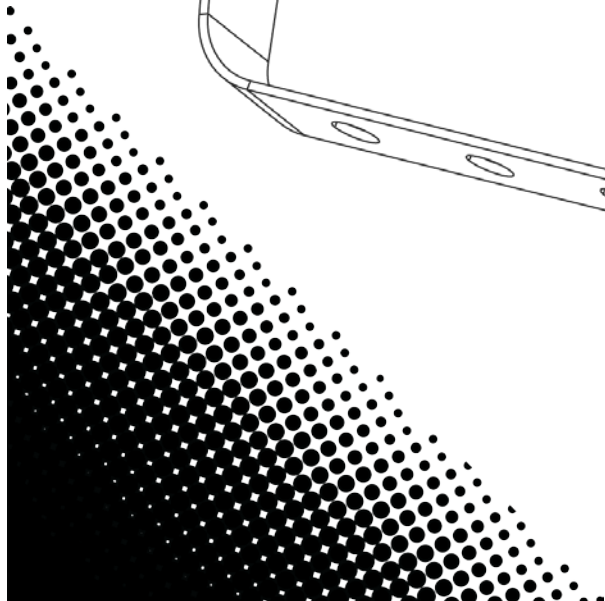
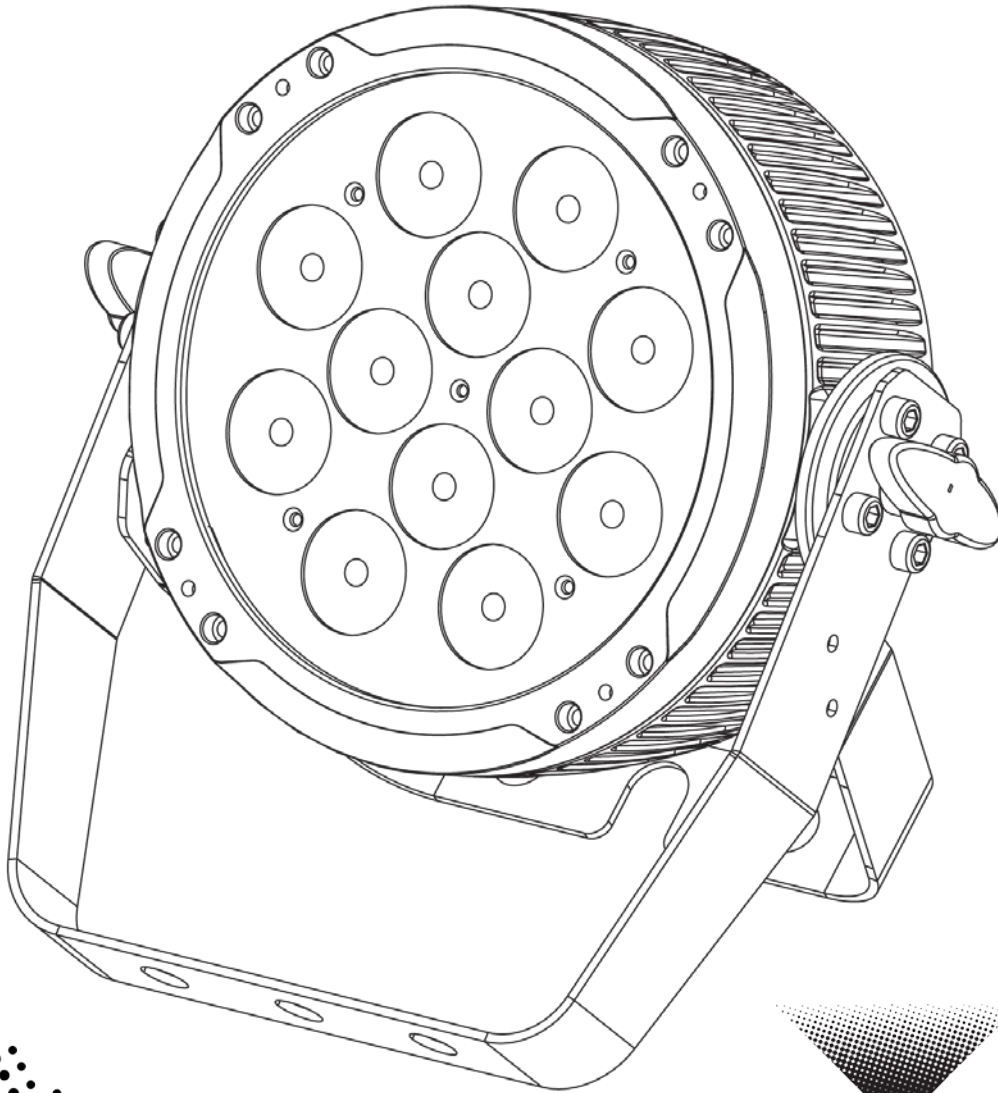


PIX™

PAR 12

User Manual



CHAUVET®

Value • Innovation • Performance

It's **Green** Thinking.™

TABLE OF CONTENTS

1. Before You Begin	3
What Is Included	3
Unpacking Instructions	3
Claims	3
Text Conventions	3
Icons	3
Document Information	3
Product at a Glance.....	4
Safety Notes	4
2. Introduction	5
Product Overview	5
Product Dimensions	6
3. Setup	7
AC Power	7
Fuse Replacement.....	7
Power Linking	8
Mounting	9
Orientation	9
Rigging	9
4. Operation	10
Control Panel Operation	10
Menu Map	10
Configuration (DMX).....	11
DMX Personalities and Starting Address.....	11
DMX Channel Assignments and Values.....	12
3-CH.....	12
9-CH.....	12
12-CH.....	13
36-CH.....	14
Configuration (Standalone).....	15
Static Color Mode	15
Automatic Mode.....	15
Custom Static Color Mode.....	15
Dimmer Adjustment.....	15
Master/Slave Mode	16
5. Technical Information	17
Product Maintenance	17
General Troubleshooting	18
Contact Procedure	19
CHAUVET® Contact Information.....	19
Returning Products to CHAUVET®.....	19
6. Technical Specifications	20

1. BEFORE YOU BEGIN

What Is Included

- 1 x PiX™ PAR 12
- 1 x Power Cord
- 1 x Warranty Card
- 1 x Quick Reference Guide

Unpacking Instructions

Immediately upon receipt, carefully unpack the product and check the container to make sure you have received all the parts indicated above in good condition.

Claims




If the container or the material inside the container (the product and included accessories) appear damaged from shipping, or show signs of mishandling, upon receipt notify the carrier immediately, not CHAUVET®. Failure to do so in a timely manner may invalidate your claim with the carrier. In addition, keep the container and all the packing material for inspection.

For other issues such as missing components or parts, damage not related to shipping, or concealed damage, file a claim with CHAUVET® within seven (7) days of receiving the merchandise.

Text Conventions

Convention	Meaning
1~512	A range of values
50/60	A set of values of which only one can be chosen
Settings	A menu option not to be modified
Menu > Settings	A sequence of menu options to be followed
<ENTER>	A key to be pressed on the product's control panel
ON	A value to be entered or selected

Icons

Icon	Meaning
	This paragraph contains critical installation, configuration, or operation information. Failure to comply with this information may render the product partially or completely inoperative, cause damage to the product, or cause harm to the user.
	This paragraph contains important installation or configuration information. Failure to comply with this information may prevent the product from functioning correctly.
	This paragraph reminds you of useful, although not critical, information.

Document Information

The information and specifications contained in this document are subject to change without notice. CHAUVET® assumes no responsibility or liability for any errors or omissions that may appear in this manual. CHAUVET® reserves the right to update the existing document or to create a new document to correct any errors or omissions.

You can download the latest version of this document from www.chauvetlighting.com.

© Copyright 2013 CHAUVET®. All rights reserved.

Electronically published by CHAUVET® in the United States of America.

Author	Date	Editor	Date
A. Leon	04/29/13	T.Yeago	04/29/13

Product at a Glance

Use on Dimmer	X	Auto Programs	P
Outdoor Use	X	Auto-ranging Power Supply	P
Sound Activated	P	Replaceable Fuse	P
DMX	P	User Serviceable	X
Master/Slave	P		

Safety Notes

Please read the following Safety Notes carefully before working with the product. The Notes include important safety information about installation, usage, and maintenance.



- Always connect the product to a grounded circuit to avoid the risk of electrocution.
- Always disconnect the product from the power source before cleaning or replacing the fuse.
- Avoid direct eye exposure to the light source while the product is on.
- Make sure the power cord is not crimped or damaged.
- Never disconnect the product from power cord by pulling or tugging on the cord.
- If mounting the product overhead, always secure to a fastening device using a safety cable.
- Make sure there are no flammable materials close to the product when operating.
- Do not touch the product's housing when operating because it may be very hot.



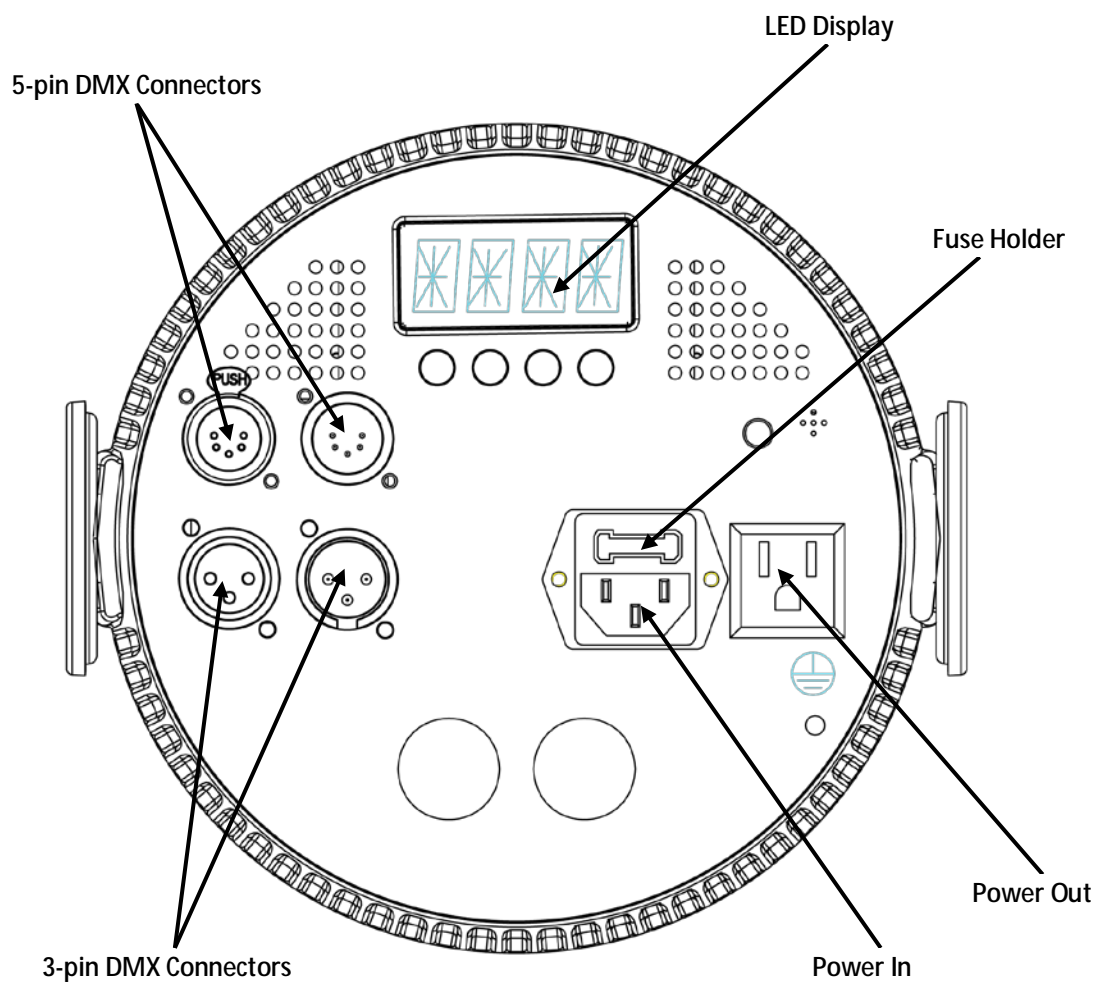
- Always make sure that the voltage of the outlet to which you are connecting the product is within the range stated on the decal or rear panel of the product.
- The product is for indoor use only! (IP20) To prevent risk of fire or shock, do not expose the product to rain or moisture.
- Always install the product in a location with adequate ventilation, at least 20 in (50 cm) from adjacent surfaces.
- Be sure that no ventilation slots on the product's housing are blocked.
- Never connect the product to a dimmer.
- Make sure to replace the fuse with another of the same type and rating.
- Never carry the product from the power cord or any moving part. Always use the hanging/mounting bracket or the handles.
- The maximum ambient temperature (Ta) is 104° F (40° C). Do not operate the product at higher temperatures.
- In the event of a serious operating problem, stop using the product immediately.
- Never try to repair the product. Repairs carried out by unskilled people can lead to damage or malfunction. Please contact the nearest authorized technical assistance center.



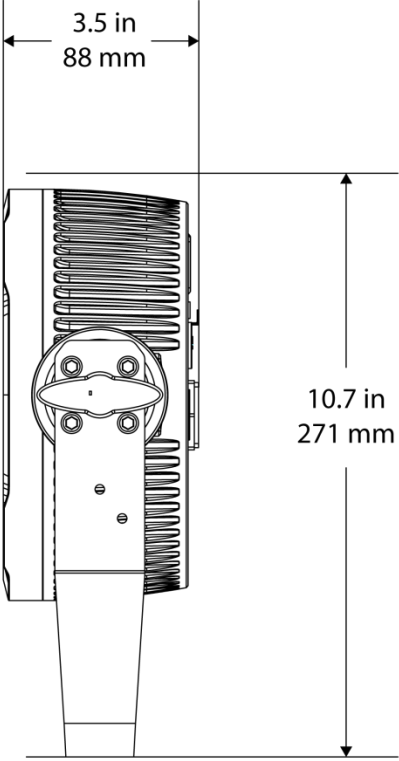
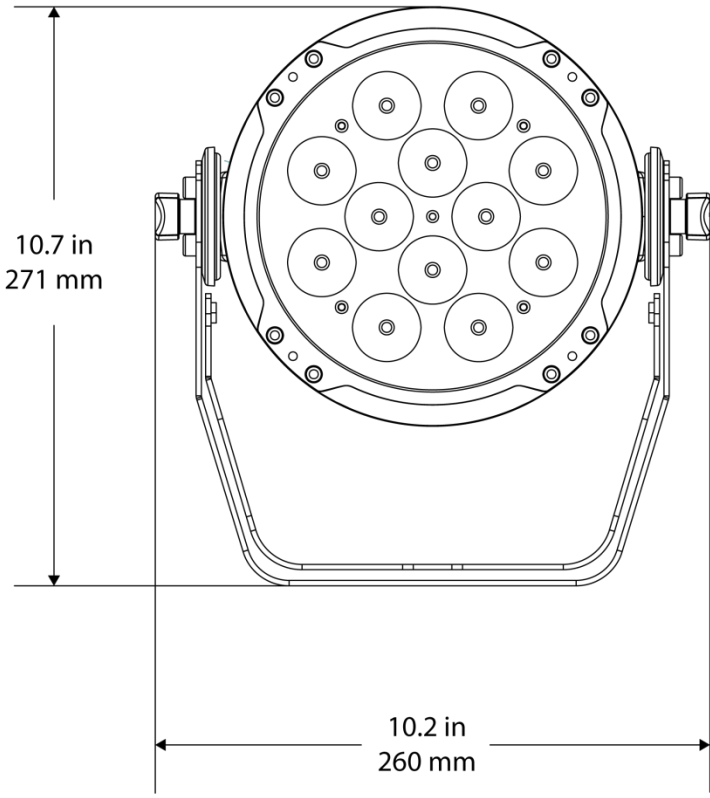
- Keep this User Manual for future consultation. If you sell the product to another user, be sure that they also receive this document.

2. INTRODUCTION

Product Overview



Product Dimensions



3. SETUP

AC Power The PiX™ PAR 12 has an auto-ranging power supply and it can work with an input voltage range of 100–240 VAC, 50/60 Hz.

To determine the product's power requirements (circuit breaker, power outlet, and wiring), use the current value listed on the label affixed to the product's back panel, or refer to the product's specifications chart. The listed current rating indicates the product's average current draw under normal conditions.



Always connect the product to a protected circuit (circuit breaker or fuse). Make sure the product has an appropriate electrical ground to avoid the risk of electrocution or fire.



Never connect the product to a rheostat (variable resistor) or dimmer circuit, even if the rheostat or dimmer channel serves only as a 0 to 100% switch.

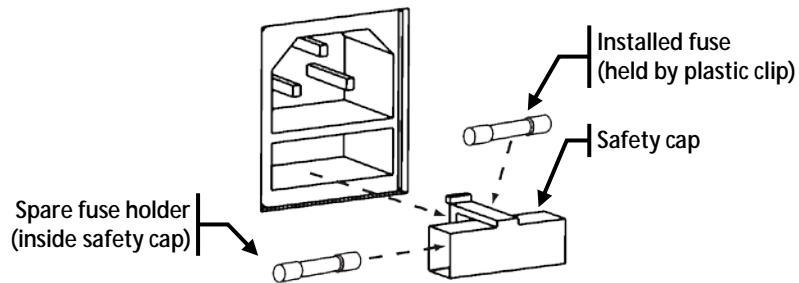
Fuse Replacement

Follow the instructions below to change the fuse, if necessary.



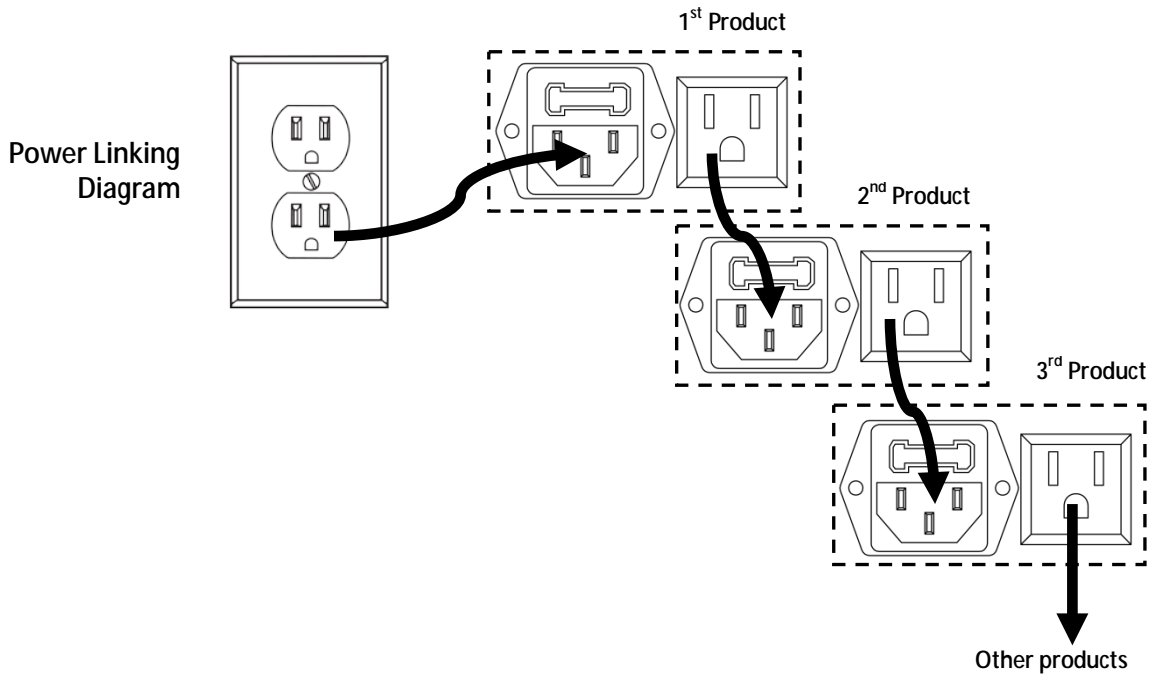
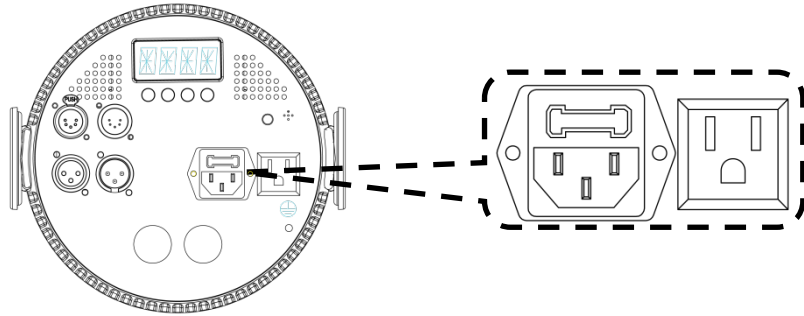
Disconnect the product from the power outlet before replacing the fuse.


1. Wedge the tip of a flat head screwdriver into the slot of the fuse holder.
2. Pry the fuse holder out of the housing.
3. Remove the blown fuse from the holder and replace with a fuse of the exact same type and rating.
4. Insert the fuse holder back in place and reconnect power.



The product does not ship with a spare fuse; however, the safety cap has room for a spare.

Power Linking The product provides power linking via the IEC outlet located in the back of the unit. Please see the diagram below for further explanation.



 You can power link up to ten (10) PiX™ PAR 12 units on 120 VAC or up to eighteen (18) PiX™ PAR 12 units on 230 VAC.



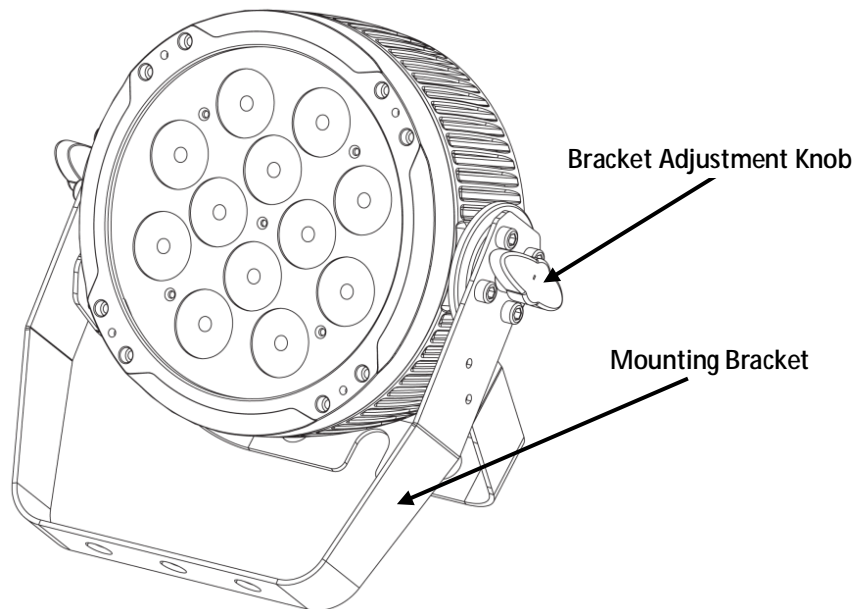
The power linking diagram shown above corresponds to the North American version of the product **ONLY!** If using the product in other markets, you must consult with the local CHAUVET® distributor as power linking connectors and requirements may differ in your country or region.

Mounting Before mounting the product, read and follow the safety recommendations indicated in the *Safety Notes* section (page 2 of this manual).

Orientation The PiX™ PAR 12 may be mounted in any position; however, make sure adequate ventilation is provided around the product.

- Rigging**
- Before deciding on a location for the product, always make sure there is easy access to the product for maintenance and programming purposes.
 - Make sure that the structure or surface onto which you are mounting the product can support the product's weight. Please see the *Technical Specifications* section of this manual for weight information.
 - When mounting the product overhead, always use a safety cable. Mount the product securely to a rigging point, whether an elevated platform or a truss.
 - When rigging the product onto a truss, you should use a mounting clamp of appropriate weight capacity. The bracket has a 13 mm hole, which is appropriate for this purpose.
 - When power linking multiple products, you must always consider the length of the power linking cable and mount the products close enough for the cable to reach.
 - The bracket adjustment knobs allow for directional adjustment when aiming the product to the desired angle. Only loosen or tighten the bracket knobs manually. Using tools could damage the knobs.
 - The double bracket yoke/mounting brackets/rubber feet/metallic feet also serve as floor supports/allow for surface mounting. When mounting the product on the floor, make sure that the product and cables are away from people and vehicles.

Mounting Diagram



4. OPERATION

Control Panel Operation

To access the control panel functions, use the four buttons located underneath the display. Please refer to the Product Overview to see the button locations on the control panel.

Button	Function
<MENU>	Press to find an operation mode or to back out of the current menu option
<UP>	Press to scroll up the list of options or to find a higher value
<DOWN>	Press to scroll down the list of options or to find a lower value
<ENTER>	Press to activate a menu option or a selected value



After you use the <UP> and <DOWN> buttons, press <ENTER> to set the selected value. Otherwise, the menu function or value defaults back to its previous setting

Menu Map

Mode	Programming Steps	Description	
Static Colors	C--	C1	Red
		C2	Green
		C3	Blue
		C4	Cyan
		C5	Magenta
		C6	Yellow
		C7	White
Auto Programs	P--	P1	7 Color Fading
		P2	7 Color Switching
		P3	7 Color Pop and Fade
		P4	7 Color Blend
		P5	Chase Program
		P6	Pixel Program
		P7	Pixel Program Sound Active
Program Speed	S--	S001-S100	Selects auto program speed
Custom Color Mixing	U--	r--	Red
		g--	Green
		b--	Blue
		S--	Strobe rate
Dimmer	DIM	OFF	Change dimmer speed
		DIM1	
		DIM2	
		DIM3	
DMX Personalities	3-CH	d001-d512	Selects DMX starting address and personality
	9-CH		
	12CH		
	36CH		

Configuration (DMX)

Set the product in DMX mode to control with a DMX controller.

1. Connect the product to a suitable power outlet.
2. Turn the product on.
3. Connect a DMX cable from the DMX output of the DMX controller to the DMX input socket on the product.

DMX Personalities and Starting Address

The PiX™ PAR 12 has four DMX personalities, from a 3-channel mode for basic control to a 36-channel mode with more advanced control over the lights.

The PiX™ PAR 12 uses up to 36 DMX channels in its 36-channel DMX mode, which defines the highest configurable address to **477**.

When selecting a starting DMX address, always consider the number of DMX channels the selected DMX mode uses. If you choose a starting address that is too high, you could restrict the access to some of the product's channels.

If you are not familiar with the DMX protocol, you may refer to the DMX Primer at www.chauvetlighting.com.

To select the DMX personality, do the following:

1. Press **<MENU>** repeatedly until **3-CH**, **9-CH**, **12CH**, or **36CH** shows on the display.
2. Press **<ENTER>** to choose your DMX personality when it appears on the display.

To then choose your starting address:

1. The display should show **d 1** once you've selected your DMX personality using the steps above.
2. Use **<UP>** or **<DOWN>** to select the starting address.
3. Press **<ENTER>**.

DMX Channel Assignments and Values

3-CH	Channel	Function	Value	Setting
	1	Red	000 ó 255	0-100%
	2	Green	000 ó 255	0-100%
	3	Blue	000 ó 255	0-100%

9-CH	Channel	Function	Value	Setting
	1	Dimmer	000 ó 255	0-100%
	2	Red	000 ó 255	0-100%
	3	Green	000 ó 255	0-100%
	4	Blue	000 ó 255	0-100%
	5	Color Macros	000 ó 010	No function
			011 ó 200	Color Macros
			201 ó 205	White 1: 3200K
			206 ó 210	White 2: 3400K
			211 ó 215	White 3: 4200K
			216 ó 220	White 4: 4900K
			221 ó 225	White 5: 5600K
			226 ó 230	White 6: 5900K
			231 ó 235	White 7: 6500K
			236 ó 240	White 8: 7200K
			241 ó 245	White 9: 8000K
	246 ó 250	White 10: 8500K		
	251 ó 255	White 11: 10000K		
	6	Strobe	000 ó 009	No function
			010 ó 255	0-30 Hz

Continued on next page

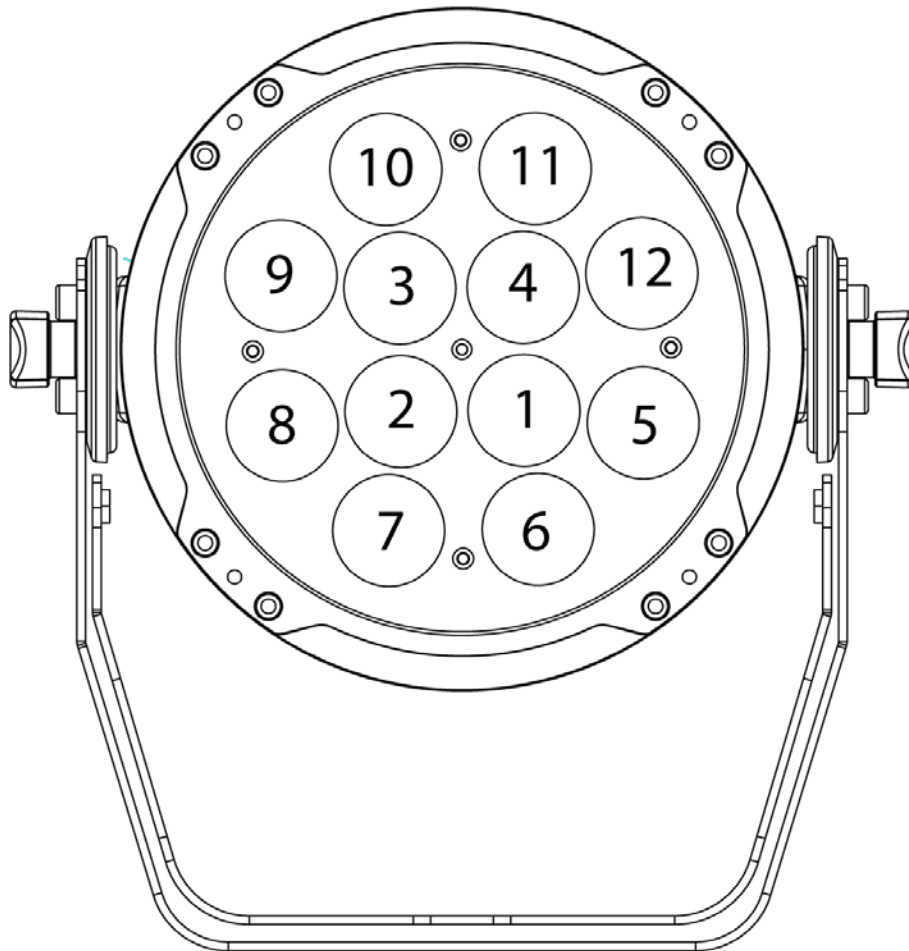
Continued from previous page

Channel	Function	Value	Setting
7	Auto Programs	000 ó 009	No function
		010 ó 019	Fade transition (7 colors) 0%-100%-0%
		020 ó 029	Fade transition (7 colors) 0%-100%
		030 ó 039	Fade transition (7 colors) 100%-0%
		040 ó 049	Auto fade transition (random)
		050 ó 059	Loop of P1-P4
		060 ó 069	Pixel program 1
		070 ó 079	Pixel program 2
		080 ó 089	Pixel program 3
		090 ó 099	Pixel program 4
		100 ó 109	Pixel program 5
		110 ó 119	Pixel program 6
		120 ó 129	Pixel program 7
		130 ó 139	Pixel program 8
		140 ó 149	Pixel program 9
		150 ó 159	Pixel program 10
		160 ó 169	Pixel program 11
		170 ó 179	Pixel program 12
		180 ó 189	Pixel program 13
		190 ó 199	Pixel program 14
200 ó 209	Pixel program 15		
210 ó 219	Pixel program 16		
220 ó 229	Pixel program 17		
230 ó 239	Random pixel program		
240 ó 249	Pixel program scroll 1-17		
250 ó 255	Pixel program scroll sound active 1-17		
8	Auto Program Speed	000 ó 255	Slow to fast (when Ch. 7 is between 010-249)
9	Dimmer Curve	000 ó 051	Default speed
		052 ó 101	Linear dimmer
		102 ó 152	Nonlinear dimmer 1
		153 ó 203	Nonlinear dimmer 2
		204 ó 255	Nonlinear dimmer 3

12-CH	Channel	Function	Value	Setting	Quadrant
	1	Red	000 ó 255	0-100%	1
	2	Green	000 ó 255	0-100%	
	3	Blue	000 ó 255	0-100%	
	4	Red	000 ó 255	0-100%	2
	5	Green	000 ó 255	0-100%	
	6	Blue	000 ó 255	0-100%	
	7	Red	000 ó 255	0-100%	3
	8	Green	000 ó 255	0-100%	
	9	Blue	000 ó 255	0-100%	
	10	Red	000 ó 255	0-100%	4
	11	Green	000 ó 255	0-100%	
	12	Blue	000 ó 255	0-100%	

36-CH

Channel	Function	Value	Setting	LED
1	Red	000 ◊ 255	0-100%	1
2	Green	000 ◊ 255	0-100%	
3	Blue	000 ◊ 255	0-100%	
4	Red	000 ◊ 255	0-100%	2
5	Green	000 ◊ 255	0-100%	
6	Blue	000 ◊ 255	0-100%	
...	
...	
...	
34	Red	000 ◊ 255	0-100%	12
35	Green	000 ◊ 255	0-100%	
36	Blue	000 ◊ 255	0-100%	



Configuration (Standalone)

Set the product in one of the standalone modes to control without a DMX controller.

1. Connect the product to a suitable power outlet.
2. Turn the product on.



Never connect a product that is operating in any standalone mode (Static, Automatic, or Sound) to a DMX string connected to a DMX controller. Products in standalone mode may transmit DMX signals that could interfere with the DMX signals from the controller.

Static Color Mode

To enable the Static Color Mode, do the following:

1. Press **<MENU>** repeatedly until **C--** shows on the display.
2. Press **<ENTER>**.
3. Use **<UP>** or **<DOWN>** to choose a color (**C1-C7**).
4. Press **<ENTER>**.

Automatic Mode

To enable the Automatic Mode, follow the instructions below:

1. Press **<MENU>** repeatedly until **P--** shows on the display.
2. Press **<ENTER>**.
3. Use **<UP>** or **<DOWN>** to choose your auto program (**P1-P7**).
4. Press **<ENTER>**.

You can adjust the speed of the automatic program as well.

1. Press **<MENU>** repeatedly until **S--** shows on the display.
2. Press **<ENTER>**.
3. Use **<UP>** or **<DOWN>** to adjust the duration of each step of the automatic program from **S001** (slow) to **S100** (fast).
4. Press **<ENTER>**.

Custom Static Color Mode

To enable the Custom Static Color Mode, follow the instructions below:

1. Press **<MENU>** repeatedly until **U--** shows on the display.
2. Press **<ENTER>** to choose between colors (**r--**, **g--**, **b--**).
3. Press **<UP>** or **<DOWN>** to choose the intensity of the color (**000-100**).
4. Repeat the steps to mix additional colors to create the color you need.
5. Press **<ENTER>**.

You can also manually adjust the strobe rate. To do so, do the following:

1. Press **<MENU>** repeatedly until **U--** shows on the display.
2. Press **<ENTER>** until **S--** shows on the display.
3. Press **<UP>** or **<DOWN>** to choose the strobe rate (**S 0-S 20**).
4. Press **<ENTER>** once you have chosen your desired strobe rate.

Dimmer Adjustment

You can manually control the dimmer speed to suit any need. To set up your preferred dimmer speed, do the following:

1. Press **<MENU>** repeatedly until **dIM** shows on the display.
2. Press **<ENTER>**.
3. Use **<UP>** or **<DOWN>** to choose between the dimming types (**OFF-DIM3**).
4. Press **<ENTER>**.

Master/Slave Mode

The Master/Slave mode allows a single PiX™ PAR 12 unit (the “master”) to control the actions of one or more PiX™ PAR 12 units (the “slaves”) without the need of a DMX controller. The master unit will be set to operate in an automatic mode, while the slave units will be set to operate in slave mode. Once set and connected, the slave units will operate in unison with the master unit.

Configure the units as indicated below.

Slave units:

1. Press **<MENU>** repeatedly until **3-CH, 9-CH, 12CH,** or **36CH** shows on the display. The slave unit will operate regardless of DMX personality.
2. Press **<ENTER>** to accept.
3. Set the DMX address to **001**.
4. Connect the DMX input of the first slave unit to the DMX output of the master unit.
5. Connect the DMX input of the subsequent slave units to the DMX output of the previous slave unit.
6. Finish setting and connecting all the slave units.

Master unit:

1. Set the master unit to operate in Static Color Mode, Automatic or Custom Static Color mode.
2. Make the master unit the first unit in the DMX daisy chain.



- **Configure all the slave units before connecting the master unit to the DMX daisy chain.**
- **Never connect a DMX controller to a DMX string configured for Master/Slave operation because the controller may interfere with the signals from the master unit.**
- **Do not connect more than 31 slave units to the master unit.**

5. TECHNICAL INFORMATION

Product Maintenance

Dust build-up reduces light output performance and can cause overheating. This can lead to reduction of the light source's life. To maintain optimum performance and minimize wear, you should clean your lighting products at least twice a month. However, be aware that usage and environmental conditions could be contributing factors to increase the cleaning frequency.

To clean the product, follow the instructions below:

- Unplug the product from power.
- Wait until the product is at room temperature.
- Use a vacuum (or dry compressed air) and a soft brush to remove dust collected on the external surface/vents.
- Clean all glass/transparent surfaces with a mild soap solution, ammonia-free glass cleaner, or isopropyl alcohol.
- Apply the solution directly to a soft, lint-free cotton cloth or a lens cleaning tissue.
- Softly wipe any dirt or grime to the outside edge of the glass/transparent surface.
- Gently polish the glass/transparent surfaces until they are free of haze and lint.



Always dry the glass/transparent surfaces carefully after cleaning them.

General Troubleshooting

Symptom	Possible Cause	Possible Action
Circuit breaker or fuse keeps blowing	Excessive load on the circuit	Make sure that the total load does not exceed 80% of the breaker or fuse nominal current
	Short circuit along the power lines	Check the power lines and power cords
Product does not power up	No energy on power outlet	Check power outlet Change to another outlet
	Loose or damaged power cord	Check the power cord
	Blown fuse	Replace blown fuse with a good one of the same type and rating
	Internal problem	Send product for repair
Product does not respond to DMX	Wrong starting address on the product	Set the correct starting address on the product Use the right fader(s) on the controller
	Wrong DMX personality on the product	Set the correct DMX product's personality Assign the faders accordingly
	Wrong polarity setting on the DMX controller	Change the signal polarity on the controller
	Loose or damaged DMX cable	Check the DMX cable before the faulty unit
	Internal problem	Send product for repair
Intermittent DMX Problems	Signal cables are not DMX compatible	Replace non DMX cables with true DMX cables
	Interference with AC or radio signals	Keep DMX cables away from AC wires or radio equipment
	DMX cable too long	Install an optically coupled DMX amplifier right before the product with intermittent problems
	Too many products connected	Install an optically coupled DMX amplifier after unit #32
	Terminator not connected	Install a terminator, as indicated in the <i>DMX Primer</i> section.



If you still experience problems after trying the above solutions, contact CHAUVET® Technical Support.

Contact Procedure

In case you need to return a product or request support, follow the procedure below:

- If you live in the U.S., contact CHAUVET® World Headquarters (see below).
- If you live in the UK or Ireland, contact CHAUVET® Europe Ltd. (see below).
- If you live in any other country, DO NOT contact CHAUVET®. Instead, contact your distributor of record. Refer to our website for contact details of distributors outside the U.S., United Kingdom, or Ireland.

CHAUVET® Contact Information

World Headquarters

CHAUVET®

General Information

Address: 5200 NW 108th Avenue
Sunrise, FL 33351
Voice: (954) 929-1115
Fax: (954) 929-5560
Toll free: (800) 762-1084

Technical Support

Voice: (954) 929-1115 (Press 4)
Fax: (954) 756-8015
Email: tech@chauvetlighting.com

World Wide Web

www.chauvetlighting.com

United Kingdom & Ireland

CHAUVET® Europe Ltd.

General Information

Address: Unit 1C
Brookhill Road Industrial Estate
Pinxton, Nottingham, UK
NG16 6NT
Voice: +44 (0)1773 511115
Fax: +44 (0)1773 511110

Technical Support

Email: uktech@chauvetlighting.com

World Wide Web

www.chauvetlighting.co.uk



If you live outside the U.S., United Kingdom, or Ireland, contact your distributor of record and follow their instructions on how to return CHAUVET® products to them. Visit our website for contact details.

Returning Products to CHAUVET®

Call the corresponding CHAUVET® Tech Support office and request a Return Merchandise Authorization (RMA) number before shipping the product. Be prepared to provide the model number, serial number, and a brief description of the cause for the return.

You must send the merchandise prepaid, in its original box, and with its original packing and accessories. CHAUVET® will not issue call tags.

Clearly label the package with the RMA number. CHAUVET® will refuse any product returned without an RMA number.



Write the RMA number on a properly affixed label. DO NOT write the RMA number directly on the box.

Before sending the product, clearly write the following information on a piece of paper and place it inside the box:

- Your name
- Your address
- Your phone number
- The RMA number
- A brief description of the problem

Be sure to pack the product properly. Any shipping damage resulting from inadequate packaging will be your responsibility. FedEx packing or double-boxing are recommended.



CHAUVET® reserves the right to use its own discretion to repair or replace returned product(s).

6. TECHNICAL SPECIFICATIONS

Dimensions and Weight	Length	Width	Height	Weight
	10.7 in (271 mm)	10.2 in (260 mm)	3.5 in (88 mm)	6.9 lbs (3.1 kg)
Note: Dimensions in inches rounded to the nearest decimal digit.				
Power	Power Supply Type	Range	Voltage Selection	
	Switching (internal)	100~240 V, 50/60 Hz	Auto-ranging	
	Parameter	120 V, 60 Hz	230 V, 50 Hz	
	Consumption	92 W	96 W	
	Operating	0.8 A	0.4 A	
Power I/O	Power I/O	US/Worldwide	UK/Europe	
	Power input connector	Locking IEC	Locking IEC	
	Power output connector	Edison	IEC	
Light Source	Type	Power	Lifespan	
	LED	3 W	50,000 hours	
	Color	Quantity	Current	
Photo Optic	Tri-color	12	350 mA (x3)	
	Parameter	Measurement		
	Illuminance @ 2 m	3,091 lux		
	Strobe Rate	0-30 Hz		
Thermal	Beam angle	20°		
	Field angle	34°		
	Maximum External Temp.	Cooling System		
104° F (40° C)	Convection			
DMX	I/O Connectors	Connector Type	Channel Range	
	3-pin and 5-pin XLR	Sockets	3, 9, 12, 36	
Ordering	Product Name	Item Code	Item Number	
	PiX™ PAR 12	03020467	PIXPAR12	

