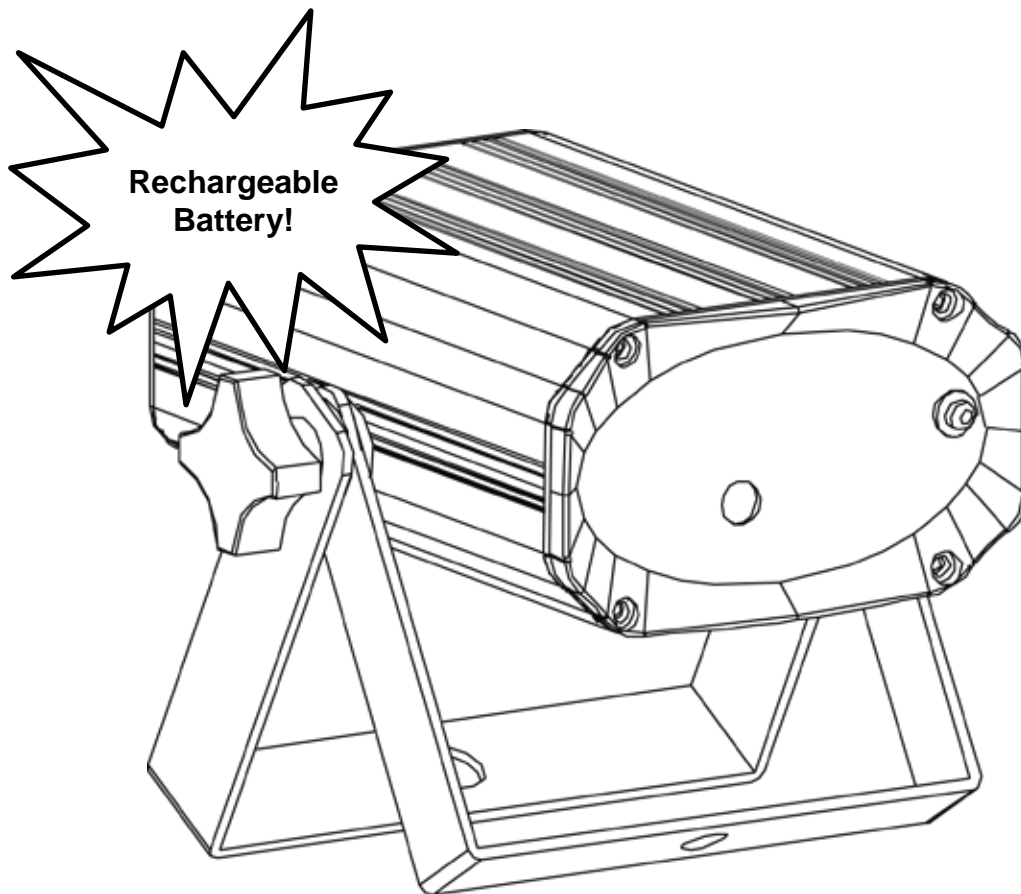


EZ LASER
RB

EZ LASER
RGFX

User Manual

English
Español
Français



LASER LIGHT
AVOID DIRECT EYE EXPOSURE
CLASS 3R LASER PRODUCT
CLASSIFIED PER EN/IEC 60825-1:2007
Complies with FDA performance standards for
laser products except for deviations pursuant
to Laser Notice No. 50, dated June 24, 2007.

CHAUVET

TABLE OF CONTENTS

1. Before You Begin	3
Laser Safety Label Reproduction	6
Laser Emission Data	7
2. Introduction	8
Overview.....	8
Dimensions.....	9
3. Setup	10
4. Operation	13
Manual Mode.....	13
Wireless Infrared Remote Control (IRC-6)	13
5. Technical Information	14
6. Technical Specifications	15
Returns	16
1. Antes De Empar	17
Reproducción de la Etiqueta de Seguridad del Láser	21
Datos de Emisión Láser	22
2. Introducción	23
Vista General.....	23
Dimensiones.....	24
3. Instalación	25
4. Funcionamiento	28
Modo manual.....	28
Control remoto inalámbrico por infrarrojos (IRC-6).....	28
5. Información Técnica	29
6. Especificaciones Técnicas	30
DEVOLU-CIONES	31
1. Avant de Commencer	32
Reproductions des Etiquettes en Matière de Sécurité des Appareils Laser	37
Données d'Emission Laser	38
2. Introduction	39
Vue d'ensemble.....	39
Dimensions.....	40
3. Installation	41
4. Fonctionnement	44
Mode Manuel.....	44
Télécommande Sans Fil (IRC-6).....	44
5. Informations Techniques	45
6. Spécifications Techniques	46
RENVOIS	47
Contact Us	48

1. BEFORE YOU BEGIN

What is Included

- EZ Laser RGFY/RB
- External power supply
- Hanging bracket with mounting hardware
- IRC-6 remote
- Warranty card
- User Manual

Unpacking Instructions

Carefully unpack the product immediately and check the box to make sure all the parts are in the package and are in good condition.

Claims




If the box or the contents (the product and included accessories) appear damaged from shipping or show signs of mishandling, notify the carrier immediately, not Chauvet. Failure to do so in a timely manner may invalidate your claim with the carrier. In addition, keep the container and all the packing material for inspection.

For other issues, such as missing components or parts, damage not related to shipping, or concealed damage, file a claim with Chauvet within 7 days of delivery.

Manual Conventions

Convention	Meaning
1—512	A range of values
50/60	A set of values of which only one can be chosen
Settings	A menu option not to be modified
Menu > Settings	A sequence of menu options to be followed
ENTER	A key to be pressed on the product's control panel
ON	A value to be entered or selected

Symbols

Symbol	Meaning
	Critical installation, configuration, or operation information. Ignoring this information can cause the product to not work, damage it, or cause harm to the operator.
	Important installation or configuration information. The product may not function correctly if this information is not used.
	Useful information.

Disclaimer

Chauvet believes that the information contained in this manual is accurate in all respects. However, Chauvet assumes no responsibility and specifically disclaims any and all liability to any party for any loss, damage or disruption caused by any errors or omissions in this document, whether such errors or omissions result from negligence, accident or any other cause. Chauvet reserves the right to revise the content of this document without any obligation to notify any person or company of such revision, however, Chauvet has no obligation to make, and does not commit to make, any such revisions. Download the latest version from www.chauvetlighting.com.

The works of authorship contained in this manual, including, but not limited to, all design, text and images are owned by Chauvet.

© Copyright 2015 Chauvet & Sons, LLC. All rights reserved.

Electronically published by Chauvet in the United States of America.

CHAUVET, the Chauvet logo and EZ Laser RGFY/RB are registered trademarks or trademarks of Chauvet & Sons LLC. (d/b/a Chauvet and Chauvet Lighting) in the United States and other countries. Other company and product names and logos referred to herein may be trademarks of their respective companies.

Safety Notes

The Safety Notes include important laser system safety information. Read and understand all instructions before powering on the laser for the first time. Knowing these safety instructions is crucial to avoiding laser eye injury and breaking the law. Keep this User Manual in a safe place for future reference.



STOP AND READ ALL LASER SAFETY DATA



- **Lasers can be hazardous and have unique safety considerations. Permanent eye injury and blindness are possible if lasers are used incorrectly. Pay close attention to each safety REMARK and WARNING statement in this User Manual. Read all instructions carefully BEFORE operating this device.**
- Always connect the product to a grounded circuit to avoid the risk of electrocution.
- Always disconnect the product from the power source before cleaning.
- Avoid direct eye exposure to the light source while the product is on.
- Make sure the power cord is not crimped or damaged.
- Never disconnect the product from power by pulling or tugging on the cord.
- If mounting the product overhead, always secure to a fastening device using a safety cable.
- Make sure there are no flammable materials close to the product when operating.
- Do not touch the product's housing when operating because it may be very hot.
- Do not remove the bracket at any time. This product is intended to be used with its bracket.



- **This product is not intended for permanent installation.**
- Always make sure that the voltage of the outlet to which you are connecting the product is within the range stated on the decal or rear panel of the product.
- The product is for indoor use only! (IP20) To prevent risk of fire or shock, do not expose the product to rain or moisture.
- Always install the product in a location with adequate ventilation, at least 20 in (50 cm) from adjacent surfaces.
- Be sure that no ventilation slots on the product's housing are blocked.
- Never connect the product to a dimmer.
- Always use the mounting bracket to carry the product.
- Do not switch the product on/off in short intervals. This will reduce the laser diode life.
- Do not shake this product. Avoid brute force when mounting or operating this product.
- ALWAYS use a safety cable when mounting the product overhead.
- The ambient operating temperature for the laser is 59 °F to 95 °F (15 °C to 35 °C). Do not operate this product outside this range.
- In the event of a serious operating problem, stop using the product immediately.
- Never try to repair the product. Repairs carried out by unskilled people can lead to damage or malfunction. Contact the nearest authorized technical assistance center.
- To eliminate wear and improve its lifespan, during periods of non-use completely disconnect from power via breaker or by unplugging it.



- Avoid direct eye contact with laser light. Never intentionally expose your eyes or others to direct laser light.
- This laser product can potentially cause instant eye injury or blindness if laser light directly strikes the eyes.
- It is illegal and dangerous to shine this laser into audience areas, where the audience or other personnel could get direct laser beams or bright reflections into their eyes.
- It is a U.S. federal offense to shine any laser at aircraft.
- Use of controls, adjustments, or procedures other than those specified in this User Manual may result in hazardous radiation exposure.
- Do not attempt any repairs. Repairs and servicing must be carried out by a certified technician. **Unauthorized modifications are forbidden for safety reasons!**



- Keep this User Manual for future consultation. If transferring ownership of the product to another user, be sure this document is kept with the laser.

Non-Interlocked Housing Warning

- This unit contains high power laser devices internally.
- Do not open the laser housing, due to potential exposure to unsafe levels of laser radiation.
- The laser power levels, accessible if the unit is opened, can cause instant blindness, skin burns, and fires.

Laser Safety Notes



STOP AND READ ALL THE LASER SAFETY NOTES BELOW



Laser light is different from any other light sources. The light from this product can potentially cause eye injury if the product is not set up and used properly. Laser light is thousands of times more concentrated than light from any other kind of light source. This concentration of light can cause instant eye injuries, primarily by burning the retina (the light-sensitive portion at the back of the eye). Even if you cannot feel “heat” from a laser beam, it can still potentially injure or blind you or your audience. Even very small amounts of laser light are potentially hazardous—even at long distances. Laser eye injuries can happen faster than you can blink.

DO NOT assume that because laser entertainment products split the laser into hundreds of beams and that the laser beam is scanned out in high speed, that an individual laser beam is safe for eye exposure. This laser product uses dozens of milliwatts of laser power (Class 3B levels internally) before it splits into multiple beams (Class 3R levels). Many of the individual beams are potentially hazardous to the eyes.





DO NOT assume that because the laser light is moving, it is safe. Laser light is never without risk, nor do the laser beams always move. Since eye injuries can occur instantly, it is critical to prevent the possibility of ANY direct eye exposure. According to laser safety regulations, it is not legal to aim Class 3R lasers into areas where people can get exposed. This is true even if the laser is aimed below people’s faces, such as on a dance floor.

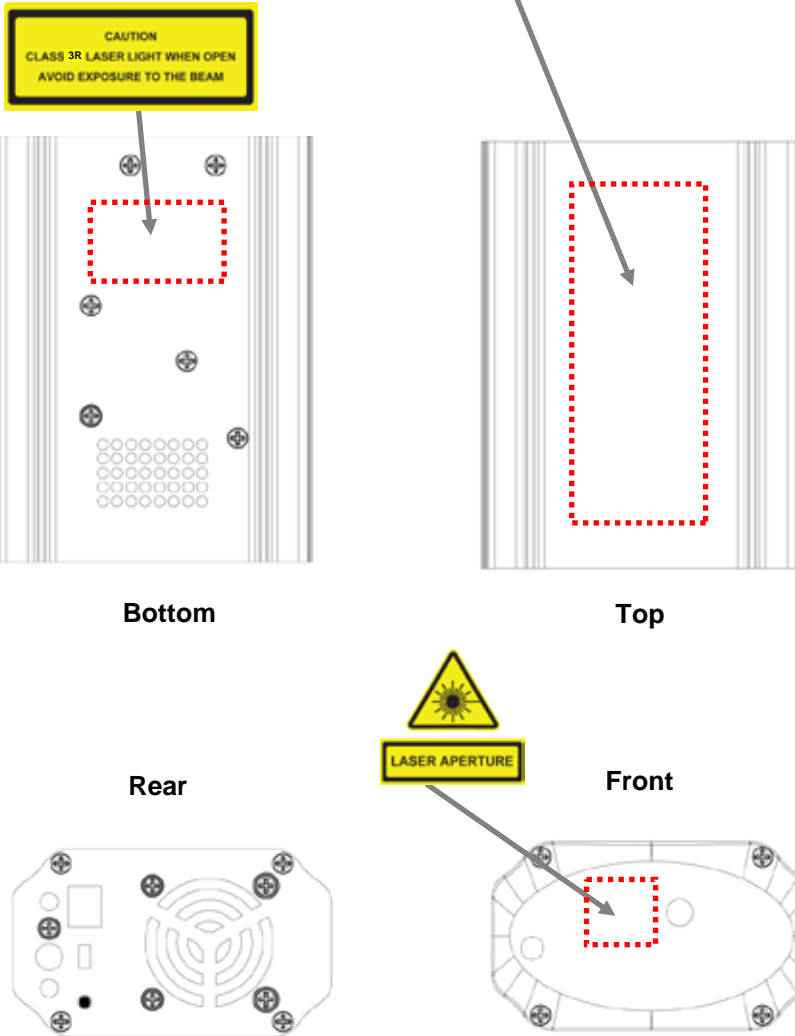
- Do not operate the laser without first reading and understanding all safety and technical data in this manual.
- **ALWAYS** set up and install all laser effects so that all laser light is at least 9.8 feet (3 meters) above the floor on which people can stand. See the [Proper Usage](#) section of this manual.
- After setup, and prior to public use, test laser to ensure proper function. Do not use if any defect is detected.
- **DO NOT** use laser if the laser appears to be emitting only one or two beams, rather than dozens/hundreds, as this could indicate damage to the diffraction grating optic, and could allow emission of laser levels higher than Class 3R.
- **DO NOT** point lasers at people or animals.
- Never look into the laser aperture or laser beams.
- **DO NOT** point lasers into areas in which people can potentially get exposed, such as uncontrolled balconies, etc.
- **DO NOT** point lasers at highly reflective surfaces such as windows, mirrors, and shiny metal. Even laser reflections can be hazardous.
- Never point a laser at aircraft; this is a U.S. federal offense.
- Never point un-terminated laser beams into the sky.
- Do not expose the output optic (aperture) to cleaning chemicals.
- Do not use the laser if the housing is damaged, open, or if the optics appear damaged in any way.
- Never open the laser housing. The high laser power levels inside of the protective housing can start fires or burn skin, and will cause instant eye injury.
- Never leave this product running unattended.
- The operation of a Class 3R laser show is only allowed if the show is controlled by a skilled and well-trained operator, familiar with the data included in this manual.
- The legal requirements for using laser entertainment products vary from country to country. The user is responsible for the legal requirements in the location/country of use.



CAUTION! DO NOT operate this device in ways not specified in this User Manual. Failure to follow the instructions will void the warranty, may damage the product, or injure the user or the audience. CAUTION! This product cannot be discarded with household waste. Contact your local waste management service for electronic disposal regulations in your area.

Laser Safety Label Reproduction

	LASER LIGHT AVOID DIRECT EYE EXPOSURE CLASS 3R LASER PRODUCT	80 mW, 650 nm / 30 mW, 532 nm Classified per EN/IEC 60825-1:2007
	  	THIS APPLIANCE MUST BE GROUNDED CETTE UNITE DOIT ETRE RELIEE A LA TERRE THIS FIXTURE HAS NO REPLACEABLE FUSE CET APPAREIL N'A PAS FUSIBLE REMPLACABLE NOT FOR HOUSEHOLD USE IMPROPRE A L'USAGE DOMESTIQUE DRY LOCATIONS SECS EMPLACEMENTS SECS DISCONNECT POWER BEFORE SERVICING DEBRANCHER AVANT TOUT ENTRETIEN FOR INDOOR USE ONLY USAGE INTERIEUR UNIQUEMENT
CHAUVET WORLDWIDE HEADQUARTERS SUNRISE, FLORIDA USA MODEL: EZ™ Laser RGFX LIGHT SOURCE: Laser (Red/Green) ITEM CODE: 10061112 INPUT VOLTAGE: 12 VDC, 1 A ORIGIN: MADE IN P.R.C.		





Laser Exposure Warning

LASER LIGHT AVOID DIRECT EYE EXPOSURE

Further guidelines and safety programs for safe use of lasers can be found in the ANSI Z136.1 Standard "For Safe Use of Lasers", available from the Laser Institute of America: www.laserinstitute.org. Many local governments, corporations, agencies, military, and others, require all lasers to be used under the guidelines of ANSI Z136.1. Laser Display guidance can be obtained via the International Laser Display Association: www.laserist.org.

Laser Emission Data

EZ Laser RGFx

Laser Classification	Class 3R
Green Laser Medium	DPSS Nd:YVO4, 532 nm
Red Laser Medium	LD GaAlAs, 650 nm
Beam Diameter	< 5 mm at aperture
Pulse Data	All pulses < 4 Hz (> 0.25 sec)
Divergence (each beam)	< 2 mrad
Divergence (total light)	< 160 degrees
Laser Power of Each Beam from Aperture*	< 5 mW

EZ Laser RB

Laser Classification	Class 3R
Blue Laser Medium	LD InGaN, 450 nm
Red Laser Medium	LD GaAlAs, 650 nm
Beam Diameter	< 5 mm at aperture
Pulse Data	All pulses < 4 Hz (> 0.25 sec)
Divergence (each beam)	< 2 mrad
Divergence (total light)	< 160 degrees
Laser Power of Each Beam from Aperture*	< 5 mW

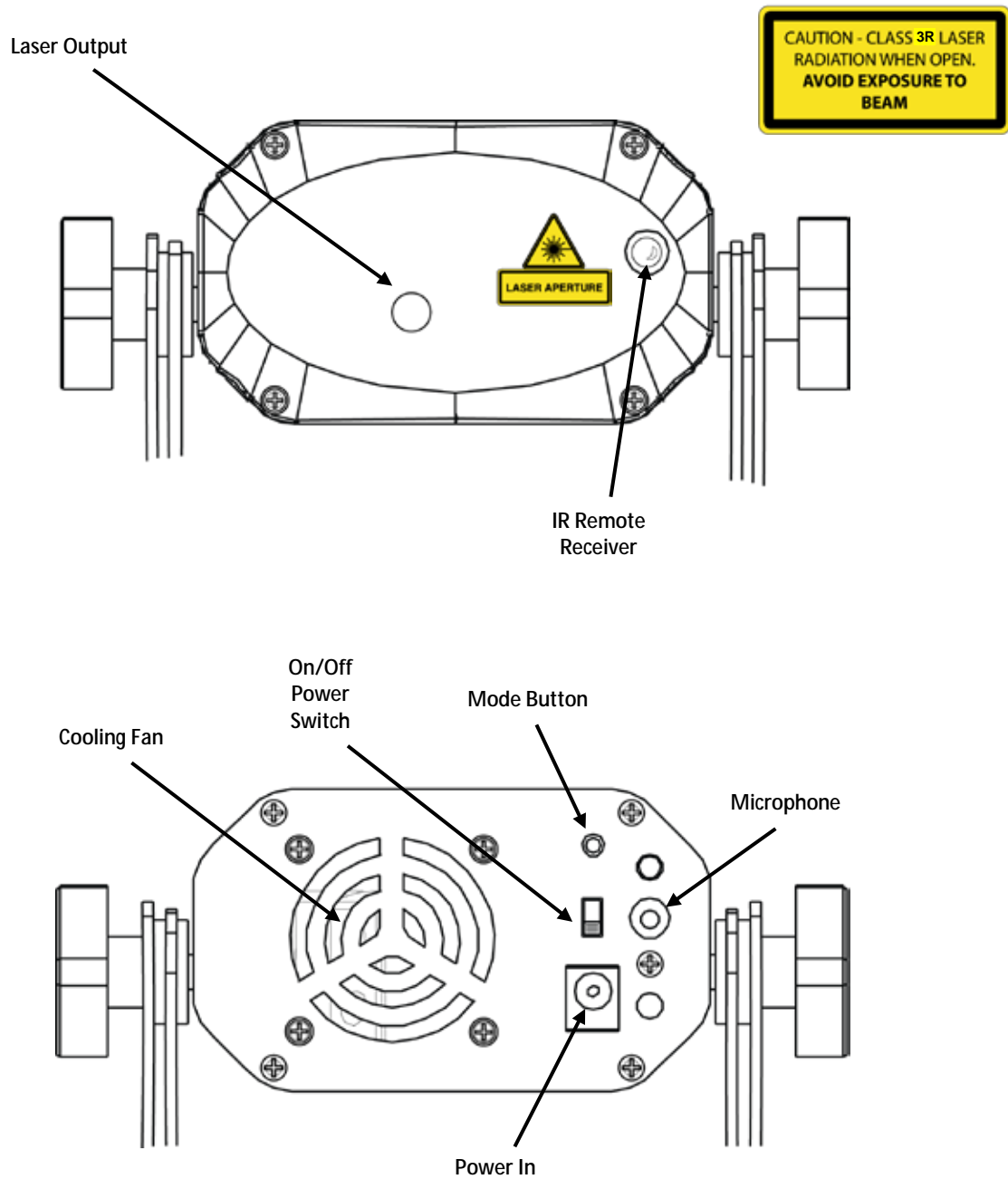
**As measured under IEC measurement conditions for classification.*

Laser Compliance Statement

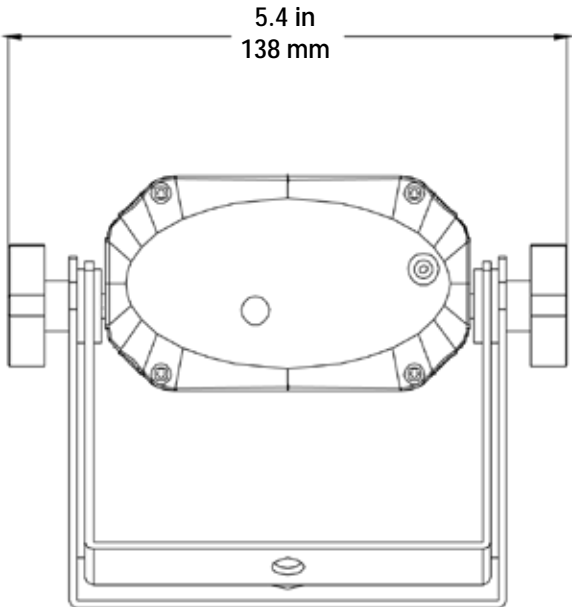
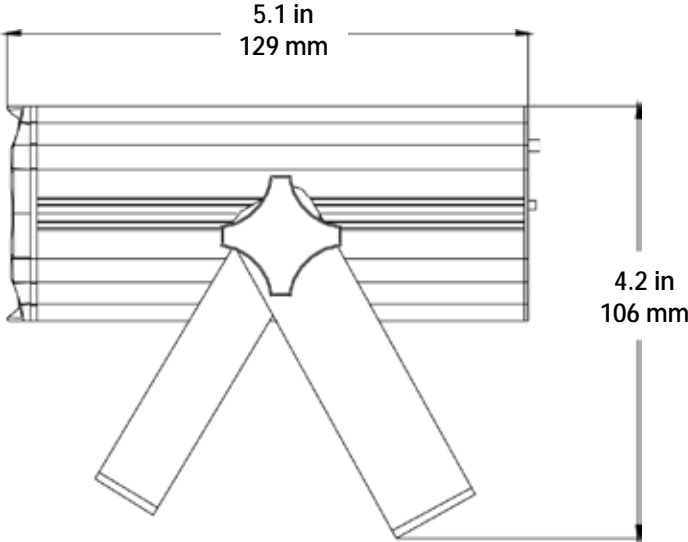
This laser product complies with EN/IEC 60825-1 Ed 2, 2007-03, and U.S. FDA/CDRH FLPPS via the terms of Laser Notice No. 50 dated June 24, 2007. This laser device is classified 3R. (Class 3R is the international equivalent of U.S. Class IIIa.) No maintenance is required to keep this product in compliance with laser performance standards.

2. INTRODUCTION

Overview



Dimensions



3. SETUP

AC Power The EZ Laser RGFY/RB has an external auto-ranging power supply and it can work with an input voltage range of 100 to 240 VAC, 50/60 Hz.

To determine the product's power requirements (circuit breaker, power outlet, and wiring), use the current value listed on the label affixed to the product's back panel, or refer to the [Technical Specifications](#). The listed current rating indicates the product's average current draw under normal conditions.



- **Always connect the product to a protected circuit (circuit breaker or fuse). Make sure the product has an appropriate electrical ground to avoid the risk of electrocution or fire.**
- **To eliminate wear and improve its lifespan, during periods of non-use completely disconnect from power via breaker or by unplugging it.**



Never connect the product to a rheostat (variable resistor) or dimmer circuit, even if the rheostat or dimmer channel serves only as a 0 to 100% switch.

Charging the Battery

The EZ Laser RGFY/RB comes with a rechargeable lithium battery for cable-free operation.

To charge the battery, simply plug in the power cord at any time before, during, or after operation.



The EZ Laser RGFY/RB battery should be charged 24 hours prior to initial use for optimal battery life.

Battery Runtime

The maximum runtime for the EZ Laser RGFY/RB battery is up to 6 hours; however, the operation mode used has a bearing on the final runtime for the battery. To achieve the maximum battery runtime, set the product in the Sound-Active modes only. When using the Auto Program modes, the battery runtime may be shortened.

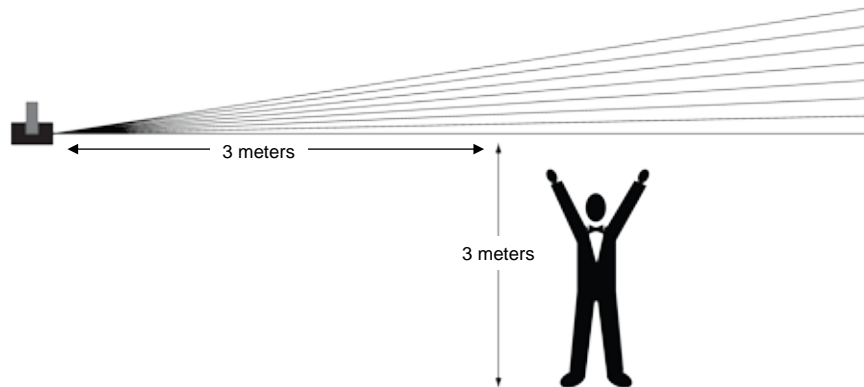
Battery Maintenance

To keep the battery in optimal operating condition, store the product in a cool, dry place and charge at least once every 30 days when not in use.

Avoid exposure to extreme temperatures. If the product is exposed to extreme cold or hot temperatures, warm-up / cool-down the product before use and before charging.

Proper Usage For safety purposes, Chauvet recommends mounting lighting effect products on steady elevated platforms or sturdy overhead supports using suitable hanging clamps. In all cases, use safety cables. Obtain appropriate mounting hardware from your lighting vendor.

International laser safety regulations require that laser products must be operated in the fashion illustrated below, with a minimum of 9.8 feet (3 meters) of vertical separation between the floor and the lowest laser light. Additionally, 9.8 feet (3 meters) of horizontal separation is required between laser light and audience or other public spaces.



CAUTION! USE OF CONTROLS, ADJUSTMENTS, OR PROCEDURES OTHER THAN THOSE SPECIFIED IN THIS USER MANUAL MAY RESULT IN HAZARDOUS RADIATION EXPOSURE.

Mounting Before mounting the product, read and follow the safety recommendations indicated in the [Safety Notes](#).

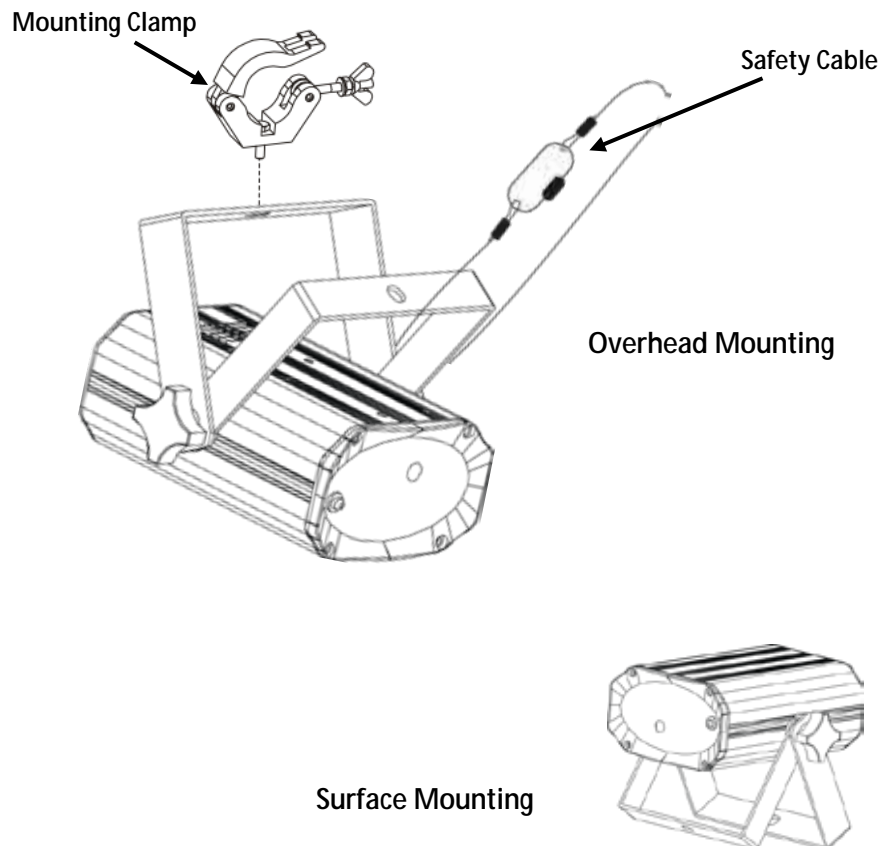
Orientation The EZ Laser RGFx/RB must be mounted in a position that includes planning for safe laser usage. In addition, make sure adequate ventilation is provided around the product.

- Rigging**
- Before deciding on a location for the product, always make sure there is easy access to the product for maintenance and programming.
 - Make sure that the structure or surface onto which you are mounting the product can support the product's weight (see the [Technical Specifications](#)).
 - When mounting the product overhead, always use a safety cable. Mount the product securely to a rigging point, such as an elevated platform or a truss.
 - When rigging the product onto a truss, you should use a mounting clamp of appropriate weight capacity. The double-bracketed yoke has 10-mm holes, which are appropriate for this purpose.
 - The bracket adjustment knobs allow for directional adjustment when aiming the product to the desired angle. Only loosen or tighten the bracket knobs manually. Using tools could damage the knobs.



Do not remove the bracket at any time. This product is intended to be used with its bracket.

Mounting Diagram



4. OPERATION

- This product is not designed for continual use. Make sure there are regular breaks during operation to maximize the life of your laser.
- Always disconnect the EZ Laser RGFY/RB from power when not in use.

Manual Mode Access the two different operating modes available in this product by using the **<MODE>** button on the rear panel.

- Press **<MODE>** to cycle through the modes.

Mode	Description
1	Automatic
2	Sound-Active [†]
3	Automatic / Sound-Active [†]

Note: Product will Blackout[†] / revert to Automatic[†] if no sound is received within 3 seconds.

Wireless Infrared Remote Control (IRC-6)

The wireless remote (IR) will immediately override the **<MODE>** button. No additional settings are required.

This product is compatible with the IRC-6 remote from Chauvet DJ. The following IRC-6 buttons are used, with the EZ Laser RGFY/RB:



- **<BLACKOUT>** - Turns Laser On/Off
- **<AUTO>** - Selects Automatic mode
- **<SOUND>** - Selects Sound-Active mode
- **<SPEED>** - Automatic mode speed
- **<STROBE>** - Strobing (0 – 25 Hz)
- **<+> / <->** - Increase or decrease
- **<R>** - Manual Red (Add/Remove)*
- **<G>** - Manual Green (Add/Remove)*
- **** - Manual Blue (Add/Remove)*

**Color options vary by Laser model*



- **All other buttons on the remote have no function with this product.**
- **The IRC-6 will not respond to any inputs when BlackOut is activated. If the remote does not respond when a button is pressed, try pressing <BLACK OUT>. You may have inadvertently activated Black Out.**

5. TECHNICAL INFORMATION

Product Maintenance

Dust build-up reduces light output performance and can cause overheating. To maintain optimum performance, clean the product at least twice a month. However, usage and environmental conditions contribute to increasing the cleaning frequency.

To clean the product, follow the instructions below:

1. Unplug the product from power.
2. Wait until the product is at room temperature.
3. Use a vacuum (or dry compressed air) and a soft brush to remove dust collected on the external surfaces and fan vents.
4. Clean the glass panel (laser aperture) with a mild solution of glass cleaner or isopropyl alcohol.
5. Apply the solution directly to a soft, lint-free cotton cloth or a lens cleaning tissue.
6. Softly wipe any dirt or grime to the outside edges of the glass.
7. Gently polish the lens surface until they are free of haze and lint.



Always dry the optical surfaces carefully after cleaning them.



- **Do not spin the fan using compressed air because you could damage it.**
- **Do not open this product for cleaning or servicing.**

6. TECHNICAL SPECIFICATIONS

Dimensions and Weight	Length	Width	Height	Weight
	5.05 in (129 mm)	5.43 in (138 mm)	4.19 in (106.4 mm)	1 lb (0.5 kg)

Dimensions in inches rounded to the nearest decimal digit.

Power	Input Voltage	External Power Supply Range	Voltage Selection
	12 VDC, 1 A	100 to 240 VAC, 50/60 Hz	Auto-ranging

Parameter	120 V, 60 Hz	230 V, 50 Hz
Consumption	17 W	15 W
Operating	0.2 A	0.1 A

Battery	Parameter	
	Maximum runtime	Up to 6 hours
Recharge time	Up to 5 hours	

Power I/O	US/Worldwide	UK/Europe
External Power Supply	Edison (US)	Local plug

Light Source

EZ Laser RGFY/RB

Type	Power	Wavelength
Laser (green)	30 mW	532 nm
Laser (red)	80 mW	650 nm
Laser (blue)	100 mW	450 nm

Photometrics	Parameter	
	Coverage angle	80°

Thermal	Laser Maximum External Temp	Cooling System
	95 °F (35 °C)	Fan-cooled

Ordering	Product Name	Item Code	UPC Code
	EZ Laser RGFY	10061112	781462214609
	EZ Laser RB	10061107	781462214555



RETURNS

In case you need to get support or return a product:

- If you are located in the U.S., contact Chauvet World Headquarters.
- If you are located in the UK or Ireland, contact Chauvet Europe Ltd.
- If you are located in Mexico, contact Chauvet Mexico.
- If you live in Benelux, contact Chauvet Europe BVBA.
- If you are located in any other country, DO NOT contact Chauvet. Instead, contact your local distributor. See www.chauvetlighting.com for distributors outside the U.S., UK, Ireland, Benelux, or Mexico.



If you are located outside the U.S., UK, Ireland, Mexico or Benelux contact your distributor of record and follow their instructions on how to return Chauvet products to them. Visit our website www.chauvetlighting.com for contact details.

Call the corresponding Chauvet Technical Support office and request a Return Merchandise Authorization (RMA) number before shipping the product. Be prepared to provide the model number, serial number, and a brief description of the cause for the return.

Send the merchandise prepaid, in its original box, and with its original packing and accessories. Chauvet will not issue call tags.

Clearly label the package with the RMA number. Chauvet will refuse any product returned without an RMA number.



Write the RMA number on a properly affixed label. DO NOT write the RMA number directly on the box.

Before sending the product, clearly write the following information on a piece of paper and place it inside the box:

- Your name
- Your address
- Your phone number
- RMA number
- A brief description of the problem

Be sure to pack the product properly. Any shipping damage resulting from inadequate packaging will be your responsibility. FedEx packing or double-boxing are recommended.



Chauvet reserves the right to use its own discretion to repair or replace returned product(s).

1. ANTES DE EMPAR

Qué va Incluido

- EZ Laser RGFx/RB
- Fuente de alimentación externa
- Soporte para colgar con material de montaje
- IRC-6 Mando a distancia por IR
- Tarjeta de garantía
- Manual de usuario

Instrucciones de Desembalaje

Desembale el producto con cuidado inmediatamente y compruebe la caja para asegurarse de que todas las pias están en el paquete y en buen estado.

Reclamaciones




Si la caja o el contenido (el producto y los accesorios incluidos) parecen dañados a causa del transporte o muestran signos de manipulación inadecuada, notifíquese inmediatamente al transportista, y no a Chauvet. Si no lo hace oportunamente, puede quedar invalidada su reclamación al transportista. Además, guarde la caja y todo el material de embalaje para su inspección.

Para otras incidencias, como componentes o pias que falten, daños no relacionados con el transporte o daños no evidentes, presente una reclamación a Chauvet en el plazo de 7 días de la entrega.

Convenciones del Manual

Convención	Significado
1—512	Un rango de valores
50/60	Un conjunto de valores de los cuales solo se puede escoger uno
Settings	Una opción de menú que no se puede modificar
Menu > Settings	Una secuencia de opciones de menú que ha de seguirse
<ENTER>	Una tecla que se tiene que pulsar en el panel de control del producto
ON	Un valor que se tiene que introducir o seleccionar

Símbolos

Símbolo	Significado
	Instalación, configuración o información sobre funcionamiento crítica. Hacer caso omiso de esta información puede hacer que el producto no funcione, que se averíe, o causar daños al usuario.
	Instalación o información de configuración importante. El producto puede no funcionar correctamente si esta información no se usa.
	Información útil.

Exención de responsabilidad

Chauvet cree que la información contenida en este manual es exacta en todos los aspectos. Sin embargo, Chauvet no asume responsabilidad alguna, y queda exenta específicamente de todas y cada una de las responsabilidades y obligaciones, de la clase que sean y para con cualquier parte, por pérdida, perjuicio o trastorno causados por cualquier error u omisión en este documento, tanto si tales errores y omisiones se deben a negligencia o accidente como a cualquier otra causa. Chauvet se reserva el derecho a revisar el contenido de este documento sin ninguna obligación de notificar dicha revisión a ninguna persona o empresa; sin embargo, Chauvet no está en absoluto obligado a hacerlo así, ni se compromete a realizar revisión alguna. Descargue la última versión de www.chauvetlighting.com.

Las obras de autoría contenidas en este manual, incluyendo, pero sin limitarse a ellas, todos los dibujos, textos e imágenes, son propiedad de Chauvet.

© Copyright 2015, Chauvet & Sons, Inc. Todos los derechos reservados.

Publicado en formato electrónico por Chauvet en los Estados Unidos de América.

CHAUVET, el logotipo de Chauvet y EZ Laser RGFx/RB son marcas comerciales o marcas registradas de Chauvet & Sons Inc. (con nombres comerciales Chauvet y Chauvet Lighting) en los Estados Unidos y otros países. Otras empresas, nombres de productos y logotipos a los que se haga referencia aquí pueden ser marcas comerciales de sus respectivas empresas.

Notas de Seguridad

Las Notas de seguridad incluyen información importante sobre seguridad del sistema láser. Lea y comprenda todas las instrucciones antes de encender el láser por primera vez. Conocer las instrucciones de seguridad es crucial para evitar lesiones oculares y para no infringir la ley. Mantenga este manual de usuario en un lugar seguro para futuras consultas.



DETÉNGASE Y LEA TODOS LOS DATOS DE SEGURIDAD



- **Los láseres pueden ser peligrosos y tienen consideraciones de seguridad particulares. Puede producirse lesión ocular permanente y ceguera si los láseres se usan incorrectamente. Ponga máxima atención a todos los COMENTARIOS y ADVERTENCIAS de seguridad de este manual de usuario. Lea atentamente todas las instrucciones ANTES de poner en funcionamiento este dispositivo.**
- Conecte siempre el producto a un circuito con toma de tierra para evitar el riesgo de electrocución.
- Desconecte siempre el producto de la alimentación antes de limpiarlo.
- Evite la exposición directa de los ojos a la fuente de luz mientras el producto esté encendido.
- Asegúrese de que el cable de alimentación no está retorcido ni estropeado.
- Nunca desconecte este producto de la alimentación agarrando o tirando del cable.
- Si monta el producto en alto, asegure siempre a un dispositivo de seguridad usando cable de seguridad.
- Asegúrese de que no hay materiales inflamables cerca del producto cuando esté en funcionamiento.
- No toque la carcasa del producto cuando esté en funcionamiento, porque podría estar muy caliente.
- No quite el soporte en ningún momento. Este producto está concebido para usarse con este soporte.



- **Este producto no está concebido para una instalación permanente.**
- Asegúrese siempre de que la tensión del enchufe al que conecte el producto está en el rango establecido en el grabado o en el panel posterior del producto.
- ¡El producto es para uso en interiores solamente! (IP20) Para evitar riesgos de incendio o descarga, no exponga el producto a la lluvia o la humedad.
- Instale siempre el producto en una ubicación con ventilación adecuada, al menos a 20" (50 cm) de superficies adyacentes.
- Asegúrese de que ninguna ranura de ventilación en la carcasa del producto queda bloqueada.
- Nunca conecte el producto a un atenuador.
- Use siempre el soporte de montaje para trasladar el producto.
- No Apague/Encienda el producto a intervalos cortos. Esto acortará la vida del diodo láser.
- NO sacuda este producto. Evite usar la fuerza bruta cuando monte o maneje el producto.
- Use SIEMPRE un cable de seguridad cuando monte este producto en lo alto.
- La temperatura ambiente operativa para el láser es de 59 °F a 95 °F (15 °C a 35 °C). No haga funcionar este producto fuera de este rango.
- En caso de un problema grave de funcionamiento, deje de usar el producto inmediatamente.
- Nunca intente reparar el producto. Las reparaciones llevadas a cabo por personal no cualificado pueden provocar averías o funcionamiento defectuoso. Póngase en contacto con el centro de asistencia técnica autorizado más cercano.
- Para evitar un desgaste innecesario y alargar su vida útil, desconecte complemente el producto de la alimentación, mediante el interruptor o desenchufándolo, durante los periodos en los que no se use.



- Evite el contacto directo de los ojos con la luz del láser. Nunca exponga intencionadamente sus ojos o los de otras personas a la luz directa del láser.
- Este producto láser puede causar lesiones oculares al instante, o ceguera, si la luz del láser incide directamente en los ojos.
- Es ilegal y peligroso alumbrar con este láser zonas de espectadores en las que el público u otro personal pueda recibir rayos láser o reflejos de su brillo directamente en los ojos.
- En los EEUU es un delito federal dirigir cualquier láser hacia un avión.
- El uso de controles, ajustes o procedimientos distintos a los especificados en este manual de usuario pueden causar exposición peligrosa a la radiación.
- NO intente ninguna reparación. Las reparaciones y la asistencia deben ser llevadas a cabo por un técnico autorizado. **¡Las modificaciones no autorizadas están prohibidas por motivos de seguridad!**



- Guarde este manual de usuario para futuras consultas. Si este producto pasa a ser propiedad de otro usuario, asegúrese de que este documento acompaña al láser.

Advertencia sobre Carcasa no Cerrada

- Esta unidad contiene internamente dispositivos láser de alta potencia.
- No abra la carcasa del láser, debido a la potencial exposición a niveles no seguros de radiación láser.
- Los niveles de láser a los que se tiene acceso si se abre la unidad pueden causar ceguera instantánea, quemaduras en la piel e incendios.

Notas de Seguridad sobre Láser



DETÉNGASE Y LEA TODAS LAS NOTAS DE SEGURIDAD SOBRE EL LÁSER SIGUIENTES



La luz láser es diferente de cualquier otra fuente de luz. La luz de este producto puede causar lesión ocular si el producto no se instala y usa adecuadamente. La luz láser es miles de veces más concentrada que la luz de cualquier otro tipo de fuente. Esta concentración de luz puede causar lesiones instantáneas en el ojo, fundamentalmente por quemadura de la retina (la zona sensible a la luz en la parte posterior del ojo). Aunque usted no pueda sentir el "calor" de un haz de láser, este puede aún potencialmente lesionar o cegar a usted o al público. Incluso cantidades de luz láser muy pequeñas son potencialmente peligrosas, incluso a largas distancias. Las lesiones oculares por láser pueden ocurrir más rápido de lo que se tarda en parpadear.

NO dé por supuesto que porque estos productos recreativos de láser dividan el láser en cientos de haces, y porque el haz de láser se lance a alta velocidad, es segura la exposición del ojo a un haz individual de láser. Este producto de láser utiliza docenas de milivatios de potencia láser (niveles clase 3B internamente) antes de dividirlo en múltiples haces (niveles clase 3R). Muchos de los haces individuales son potencialmente peligrosos para los ojos.

NO asuma que porque la luz láser está en movimiento, es segura. La luz láser no está nunca libre de riesgo, ni aunque el haz se mueva siempre. Puesto que las lesiones oculares pueden producirse instantáneamente, es crítico prevenir la posibilidad de CUALQUIER exposición directa al ojo. Según las disposiciones de seguridad láser, no es legal apuntar con láseres Clase 3a hacia áreas en las que las personas puedan quedar expuestas. Esto se aplica incluso si se apunta con el láser por debajo de las caras de la gente, por ejemplo hacia la pista de baile.







- No ponga en funcionamiento el láser sin primero leer y comprender todos los datos técnicos y de seguridad de este manual.
- Ubique e instale todos los efectos láser **SIEMPRE** de forma que toda la luz láser esté al menos a 3 m (9,8 pies) sobre el nivel del suelo en el que se encuentra la gente. Vea la sección [Uso Adecuado](#) de este manual.
- Después de la instalación, y antes de su uso público, pruebe el láser para asegurarse de que funciona adecuadamente. No lo use si detecta cualquier defecto.
- **NO** use el láser si este emite solo uno o dos haces en lugar de docenas/centenares, pues esto podría indicar una avería en la óptica de la rejilla de difracción, y podría permitir la emisión de niveles de láser por encima de la Clase 3R.
- **NO** apunte con láser a personas o animales.
- Nunca mire a la apertura del láser o a los haces de láser.
- **NO** apunte con el láser hacia áreas en las que las personas pudieran quedar expuestas, como balcones sin vigilancia, etc.
- **NO** apunte con láseres a superficies muy reflectantes como ventanas, espejos y metal pulido. Incluso los reflejos del láser pueden ser peligrosos.
- Nunca apunte con el láser a un avión, pues constituye delito según las leyes de EE.UU.
- Nunca apunte hacia el cielo con haces láser sueltos.
- No exponga la óptica de salida (apertura) a productos de limpieza químicos.
- No use el láser si la carcasa está averiada o abierta, o si la óptica parece dañada de cualquier modo.
- Nunca abra la carcasa del láser. Los altos niveles de potencia láser dentro de la carcasa protectora pueden originar incendios o quemaduras en la piel y causarán lesiones oculares al instante.
- Nunca deje este producto en funcionamiento sin vigilancia.
- El funcionamiento de un láser de espectáculo de Clase 3R solo se permite si el espectáculo es controlado por un operador experimentado y bien formado, familiarizado con los datos contenidos en este manual.
- Los requisitos legales para usar productos de láser recreativo varían de un país a otro. El usuario es responsable de los requisitos legales del lugar/país en que lo utilice.

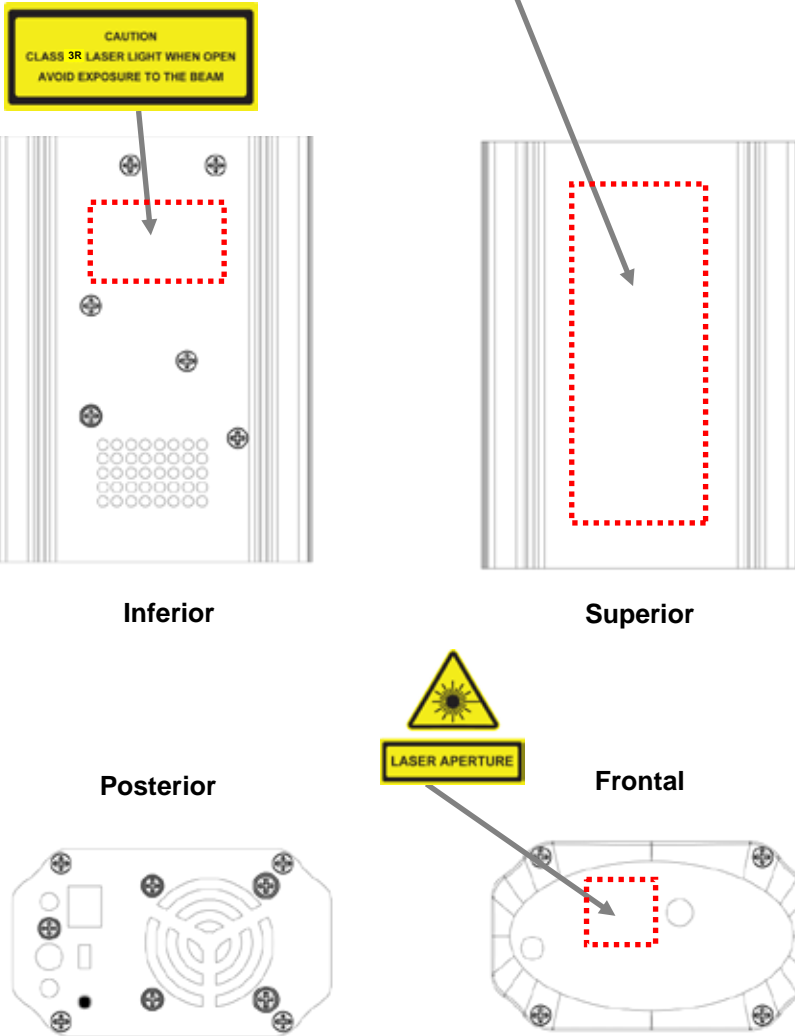


¡CUIDADO! NO ponga en funcionamiento este dispositivo en formas no especificadas en este manual de usuario. No seguir las instrucciones invalidará la garantía, podría dañar el producto o lesionar al usuario o al público.

¡CUIDADO! Este producto no se puede tirar con la basura doméstica. Póngase en contacto con el servicio de recogida para la eliminación de aparatos electrónicos de su zona.

Reproducción de la Etiqueta de Seguridad del Láser

	LASER LIGHT AVOID DIRECT EYE EXPOSURE CLASS 3R LASER PRODUCT	80 mW, 650 nm / 30 mW, 532 nm Classified per EN/IEC 60825-1:2007
	  	THIS APPLIANCE MUST BE GROUNDED CETTE UNITE DOIT ETRE RELIEE A LA TERRE THIS FIXTURE HAS NO REPLACEABLE FUSE CET APPAREIL NA PAS FUSIBLE REMPLACABLE NOT FOR HOUSEHOLD USE IMPROPRE A L'USAGE DOMESTIQUE DRY LOCATIONS EMPLACEMENTS SECS DISCONNECT POWER BEFORE SERVICING DEBRANCHER AVANT TOUT ENTRETIEN FOR INDOOR USE ONLY USAGE INTERIEUR UNIQUEMENT
CHAUVET WORLDWIDE HEADQUARTERS SUNRISE, FLORIDA USA MODEL: EZ™ Laser RGFX LIGHT SOURCE: Laser (Red/Green) ITEM CODE: 10061112 INPUT VOLTAGE: 12 VDC, 1 A ORIGIN: MADE IN P.R.C.		



**Advertencia
sobre
Exposición al
Láser**



LUZ LÁSER EVITE LA EXPOSICIÓN DIRECTA AL OJO

Se pueden encontrar más directrices y programas de seguridad para el uso seguro de láseres en la Normativa ANSI Z136.1 "Para uso seguro de Láseres", disponible en el Laser Institute of America: www.laserinstitute.org. Muchos gobiernos locales, corporaciones, agencias, ejército y otros requieren que todos los láseres se usen bajo las directrices de ANSI Z136.1. La guía Laser Display puede obtenerse de la International Laser Display Association: www.laserist.org.

Datos de Emisión Láser

EZ Laser RGFX

Clasificación láser	Clase 3R
Láser Verde Medio	DPSS Nd:YVO4, 532 nm
Láser Rojo Medio	LD GaAlAs, 650 nm
Diámetro del haz	< 5 mm en la apertura
Datos de pulso	Todos los pulsos < 4 Hz (> 0,25 sec)
Divergencia (cada haz)	< 2 mrad
Divergencia (luz total)	< 160 degrees
Potencia láser de cada haz en la apertura*	< 5 mW

EZ Laser RB

Clasificación láser	Clase 3R
Láser Verde Medio	LD InGaN, 450 nm
Láser Rojo Medio	LD GaAlAs, 650 nm
Diámetro del haz	< 5 mm en la apertura
Datos de pulso	Todos los pulsos < 4 Hz (> 0,25 sec)
Divergencia (cada haz)	< 2 mrad
Divergencia (luz total)	< 160 degrees
Potencia láser de cada haz en la apertura*	< 5 mW

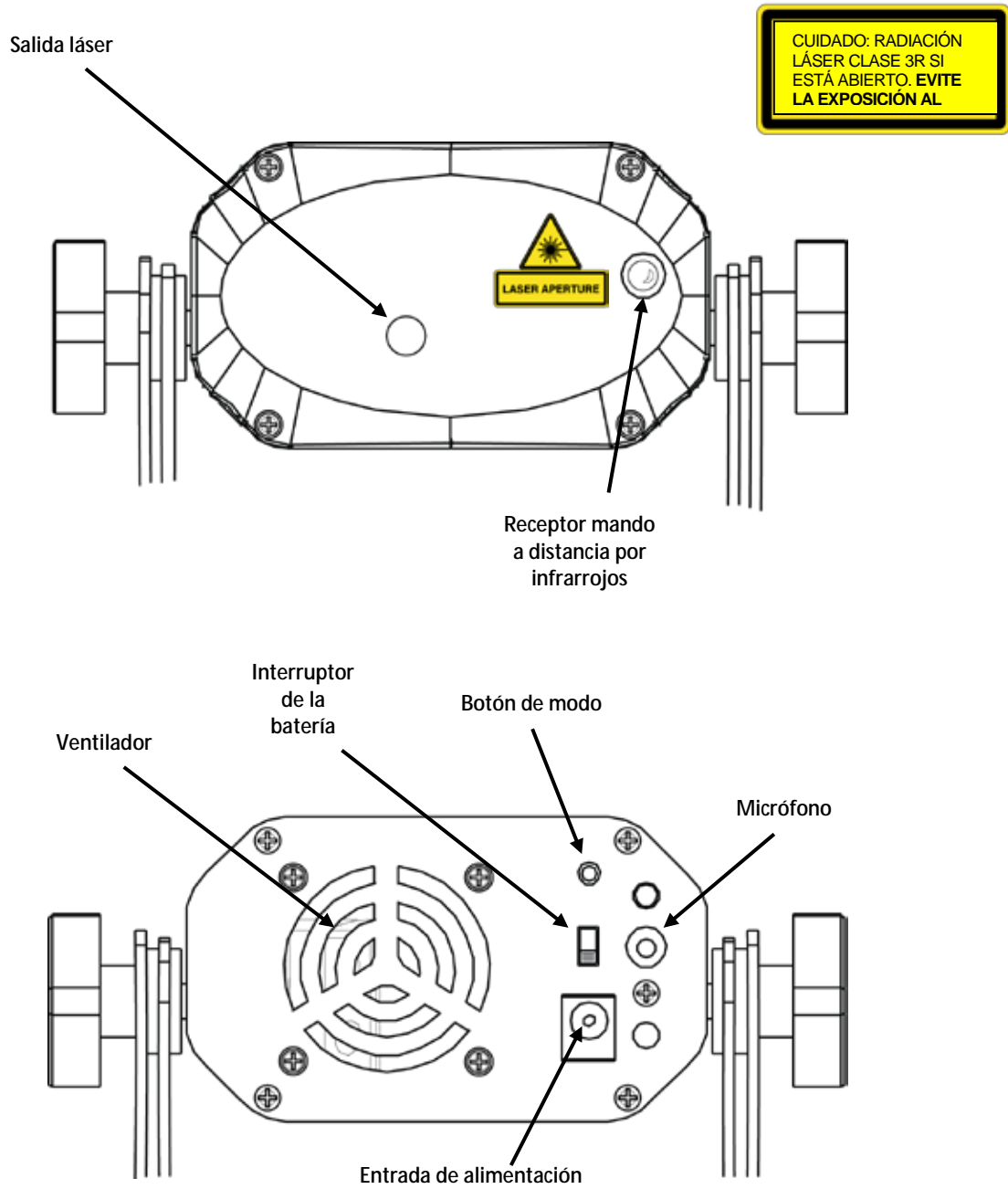
*Según medida bajo condiciones de medición IEC para clasificación.

**Declaración
de
Conformidad
Láser**

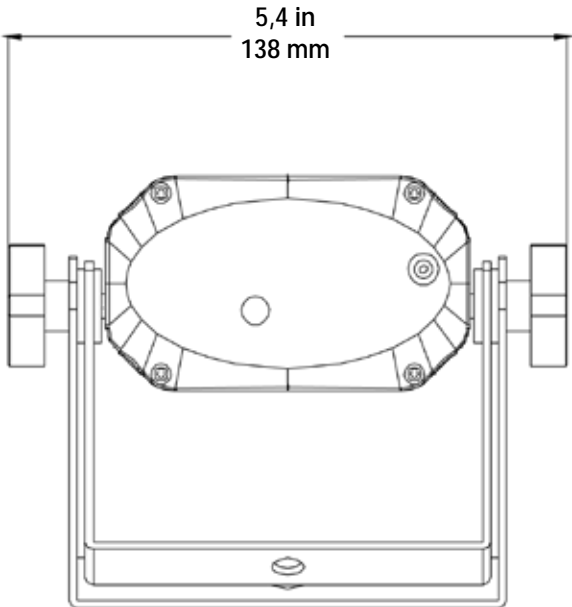
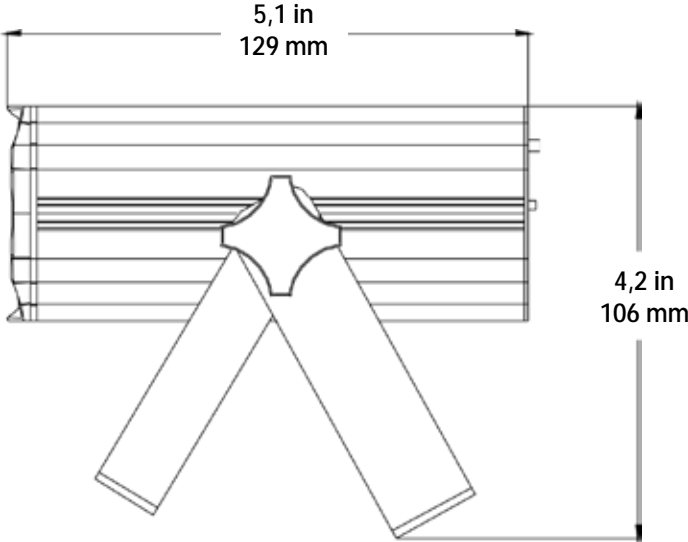
Este producto láser cumple las directivas **EN/IEC 60825-1 Ed 2, 2007-03, y U.S. FDA/CDRH FLPPS** mediante las condiciones de **Laser Notice No. 50 de fecha 24 de junio de 2007**. Este dispositivo láser está clasificado como **3R. (La Clase 3R es el equivalente internacional a la Clase IIIa de EEUU)**. No es necesario ningún mantenimiento para que este producto siga cumpliendo los estándares de rendimiento láser.

2. INTRODUCCIÓN

Vista General



Dimensiones



3. INSTALACIÓN

Corriente Alterna

El EZ Laser RGFx/RB tiene una fuente de alimentación con detección automática que puede funcionar con un rango de tensión de entrada de 100 a 240 VCA, 50/60 Hz.

Para determinar los requerimientos de alimentación (disyuntor, toma de alimentación y cableado), use el valor de tensión que aparece en la etiqueta fijada en el panel trasero del producto o consulte las [Especificaciones técnicas](#). La especificación de corriente listada indica el consumo de corriente promedio en condiciones normales.



- **Conecte siempre el producto a un circuito protegido (disyuntor o fusible). Asegúrese de que el producto tiene una toma de tierra adecuada para evitar el riesgo de electrocución o incendio.**
- **Para evitar un desgaste innecesario y alargar su vida útil, desconecte completamente el producto de la alimentación, mediante el interruptor o desenchufándolo, durante los periodos en los que no se use.**



Nunca conecte el producto a un reostato (resistor variable) o circuito de atenuación, incluso si el canal del reostato o atenuador sirve solo como conmutador 0 a 100%.

Cargar la batería

El EZ Laser RGFx/RB viene con una batería de litio recargable para un funcionamiento sin cables.

Para cargar la batería, simplemente enchufe el cable de alimentación en cualquier momento, antes, durante o después del funcionamiento.



La batería del EZ Laser RGFx/RB debe cargarse 24 horas antes del uso inicial para optimizar la vida útil de la batería.

Duración de la batería

La duración de la batería para el EZ Laser RGFx/RB es de hasta 6 horas; sin embargo, el modo de funcionamiento usado influye en la duración final de la batería. Para conseguir la máxima duración, configure el producto solo en los modos Activo por sonido. Cuando usa los modos Programa automático, la duración de la batería se puede acortar.

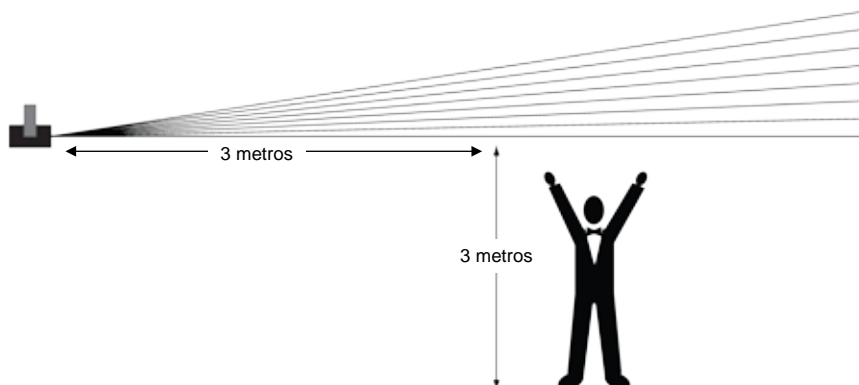
Mantenimiento de la batería

Para mantener la batería en condiciones óptimas de funcionamiento, almacene el producto en un lugar fresco y seco, y cárguela al menos una vez cada 30 días cuando no esté en uso.

Evite la exposición a temperaturas extremas. Si el producto se expone a temperaturas extremas frías o calientes, caliente o enfríe el producto antes del uso y antes de cargarlo.

Uso Adecuado Este producto es para montaje en alto solamente. Por seguridad, Chauvet recomienda montar los productos de efectos de iluminación sobre plataformas estables y elevadas, o en soportes en alto sólidos utilizando abrazaderas apropiadas para colgar. En todos los casos, utilice cables de seguridad. Obtenga el material de fijación apropiado de su proveedor de iluminación.

Las disposiciones internacionales de seguridad láser precisan que los productos de láser se manejen de la forma mostrada a continuación, con una separación vertical mínima de 3 metros (9,8 pies) entre el suelo y la luz láser más baja. Además, se requiere una separación horizontal de 3 metros entre la luz láser y los espectadores u otros espacios públicos.



¡CUIDADO! EL USO DE CONTROLES, AJUSTES O PROCEDIMIENTOS DISTINTOS A LOS QUE SE ESPECIFICAN EN ESTE MANUAL DE USUARIO PUEDEN CAUSAR EXPOSICIÓN PELIGROSA A LA RADIACIÓN.

Montaje Antes de montar el producto, lea y siga las recomendaciones de seguridad indicadas en las [Notas de Seguridad](#).

Orientación El EZ Laser RGFx/RB se debe montar en un posición preparada para uso seguro de láser. Además, asegúrese de proporcionar una ventilación adecuada alrededor del producto.

- Instalación de aparejos**
- Antes de decidir una ubicación para el producto, asegúrese siempre de que hay fácil acceso al producto para su mantenimiento y programación.
 - Asegúrese de que la estructura o superficie sobre la que está montando el producto puede soportar su peso (vea las [Especificaciones Técnicas](#)).
 - Cuando monte este producto en alto, use siempre un cable de seguridad. Monte el producto con seguridad a un punto de anclaje, como una plataforma elevada o un truss.
 - Cuando cuelgue el producto de un truss, debe usar una abrazadera de montaje con la resistencia al peso adecuada. El yugo de doble soporte tiene agujeros de 10 mm, que son adecuados para este fin.
 - Los mandos de ajuste del soporte permiten el ajuste direccional para dirigir el producto hacia el ángulo deseado. Apriete y afloje los mandos de soporte únicamente con la mano. Usar herramientas podría estropear los mandos.

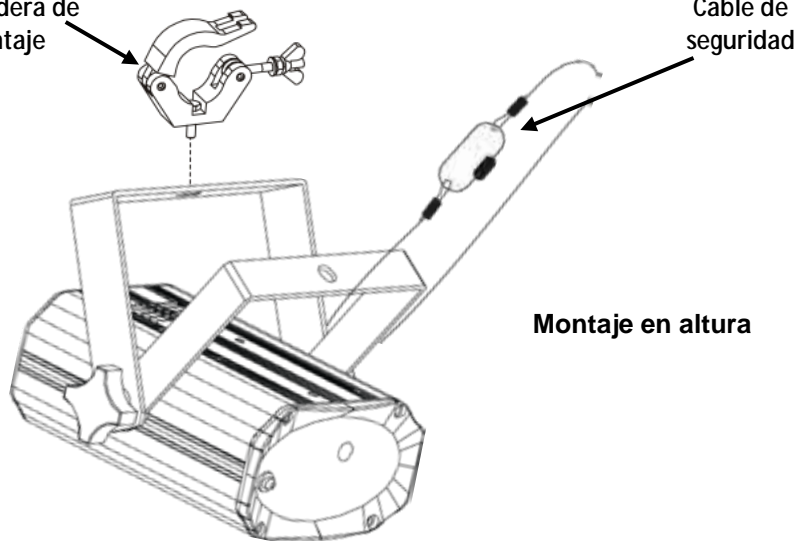


NO quite el soporte en ningún momento. Este producto está concebido para usarse con este soporte.

Diagrama de montaje

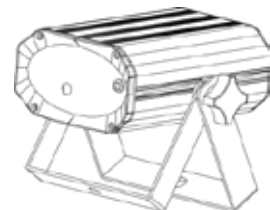
Abrazadera de montaje

Cable de seguridad



Montaje en altura

Montaje en superficie



4. FUNCIONAMIENTO

- Este producto no está diseñado para un uso continuo. Asegúrese de que hace descansos regulares durante su funcionamiento para maximizar la vida de su láser.
- Desconecte siempre el EZ Laser RGFx/RB de la alimentación cuando no lo use.

Modo manual

Acceda a los cuatro diferentes modos de funcionamiento disponibles en este producto utilizando el botón <MODE> del panel frontal.

- Pulse <MODE> para recorrer los modos.

Modo	Descripción
1	Activo por sonido
2	Programa automático [†]
3	Activo programa automático / por sonido [‡]

Nota: el producto pasará a Blackout[†] /volverá a Automático[‡] si no recibe sonido durante 3 segundos.

Control remoto inalámbrico por infrarrojos (IRC-6)

El controlador remoto inalámbrico (IR) tiene preferencia inmediata sobre el botón <MODE>. No se requieren configuraciones adicionales.

Este producto es compatible con el mando a distancia IRC-6 de Chauvet DJ. Los siguientes botones del IRC-6 se usan con el EZ Laser RGFx/RB:



- <BLACKOUT>: apaga/enciende el láser
- <AUTO>: selecciona el modo Programa automático
- <SOUND>: selecciona el modo Activo por sonido
- <SPEED>: velocidad del modo Automático
- <STROBE>: estroboscopio (0–25 Hz)
- <+> / <->: aumentar o disminuir
- <R>: rojo manual (añadir/quitar)*
- <G>: verde manual (añadir/quitar)*
- : azul manual (añadir/quitar)*

**Las opciones de color varían con el modo láser*



- Todos los demás botones del mando a distancia no funcionan con este producto.
- El IRC-6 no responderá a ninguna acción cuando esté activado el Black Out. Si el mando no responde cuando se pulsa un botón, inténtelo pulsando <BLACK OUT>. Usted puede haber activado Black Out involuntariamente.

5. INFORMACIÓN TÉCNICA

Mantenimiento del producto

El polvo acumulado reduce el rendimiento de la emisión de luz y puede provocar sobrecalentamiento. Para mantener un rendimiento óptimo, limpie el producto al menos dos veces al mes.

Sin embargo, el uso y las condiciones ambientales influyen para un aumento de la frecuencia de limpieza.

Para limpiar el producto, siga las instrucciones siguientes:

1. Desenchufe el producto de la alimentación.
2. Espere a que el producto esté a temperatura ambiente.
3. Use un aspirador (o aire seco comprimido) y un cepillo suave para quitar el polvo depositado en las superficies externas y los orificios de aireación de los ventiladores.
4. Limpie el panel de cristal (apertura del láser) con una solución suave de limpiador de cristales o alcohol isopropílico.
5. Aplique la solución directamente sobre un paño suave que no deje pelusa o un paño de limpiar lentes.
6. Con suavidad, quite todo el polvo o suciedad de los bordes externos del cristal.
7. Con cuidado, frote la superficie de la lente hasta que no quede turbiedad ni pelusas.



Seque siempre con cuidado las superficies de cristal después de limpiarlas.



- **No gire el ventilador usando aire comprimido, puesto que podría estropearlo.**
- **NO abra este producto para limpiarlo o repararlo.**

6. ESPECIFICACIONES TÉCNICAS

Dimensiones y Peso	Largo	Ancho	Alto	Peso
	5,05 in (129 mm)	5,43 in (138 mm)	4,19 in (106 mm)	1 lb (0,5 kg)

Nota: Las dimensiones en pulgadas están redondeadas al dígito decimal más próximo.

Alimentación	Tensión de Entrada	Rango de alimentación externa	Selección de Tensión
	12 VDC, 1 A	100 a 240 VAC, 50/60 Hz	Detección automática (autorango)
Parámetro	120 V, 60 Hz	230 V, 50 Hz	
Consumo	17 W	15 W	
Funcionamiento	0,2 A	0,1 A	

Batería	Parámetro		
	Tiempo máx. de funcionamiento	Hasta 6 horas	
Tiempo de recarga	Hasta 5 horas		
Alimentación I/O	US/ Mundial	UK/Europe	
Enchufe de cable de alimentación	Edison (EE.UU.)	Enchufe local	

Fuente de Luz	EZ Laser RGFY/RB		
	Tipo	Alimentación	Longitud de Onda
	Láser (verde)	30 mW	532 nm
	Láser (rojo)	80 mW	650 nm
	Láser (azul)	100 mW	450 nm

Fotométrica	Parámetro	
	Ángulo de cobertura	80°

Térmicas	Temp. externa máxima del láser	Sistema de Refrigeración
	95 °F (35 °C)	Por ventilador

Pedidos	Nombre de Producto	Código de PIA	Código UPC
	EZ Laser RGFY	10061112	781462214609
	EZ Laser RB	10061107	781462214555



DEVOLUCIONES

En caso de que necesite asistencia o devolver un producto:

- Si se encuentra en EE. UU., póngase en contacto con la Oficina Central de Chauvet
- Si se encuentra en el Reino Unido o Irlanda, póngase en contacto con Chauvet Europe Ltd.
- Si se encuentra en México, póngase en contacto con Chauvet Mexico.
- Si usted vive en el Benelux, póngase en contacto Chauvet Europa BVBA.
- Si se encuentra en cualquier otro país, NO contacte con Chauvet. Contacte con su distribuidor local. Vea www.chauvetlighting.com para distribuidores fuera de EE.UU., Reino Unido, Benelux, Irlanda o México.



Si se encuentra fuera de los EE.UU., Reino Unido o Irlanda, póngase en contacto con su distribuidor de registro y siga sus instrucciones sobre cómo devolverle a ellos los productos Chauvet. Visite www.chauvetlighting.com para detalles de contacto.

Llame a la oficina de Asistencia Técnica Chauvet correspondiente y pida un número de Autorización de Devolución de la mercancía (RMA) antes de enviar el producto. Esté preparado para proporcionar el número de modelo, número de serie y una breve descripción de la causa de la devolución.

Envíe la mercancía a portes pagados, en su caja original y con su embalaje y accesorios originales. Chauvet no expedirá etiquetas de devolución.

Etiquete el paquete claramente con el número de RMA. Chauvet rechazará cualquier producto devuelto sin un número de RMA.



Escriba el número de RMA en una etiqueta convenientemente adherida. NO escriba el número de RMA directamente sobre la caja.

Antes de enviar el producto, escriba claramente la siguiente información en una hoja de papel y colóquela dentro de la caja:

- Su nombre
- Su dirección
- Su número de teléfono
- Número de RMA
- Una breve descripción del problema

Asegúrese de que empaqueta el producto adecuadamente. Cualquier daño en el transporte que resulte de un empaquetado inadecuado será responsabilidad suya. Se recomienda empaquetado FedEx o de doble caja.



Chauvet se reserva el derecho de usar su propio criterio para reparar o reemplazar productos devueltos.

1. Avant de Commencer

- Ce Qui est Compris**
- EZ Laser RGFx/RB
 - Une alimentation externe
 - Une lyre de suspension avec matériel de montage
 - Une télécommande infrarouge
 - Une fiche de garantie
 - Un manuel d'utilisation

Instructions Relatives au Déballage

Déball l'appareil avec précaution et vérifi le contenu afin de vous assurer que rien ne vous manque et que tout est en bon état.

Réclamations




Si l'emballage ou le contenu (l'appareil et ses accessoires compris) semble avoir été endommagé pendant le transport, ou s'il présente des signes de manipulation sans précaution, veuill dès réception en notifier immédiatement le transporteur et non Chauvet. Ne pas enregistrer votre réclamation auprès du transporteur en temps et en heure peut entraîner une non validation de celle-ci. De plus, gard l'emballage et tous les matériaux d'emballage pour inspection.

Pour tout autre problème comme la non-livraison de pièces ou composants, des dommages non en rapport avec la livraison ou des vices cachés, veuill déposer votre réclamation auprès de Chauvet dans les 7 jours suivant la livraison.

Conventions de ce Manuel

Convention	Signification
1—512	Une plage de valeurs
50/60	Un ensemble de valeurs parmi lequel on ne peut en choisir qu'une
Settings	Une option de menu ne pouvant être modifiée
Menu > Settings	Une séquence d'options de menu à suivre
ENTER	Un bouton sur lequel appuyer sur le panneau de commande de l'appareil
ON	Une valeur à saisir ou à sélectionner

Symboles

Symbole	Signification
	Consignes importantes en matière d'installation, de configuration et de fonctionnement. Le non-respect de ces consignes peut entraîner le non-fonctionnement de l'appareil ou lui causer des dommages. De même, l'utilisateur peut s'en trouver affecté.
	Consignes importantes en matière d'installation ou de configuration. Le produit peut ne pas fonctionner correctement si ces instructions ne sont pas suivies.
	Informations utiles

Clause de non Responsabilité

Chauvet estime que les informations contenues dans ce manuel sont exactes à tous les égards. Cependant, Chauvet n'assume aucune responsabilité et décline expressément toute responsabilité envers toute partie de toute perte, dommage ou dérangement causés par des erreurs ou des omissions dans ce document, que ces erreurs ou omissions résultent d'une négligence, d'un accident ou de toute autre cause. Chauvet se réserve le droit de réviser le contenu de ce document sans aucune obligation de notifier quelque personne ou société que ce soit de cette révision. Cependant, Chauvet n'a aucune obligation de réaliser de telles révisions, sans non plus s'engager à les réaliser. Téléchargez la dernière version de ce manuel sur www.chauvetlighting.com.

Les œuvres d'auteur contenues dans ce manuel, y compris, mais sans s'y limiter, l'ensemble des conceptions, des textes et des images sont la propriété de Chauvet.

© Copyright 2015 Chauvet & Sons, Inc. Tous droits réservés.

Publié électroniquement par Chauvet aux États-Unis.

CHAUVET, le logo Chauvet et EZ Laser RGFY/RB sont des marques déposées ou des marques de Chauvet & Sons Inc. (d/b/a Chauvet et Chauvet Lighting) aux États-Unis et dans d'autres pays. Les autres noms de produits et logos mentionnés dans le présent manuel peuvent être des marques commerciales de leurs sociétés respectives.

Consignes de Sécurité

Ce manuel d'utilisation reprend d'importantes informations en matière de consignes de sécurité des lasers. Lis et assimile ces consignes avant de mettre votre unité sous tension pour la première fois. Connaître ces consignes de sécurité est essentiel car vous évitez ainsi des blessures oculaires et ne vous trouvez pas en infraction avec la loi. Gard ce manuel dans un endroit sûr pour référence future.



LIS ET ASSIMIL IMPÉRATIVEMENT TOUTES LES CONSIGNES DE SÉCURITÉ EN MATIÈRE DE LASER



- **Les lasers peuvent s'avérer dangereux et font l'objet de consignes de sécurité spécifiques. Une mauvaise utilisation des lasers pourrait entraîner une cécité totale ou causer des lésions oculaires. Port une attention particulière aux libellés portant la mention AVERTISSEMENT ou REMARQUE dans ce manuel d'utilisation. Lis et assimile toutes les consignes AVANT de mettre cet appareil en marche pour la première fois.**
- Connecte toujours l'appareil à un circuit relié à la terre afin d'éviter tout risque d'électrocution.
- Déconnecte toujours de l'alimentation principale avant de procéder à tout entretien.
- Évite tout contact visuel direct avec la source lumineuse quand cet appareil est en marche
- Assure-toi que le cordon d'alimentation n'est ni tordu ni endommagé.
- Ne débranche jamais cet appareil en tirant sur le cordon.
- Si vous installez l'appareil en hauteur, utilisez impérativement une élingue de sécurité pour le sécuriser au dispositif de fixation.
- Ne laissez aucun produit inflammable dans un rayon de 50 cm de l'appareil lorsque celui-ci fonctionne.
- Ne touchez pas cet appareil lors de son fonctionnement car il pourrait s'avérer brûlant.
- Ne retirez sous aucun prétexte les fixations de montage. Cet appareil doit être impérativement utilisé avec les fixations.



- **Cet appareil n'est pas conçu pour être utilisé dans une installation permanente.**
- Veillez toujours à ce que la tension de la prise à laquelle vous branchez l'appareil soit comprise dans la plage indiquée sur l'étiquette ou à l'arrière de l'appareil.
- Cet appareil doit être utilisé en intérieur uniquement ! (IP20). Afin d'éviter tout risque d'incendie ou de décharge électrique, veillez à n'exposer cet appareil ni à la pluie ni à l'humidité.
- Installez toujours cet appareil dans un endroit bien ventilé, à au moins 20 pouces (50 cm) des surfaces adjacentes.
- Assure-toi qu'aucune fente de ventilation sur le boîtier de l'appareil ne soit obstruée.
- Ne connectez jamais cet appareil à un gradateur.
- Transportez ce produit uniquement au moyen de la poignée dont il est doté.

- Mettre l'appareil hors/sous tension à de brefs intervalles est fortement déconseillé. La durée de vie de la diode laser s'en trouverait fortement réduite.
- Ne secou pas l'appareil. Évite tout geste brusque lors de l'installation ou de l'utilisation de l'appareil.
- Utilise TOUJOURS un câble de sécurité lorsque vous mont cet appareil en hauteur.
- La plage de température ambiante de fonctionnement pour le laser est de 15 °C à 35 °C (59 °F à 95 °F). Ne faites pas fonctionner cet appareil à des températures en dehors de cette plage.
- En cas de sérieux problèmes de fonctionnement, arrête le système immédiatement.
- N'essay jamais de réparer cet appareil. Toute réparation effectuée par une personne non qualifiée peut entraîner des dommages ou un fonctionnement erratique de l'appareil. Mett-vous en relation avec le centre d'assistance technique autorisé le plus près de ch vous.
- Durant les périodes de non-utilisation, pour éviter tout usure inutile et pour prolonger la durée de vie, déconnect-entièrement l'appareil en le débranchant de l'alimentation électrique ou en coupant le disjoncteur.



- Lumière laser : évite tout contact direct avec les yeux! N'expos jamais intentionnellement directement vos yeux ou ceux d'autres personnes à la lumière du laser.
- Cet appareil laser peut entraîner une cécité totale ou causer des lésions oculaires instantanées si le laser entre en contact direct avec les yeux.
- Il est illégal et dangereux de diriger ce laser vers les zones destinées au public, zones où les yeux des membres du public ou du personnel pourraient être en contact direct avec les rayons laser ou des réfléchissements lumineux.
- Ne point pas de laser sur les avions, ceci est répréhensible par la loi.
- L'utilisation des commandes, réglages ou procédures autres que celles spécifiées ci-après peut entraîner de dangereuses expositions à des radiations.
- N'essay JAMAIS de réparer l'appareil vous-même. Les réparations et entretiens doivent être effectués par un technicien agréé. **Toute modification non autorisée apportée à l'appareil est strictement interdite pour raison de sécurité!**



- Conserv ce manuel d'utilisation pour référence future. Si vous éti amené à vendre cet appareil à un autre utilisateur, veill à lui remettre ce manuel également.

**Avertissement :
Boîtier non
Verrouillable**

- Cet appareil renferme un laser très puissant.
- N'ouvr jamais le boîtier du laser, vous pourri être exposé à des niveaux dangereux de radiation laser.
- L'intensité du laser à l'ouverture du boîtier peut entraîner instantanément une cécité, des brûlures cutanées ou des incendies.

**Consignes de
Sécurité
Relatives au
Laser**



**PREN LE TEMPS DE LIRE ET ASSIMIL
LES CONSIGNES DE SÉCURITÉ RELATIVES
AU LASER CI-DESSOUS**



La source de lumière émise d'un laser est très différente de toute autre source de lumière. La lumière émise par cet appareil peut entraîner des lésions oculaires si celui-ci n'est pas correctement installé et utilisé. La lumière d'un laser est des milliers de fois plus concentrée que toute autre source lumineuse. Cette concentration de lumière peut causer des blessures oculaires instantanées, essentiellement par une brûlure de la rétine (l'arrière de votre œil contient des cellules extrêmement sensibles à la lumière). Même si vous ne ressentez pas de « chaleur » provenant du faisceau lumineux, il peut quand même être à l'origine de blessure ou de cécité, pour vous ou votre public. Une faible radiation en provenance du faisceau lumineux du laser peut s'avérer potentiellement dangereuse, même à de longues distances. Des blessures oculaires dues au laser peuvent survenir avant même que vous n'ayez eu le temps de cligner des yeux.

Il serait **ERRONÉ** de croire que puisque les appareils laser destinés au divertissement divisent le faisceau en centaines de faisceaux et que les faisceaux laser sont balayés rapidement, un faisceau laser individuel est sans danger pour les yeux. Ce laser utilise des dizaines de milliwatts de puissance (niveaux internes de classe 3B) avant de se diviser en de multiples faisceaux (niveaux de classe 3R). De nombreux faisceaux individuels sont potentiellement dangereux pour les yeux.

Il serait également **ERRONÉ** de croire que puisque la lumière laser est mobile, elle est inoffensive. L'utilisation des lasers ne se fait jamais sans risque. De plus, gard à l'esprit que celle-ci n'est pas toujours mobile. Puisque les blessures oculaires peuvent apparaître instantanément, il est indispensable d'empêcher LA MOINDRE exposition directe des yeux. Selon la réglementation de sécurité relative aux lasers, il est interdit de diriger des lasers de classe 3R là où le public pourrait être en contact avec ces faisceaux. Ceci est également valable s'ils sont dirigés en-dessous du visage des gens, comme sur une piste de danse.




- Ne faites pas fonctionner le laser avant d'avoir lu et compris toutes les données techniques et de sécurité contenues dans ce manuel.
- **Veull TOUJOURS configurer et installer les effets laser de manière à ce que leur lumière soit projetée à minimum 3 mètres (9,8 pieds) au-dessus du sol sur lequel les gens se tiennent. Référer-vous à la section [Utilisation Adéquate](#) de ce manuel.**
- Après installation et avant utilisation publique, veull tester le laser afin de vous assurer de son bon fonctionnement. Ne l'utilis pas si vous détect un défaut.
- **NE l'utilis PAS** non plus si le laser émet uniquement un ou deux faisceaux au lieu de dizaines ou de centaines, car cela pourrait endommager votre diffraction optique et permettre l'émission de niveaux de laser plus élevés que de classe R.
- **NE point PAS** le laser sur les gens ou les animaux.
- Ne regard jamais l'ouverture ou les faisceaux laser.
- **NE point PAS** de lasers dans les endroits où les gens pourraient potentiellement y être exposés, tels que les balcons, etc.
- **NE point PAS** de laser sur des surfaces hautement réfléchissantes, telles que les fenêtres, les miroirs ou du métal réverbérant. Même les reflets des lasers peuvent être dangereux.
- Ne point pas de laser sur les avions, ceci est répréhensible par la loi.
- Ne point pas des faisceaux de laser très longue portée dans le ciel.
- N'expos pas la sortie optique (ouverture) à des produits chimiques.
- N'utilis pas le laser si le boîtier est endommagé, ouvert, ou si l'optique semble endommagée en quoique ce soit.
- N'ouvr pas le boîtier du laser. La forte intensité du laser à l'intérieur du boîtier de protection peut entraîner des incendies, des brûlures corporelles ou des blessures oculaires instantanées.
- Ne laiss jamais l'appareil fonctionner sans surveillance.
- Le fonctionnement d'appareils laser de classe 3R n'est autorisé que s'il est contrôlé par un utilisateur expérimenté et adéquatement formé, ayant assimilé les données présentées dans ce manuel.
- Les obligations légales d'utilisation des produits laser pour les loisirs varient de pays en pays. L'utilisateur est tenu de respecter les obligations légales du pays/de la salle dans lequel il l'utilise.



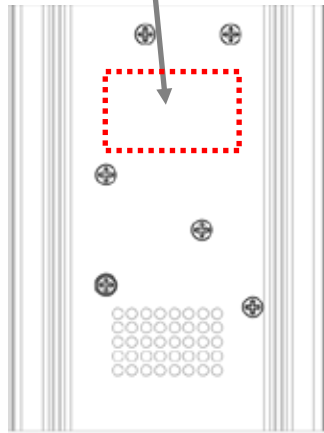
ATTENTION : n'utilis PAS cet appareil de manière non indiquée dans ce manuel d'utilisateur. Le non-respect des instructions entraînera l'annulation de la garantie et peut également endommager l'appareil ou causer des blessures aussi bien à l'utilisateur qu'au public.

ATTENTION : vous ne pouv disposer de cet appareil avec les déchets ménagers. Pren contact avec votre service régional de gestion des déchets pour connaître les procédures de recyclage des appareils électroniques de votre zone.

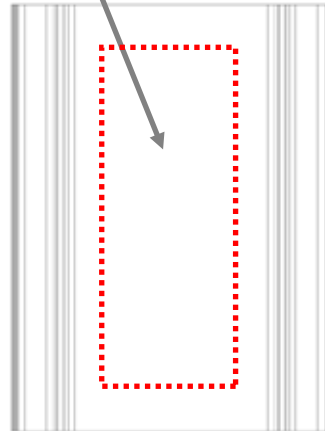
Reproductions des Etiquettes en Matière de Sécurité des Appareils Laser

	LASER LIGHT AVOID DIRECT EYE EXPOSURE CLASS 3R LASER PRODUCT	80 mW, 650 nm / 30 mW, 532 nm Classified per EN/IEC 60825-1:2007
	CHAUVET CHAUVET WORLDWIDE HEADQUARTERS SUNRISE, FLORIDA USA MODEL: EZ™ Laser RGFX LIGHT SOURCE: Laser (Red/Green) ITEM CODE: 10061112 INPUT VOLTAGE: 12 VDC, 1 A ORIGIN: MADE IN P.R.C.	THIS APPLIANCE MUST BE GROUNDED CETTE UNITE DOIT ETRE RELIEE A LA TERRE THIS FIXTURE HAS NO REPLACEABLE FUSE CET APPAREIL N'A PAS FUSIBLE REMPLAÇABLE NOT FOR HOUSEHOLD USE IMPROPRE A L'USAGE DOMESTIQUE DRY LOCATIONS EMBLEMENTS SECS DISCONNECT POWER BEFORE SERVICING DEBRANCHER AVANT TOUT ENTRETIEN FOR INDOOR USE ONLY USAGE INTERIEUR UNIQUEMENT

CAUTION
 CLASS 3R LASER LIGHT WHEN OPEN
 AVOID EXPOSURE TO THE BEAM



Dessous

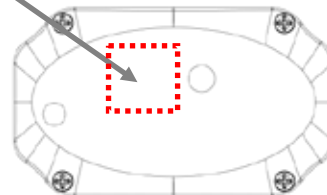


Dessus

Arrière



Avant



Avertissement d'Exposition au Laser



LUMIÈRE LASER, ÉVIT L'EXPOSITION DIRECTE AVEC LES YEUX

Des lignes directrices et programmes de sécurité supplémentaires pour une utilisation des lasers en toute sécurité peuvent être consultés dans le texte de la norme ANSI Z136.1 "For Safe Use of Lasers" ("Pour une utilisation des lasers en toute sécurité"), disponible sur le site www.laserinstitute.org du Laser Institute of America. Une multitude de gouvernements, grandes entreprises, agences, forces armées et autres, exige que les utilisateurs d'appareils laser suivent les lignes directrices de la norme ANSI Z136.1. Le guide des spectacles laser peut être obtenu auprès de l'International Laser Display Association (l'association internationale du spectacle laser) sur leur site www.laserist.org.

Données d'Emission Laser

EZ Laser RGFx

Classification du laser	Classe 3R
Laser vert	DPSS Nd:YVO4, 532 nm
Laser rouge	LD GaAlAs, 650 nm
Diamètre de faisceau	< 5 mm à l'ouverture
Données d'impulsion	Toute impulsion < 4 Hz (> 0,25 sec)
Divergence (chaque faisceau)	< 2 mrad
Divergence (éclairage dans son ensemble)	< 160 degrees
Puissance de laser de chacune Faisceau depuis ouverture*	< 5 mW

EZ Laser RB

Classification du laser	Classe 3R
Laser bleu	LD InGaN, 450 nm
Laser rouge	LD GaAlAs, 650 nm
Diamètre de faisceau	< 5 mm à l'ouverture
Données d'impulsion	Toute impulsion < 4 Hz (> 0,25 sec)
Divergence (chaque faisceau)	< 2 mrad
Divergence (éclairage dans son ensemble)	< 160 degrees
Puissance de laser de chacune Faisceau depuis ouverture*	< 5 mW

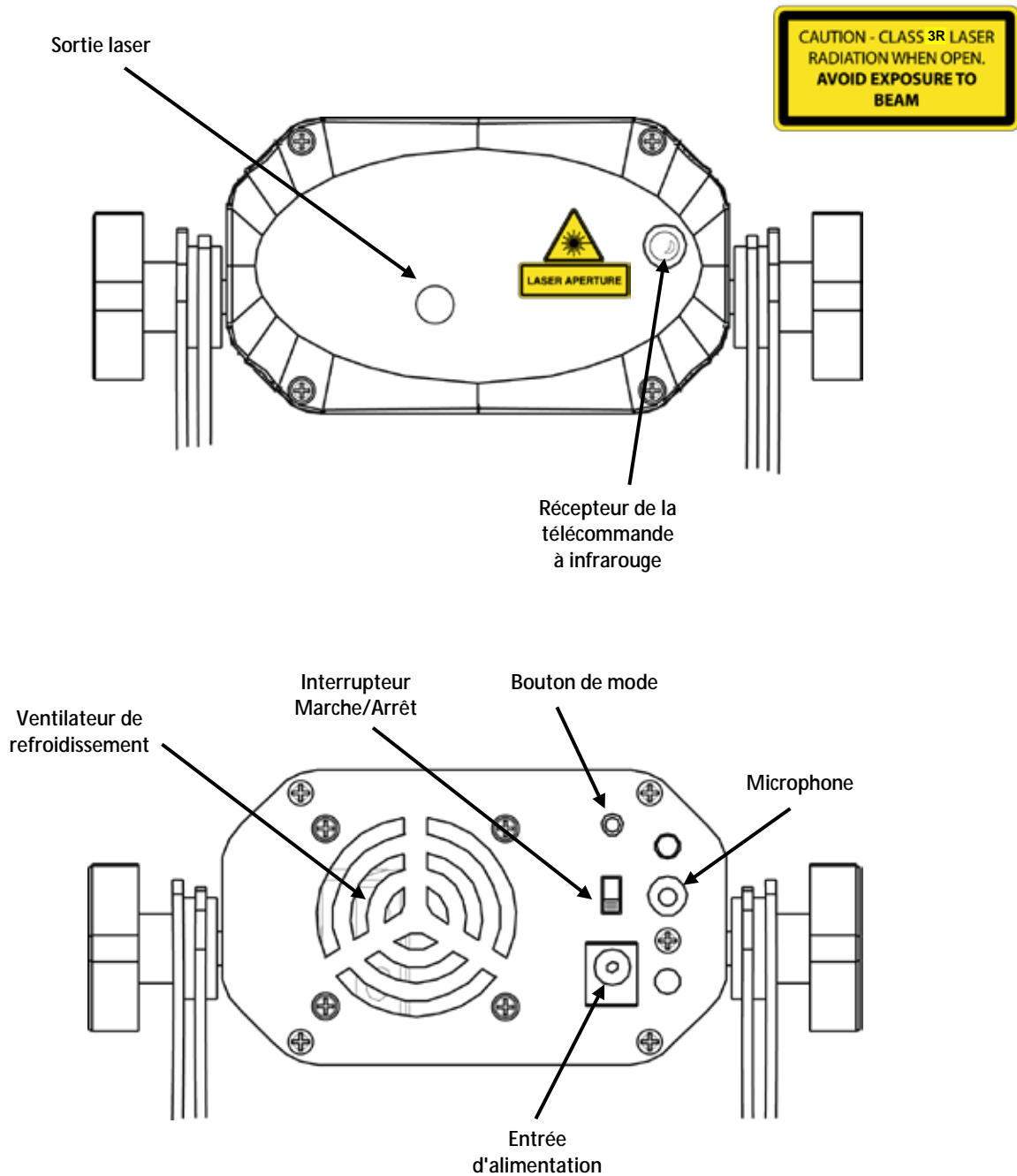
* Comme mesuré selon les conditions de mesure CEI pour la classification.

Déclaration de Conformité du Laser

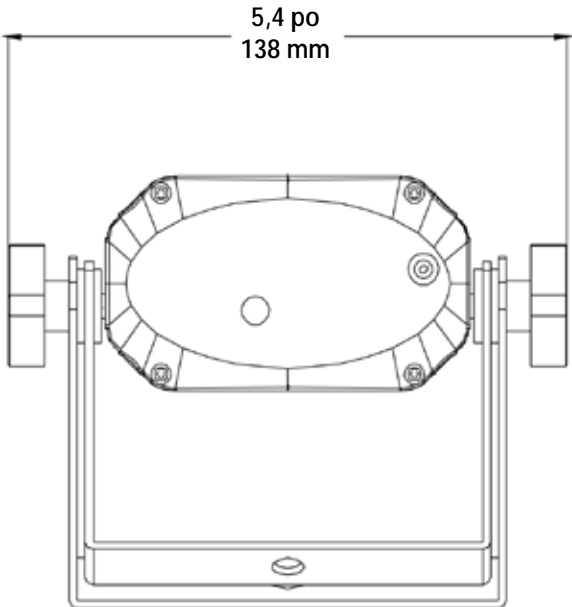
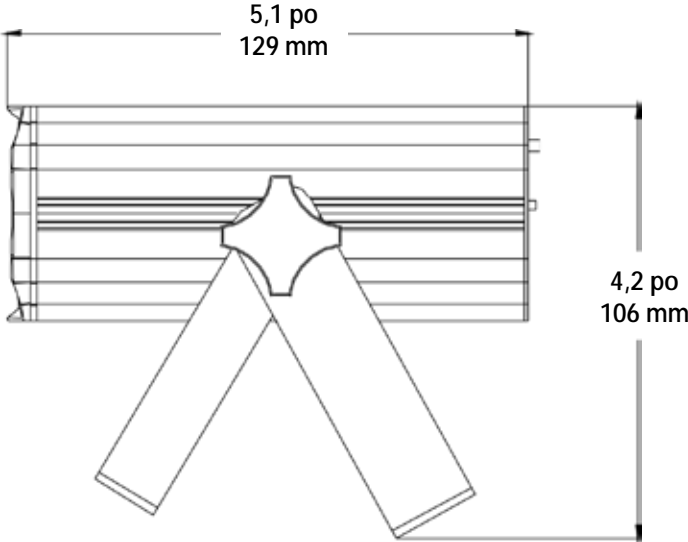
Cet appareil laser répond aux normes EN/CEI 60825-1 Ed 2, 2007-03 et US FDA/CDRH FLPPS selon les termes de la notice de laser n°50 en date du 24 juin 2007. Cet appareil laser est classé 3R. (La classe 3R est la classe équivalant à la classe IIIa aux États-Unis). Aucune maintenance n'est nécessaire pour le maintien de la conformité aux normes de performance laser de cet appareil.

2. INTRODUCTION

Vue d'ensemble



Dimensions



3. INSTALLATION

Alimentation CA

Le EZ Laser RGFY/RB est doté d'une alimentation universelle externe et il peut fonctionner avec des tensions d'entrée comprises entre 100 et 240 V CA, 50/60 Hz.

Pour déterminer les besoins en énergie de l'appareil (disjoncteur, prise de courant et câblage), utilisez la valeur de courant figurant sur l'étiquette apposée sur le panneau arrière de l'appareil, ou consultez les [Spécifications techniques](#). La capacité nominale affichée indique la consommation courante dans des conditions normales d'utilisation.



- **Toujours connecter l'appareil à un circuit protégé (disjoncteur ou fusible). Assurez-vous que l'appareil soit correctement mis à la terre pour éviter tout risque d'électrocution ou d'incendie.**
- **Durant les périodes de non-utilisation, pour éviter toute usure et pour prolonger la durée de vie, déconnectez entièrement l'appareil en le débranchant de l'alimentation électrique ou en coupant le disjoncteur.**



Ne connectez jamais l'appareil à un rhéostat (résistance variable) ou un circuit voleur, même si vous n'avez l'intention de vous servir du rhéostat ou canal de gradation que comme interrupteur 0 à 100 %.

Chargement de la batterie

Le EZ Laser RGFY/RB est livré avec une batterie au lithium rechargeable permettant un fonctionnement sans câble.

Pour charger la batterie, il suffit de brancher le câble d'alimentation à n'importe quel moment avant, pendant ou après l'utilisation.



La batterie du EZ Laser RGFY/RB doit être chargée 24 heures avant la première utilisation pour une durée de vie de la batterie optimale.

Autonomie de la batterie

L'autonomie maximale de la batterie du EZ Laser RGFY/RB est de 6 heures. Cependant, le mode de fonctionnement utilisé peut impacter l'autonomie réelle de la batterie. Pour obtenir l'autonomie de batterie maximale, paramétrez uniquement l'appareil sur les modes d'activation par le son. Lors de l'utilisation des modes de programme automatiques, l'autonomie de la batterie peut diminuer.

Entretien de la batterie

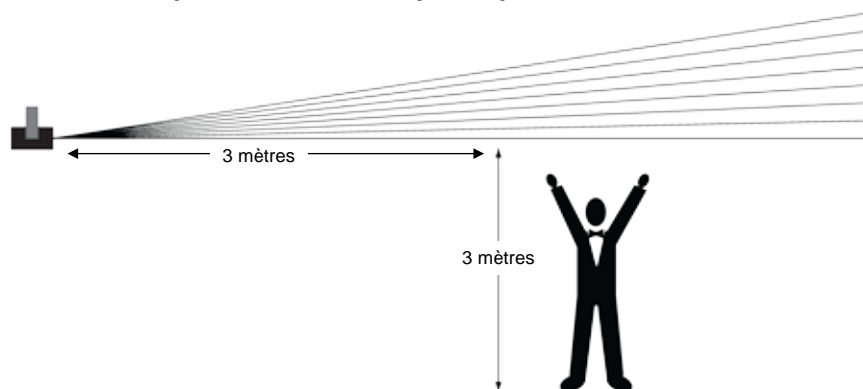
Pour conserver la batterie dans une condition de fonctionnement optimale, entreposez l'appareil dans un emplacement frais et sec et chargez-le au moins tous les 30 jours lorsqu'il n'est pas utilisé.

Évitez les expositions aux températures extrêmes. Si l'appareil est exposé à des températures extrêmement froides ou chaudes, réchauffez/refroidissez l'appareil avant l'utilisation et la charge.

Utilisation Adéquate

Cet appareil doit être monté en hauteur uniquement. Pour des raisons de sécurité, Chauvet recommande de monter vos éclairages sur une plateforme élevée stable ou des supports en hauteur renforcés au moyen de systèmes de suspension adéquats. Vous dev, dans tous les cas, utiliser des élingues de sécurité. Le matériel de montage approprié peut être acquis auprès de votre revendeur d'éclairage.

Les réglementations internationales en matière de sécurité des appareils laser exigent que ceux-ci soient installés de manière à ce qu'un minimum de 3 mètres de séparation à la verticale existe entre le sol et la lumière laser la plus basse projetée. De plus, une séparation de 3 mètres à l'horizontal doit être respectée entre toute lumière laser émise et les membres du public ou autres espaces publics.



ATTENTION : L'UTILISATION DES COMMANDES, REGLAGES OU PROCEDURES AUTRES QUE CELLES SPECIFIEES DANS CE MANUEL D'UTILISATION PEUT ENTRAINER DE DANGEREUSES EXPOSITIONS A DES RADIATIONS.

Montage Avant d'installer l'appareil, veuillez lire et respecter les recommandations de sécurité indiquées dans les [Consignes de Sécurité](#).

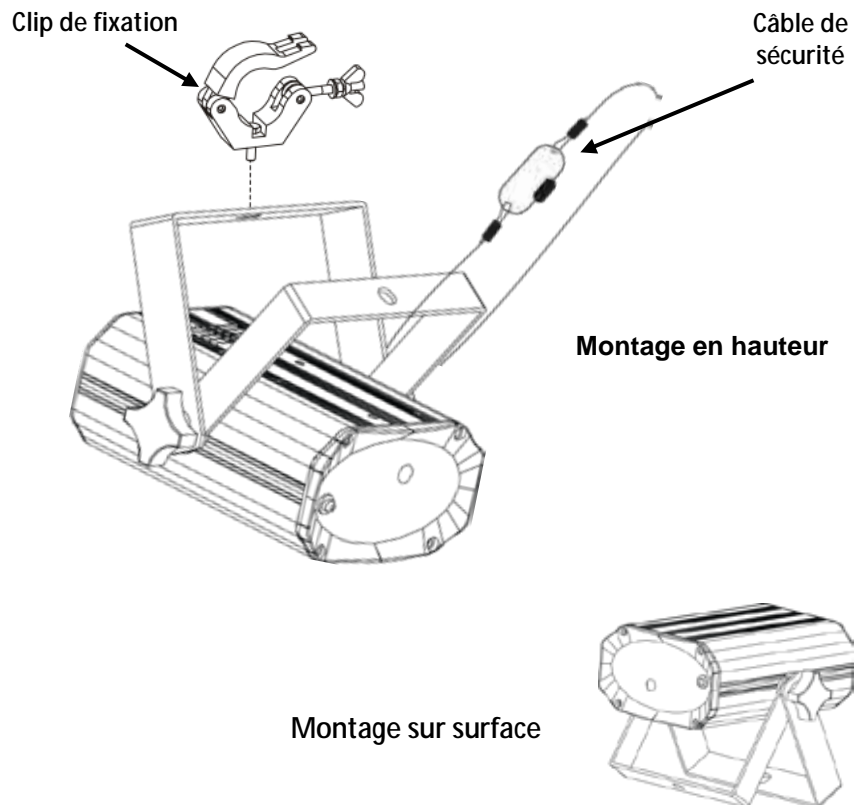
Orientation Le EZ Laser RGFX/RB doit être installé dans une position pensée pour l'utilisation sans risque du laser. Assurez-vous également que la ventilation soit suffisante autour de l'appareil.

- Suspendre**
- Avant de choisir un emplacement pour l'appareil, assurez-vous toujours qu'il soit facile d'accéder au produit pour l'entretien et la programmation.
 - Assurez-vous que la structure ou la surface sur laquelle vous installez l'appareil peut supporter le poids de l'appareil (voir la section [Spécifications techniques](#)).
 - En cas de montage de l'appareil en hauteur, veillez à toujours utiliser un câble de sécurité. Installez l'appareil de manière sécurisée à un point d'accroche, tel qu'une plateforme élevée ou une structure truss.
 - Lors du montage du produit sur une structure, vous devez utiliser une pince de fixation de la capacité en poids appropriée. Le bras de support à double crochets comporte des trous de 10 mm prévus à cet effet.
 - Les poignées de réglage des crochets permettent des ajustements directionnels pour diriger l'appareil vers l'angle souhaité. Les poignées de réglage doivent être serrées ou desserrées manuellement. L'utilisation d'outils peut endommager les poignées.



Ne jamais enlever le support. Cet appareil est conçu pour être utilisé avec son support.

Schéma de montage



4. FONCTIONNEMENT

- Cet appareil ne doit pas fonctionner de manière continue. Afin de maximiser la durée de vie de votre laser, veill à le mettre en pause régulièrement.
- Débranch toujours l'EZ Laser RGFX/RB quand il n'est pas utilisé.

Mode Manuel Accédez aux deux modes de fonctionnement différents disponibles dans cet appareil en utilisant le bouton **<MODE>** sur le panneau arrière.

- Appuyez sur **<MODE>** pour faire défiler les modes.

Mode	Description
1	Programme Automatique
2	Activation par le son [†]
3	Automatique / par le son Programme [‡]

Remarque : L'appareil passera en noir général[†] / repassera en mode automatique[‡] si aucun son n'est reçu pendant 3 secondes.

Télécommande Sans Fil (IRC-6)

La télécommande à infrarouge (IR) prévaut automatiquement sur le bouton **<MODE>**. Aucune autre configuration n'est requise !

Cet appareil est compatible avec la télécommande IRC-6 de Chauvet DJ. Les boutons suivants de l'IRC-6 sont utilisés avec le EZ Laser RGFX/RB :



- **<BLACKOUT>** - Allumage/extinction du laser
- **<AUTO>** - Sélection du mode programme automatique
- **<SOUND>** - Sélection du mode d'activation par le son
- **<SPEED>** - Vitesse du mode automatique
- **<STROBE>** - Effet stroboscopique (0 à 25 Hz)
- **<+> et <->** - Augmenter ou diminuer
- **<R>** - Rouge manuel (ajouter/enlever)*
- **<G>** - Vert manuel (ajouter/enlever)*
- **** - Bleu manuel (ajouter/enlever)*

**Les options de couleur varient selon le modèle de laser.*



- **Tous les autres boutons de la télécommande n'ont aucune fonction avec cet appareil.**
- **L'IRC-6 ne répond à aucune commande lorsque le mode Noir Total (Black Out) est activé. Si la télécommande ne répond pas lors de l'appui sur une touche, essayez d'appuyer sur la touche <BLACK OUT>. Il se peut que vous ayez activé le mode Noir Total par erreur.**

5. INFORMATIONS TECHNIQUES

Entretien de l'Appareil

L'accumulation de poussière réduit la sortie de lumière et peut entraîner une surchauffe de l'appareil. Pour un fonctionnement optimal, nettoyez l'appareil au moins deux fois par mois. Les conditions environnementales et d'utilisation peuvent toutefois exiger un nettoyage plus fréquent.

Pour nettoyer le produit, suivez les instructions comme indiquées ci-après:

1. Débranchez l'appareil.
2. Attendez que l'appareil soit à la température ambiante.
3. Utilisez un aspirateur (ou un compresseur d'air) et une brosse douce pour enlever la poussière accumulée sur les surfaces/ventilations externes.
4. Nettoyez le panneau en verre (ouverture du laser) avec une solution douce de nettoyage pour vitres ou de l'alcool isopropylique.
5. Appliquez la solution directement sur un chiffon de coton doux et non pelucheux ou un tissu de nettoyage d'objectif.
6. Essuyez soigneusement toute trace de saleté ou d'encrassement sur les bords extérieurs de la vitre.
7. Nettoyez en douceur la surface des lentilles jusqu'à ce que toute peluche ou trace ait disparue.



Toujours sécher les surfaces optiques attentivement après leur nettoyage.



- **Ne faites pas tourner le ventilateur de refroidissement en utilisant de l'air comprimé car vous pourriez l'endommager.**
- **N'ouvrez PAS cette unité lorsque vous procédez à son nettoyage ou sa révision.**

6. SPÉCIFICATIONS TECHNIQUES

Dimensions et Poids	Longueur	Largeur	Hauteur	Poids
	5,05 po (129 mm)	5,43 po (138 mm)	4,19 po (106 mm)	1 lb (0,5 kg)

A noter : Les dimensions en pouces sont arrondies à la décimale la plus proche.

Alimentation	Tension d'Entrée	Plage de fourniture d'alimentation externe	Sélection de Puissance
	12 VDC, 1 A	Entre 100 et 240 V CA, 50/60 Hz	Auto-variant
Paramètre	120 V, 60 Hz	230 V, 50 Hz	
Consumption	17 W	15 W	
Operating	0,2 A	0,1 A	

Batterie	Paramètre	
	Durée d'utilisation maximale	Jusqu'à 6 heures
Durée de chargement	Jusqu'à 5 heures	
E/S d'Alimentation	États-Unis/Monde Entier	Royaume-Uni/Europe
Prise du cordon d'alimentation	Edison (États-Unis)	Prise locale

Source Lumineuse

EZ Laser RGFY/RB

Type	Alimentation	Longueur d'Onde
Laser (vert)	30 mW	532 nm
Laser (rouge)	80 mW	650 nm
Laser (bleu)	100 mW	450 nm

Données photométriques	Paramètre	
	Angle de couverture	80°

Thermique	Température externe maximum du laser	Système de Refroidissement
	95 °F (35 °C)	Refroidissement par ventilateur

Commande	Nom de l'Appareil	Code de l'Article	Code UPC
	EZ Laser RGFY	10061112	781462214609
	EZ Laser RB	10061107	781462214555



RENOIS

Dans le cas où vous av besoin d'aide ou pour retourner un produit :

- Si vous résid aux États-Unis, contact le siège mondial de Chauvet.
- Si vous viv au Royaume-Uni ou en Irlande, contact Chauvet Europe Ltd.
- Si vous viv au Mexique, contact Chauvet Mexico.
- Si vous habit dans le Benelux, contact Chauvet Europe BVBA.
- Si vous résid n'importe où ailleurs, NE contact pas Chauvet. Contact votre revendeur. Rend-vous sur www.chauvetlighting.com pour découvrir la liste des revendeurs en dehors des États-Unis, du Royaume-Uni, de l'Irlande, Benelux ou du Mexique.



Si vous résid en dehors des États-Unis, du Royaume-Uni et de l'Irlande, contact votre revendeur et suiv leurs instructions quant à la procédure à suivre pour renvoyer votre appareil. Consult notre site Web www.chauvetlighting.com pour trouver leurs coordonnées.

Téléphon au centre d'assistance technique de Chauvet correspondant et demand un numéro d'autorisation de retour (NAR) avant de nous réexpédier l'appareil. Pour l'obtenir, il vous sera demandé de fournir le numéro du modèle, le numéro de série ainsi qu'une brève description de l'objet du retour.

Vous dev nous retourner la marchandise en port prépayé, dans ses boîte et emballage d'origine et avec tous ses accessoires. Chauvet ne délivrera pas d'étiquettes de renvoi.

Indiqu lisiblement le NAR sur une étiquette apposée sur le colis. Chauvet refusera la réception de tout appareil pour lequel aucun NAR n'a été demandé.



Inscriv le NAR sur une étiquette convenablement collée. N'écriv PAS le NAR directement sur le colis.

Avant de nous retourner le colis, inscriv les informations suivantes, de manière lisible, sur une feuille de papier, que vous placer à l'intérieur du colis:

- Votre nom
- Votre adresse
- Votre numéro de téléphone
- Le numéro de NAR
- Une courte description du problème

Veill à emballer l'appareil de manière adéquate. Vous ser tenu responsable de tout dommage survenant lors de l'expédition de retour dû à un emballage inadéquat. Nous vous recommandons d'utiliser un emballage double ou celui de FedEx.



Chauvet se réserve le droit, à sa convenance, de réparer ou remplacer tout appareil qui lui est retourné.

CONTACT Us

USA WORLD HEADQUARTERS

General Information

Address: 5200 NW 108th Avenue
Sunrise, FL 33351

Voice: (954) 577-4455

Fax: (954) 929-5560

Toll free: (800) 762-1084

Technical Support

Voice: (954) 577-4455 (Press 4)

Fax: (954) 756-8015

Email: tech@chauvetlighting.com

World Wide Web www.chauvetlighting.com

EUROPE

General Information - Chauvet Europe BVBA

Address: Stokstraat 18
9770 Kruishoutem

Belgium

Voice: +32 9 388 93 97

Technical Support

Email: Eutech@chauvetlighting.eu

World Wide Web www.chauvetlighting.eu

General Information - Chauvet Europe Ltd.

Address: Unit 1C
Brookhill Road Industrial Estate
Pinxton, Nottingham, UK
NG16 6NT

Voice: +44 (0)1773 511115

Fax: +44 (0)1773 511110

Technical Support

Email: uktech@chauvetlighting.com

World Wide Web www.chauvetlighting.co.uk

MEXICO

General Information - Chauvet Mexico

Address: Av. Santa Ana 30
Parque Industrial Lerma
Lerma, Mexico C.P. 52000

Voice: +52 (728) 285-5000

Technical Support

Email: servicio@chauvet.com.mx

World Wide Web www.chauvet.com.mx

Outside the U.S., United Kingdom, Ireland, Mexico, or Benelux contact the dealer of record. Follow their instructions to request support or to return a product. Visit our website for contact details.