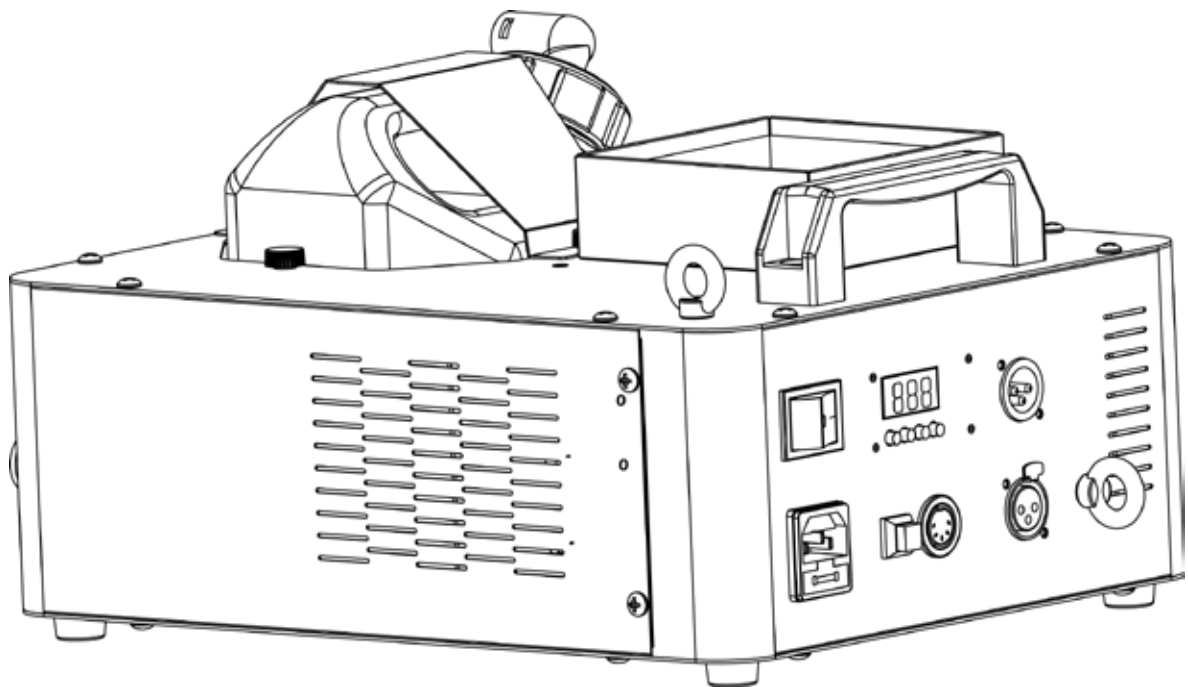


GEYSER P4



User Manual



CHAUVET[®]**3**

TABLE OF CONTENTS

| | |
|--|-----------|
| 1. Before You Begin | 3 |
| What is Included | 3 |
| Unpacking Instructions | 3 |
| Claims | 3 |
| Text Conventions | 3 |
| Symbols | 3 |
| Disclaimer | 3 |
| Product at a Glance | 3 |
| Safety Notes | 4 |
| 2. Introduction | 5 |
| Overview | 5 |
| Dimensions | 6 |
| 3. Setup | 7 |
| AC Power | 7 |
| Fuse Replacement | 7 |
| Mounting | 8 |
| Orientation | 8 |
| Rigging | 8 |
| Tank Inversion Steps for Inverted Mounting | 11 |
| 4. Operation | 12 |
| Control Panel Operation | 12 |
| Menu Map | 12 |
| DMX Personality and Starting Address | 12 |
| DMX Linking | 12 |
| Configuration (DMX) | 12 |
| Configuration (Standalone) | 14 |
| Programmable Color Selection <MANUAL> | 14 |
| Programmable Color Selection (Wireless Remote Control) | 14 |
| Wireless Remote Control | 14 |
| 5. Technical Information | 15 |
| Fogger Maintenance | 15 |
| Storage/ Maintenance | 15 |
| General Troubleshooting | 16 |
| 6. Technical Specifications | 17 |
| Returns | 18 |
| Contact Us | 19 |

1. BEFORE YOU BEGIN

What is Included

- Geysers P4
- Geysers Wireless Remote Control
- Geysers Wired Remote Receiver
- Power Cord
- Warranty Card
- Quick Reference Guide

Unpacking Instructions

Carefully unpack the product immediately and check the container to make sure all the parts are in the package and are in good condition.

Claims




If the box or the contents (the product and included accessories) appear damaged from shipping, or show signs of mishandling, notify the carrier immediately, not Chauvet. Failure to report damage to the carrier immediately may invalidate your claim. In addition, keep the box and contents for inspection.

For other issues, such as missing components or parts, damage not related to shipping, or concealed damage; file a claim with within 7 days of delivery.

Text Conventions

| Convention | Meaning |
|---------------------------|--|
| 1–512 | A range of values |
| 50/60 | A set of values of which only one can be chosen |
| Settings | A menu option not to be modified |
| Menu > Settings | A sequence of menu options to be followed |
| <ENTER> | A key to be pressed on the product's control panel |
| ON | A value to be entered or selected |

Symbols

| Symbol | Meaning |
|---|---|
|  | Critical installation, configuration, or operation information. Not following these instructions may make the product not work, cause damage to the product, or cause harm to the operator. |
|  | Important installation or configuration information. The product may not function correctly if this information is not used. |
|  | Useful information. |

Disclaimer

Chauvet believes that the information contained in this manual is accurate in all respects. However, Chauvet assumes no responsibility and specifically disclaims any and all liability to any party for any loss, damage or disruption caused by any errors or omissions in this document, whether such errors or omissions result from negligence, accident or any other cause. Chauvet reserves the right to revise the content of this document without any obligation to notify any person or company of such revision, however, Chauvet has no obligation to make, and does not commit to make, any such revisions. Download the latest version from www.chauvetlighting.com.

The works of authorship contained in this manual, including, but not limited to, all design, text and images are owned by Chauvet.

© Copyright 2016 Chauvet & Sons, LLC. All rights reserved.

Electronically published by Chauvet in the United States of America.

CHAUVET, the Chauvet logo, Geysers P4 and Geysers are registered trademarks or trademarks of Chauvet & Sons LLC. (d/b/a Chauvet and Chauvet Lighting) in the United States and other countries. Other company and product names and logos referred to herein may be trademarks of their respective companies.

Product at a Glance

| | | | |
|-----------------|---|--------------------------------|---|
| Use on Dimmer | X | Auto Programs | P |
| Outdoor Use | X | Fixed voltage (120 V or 230 V) | P |
| Sound-Activated | X | Replaceable Fuse | P |
| DMX | X | User-Serviceable | X |
| Master/Slave | X | | |

Safety Notes

These notes include important information about the mounting, usage, and maintenance of this product; read before using the product.



- Always connect the product to a grounded circuit to avoid the risk of electrocution.
- Always disconnect the product from the power source before cleaning or replacing the fuse.
- Avoid direct eye exposure to the light source while the product is on.
- Make sure the power cord is not crimped or damaged.
- Never disconnect the product from power by pulling or tugging on the cord.
- If mounting the product overhead, always secure to a fastening device using a safety cable.
- Make sure there are no flammable materials close to the product when operating.
- Do not touch the product's housing when operating because it may be very hot.
- Do not mount the product on a flammable surface (linoleum, carpet, wood, paper, carton, plastic, etc.).
- The product's nozzle is very hot during operation and it remains hot for a long time after operation has stopped.
- The fog exits the nozzle at a very high temperature. Keep a minimum distance of 6.5 ft (2 m) from the nozzle to the nearest object.
- Do not use the product as a space heater.
- Do not drink or become in contact with the fog fluid. If you do, call your local emergency service (911 in the US) for help.
- Do not add perfume, alcohol, gasoline, or any other flammables to the fog fluid.



- Always make sure that the voltage of the outlet to which you are connecting the product is within the range stated on the decal or panel of the product.
- The product is for indoor use only! (IP20) To prevent risk of fire or shock, do not expose the product to rain or moisture.
- Always install the product in a location with adequate ventilation, at least 20 in (50 cm) from adjacent surfaces.
- Be sure that no ventilation slots on the product's housing are blocked.
- Make sure there is adequate fog fluid in the machine to prevent pump and heater damage.
- Never connect the product to a dimmer.
- Make sure to replace the fuse with another of the same type and rating.
- Never carry the product by the power cord or any moving part. Always use the handles.
- The maximum ambient temperature (Ta) is 104 °F (40 °C). Do not operate the product at higher temperatures.
- In the event of a serious operating problem, stop using the product immediately.
- Never try to repair the product. Repairs carried out by unskilled people can lead to damage or malfunction. Contact the nearest authorized technical assistance center.
- This product is not intended for permanent installation.
- Use only CHAUVET® water-based fog fluid.
- Drain the tank before transporting the product.
- To eliminate unnecessary wear and improve its lifespan, during periods of non-use completely disconnect the product from power via breaker or by unplugging it.



Keep this User Manual for future use. If you sell the product to another user, be sure to give this document to the next owner.



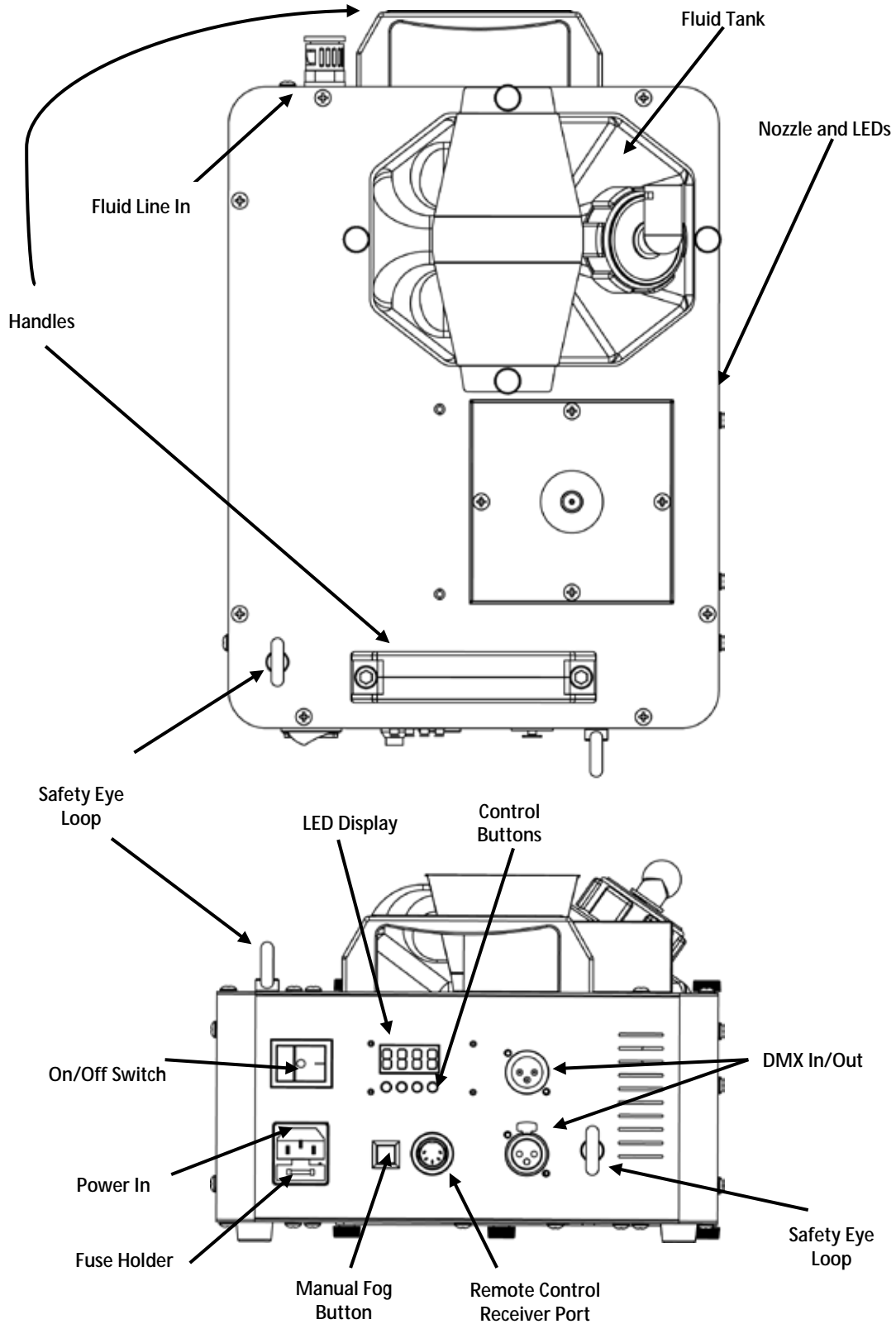
Fog Cleaner Quart (FCQ) was specifically developed by Chauvet to clean your Geyser P4. Make sure you use FCQ regularly, no longer than 90 days between cleanings, to increase the life of your fogger.



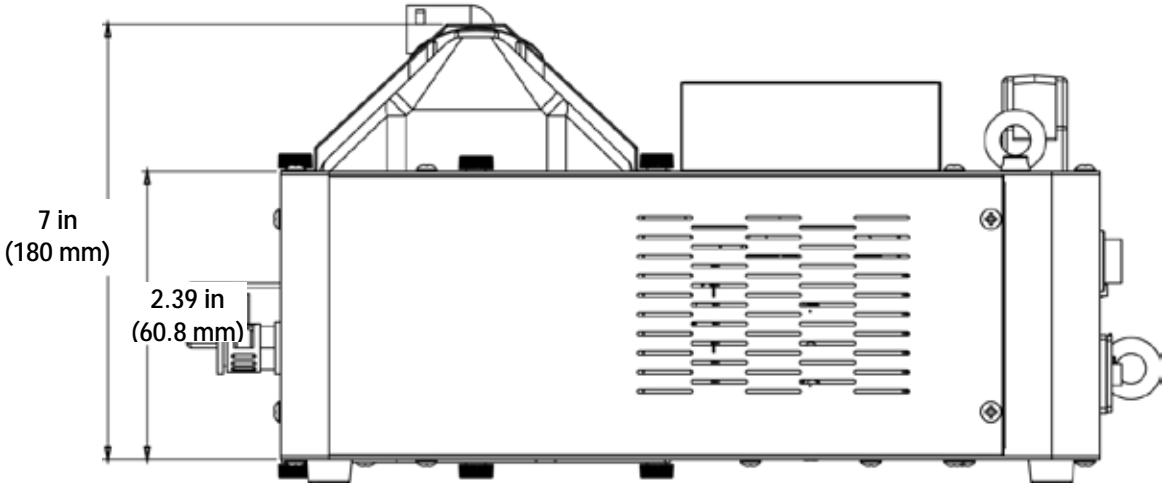
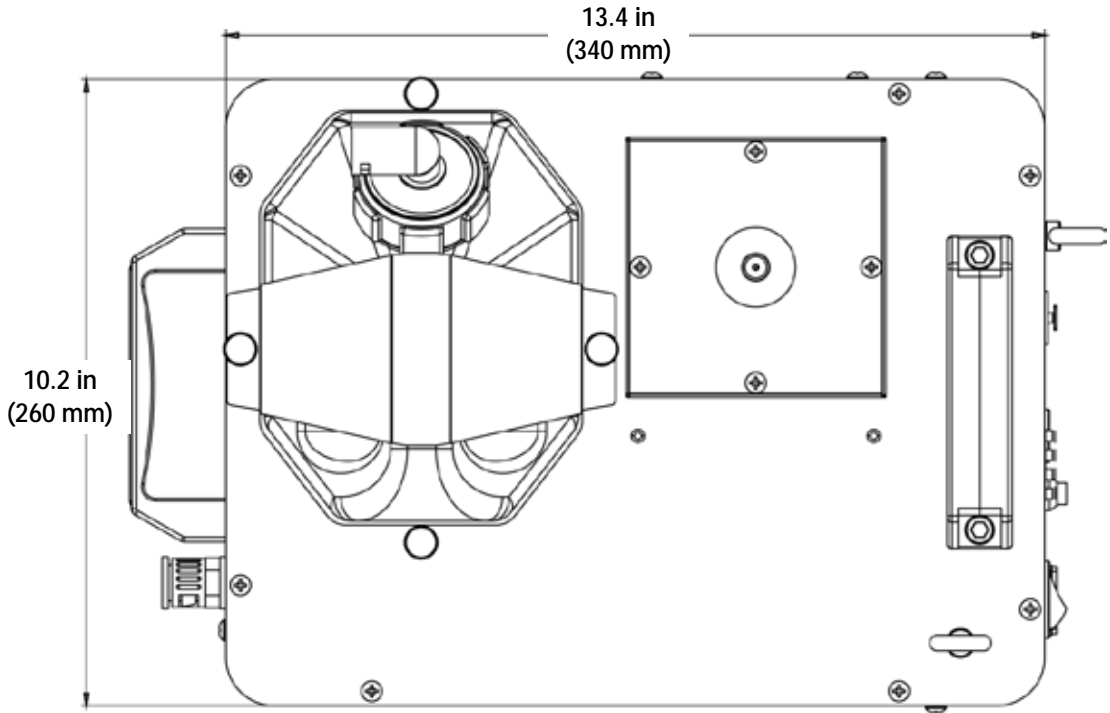
The Geyser P4 was specifically designed for use with CHAUVET® Quick Dissipating Fluid (QDF). For optimum performance with your fogger, Chauvet recommends using QDF.

2. INTRODUCTION

Overview



Dimensions



3. SETUP

AC Power The Geyser P4 has a fixed voltage power supply and it can work with an input voltage of either 120 VAC, 60 Hz or 230 VAC, 50 Hz, depending on the specific model.

To determine the product's power requirements (circuit breaker, power outlet, and wiring), use the current value listed on the label affixed to the product's panel, or refer to the product's specifications chart. The listed current rating indicates the product's average current draw under normal conditions.



Always connect the product to a protected circuit (circuit breaker or fuse). Make sure the product has an appropriate electrical ground to avoid the risk of electrocution or fire.



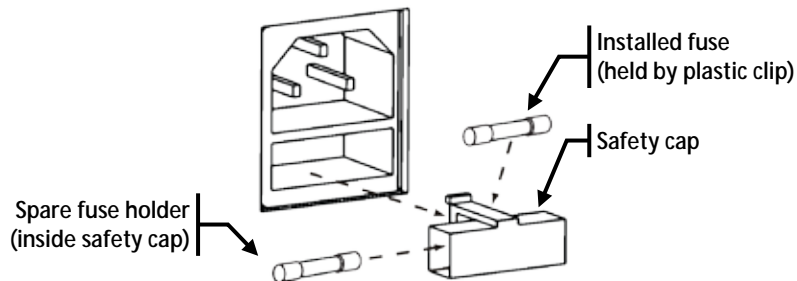
Never connect the product to a rheostat (variable resistor) or dimmer circuit, even if the rheostat or dimmer channel serves only as a 0–100% switch.

Fuse Replacement



Disconnect the product from power before replacing the fuse.

1. Disconnect the product from power.
2. Wedge the tip of a flat-head screwdriver into the slot of the fuse holder.
3. Pry the fuse holder out of the housing.
4. Remove the blown fuse from the holder.
5. Replace with a fuse of the exact same type and rating.
6. Insert the fuse holder back in place and reconnect power.



A spare fuse is not included; however, the safety cap has room for a spare.

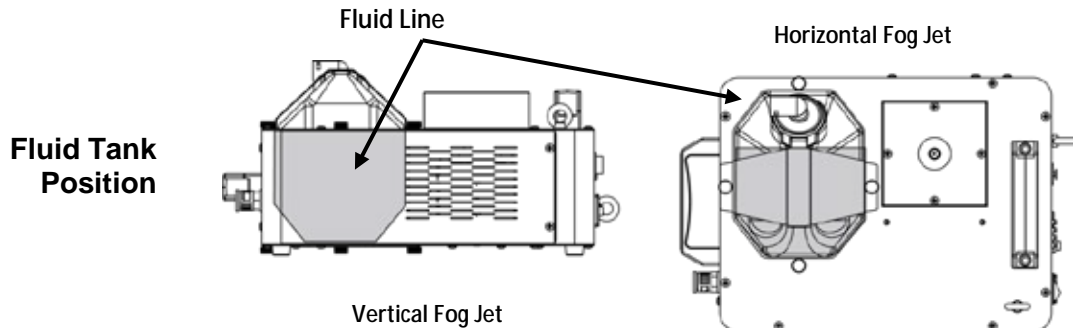


Always replace a blown fuse with another of the same type and rating.

Mounting Before mounting the product, read and follow the safety recommendations indicated in the [Safety Notes](#).

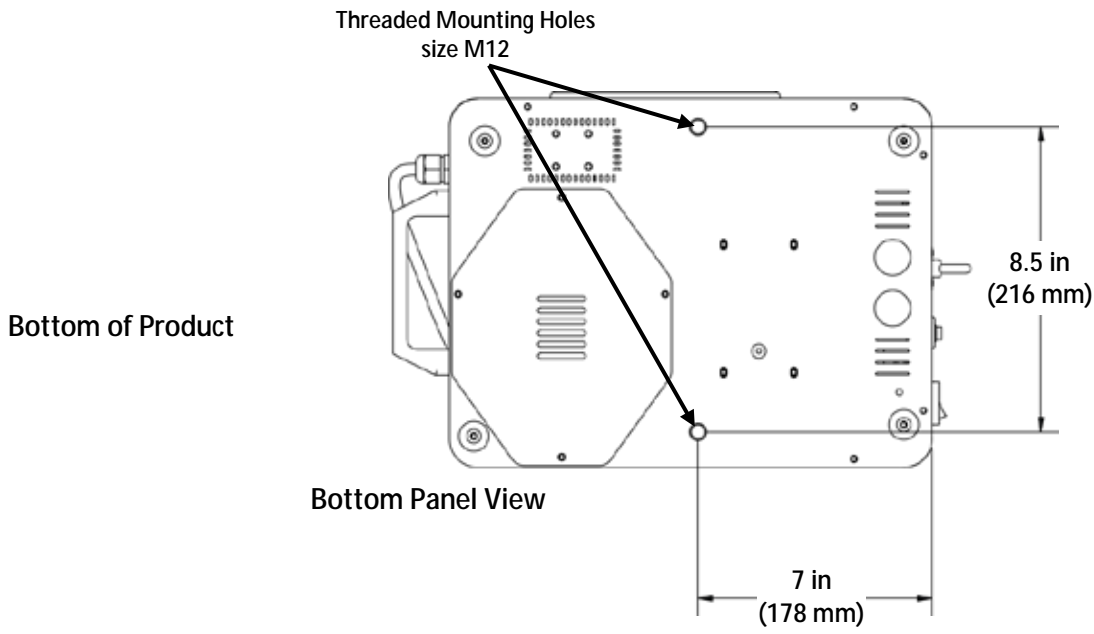
Orientation Primarily, the Geyser P4 is to be floor mounted in a vertical fog jet orientation. Alternatively, it may also be mounted in a floor mounting/horizontal fog jet orientation or in an overhead mounting/downward fog jet orientation; however, be sure to follow instructions closely to avoid tank spills with alternate mountings.


- Rigging**
- Before deciding on a location, always make sure there is easy access to the product for maintenance and fluid replenishment.
 - Make sure that the structure or surface onto which you are mounting the product can support the product's weight (see the [Technical Specifications](#)).
 - When mounting the product overhead, always use a safety cable. Mount the product securely to a rigging point, such as an elevated platform or a truss.
 - When rigging the product onto a truss, you should use mounting clamps of appropriate weight capacity. Two threaded mounting holes (size M12) are on the bottom of the product, which are appropriate for this purpose.
 - The rubber feet also serve as floor supports. When mounting the product on the floor, make sure that the product and cables are away from people and vehicles.

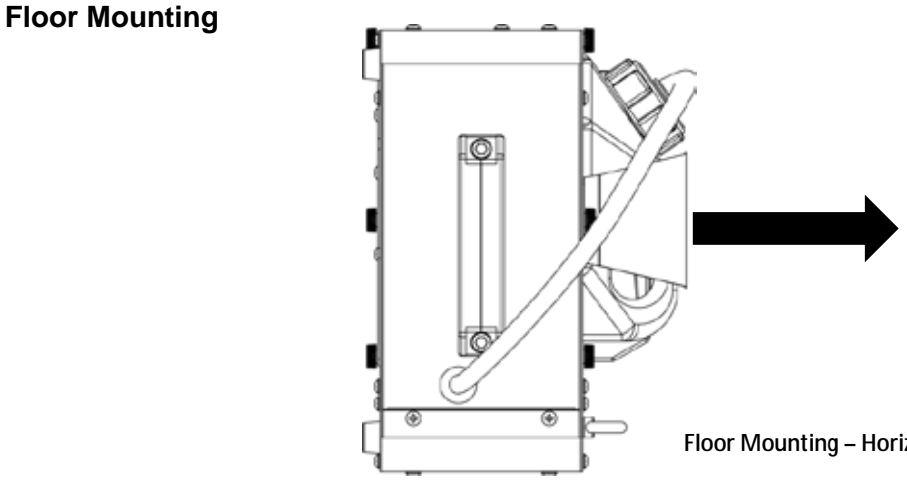
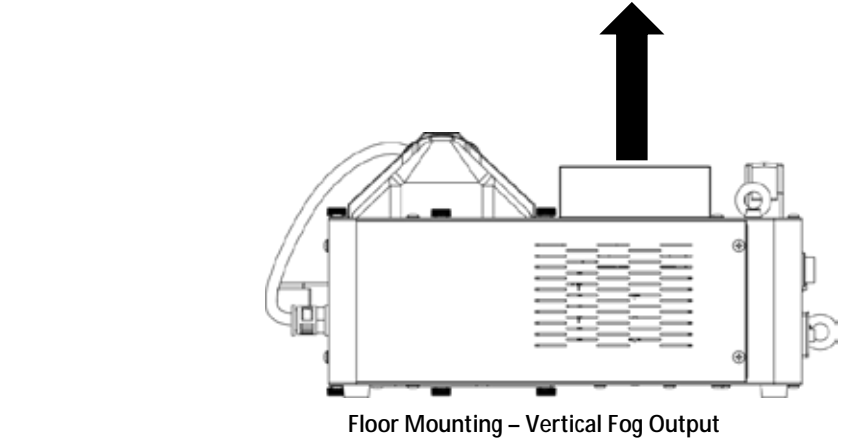


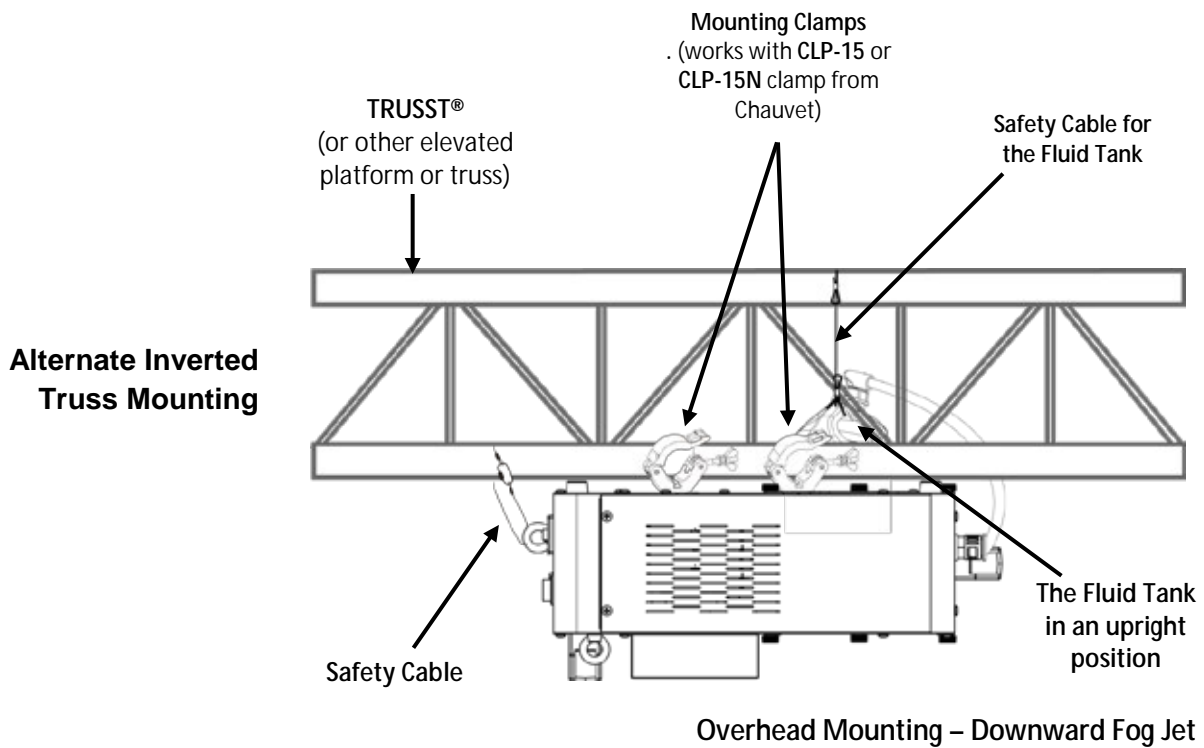
To avoid spillage with any mounting, always position the fluid tank with the tank's cap in the uppermost position above the tank's fluid line.

When mounting the Geyser P4 in any inverted position, remove the fluid tank from the holder and set it upright on an adjacent surface.



 The dimensions shown for the mounting hole positions are included here to aid in installation.

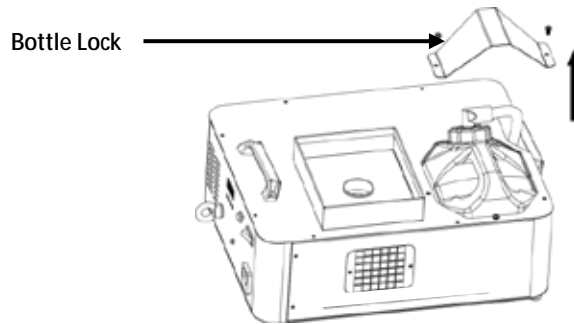




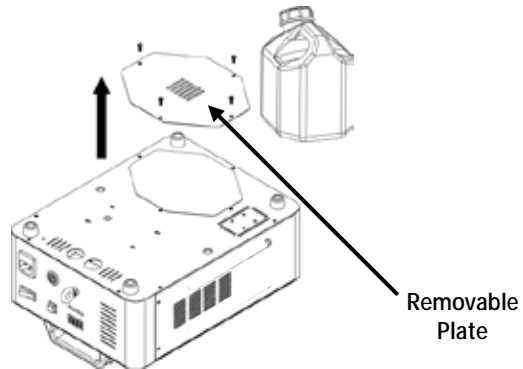
With inverted mounting, avoid spillage of the fog fluid by setting the fluid tank in an upright position. Be sure to use a safety cable for both the Geyser P4 and the fluid tank when rigging in this manner.

Tank Inversion Steps for Inverted Mounting

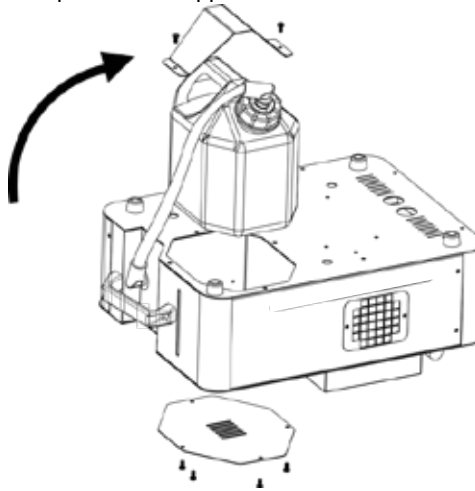
1. Empty the fluid from the product.
2. Remove the screws and the bottle lock to take out the tank.



3. Turn the fog machine upside down, remove the screws and set aside to take off the removable plate.



4. Attach the removable plate to the opposite side and secure the tank with the bottle lock.



5. Secure both the bottom plate and tank cover with the screws.

***Actual product may vary slightly from photo**

4. OPERATION

Control Panel Operation

To access the control panel functions, use the four buttons located underneath the display.

| Button | Function |
|---------|--|
| <MENU> | Selects an operation mode or to backs out of the current menu option |
| <UP> | Scrolls up the list of options or selects a higher value |
| <DOWN> | Scrolls down the list of options or selects a lower value |
| <ENTER> | Activates a menu option or a selected value |

Menu Map

| Mode | Programming Steps | | Description |
|------------------------|-------------------|----------------|--|
| DMX | Addr | d _1–d 503 | Selects DMX starting Address |
| Manual Color Program | nCoL | P 0 (blackout) | Color program off (default) for <MANUAL> button |
| | | P1 –P32 | Selects preset colors for <MANUAL> button |
| Wireless Color Program | CH-1 – CH-4 | P1-1–P1-32 | Selects preset color program for wireless remote operation |
| Temperature Gauge | Ht | T _ _ _ | Shows current temperature of product |



The Geyser P4 Wireless Remote Control buttons 1–4 trigger the options set in the color programs CH-1–CH-4, respectively.

DMX Personality and Starting Address

When selecting a starting DMX address, always consider the number of DMX channels the selected DMX mode uses. If you choose a starting address that is too high, you could restrict the access to some of the product's channels.

The Geyser P4 uses up to 10 DMX channels in a 10CH DMX mode, which defines the highest configurable address to **503**.

If you are not familiar with the DMX protocol, download the DMX Primer from www.chauvetlighting.com.

To select the starting address, do the following:

1. Press <MENU> repeatedly until **Addr** shows on the display.
2. Press <ENTER> and **d 1–503** will show on the display.
3. Use <UP> or <DOWN> to select the starting address.
4. Press <ENTER>.

DMX Linking

The Geyser P4 works with a DMX controller. Information about DMX is in the CHAUVET DMX Primer, which is available from the Chauvet website http://www.chauvetlighting.com/downloads/DMX_Primer_rev05_WO.pdf.

Configuration (DMX)

Set the product in DMX mode (**Addr**) to control with a DMX controller.

1. Connect the product to a suitable power outlet.
2. Connect a DMX cable from the DMX output of the DMX controller to the DMX input socket on the product.

DMX Channel Assignments and Values

| 10CH | Channel | Function | Value | Percent/Setting |
|-----------|-------------------|----------|-----------|----------------------|
| 1 | Fog | | 000 ó 002 | No function |
| | | | 003 ó 255 | Fog output On |
| 2 | Red | | 000 ó 002 | No function |
| | | | 003 ó 255 | 0–100% |
| 3 | Green | | 000 ó 002 | No function |
| | | | 003 ó 255 | 0–100% |
| 4 | Blue | | 000 ó 002 | No function |
| | | | 003 ó 255 | 0–100% |
| 5 | Amber | | 000 ó 002 | No function |
| | | | 003 ó 255 | 0–100% |
| 6 | UV | | 000 ó 002 | No function |
| | | | 003 ó 255 | 0–100% |
| 7 | Color Macros | | 000 ó 009 | No function |
| | | | 010 ó 017 | Color Macro 1 |
| | | | 018 ó 025 | Color Macro 2 |
| | | | 026 ó 033 | Color Macro 3 |
| | | | 034 ó 041 | Color Macro 4 |
| | | | 042 ó 049 | Color Macro 5 |
| | | | 050 ó 057 | Color Macro 6 |
| | | | 058 ó 065 | Color Macro 7 |
| | | | 066 ó 073 | Color Macro 8 |
| | | | 074 ó 081 | Color Macro 9 |
| | | | 082 ó 089 | Color Macro 10 |
| | | | 090 ó 097 | Color Macro 11 |
| | | | 098 ó 105 | Color Macro 12 |
| | | | 106 ó 113 | Color Macro 13 |
| | | | 114 ó 121 | Color Macro 14 |
| | | | 122 ó 129 | Color Macro 15 |
| | | | 130 ó 137 | Color Macro 16 |
| | | | 138 ó 145 | Color Macro 17 |
| | | | 146 ó 153 | Color Macro 18 |
| | | | 154 ó 161 | Color Macro 19 |
| | | | 162 ó 169 | Color Macro 20 |
| | | | 170 ó 177 | Color Macro 21 |
| | | | 178 ó 185 | Color Macro 22 |
| | | | 186 ó 193 | Color Macro 23 |
| | | | 194 ó 201 | Color Macro 24 |
| | | | 202 ó 209 | Color Macro 25 |
| | | | 210 ó 217 | No Function |
| | | | 218 ó 225 | Color Macro 26 |
| | | | 226 ó 233 | Color Macro 27 |
| 234 ó 241 | Color Macro 28 | | | |
| 242 ó 249 | Color Macro 29 | | | |
| 8 | Color Macro Speed | | 000 ó 009 | No function |
| | | | 010 ó 255 | Speed, slow to fast |
| 9 | Strobe | | 000 ó 009 | No function |
| | | | 010 ó 255 | Strobe, slow to fast |
| 10 | Dimmer | | 000 ó 002 | No function |
| | | | 003 ó 255 | 0–100% |

Configuration (Standalone)

To control the product without a DMX controller;

1. Connect the product to a suitable power outlet.
2. Turn the product on.
3. Set it to be triggered for either up-close or with the wireless remote.

Programmable Color Selection <MANUAL>

To select the preset color program when using the <MANUAL> button on the product, follow the instructions below:

1. Press <MENU> repeatedly until **nCoL** shows on the display.
2. Press <ENTER>.
3. Use <UP> or <DOWN> to select either **P 0** (for blackout) or **P 1–P32** (to choose one of 32 preset colors).
4. Press <ENTER>.
5. Use <UP> or <DOWN> to scroll through **P 1–P32**.
6. To select that program color, press <ENTER>.

Programmable Color Selection (Wireless Remote Control)

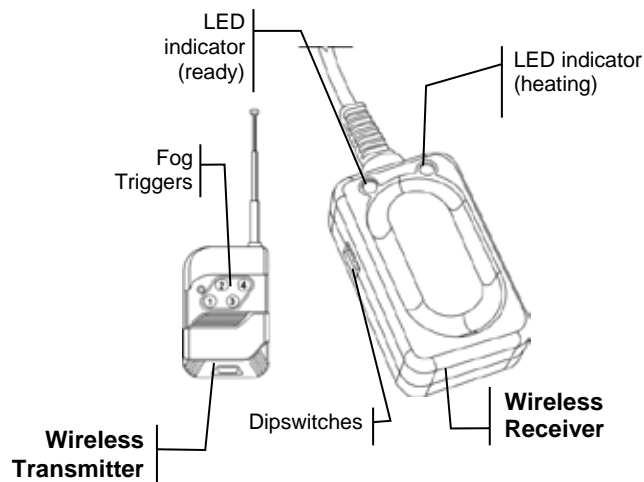
To select the preset color program using the wireless remote control, follow the instructions below:

1. Press <MENU> repeatedly until **CH-1–CH-4** shows on the display. Select **CH-1**, **CH-2**, **CH-3**, or **CH-4** to choose that color program.

Note: The color program numbers correspond with the numbered buttons on the wireless transmitter.

2. Press <ENTER>.
3. Use <UP> or <DOWN> to select **P1 1–P1 32** (to choose one of 32 preset color programs).
4. Press <ENTER>.
5. Repeat steps 1–4 to configure the other buttons for the remote.

Wireless Remote Control



To trigger fog output and activate the color program using the wireless remote control, do the following:

1. Plug the wireless receiver into the Remote Control Receiver port on the side of the Geyser P4
2. On the wireless transmitter, press the button assigned to the color program (**1–4**). The Geyser P4 emits fog and activates the color program for as long as you hold down the button.

5. TECHNICAL INFORMATION

Fogger Maintenance

Do not allow the fogger to become clogged. After every 40 hours of continuous operation, use CHAUVET Fog Cleaner Quart (FCQ) through the system to prevent the accumulation of particulate matter in the heating element.

The recommended cleaning procedure is as follows.

1. Unplug the product from power.
2. Empty all fog fluid from the machine.
3. Add cleaning solution to the tank.
4. Plug in the product and allow it to warm up.
5. Run the machine in a well-ventilated area until the tank is almost empty. **Do not allow the pump to run dry!**
6. Refill with fog fluid. Run the machine briefly to clear any cleaning solution from the pump and heater.



Fog Cleaner Quart (FCQ) was specifically developed by Chauvet to clean your Geyser P4. Make sure you use FCQ regularly, no longer than 90 days between cleanings, to increase the life of your fogger.

Storage/ Maintenance

Before storing the fogger, run FCQ through the system as described in the cleaning procedure above; however, only follow steps 1 through 5. **Do not refill the tank with fog fluid if storing the fogger.** Cleaning the system prior to storage will help prevent any particles from condensing inside the pump or heater while not in use.



Test-run your Geyser P4 on a monthly basis to achieve the best performance.

General Troubleshooting

| Symptom | Display | Possible Cause | Possible Action |
|--|------------------|--|---|
| No output or low output or fog machine is spitting fluid | "Addr" or "HEAT" | Wrong fluid | Clean thoroughly with CHAUVET® FCQ. For full instructions, see Fogger Maintenance . Refill with CHAUVET® water-based fog fluid. |
| | | Blocked pipes or failing part | Contact Customer Service |
| Circuit breaker or fuse keeps blowing | Off | Excessive load on the circuit | Make sure that the total load does not exceed 80% of the breaker or fuse nominal current |
| | | Short circuit along the power lines | Check the power lines and power cords |
| Product does not power up | Off | No energy on power outlet | Check power outlet Change to another outlet |
| | | Loose or damaged power cord | Check the power cord |
| | | Blown fuse | Replace blown fuse with a good one of the same type and rating |
| | | Internal problem | Send product for repair |
| Product does not output fog | "Addr" or "HEAT" | No fluid | Turn the product off and replenish the fog fluid (use only CHAUVET® water-based fog fluid) |
| | | Heater or pump clogged | Clean thoroughly with CHAUVET® FCQ. For full instructions, see Fogger Maintenance . Refill with CHAUVET® water-based fog fluid. |
| | | Wired remote disconnected or defective | Make sure that the remote is connected Try the remote on another Geyser P4 if available |
| | | Inappropriate wired remote operation | See Wireless Remote Control for instructions |
| | | Wireless remote receiver not connected | Make sure that the wireless remote receiver is connected |
| | | Wireless remote transmitter ran out of battery | Replace battery on wireless remote transmitter |
| | | Internal problem | Send the product for repair |



If you still experience problems after trying the above solutions, contact Chauvet Technical Support.

6. TECHNICAL SPECIFICATIONS

| | | | | |
|---|-------------------------------|-------------------------------------|--------------------------|------------------|
| Dimensions and Weight | Length | Width | Height | Weight |
| | 13.4 in (340 mm) | 10.2 in (260 mm) | 7 in (180 mm) | 12.4 lb (5.6 kg) |
| Note: Dimensions in inches rounded to the nearest decimal digit. | | | | |
| Power | Power Supply Type | Range | Voltage Selection | |
| | Model-specific | 120 VAC, 60 Hz or 230 VAC, 50 Hz | Fixed | |
| | Parameter | 120 V, 60 Hz | 230 V, 50 Hz | |
| | Consumption | 1300 W | 1300 W | |
| | Operating current | 10.6 A | 5.6 A | |
| | Fuse | F 13 A, 250 V | F 13 A, 250 V | |
| | Power I/O | US/Worldwide | UK/Europe | |
| Power input connector | IEC | IEC | | |
| Power output connector | Edison | IEC | | |
| Power Cord plug | Edison (US) | Local plug | | |
| Light Source | Type | Power | Lifespan | |
| | LED | 7.3 W | 50,000 hours | |
| | Parameter | | | |
| | Illuminance | 485 lux @ 2 m | | |
| | Color | Quantity | Current | |
| RGBA+UV | 4 | 2.5 A | | |
| Operation/Capacity/Consumption | Heat-up Time | Tank Capacity | Fluid Consumption | |
| | 2 min | 2.5 l (0.7 gal) | 80 ml/min | |
| Misc. | Output | | | |
| | 13,500 cfm | | | |
| Thermal | Maximum External Temp. | Cooling System | | |
| | 104 °F (40 °C) | Convection | | |
| Ordering | Product Name | Item Code | UPC Number | |
| | Geyser P4 (120 V) | 09071156 | 781462215040 | |
| | Geyser P4 (230 V) | 09071157 | 781462215057 | |



To return a product or request support:

- In the U.S., contact Chauvet World Headquarters (see [Contact Us](#)).
- In the UK or Ireland, contact Chauvet Europe Ltd. (see [Contact Us](#)).
- In Mexico, contact Chauvet Mexico (see [Contact Us](#)).
- In Benelux, contact Chauvet Europe BVBA (see [Contact Us](#)).
- In any other country, DO NOT contact Chauvet. Contact your distributor. See www.chauvetlighting.com for distributors outside the U.S., United Kingdom, Ireland, Mexico, or Benelux.



If you live outside the U.S., United Kingdom, Ireland, Mexico, or Benelux, contact your distributor of record and follow their instructions on how to return Chauvet products to them. Visit our website for contact details.

Returns

Call the corresponding Chauvet Technical Support office and request a Return Merchandise Authorization (RMA) number before shipping the product. Be prepared to provide the model number, serial number, and a brief description of the cause for the return.

You must send the merchandise prepaid, in its original box, and with its original packing and accessories. Chauvet will not issue call tags.

Clearly label the package with the RMA number. Chauvet will refuse any product returned without an RMA number.



Write the RMA number on a properly affixed label. DO NOT write the RMA number directly on the box.

Before sending the product, clearly write the following information on a piece of paper and place it inside the box:

- Your name
- Your address
- Your phone number
- RMA number
- A brief description of the problem

Be sure to pack the product properly. Any shipping damage resulting from inadequate packaging will be your responsibility. FedEx packing or double-boxing are recommended.



Chauvet reserves the right to use its own discretion to repair or replace returned product(s).

CONTACT US

USA WORLD HEADQUARTERS

General Information – Chauvet

Address: 5200 NW 108th Avenue
Sunrise, FL 33351

Voice: (954) 577-4455

Fax: (954) 929-5560

Toll free: (800) 762-1084

Technical Support

Voice: (844) 393-7575

Fax: (954) 756-8015

Email:

chauvetcs@chauvetlighting.com

World Wide Web

www.chauvetlighting.com

EUROPE

General Information - Chauvet Europe BVBA

Address: Stokstraat 18
9770 Kruishoutem
Belgium

Voice: +32 9 388 93 97

Technical Support

Email:

Eutech@chauvetlighting.eu

World Wide Web

www.chauvetlighting.eu

General Information - Chauvet Europe Ltd.

Address: Unit 1C
Brookhill Road Industrial Estate
Pinxton, Nottingham, UK
NG16 6NT

Voice: +44 (0)1773 511115

Fax: +44 (0)1773 511110

Technical Support

Email:

uktech@chauvetlighting.com

World Wide Web

www.chauvetlighting.co.uk

MEXICO

General Information - Chauvet Mexico

Address: Av. de las Partidas 34 - 3B, Zona
Industrial Lerma
Lerma, Edo. de Mexico C.P. 52000

Voice: +52 (728) 285-5000

Technical Support

Email: servicio@chauvet.com.mx

World Wide Web

www.chauvet.com.mx

Visit the applicable website above to verify our contact information and instructions to request support. Outside the U.S., United Kingdom, Ireland, Mexico or Benelux, contact the dealer of record.