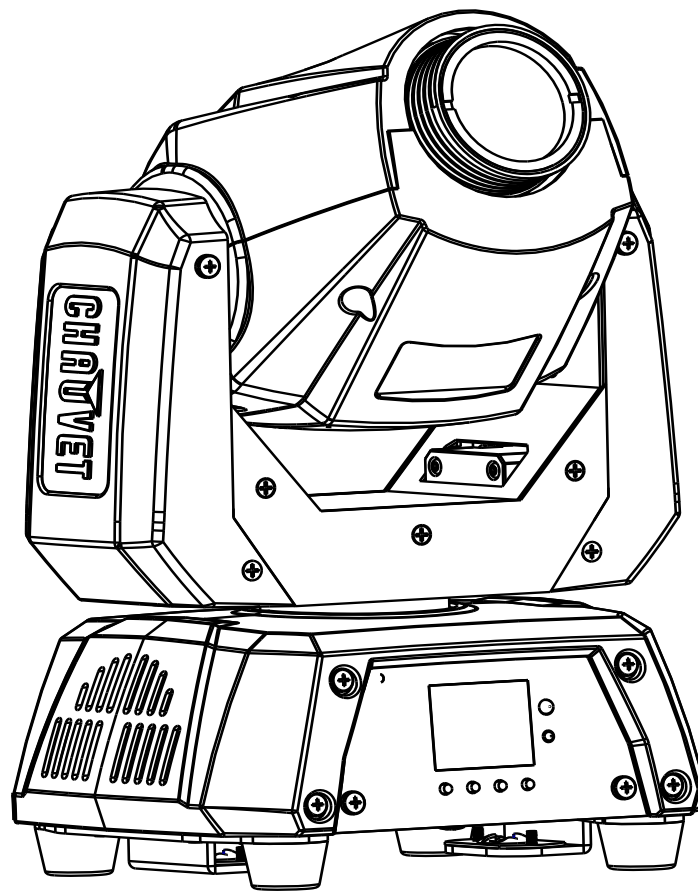


# INTIMIDATOR

## SPOT 160

### User Manual



**TABLE OF CONTENTS**

<b>1. Before You Begin .....</b>	<b>1</b>
What Is Included .....	1
Unpacking Instructions .....	1
Claims .....	1
Text Conventions .....	1
Symbols .....	1
Disclaimer .....	1
Intellectual Property .....	1
Safety Notes.....	2
<b>2. Introduction.....</b>	<b>3</b>
Product Overview.....	3
Product Dimensions.....	3
<b>3. Setup.....</b>	<b>4</b>
AC Power .....	4
Fuse Replacement.....	4
Power Linking.....	4
Mounting .....	5
Orientation.....	5
Rigging .....	5
<b>4. Operation.....</b>	<b>6</b>
Control Panel Operation.....	6
Menu Map .....	6
Configuration (DMX) .....	7
Starting Address.....	7
DMX Personalities.....	8
DMX Channel Assignments and Values .....	8
Gobos.....	8
11CH.....	8
05CH.....	11
Configuration (Standalone) .....	12
Automatic Programs.....	12
Sound-Active Mode.....	12
Sound Sensitivity .....	12
Manual Mode .....	12
Configuration (Settings) .....	13
Pan Reverse .....	13
Tilt Reverse .....	13
Screen Reverse .....	13
Pan Angle.....	13
Tilt Angle .....	13
Totem Mode .....	14
Indicator .....	14
Flash if DMX.....	14
Reset.....	14
Factory Reset.....	14
System Information .....	14
IRC-6 Infrared Remote Control .....	15
IRC-6 Operation .....	15
Master/Slave Mode .....	16
<b>5. Maintenance.....</b>	<b>17</b>
Product Maintenance .....	17
<b>6. Technical Specifications.....</b>	<b>18</b>
<b>7. Returns.....</b>	<b>19</b>
<b>8. Contact Us.....</b>	<b>20</b>

# 1. Before You Begin

## What Is Included

- Intimidator Spot 160
- Power cord
- Hanging bracket
- Quick Reference Guide

## Unpacking Instructions

Carefully unpack the product immediately and check the container to make sure all the parts are in the package and are in good condition.

## Claims




If the box or the contents (the product and included accessories) appear damaged from shipping, or show signs of mishandling, notify the carrier immediately, not Chauvet. Failure to report damage to the carrier immediately may invalidate your claim. In addition, keep the box and contents for inspection.

For other issues, such as missing components or parts, damage not related to shipping, or concealed damage, file a claim with Chauvet within 7 days of delivery.

## Text Conventions

Convention	Meaning
<b>1–512</b>	A range of values
<b>50/60</b>	A set of values of which only one can be chosen
<b>Settings</b>	A menu option not to be modified
<b>&lt;ENTER&gt;</b>	A key to be pressed on the product’s control panel
<b>ON</b>	A value to be entered or selected

## Symbols

Symbol	Meaning
	Critical installation, configuration, or operation information. Not following these instructions may make the product not work, cause damage to the product, or cause harm to the operator.
	Important installation or configuration information. The product may not function correctly if this information is not used.
	Useful information.

## Disclaimer

Chauvet believes that the information contained in this manual is accurate in all respects. However, Chauvet assumes no responsibility and specifically disclaims any and all liability to any party for any loss, damage or disruption caused by any errors or omissions in this document, whether such errors or omissions result from negligence, accident, or any other cause. Chauvet reserves the right to revise the content of this document without any obligation to notify any person or company of such revision, however, Chauvet has no obligation to make, and does not commit to make, any such revisions. Download the latest version from [www.chauvetdj.com](http://www.chauvetdj.com).

## Intellectual Property

The works of authorship contained in this manual, including, but not limited to, all design, text, and images are owned by Chauvet.

© Copyright 2021 Chauvet & Sons, LLC. All rights reserved.

Electronically published by Chauvet in the United States of America.

CHAUVET, the Chauvet logo, and Intimidator Spot 160 are registered trademarks or trademarks of Chauvet & Sons LLC (d/b/a Chauvet and Chauvet Lighting) in the United States and other countries. Other company and product names and logos referred to herein may be trademarks of their respective companies.

### Safety Notes



- This product is not intended for permanent installation.
- Always connect the product to a grounded circuit to avoid the risk of electrocution.
- Always disconnect the product from the power source before cleaning or replacing the fuse.
- Avoid direct eye exposure to the light source while the product is on.
- Make sure the power cord is not crimped or damaged.
- Never disconnect the product from power by pulling or tugging on the cord.
- If mounting the product overhead, always secure to a fastening device using a safety cable.
- Make sure there are no flammable materials close to the product when operating.
- Do not touch the product's housing when operating because it may be very hot.



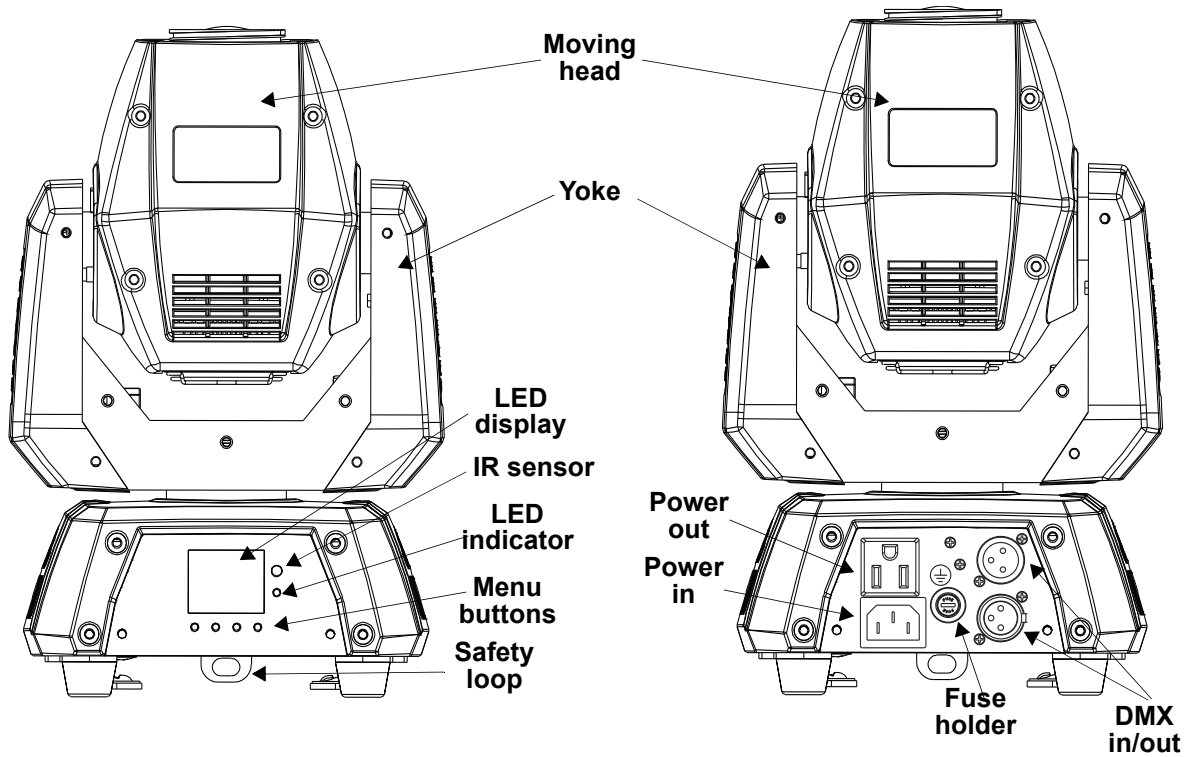
- The voltage of the outlet to which you are connecting this product must be within the range stated on the decal or rear panel of the product.
- The product is for indoor use only! (IP20) To prevent risk of fire or shock, do not expose the product to rain or moisture.
- Always install the product in a location with adequate ventilation, at least 20 in (50 cm) from adjacent surfaces.
- Be sure that no ventilation slots on the product's housing are blocked.
- Never connect the product to a dimmer or rheostat.
- Make sure to replace the fuse with another of the same type and rating.
- Never carry the product from the power cord or any moving part. Always use the handles.
- The maximum ambient temperature is 104 °F (40 °C). Do not operate this product at higher temperatures.
- In the event of a serious operating problem, stop using the product immediately.
- Do not open this product. It contains no user-serviceable parts.
- To eliminate unnecessary wear and improve its lifespan, during periods of non-use completely disconnect the product from power via breaker or by unplugging it.



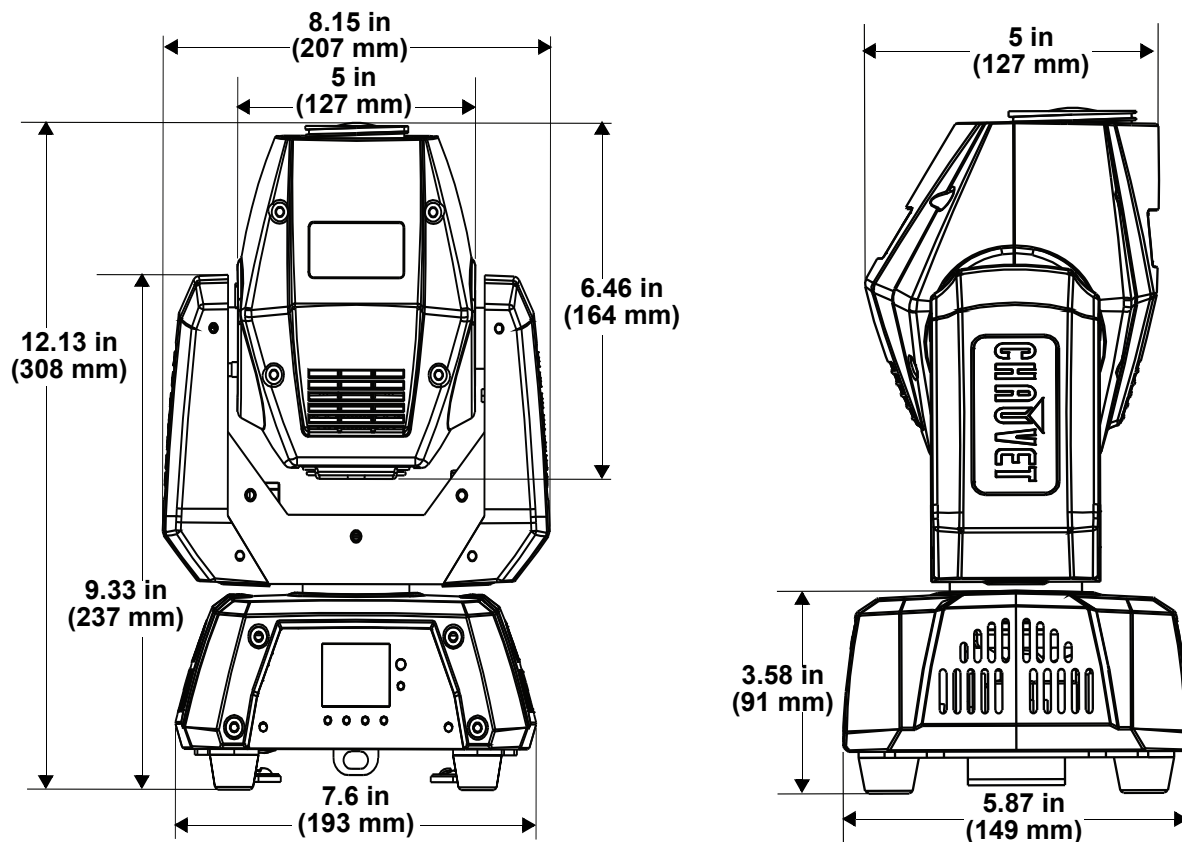
Keep this User Manual for future use. If the product is sold to someone else, be sure that they receive this document.

## 2. Introduction

### Product Overview



### Product Dimensions



### 3. Setup

#### AC Power

The Intimidator Spot 160 has an auto-ranging power supply, and it can work with an input voltage range of 100 to 240 VAC, 50/60 Hz.

To determine the product's power requirements (circuit breaker, power outlet, and wiring), use the current value listed on the label affixed to the product's back panel, or refer to the product's specifications chart.

The listed current rating indicates the product's average current draw under normal conditions.



- **Always connect the product to a protected circuit (a circuit breaker or fuse). Make sure the product has an appropriate electrical ground to avoid the risk of electrocution or fire.**
- **To eliminate unnecessary wear and improve its lifespan, during periods of non-use, completely disconnect the product from power via breaker or by unplugging it.**



**Never connect the product to a rheostat (variable resistor) or dimmer circuit, even if the rheostat or dimmer channel serves only as a 0–100% switch.**

#### Fuse Replacement

1. Disconnect the product from power.
2. Using a flat-head screwdriver, unscrew the fuse holder cap from the housing.
3. Remove the blown fuse.
4. Replace with a fuse of the same type and rating.
5. Screw the fuse holder cap back in place and reconnect power.

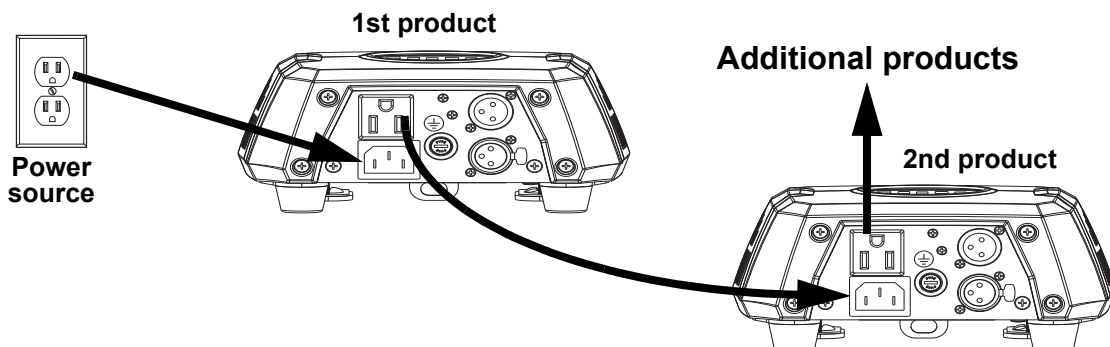


**Disconnect the product from the power outlet before replacing the fuse.**

#### Power Linking

The product provides power linking via the outlet located in the back of the product. See the diagram below for further explanation.

#### Power-Linking Diagram



**You can power link up to 9 Intimidator Spot 160 products on 120 VAC or up to 16 Intimidator Spot 160 products on 230 VAC.**

### Mounting

Before mounting the product, read and follow the safety recommendations indicated in the [Safety Notes](#).

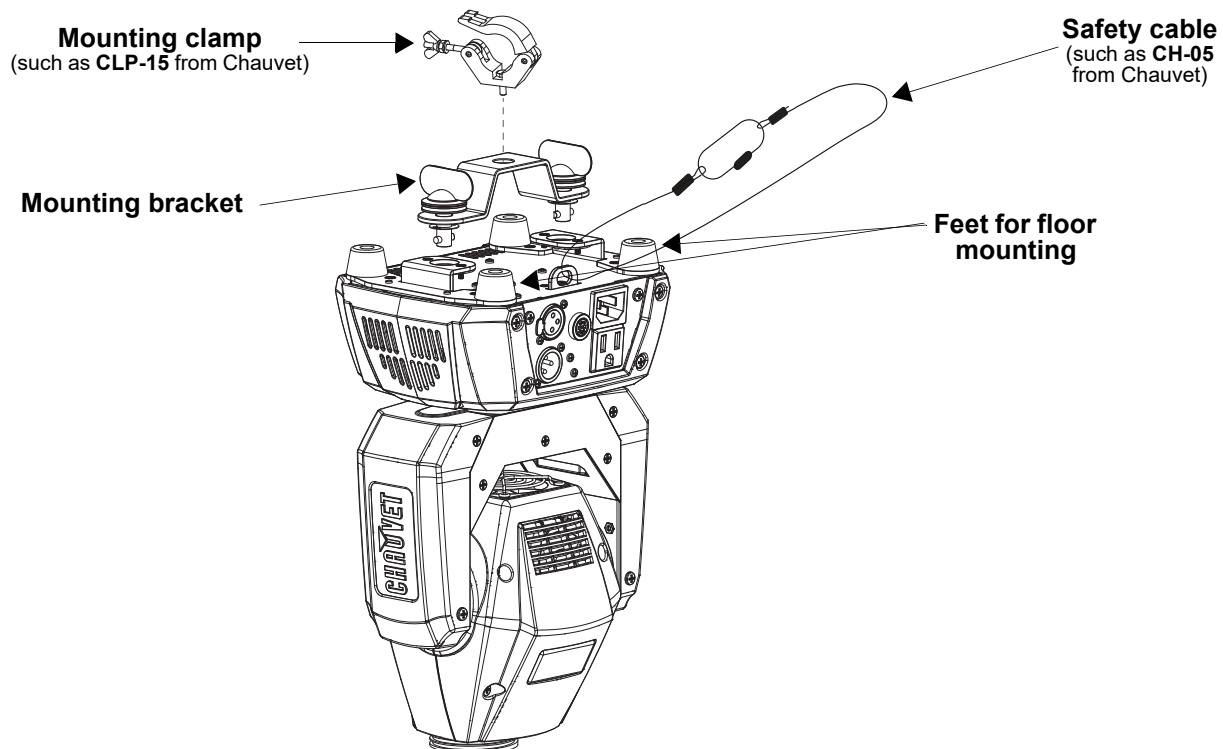
### Orientation

The Intimidator Spot 160 may be mounted in any position; however, make sure adequate ventilation is provided around the product.

### Rigging

- Before deciding on a location, always make sure there is easy access to the product for maintenance and programming.
- Make sure adequate ventilation is provided around the product.
- Make sure that the structure or surface onto which you are mounting the product can support the product's weight. (see the [Technical Specifications](#))
- When mounting the product overhead, always use a safety cable. Mount the product securely to a rigging point, whether an elevated platform or a truss.
- When rigging the product onto a truss, use a mounting clamp of appropriate weight capacity.
- When power linking multiple products, mount the products close enough for power-linking cables to reach.
- The rubber feet also serve as floor supports and allow for surface mounting. When mounting the product on the floor, make sure that the product and cables are away from people and vehicles.

### Mounting Diagram



When using one mounting clamp with this fixture, use a clamp with a captive bolt to prevent accidental loosening.

## 4. Operation

### Control Panel Operation

To access the control panel functions, use the four buttons located underneath the display. Please refer to the [Product Overview](#) to see the button locations on the control panel.

Button	Function
<MENU>	Exits from the current menu or function
<UP>	Navigates upwards through the menu list or increases a selected numeric value
<DOWN>	Navigates downwards through the menu list or decreases a selected numeric value
<ENTER>	Enables the currently displayed menu or sets a selected value into the selected function

### Menu Map

Refer to the Intimidator Spot 160 product page on [www.chauvetdj.com](http://www.chauvetdj.com) for the latest menu map.

Main Level	Programming Levels		Description	
Address	001–512		Sets the DMX starting address	
Run Mode	DMX	11CH 05CH	Selects the DMX mode	
	Slave	Slave1–4	Selects Slave mode 1, 2, 3, or 4	
	Auto		Selects Auto mode	
	Sound		Selects Sound-Active mode	
	IR		Selects Infrared control mode	
	Manual	Pan	000–255	Manual pan control
		Tilt		Manual tilt control
		Color		Manual color wheel control
		Gobo		Manual gobo wheel control
		Dimmer		Manual dimmer control
Shutter		Manual shutter control		



Main Level	Programming Levels		Description
Setup	Pan Reverse	OFF	Normal pan operation
		ON	Reverse pan operation
	Tilt Reverse	OFF	Normal tilt operation
		ON	Reverse tilt operation
	Screen Reverse	OFF	Normal display
		ON	Reverse display
	Pan Angle	540	Selects the 540° pan angle range
		360	Selects the 360° pan angle range
		180	Selects the 180° pan angle range
	Tilt Angle	270	Selects the 270° tilt angle range
		180	Selects the 180° tilt angle range
		090	Selects the 90° tilt angle range
	Totem Mode	OFF	Does not restrict the pan and tilt motion
		UP	Restricts the pan and tilt motion for overhead mounting
		DOWN	Restricts the pan and tilt motion for surface/floor mounting
	Sensitivity	001–100	Sets the sound sensitivity
	Indicator	OFF	Enables/disables LED indicator
		ON	
	Flash if DMX	OFF	Enables/disables Flash if DMX
		ON	
DMX Loss	Hold	Holds the last setting when signal is lost	
	Black	Blacks out the product	
	Auto	Sets the unit to Auto mode when signal is lost	
	Sound	Sets the unit to Sound mode when signal is lost	
Reset		Resets the product	
Factory Set		Loads factory defaults	
Sys Info	Ver:	V_	Displays the current firmware version
	Running Mode:	-----	Displays the current running mode
	DMX Address:	---	Displays the current DMX address
	Temperature:	-- °C	Displays the product temperature in °C

## Configuration (DMX)

The Intimidator Spot 160 works with a DMX controller. Information about DMX is in the CHAUVET DMX Primer, which is available from the Chauvet website: [http://www.chauvetlighting.com/downloads/DMX\\_Primer\\_rev05\\_WO.pdf](http://www.chauvetlighting.com/downloads/DMX_Primer_rev05_WO.pdf).

## Starting Address

When selecting a starting DMX address, always consider the number of DMX channels the selected DMX mode uses. If the starting address is set too high, access to some of the product's channels could be restricted. The Intimidator Spot 160 uses up to 11 DMX channels, which defines the highest configurable address to **502**.

For information about the DMX protocol, download the DMX Primer from [www.chauvetdj.com](http://www.chauvetdj.com).

To select the starting address, do the following:

1. Press <MENU>.
2. Use <UP> or <DOWN> to select **Address**.
3. Press <ENTER>.
4. Use <UP> or <DOWN> to select the starting address, from **001–512**.
5. Press <ENTER>.

### DMX Personalities

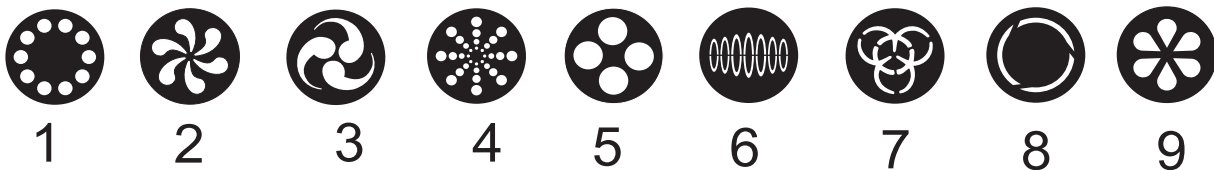
The Intimidator Spot 160 has two DMX personalities: an 11-channel personality and a 5-channel personality.

To select a DMX personality, follow the instructions below.

1. Press **<MENU>**.
2. Use **<UP>** or **<DOWN>** to select **Run Mode**.
3. Press **<ENTER>**.
4. Use **<UP>** or **<DOWN>** to select **DMX**.
5. Press **<ENTER>**.
6. Use **<UP>** or **<DOWN>** to select the DMX personality, from **11CH** or **05CH**.
7. Press **<ENTER>**.

### DMX Channel Assignments and Values

#### Gobos



#### 11CH

Channel	Function	Value	Percent/Setting
1	Pan	000 ⇔ 255	0–540°
2	Fine Pan	000 ⇔ 255	Fine control of panning
3	Tilt	000 ⇔ 255	0–270°
4	Fine Tilt	000 ⇔ 255	Fine control of tilting
5	Pan/Tilt Speed	000 ⇔ 255	Pan/tilt speed (fast to slow)
6	Color Wheel	000 ⇔ 006	White
		007 ⇔ 013	Orange
		014 ⇔ 020	Lime green
		021 ⇔ 027	Cyan
		028 ⇔ 034	Red
		035 ⇔ 041	Green
		042 ⇔ 048	Magenta
		049 ⇔ 055	Yellow
		056 ⇔ 062	Dark blue
		063 ⇔ 064	White
		065 ⇔ 189	Color indexing
		190 ⇔ 221	Color cycling rainbow (fast to slow)
		222 ⇔ 223	Stop
224 ⇔ 255	Reverse color cycling rainbow (slow to fast)		

Channel	Function	Value	Percent/Setting
7	Gobo Wheel (see <a href="#">Gobos</a> )	000 ⇔ 006	Open
		007 ⇔ 011	Gobo 1
		012 ⇔ 017	Gobo 2
		018 ⇔ 023	Gobo 3
		024 ⇔ 029	Gobo 4
		030 ⇔ 035	Gobo 5
		036 ⇔ 041	Gobo 6
		042 ⇔ 047	Gobo 7
		048 ⇔ 053	Gobo 8
		054 ⇔ 063	Gobo 9
		064 ⇔ 069	Gobo 9 shake (slow to fast)
		070 ⇔ 075	Gobo 8 shake (slow to fast)
		076 ⇔ 081	Gobo 7 shake (slow to fast)
		082 ⇔ 087	Gobo 6 shake (slow to fast)
		088 ⇔ 093	Gobo 5 shake (slow to fast)
		094 ⇔ 099	Gobo 4 shake (slow to fast)
		100 ⇔ 105	Gobo 3 shake (slow to fast)
		106 ⇔ 111	Gobo 2 shake (slow to fast)
		112 ⇔ 117	Gobo 1 shake (slow to fast)
		118 ⇔ 127	Open
128 ⇔ 189	Cycle effect (slow to fast)		
190 ⇔ 193	Stop		
194 ⇔ 255	Reverse cycle effect (slow to fast)		
8	Dimmer	000 ⇔ 255	0–100%
9	Shutter	000 ⇔ 003	Closed
		004 ⇔ 007	Open
		008 ⇔ 076	Strobe (slow to fast)
		077 ⇔ 145	Pulse strobe (slow to fast)
		146 ⇔ 215	Random strobe (slow to fast)
		216 ⇔ 255	On

Channel	Function	Value	Percent/Setting
10	Control	000 ⇔ 007	No function
		008 ⇔ 015	Blackout on pan/tilt movement
		016 ⇔ 023	Blackout on color wheel movement
		024 ⇔ 031	Blackout on gobo wheel movement
		032 ⇔ 039	Blackout on pan/tilt/color wheel movement
		040 ⇔ 047	Blackout on pan/tilt/gobo wheel movement
		048 ⇔ 055	Blackout on pan/tilt/color/gobo wheel movement
		056 ⇔ 095	No function
		096 ⇔ 103	Pan reset
		104 ⇔ 111	Tilt reset
		112 ⇔ 119	Color wheel reset
		120 ⇔ 127	Gobo wheel reset
		128 ⇔ 135	No function
		136 ⇔ 143	Prism reset
		144 ⇔ 151	Focus reset
		152 ⇔ 159	Reset all
		160 ⇔ 255	No function
11	Movement Macros	000 ⇔ 007	No function
		008 ⇔ 023	Movement macro 1
		024 ⇔ 039	Movement macro 2
		040 ⇔ 055	Movement macro 3
		056 ⇔ 071	Movement macro 4
		072 ⇔ 087	Movement macro 5
		088 ⇔ 103	Movement macro 6
		104 ⇔ 119	Movement macro 7
		120 ⇔ 135	Movement macro 8
		136 ⇔ 151	Sound-active movement macro
		152 ⇔ 167	Sound-active movement macro 2
		168 ⇔ 183	Sound-active movement macro 3
		184 ⇔ 199	Sound-active movement macro 4
		200 ⇔ 215	Sound-active movement macro 5
		216 ⇔ 231	Sound-active movement macro 6
		232 ⇔ 247	Sound-active movement macro 7
		248 ⇔ 255	Sound-active movement macro 8

05CH

Channel	Function	Value	Percent/Setting
1	Pan	000 ⇔ 255	0–540°
2	Tilt	000 ⇔ 255	0–270°
3	Color Wheel	000 ⇔ 006	White
		007 ⇔ 013	Orange
		014 ⇔ 020	Lime green
		021 ⇔ 027	Cyan
		028 ⇔ 034	Red
		035 ⇔ 041	Green
		042 ⇔ 048	Magenta
		049 ⇔ 055	Yellow
		056 ⇔ 062	Dark blue
		063 ⇔ 064	White
		065 ⇔ 189	Color indexing
		190 ⇔ 221	Color cycling rainbow (fast to slow)
		222 ⇔ 223	Stop
		224 ⇔ 255	Reverse color cycling rainbow (slow to fast)
4	Gobo Wheel (see <a href="#">Gobos</a> )	000 ⇔ 006	Open
		007 ⇔ 011	Gobo 1
		012 ⇔ 017	Gobo 2
		018 ⇔ 023	Gobo 3
		024 ⇔ 029	Gobo 4
		030 ⇔ 035	Gobo 5
		036 ⇔ 041	Gobo 6
		042 ⇔ 047	Gobo 7
		048 ⇔ 053	Gobo 8
		054 ⇔ 063	Gobo 9
		064 ⇔ 069	Gobo 9 shake (slow to fast)
		070 ⇔ 075	Gobo 8 shake (slow to fast)
		076 ⇔ 081	Gobo 7 shake (slow to fast)
		082 ⇔ 087	Gobo 6 shake (slow to fast)
		088 ⇔ 093	Gobo 5 shake (slow to fast)
		094 ⇔ 099	Gobo 4 shake (slow to fast)
		100 ⇔ 105	Gobo 3 shake (slow to fast)
		106 ⇔ 111	Gobo 2 shake (slow to fast)
		112 ⇔ 117	Gobo 1 shake (slow to fast)
		118 ⇔ 127	Open
128 ⇔ 189	Cycle effect (slow to fast)		
190 ⇔ 193	Stop		
194 ⇔ 255	Reverse cycle effect (slow to fast)		
5	Shutter	000 ⇔ 003	Closed
		004 ⇔ 007	Open
		008 ⇔ 076	Strobe (slow to fast)
		077 ⇔ 145	Pulse strobe (slow to fast)
		146 ⇔ 215	Random strobe (slow to fast)
		216 ⇔ 255	On

## Configuration (Standalone)

Set the product in one of the standalone modes to control without a DMX controller.



**Never connect a product that is operating in any standalone mode to a DMX string connected to a DMX controller. Products in standalone mode may transmit DMX signals that could interfere with the DMX signals from the controller.**

### Automatic Programs

To run the Intimidator Spot 160 in automatic mode, follow the instructions below:

1. Press **<MENU>**.
2. Use **<UP>** or **<DOWN>** to select **Run Mode**.
3. Press **<ENTER>**.
4. Use **<UP>** or **<DOWN>** to select **Auto**.
5. Press **<ENTER>**.

### Sound-Active Mode

To run the Intimidator Spot 160 in sound-active mode, do the following:

1. Press **<MENU>**.
2. Use **<UP>** or **<DOWN>** to select **Run Mode**.
3. Press **<ENTER>**.
4. Use **<UP>** or **<DOWN>** to select **Sound**.
5. Press **<ENTER>**.

### Sound Sensitivity

To set the sound sensitivity on the Intimidator Spot 160, follow the instructions below:

1. Press **<MENU>**.
2. Use **<UP>** or **<DOWN>** to select **Setup**.
3. Press **<ENTER>**.
4. Use **<UP>** or **<DOWN>** to select **Sensitivity**.
5. Press **<ENTER>**.
6. Use **<UP>** or **<DOWN>** to increase or decrease the sound sensitivity, from **001–100**.
7. Press **<ENTER>**.



**The product will only respond to low frequencies of music (bass and drums).**

### Manual Mode

To operate the Intimidator Spot 160 manually through the menu, do the following:

1. Press **<MENU>**.
2. Use **<UP>** or **<DOWN>** to select **Run Mode**.
3. Press **<ENTER>**.
4. Use **<UP>** or **<DOWN>** to select **Manual**.
5. Press **<ENTER>**.
6. Use **<UP>** or **<DOWN>** to select from **Pan, Tilt, Color, Gobo, Dimmer, or Shutter**.
7. Press **<ENTER>**.
8. Use **<UP>** or **<DOWN>** to increase or decrease the value of the selected function, from **000–255**.
9. Press **<ENTER>**.
10. Repeat steps 6-9 until the product is set as desired.

### Configuration (Settings)

#### Pan Reverse

To set the pan orientation on the Intimidator Spot 160, follow the instructions below:

1. Press **<MENU>**.
2. Use **<UP>** or **<DOWN>** to select **Setup**.
3. Press **<ENTER>**.
4. Use **<UP>** or **<DOWN>** to select **Pan Reverse**.
5. Press **<ENTER>**.
6. Use **<UP>** or **<DOWN>** to select **OFF** (normal pan orientation) or **ON** (reverse pan orientation).
7. Press **<ENTER>**.

#### Tilt Reverse

To set the tilt orientation on the Intimidator Spot 160, do the following:

1. Press **<MENU>**.
2. Use **<UP>** or **<DOWN>** to select **Setup**.
3. Press **<ENTER>**.
4. Use **<UP>** or **<DOWN>** to select **Tilt Reverse**.
5. Press **<ENTER>**.
6. Use **<UP>** or **<DOWN>** to select **OFF** (normal tilt orientation) or **ON** (reverse tilt orientation).
7. Press **<ENTER>**.

#### Screen Reverse

To set the display orientation on the Intimidator Spot 160, follow the instructions below:

1. Press **<MENU>**.
2. Use **<UP>** or **<DOWN>** to select **Setup**.
3. Press **<ENTER>**.
4. Use **<UP>** or **<DOWN>** to select **Screen Reverse**.
5. Press **<ENTER>**.
6. Use **<UP>** or **<DOWN>** to select **OFF** (normal display orientation) or **ON** (reverse display orientation).
7. Press **<ENTER>**.

#### Pan Angle

To set the pan angle range on the Intimidator Spot 160, do the following:

1. Press **<MENU>**.
2. Use **<UP>** or **<DOWN>** to select **Setup**.
3. Press **<ENTER>**.
4. Use **<UP>** or **<DOWN>** to select **Pan Angle**.
5. Press **<ENTER>**.
6. Use **<UP>** or **<DOWN>** to select from **540** (540°), **360** (360°), or **180** (180°).
7. Press **<ENTER>**.

#### Tilt Angle

To set the tilt angle range on the Intimidator Spot 160, follow the instructions below:

1. Press **<MENU>**.
2. Use **<UP>** or **<DOWN>** to select **Setup**.
3. Press **<ENTER>**.
4. Use **<UP>** or **<DOWN>** to select **Tilt Angle**.
5. Press **<ENTER>**.
6. Use **<UP>** or **<DOWN>** to select from **270** (270°), **180** (180°), or **90** (90°).
7. Press **<ENTER>**.

## Totem Mode

To activate the Totem mode, do the following:

1. Press **<MENU>**.
2. Use **<UP>** or **<DOWN>** to select **Setup**.
3. Press **<ENTER>**.
4. Use **<UP>** or **<DOWN>** to select **Totem Mode**.
5. Press **<ENTER>**.
6. Use **<UP>** or **<DOWN>** to select **OFF** (normal range of motion), **UP** (restricts the pan and tilt motion for overhead mounting), or **DOWN** (restricts the pan and tilt motion for surface/floor mounting).
7. Press **<ENTER>**.

## Indicator

To enable or disable the LED indicator, do the following:

1. Press **<MENU>**.
2. Use **<UP>** or **<DOWN>** to select **Setup**.
3. Press **<ENTER>**.
4. Use **<UP>** or **<DOWN>** to select **Indicator**.
5. Press **<ENTER>**.
6. Use **<UP>** or **<DOWN>** to select **OFF** (disabled) or **ON** (enabled).
7. Press **<ENTER>**.

## Flash if DMX

To enable or disable the LED indicator flashing to indicate DMX, do the following:

1. Press **<MENU>**.
2. Use **<UP>** or **<DOWN>** to select **Setup**.
3. Press **<ENTER>**.
4. Use **<UP>** or **<DOWN>** to select **Flash if DMX**.
5. Press **<ENTER>**.
6. Use **<UP>** or **<DOWN>** to select **OFF** (will not indicate DMX) or **ON** (Will indicate DMX).
7. Press **<ENTER>**.

## Reset

To reset all functions on the Intimidator Spot 160, do the following:

1. Press **<MENU>**.
2. Use **<UP>** or **<DOWN>** to select **Setup**.
3. Press **<ENTER>**.
4. Use **<UP>** or **<DOWN>** to select **Reset**.
5. Press **<ENTER>**.

## Factory Reset

To restore the Intimidator Spot 160 to factory default settings, follow the instructions below:

1. Press **<MENU>**.
2. Use **<UP>** or **<DOWN>** to select **Setup**.
3. Press **<ENTER>**.
4. Use **<UP>** or **<DOWN>** to select **Factory Set**.
5. Press **<ENTER>**.

## System Information

To view the system information on the Intimidator Spot 160, do the following:

1. Press **<MENU>**.
2. Use **<UP>** or **<DOWN>** to select **Sys Info**.
3. Press **<ENTER>**.

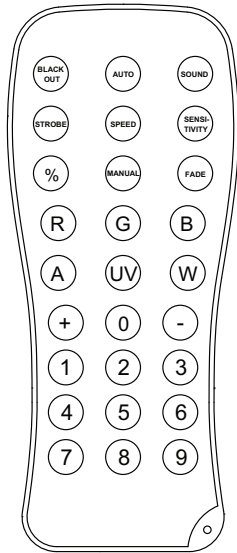


## IRC-6 Infrared Remote Control

The Intimidator Spot 160 is compatible with the IRC-6 infrared remote control from Chauvet. To set the Intimidator Spot 160 to IR mode, follow the instructions below:

1. Press **<MENU>**.
2. Use **<UP>** or **<DOWN>** to select **Run Mode**.
3. Press **<ENTER>**.
4. Press **<UP>** or **<DOWN>** to select **IR**.
5. Press **<ENTER>**.

## IRC-6 Operation



The list below describes which features each button controls:

- **<BLACKOUT>** - Keeps shutter closed.
- **<AUTO>** - Activates Auto mode. Use **<+>**, **<->**, or **<0>**–**<9>** to select an auto program.
- **<SOUND>** - Activates Sound mode.
- **<STROBE>** - Activates Strobe control. Use **<+>** or **<->** to increase or decrease the strobe speed from **00** (off) to **13**, or from **14–20** for a pulse strobe.
- **<SPEED>** - Sets Pan/Tilt Speed. Use **<+>** or **<->** to increase or decrease the pan/tilt speed from **000** (fastest) to **255** (slowest)
- **<SENSITIVITY>** - Sets Sound Sensitivity. Use **<+>** or **<->** to increase or decrease the sensitivity from **001** (lowest) to **100** (highest)
- **<%>** - Sets Dimmer value. Use **<+>** or **<->** to widen or narrow the shutter.
- **<MANUAL>** - Cycles through static gobos.
- **<FADE>** - Cycles through static colors.
- **<R>** - Sets color wheel rotation speed. Use **<+>** or **<->** to increase or decrease the speed from **000** (slowest) to **100** (fastest). Press **<R>** to toggle direction.
- **<G>** - Sets gobo wheel rotation speed. Use **<+>** or **<->** to increase or decrease the speed from **000** (slowest) to **100** (fastest). Press **<G>** to toggle direction.
- **<B>** - Activates Auto Color/Gobo mode.
- **<A>** - Sets manual Pan/Tilt values. Press **<A>** to toggle between pan and tilt. Use **<+>** or **<->** to increase or decrease the pan/tilt value, from **000–255**.
- **<UV>/<P>** - sets manual Zoom and Focus values. Press **<UV>/<P>** to toggle between zoom and focus. Use **<+>** or **<->** to increase or decrease the zoom/focus value, from **000–255**.
- **<W>** - Sets manual Prism values. Use **<+>** or **<->** to increase or decrease the prism value, from **000–255**.
- **<+>** - Increases a value when in a function.
- **<->** - Decreases a value when in a function.
- **<0>**–**<9>** - Selects Auto programs 0–9.

## Master/Slave Mode

The Master/Slave mode allows a single Intimidator Spot 160 product (the “master”) to control the actions of one or more Intimidator Spot 160 products (the “slaves”) without the need of a DMX controller. The master product will be set to operate in either standalone mode or with the IRC-6, whereas the slave products will be set to operate in slave mode. Once set and connected, the slave products will operate in unison with the master product.

Configure the products as indicated below.

### Slave products:

1. Press **<MENU>**.
2. Use **<UP>** or **<DOWN>** to select **Run Mode**.
3. Press **<ENTER>**.
4. Use **<UP>** or **<DOWN>** to select **Slave**.
5. Press **<ENTER>**.
6. Use **<UP>** or **<DOWN>** to select from **Slave1**, **Slave2**, **Slave3**, or **Slave4**.
  - Select **Slave1** for 100% synchronized actions.
  - Select **Slave2**, **Slave3**, and/or **Slave4** for delayed actions, creating a wave effect.
7. Press **<ENTER>**.
8. Connect the DMX input of the first slave product to the DMX output of the master product.
9. Connect the DMX input of the subsequent slave products to the DMX output of the previous slave product.
10. Finish setting and connecting all the slave products.

### Master product:

1. Set the master product to operate in standalone mode or with the IRC-6.
2. Make the master product the first product in the DMX daisy chain.
  - **Configure all the slave products before connecting the master to the daisy chain.**
  - **Never connect a DMX controller to a DMX string configured for Master/Slave operation because the controller may interfere with the signals from the master.**
  - **Do not connect more than 31 slaves to the master.**



# 5. Maintenance

## Product Maintenance

Dust build-up reduces light output performance and can cause overheating. This can lead to reduction of the light source's life and/or mechanical wear. To maintain optimum performance and minimize wear, clean your lighting products at least twice a month. However, be aware that usage and environmental conditions could be contributing factors to increase the cleaning frequency.

To clean the product, follow the instructions below:

1. Unplug the product from power.
2. Wait until the product is at room temperature.
3. Use a vacuum (or dry compressed air) and a soft brush to remove dust collected on the external surface/vents.
4. Clean all transparent surfaces with a mild soap solution, ammonia-free glass cleaner, or isopropyl alcohol.
5. Apply the solution directly to a soft, lint-free cotton cloth or a lens-cleaning tissue.
6. Softly drag any dirt or grime to the outside of the transparent surface.
7. Gently polish the transparent surfaces until they are free of haze and lint.



**Always dry the transparent surfaces carefully after cleaning them.**



**Do not spin the cooling fans using compressed air because they could be damaged.**

## 6. Technical Specifications

### Dimensions and Weight

Length	Width	Height	Weight
8.2 in (207 mm)	5.9 in (149 mm)	12 in (308 mm)	8.8 lb (4.0 kg)

**Note:** Dimensions in inches rounded to the nearest decimal digit.

### Power

Power Supply Type	Range	Voltage Selection
Switching (internal)	100 to 240 VAC, 50/60 Hz	Auto-ranging
Parameter	120 V, 60 Hz	230 V, 50 Hz
Consumption	60 W	60 W
Operating current	0.8 A	0.4 A
Power-linking current (products)	9 products	16 products
Power I/O	U.S./Worldwide	UK/Europe
Power input connector		
Power output connector		
Power cord plug	Edison (U.S.)	Local plug

### Light Source

Type	Color	Quantity	Power	Current	Lifespan
LED	Cool white	1	32 W	2.3 A	50,000 hours

### Photometrics

Parameter	Value
Strobe rate	0 to 20 Hz
PWM frequency	2.4 kHz
Beam angle	17°
Illuminance @ 2 m	6,080 lux

### Thermal

Maximum External Temperature	Cooling System
104 °F (40 °C)	

### DMX

I/O Connector	Channel Range
3-pin XLR	5 or 11

### Ordering

Product Name	Item Code	UPC Number
Intimidator Spot 160	01081587	781462219352



# Returns

In case you need to get support or return a product:

- If you are located in the U.S., contact Chauvet World Headquarters.
- If you are located in the UK or Ireland, contact Chauvet Europe Ltd.
- If you are located in Benelux, contact Chauvet Europe BVBA.
- If you are located in France, contact Chauvet France.
- If you are located in Germany, contact Chauvet Germany.
- If you are located in Mexico, contact Chauvet Mexico.
- If you are located in any other country, DO NOT contact Chauvet. Instead, contact your local distributor. See [www.chauvetdj.com](http://www.chauvetdj.com) for distributors outside the U.S., UK, Ireland, Benelux, France, Germany, or Mexico.



**If you are located outside the U.S., UK, Ireland, Benelux, France, Germany, or Mexico, contact your distributor of record and follow their instructions on how to return Chauvet products to them. Visit our website [www.chauvetdj.com](http://www.chauvetdj.com) for contact details.**

Call the corresponding Chauvet Technical Support office and request a Return Merchandise Authorization (RMA) number before shipping the product. Be prepared to provide the model number, serial number, and a brief description of the cause for the return.

To submit a service request online, go to [www.chauvetdj.com/service-request](http://www.chauvetdj.com/service-request).

Send the merchandise prepaid, in its original box, and with its original packing and accessories. Chauvet will not issue call tags.

Clearly label the package with the RMA number. Chauvet will refuse any product returned without an RMA number.



**Write the RMA number on a properly affixed label. DO NOT write the RMA number directly on the box.**

Before sending the product, clearly write the following information on a piece of paper and place it inside the box:

- Your name
- Your address
- Your phone number
- RMA number
- A brief description of the problem

Be sure to pack the product properly. Any shipping damage resulting from inadequate packaging will be your responsibility. FedEx packing or double-boxing are recommended.



**Chauvet reserves the right to use its own discretion to repair or replace returned product(s).**

## Contact Us

General Information	Technical Support
<b>Chauvet World Headquarters</b>	
Address: 5200 NW 108th Ave. Sunrise, FL 33351 Voice: (954) 577-4455 Fax: (954) 929-5560 Toll Free: (800) 762-1084	Voice: (844) 393-7575 Fax: (954) 756-8015 Email: <a href="mailto:chauvetcs@chauvetlighting.com">chauvetcs@chauvetlighting.com</a> Website: <a href="http://www.chauvetdj.com">www.chauvetdj.com</a>
<b>Chauvet Europe Ltd</b>	
Address: Unit 1C Brookhill Road Industrial Estate Pinxton, Nottingham, UK NG16 6NT Voice: +44 (0) 1773 511115 Fax: +44 (0) 1773 511110	Email: <a href="mailto:UKtech@chauvetlighting.eu">UKtech@chauvetlighting.eu</a> Website: <a href="http://www.chauvetdj.eu">www.chauvetdj.eu</a>
<b>Chauvet Europe BVBA</b>	
Address: Stokstraat 18 9770 Kruishoutem Belgium Voice: +32 9 388 93 97	Email: <a href="mailto:BNLtech@chauvetlighting.eu">BNLtech@chauvetlighting.eu</a> Website: <a href="http://www.chauvetdj.eu">www.chauvetdj.eu</a>
<b>Chauvet France</b>	
Address: 3, Rue Ampère 91380 Chilly-Mazarin France Voice: +33 1 78 85 33 59	Email: <a href="mailto:FRtech@chauvetlighting.fr">FRtech@chauvetlighting.fr</a> Website: <a href="http://www.chauvetdj.eu">www.chauvetdj.eu</a>
<b>Chauvet Germany</b>	
Address: Bruno-Bürgel-Str. 11 28759 Bremen Germany Voice: +49 421 62 60 20	Email: <a href="mailto:DEtech@chauvetlighting.de">DEtech@chauvetlighting.de</a> Website: <a href="http://www.chauvetdj.eu">www.chauvetdj.eu</a>
<b>Chauvet Mexico</b>	
Address: Av. de las Partidas 34 - 3B (Entrance by Calle 2) Zona Industrial Lerma Lerma, Edo. de México, CP 52000 Voice: +52 (728) 690-2010	Email: <a href="mailto:servicio@chauvet.com.mx">servicio@chauvet.com.mx</a> Website: <a href="http://www.chauvetdj.mx">www.chauvetdj.mx</a>

Visit the applicable website above to verify our contact information and instructions to request support. Outside the US, UK, Ireland, Mexico, France, Germany, or Benelux, contact the dealer of record.