

# INTIMIDATOR

FREE SPOT 60 ILS

## User Manual



**Table of Contents**

<b>1. Before You Begin .....</b>	<b>1</b>
What Is Included .....	1
Unpacking Instructions.....	1
Text Conventions .....	1
Symbols .....	1
Safety Notes.....	2
Battery Charge Notes.....	2
FCC Statement of Compliance .....	3
RF Exposure Warning for North America and Australia.....	3
Disclaimer .....	3
<b>2. Introduction .....</b>	<b>4</b>
Product Overview.....	4
Product Dimensions .....	5
<b>3. Setup .....</b>	<b>6</b>
AC Power .....	6
Fuse Replacement.....	6
Battery Power.....	6
Charging the Battery .....	6
Battery Life Indicator .....	6
Battery Run Time .....	6
Mounting .....	7
Orientation.....	7
Rigging.....	7
<b>4. Operation .....</b>	<b>8</b>
Control Panel Operation.....	8
Menu Map .....	8
DMX Configuration.....	9
Gobos.....	10
DMX Values .....	10
Standalone Configuration.....	12
Run Mode.....	12
Manual Mode .....	12
Settings Configuration.....	13
D-Fi Settings .....	13
Pan Reverse .....	13
Tilt Reverse .....	13
Screen Reverse .....	13
Pan Range .....	13
Tilt Range.....	13
Totem Mode .....	14
Sound Sensitivity.....	14
DMX Loss.....	14
Indicator .....	14
Flash if DMX.....	14
Run Time.....	14
RF Setting .....	15
Follow Spot .....	15
Product Reset .....	15
Factory Reset.....	15
Product Information.....	15

**PRODUCT NAME**

---

ILS Mode.....	16
Master/Slave Mode .....	16
RFC Remote Control.....	17
RFC-XL Remote Control Operation .....	17
<b>5. Maintenance.....</b>	<b>18</b>
Product Maintenance .....	18
<b>6. Technical Specifications .....</b>	<b>19</b>
<b>Contact Us .....</b>	<b>20</b>
Warranty & Returns.....	20

# 1. Before You Begin

## What Is Included

- Intimidator Free Spot 60 ILS
- Power cable
- Omega bracket
- Quick Reference Guide

## Unpacking Instructions

Carefully unpack the product immediately and check the container to make sure all the parts are in the package and are in good condition.

## Claims





If the box or the contents (the product and included accessories) appear damaged from shipping, or show signs of mishandling, notify the carrier immediately, not Chauvet. Failure to report damage to the carrier immediately may invalidate the claim. Keep the box and contents for inspection.

For other issues, such as missing components or parts, damage not related to shipping, or concealed damage, file a claim with Chauvet within 7 days of delivery.

## Text Conventions

Convention	Meaning
<b>1–512</b>	A range of values
<b>50/60</b>	A set of values of which only one can be chosen
<b>Settings</b>	A menu option not to be modified
<b>&lt;ENTER&gt;</b>	A key to be pressed on the product's control panel
<b>ON</b>	A value to be entered or selected

## Symbols

Symbol	Meaning
	Electrical warning. Not following these instructions may cause electrical damage to the product, accessories, or the user.
	Critical installation, configuration, or operation information. Not following these instructions may make the product not work, cause damage to the product, or cause harm to the operator.
	Important installation or configuration information. The product may not function correctly if this information is not used.
	Useful information.

### Safety Notes



- **ALWAYS:**
  - Connect to a grounded circuit.
  - Connect to operating voltages as specified on the product's spec sticker.
  - Disconnect from power before replacing the fuse.
  - Disconnect from its power source during periods of inactivity.
  - Use a safety cable when suspending overhead.
  - Heed all restrictions and warnings on the spec sticker.
  - Mount in a location with at least 20 in (50 cm) of ventilation.
  - Replace the fuse with the same type and rating.
- In the event of a serious operating problem, stop using immediately.
- **DO NOT:**
  - Open this product or attempt any repairs. It contains no user-serviceable parts.
  - Look at the light source when the product is on.
  - Use if the power cord is crimped or damaged.
  - Disconnect by pulling on the power cord.
  - Allow flammable materials close to the product when it is operating.
  - Touch the housing when it is on.
  - Block any ventilation holes/slots in the housing.
  - Connect to a dimmer or rheostat.
  - Carry the product by its power cord.
  - Operate in temperatures higher than 104°F (40°C).
  - Expose to environments that exceed the Ingress Protection (IP) rating.
  - Expose to rain or moisture.
  - Use outdoors.
  - Submerge.
  - Expose to corrosive environmental conditions such as temperature, humidity, salinity, pressure, radiation, or shock.
  - Set this product on a flammable surface.



### Battery Charge Notes

Rechargeable lithium-ion batteries are potentially hazardous and can present a serious FIRE HAZARD, SERIOUS INJURY and/or PROPERTY DAMAGE if damaged, defective, or improperly used.



- **ALWAYS:**
  - ◆ Charge using a manufacturer-provided charger while the product is powered off.
  - ◆ Charge the battery in temperatures between 32°–95°F (0°–35°C).
  - ◆ Allow a depleted battery to charge for a few minutes before turning on the product. If the battery is completely discharged, the device cannot be turned on immediately when the charger is connected.
  - ◆ Keep at least 3 ft (1 m) distance to any heat source and away from flammable materials.
  - ◆ Keep the lid of any charging case open while charging.
  - ◆ Keep batteries away from children.
  - ◆ Store batteries between 40–60% charge.
  - ◆ Follow local regulations when disposing of batteries.
  - ◆ Replace with an authentic Chauvet battery.
- **DO NOT:**
  - ◆ Continue charging if the battery becomes hot, smokes, swells, or gives off an odor during charging.
  - ◆ Leave the product unattended while charging.
  - ◆ Deplete the battery below 10%.
  - ◆ Charge the battery in a closed container.
  - ◆ Charge for more than 24 hours.

## FCC Statement of Compliance

This device complies with Part 15 Part B of the FCC rules. Operation is subject to the following two conditions:

1. This device may not cause harmful interference, and
2. This device must accept any interference received, including interference that may cause undesired operation.

This equipment has been tested and found to comply with the limits for a Class B digital device, pursuant to Part 15 of the FCC Rules. These limits are designed to provide reasonable protection against harmful interference in a residential installation. This equipment generates uses and can radiate radio frequency energy and, if not installed and used in accordance with the instructions, may cause harmful interference to radio communications. However, there is no guarantee that interference will not occur in a particular installation. If this equipment does cause harmful interference to radio or television reception, which can be determined by turning the equipment off and on, the user is encouraged to try to correct the interference by one or more of the following measures:

- Reorient or relocate the receiving antenna.
- Increase the separation between the equipment and receiver.
- Connect the equipment into an outlet on a circuit different from that to which the receiver is connected.
- Consult the dealer or an experienced radio/TV technician for help.

Any changes or modifications not expressly approved by the party responsible for compliance could void the user's authority to operate the equipment.

## RF Exposure Warning for North America and Australia

**Warning!** This equipment complies with FCC radiation exposure limits set forth for an uncontrolled environment. This equipment should be installed and operated with a minimum distance of 20 cm between the radiator and the user. This transmitter must not be co-located or operating in conjunction with any other antenna or transmitter.

## Disclaimer

Chauvet believes that the information contained in this manual is accurate in all respects. However, Chauvet assumes no responsibility and specifically disclaims any and all liability to any party for any loss, damage or disruption caused by any errors or omissions in this document, whether such errors or omissions result from negligence, accident or any other cause. Chauvet reserves the right to revise the content of this document without any obligation to notify any person or company of such revision, however, Chauvet has no obligation to make, and does not commit to make, any such revisions. Download the latest version from [www.chauvetdj.com](http://www.chauvetdj.com).

The works of authorship contained in this manual, including, but not limited to, all designs, text, and images are owned by Chauvet.

© **Copyright 2023 Chauvet & Sons, LLC. All rights reserved.**

Electronically published by Chauvet in the United States of America.

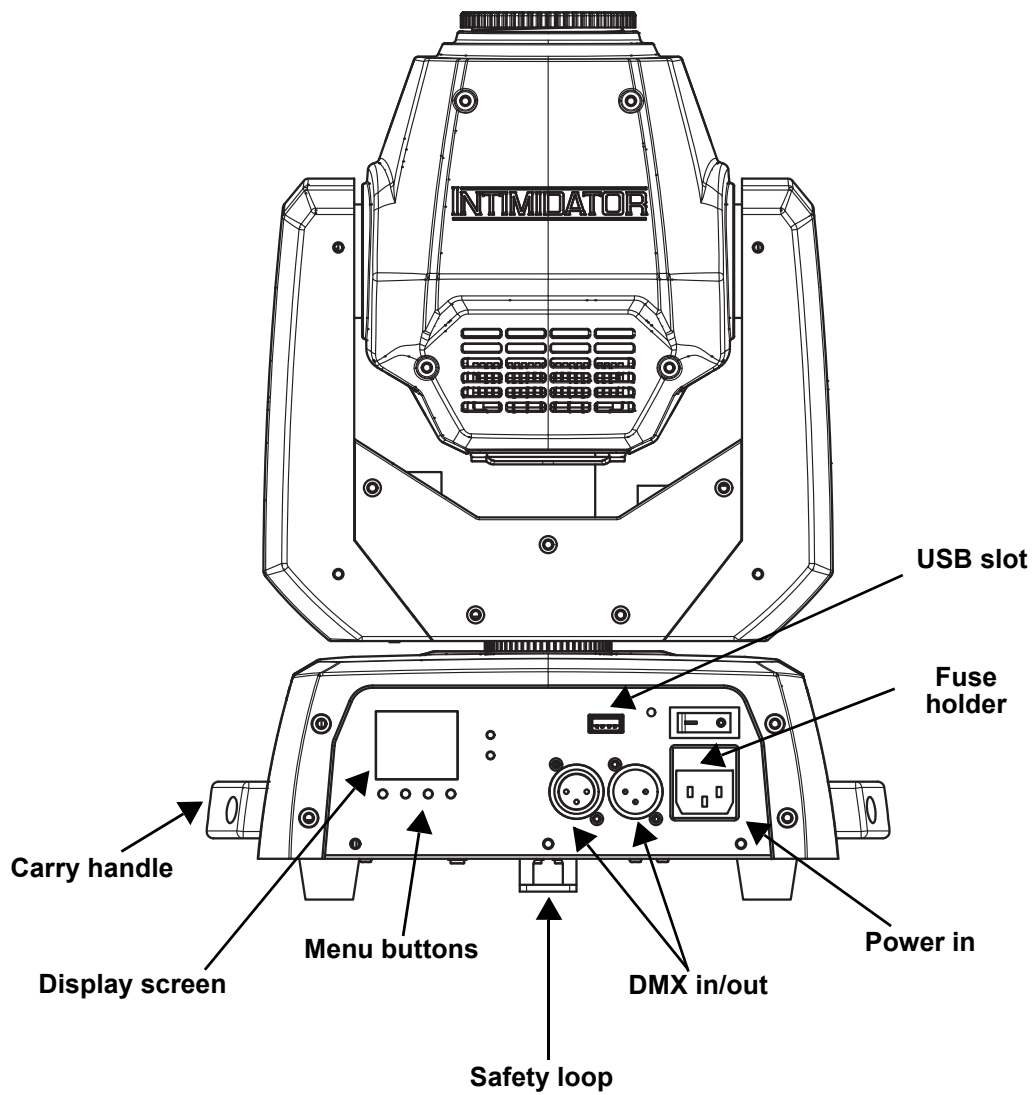
Chauvet, the Chauvet logo, and Intimidator Free Spot 60 ILS are registered trademarks or trademarks of Chauvet & Sons LLC. (d/b/a Chauvet and Chauvet Lighting) in the United States and other countries. Other company and product names and logos referred to herein may be trademarks of their respective companies.



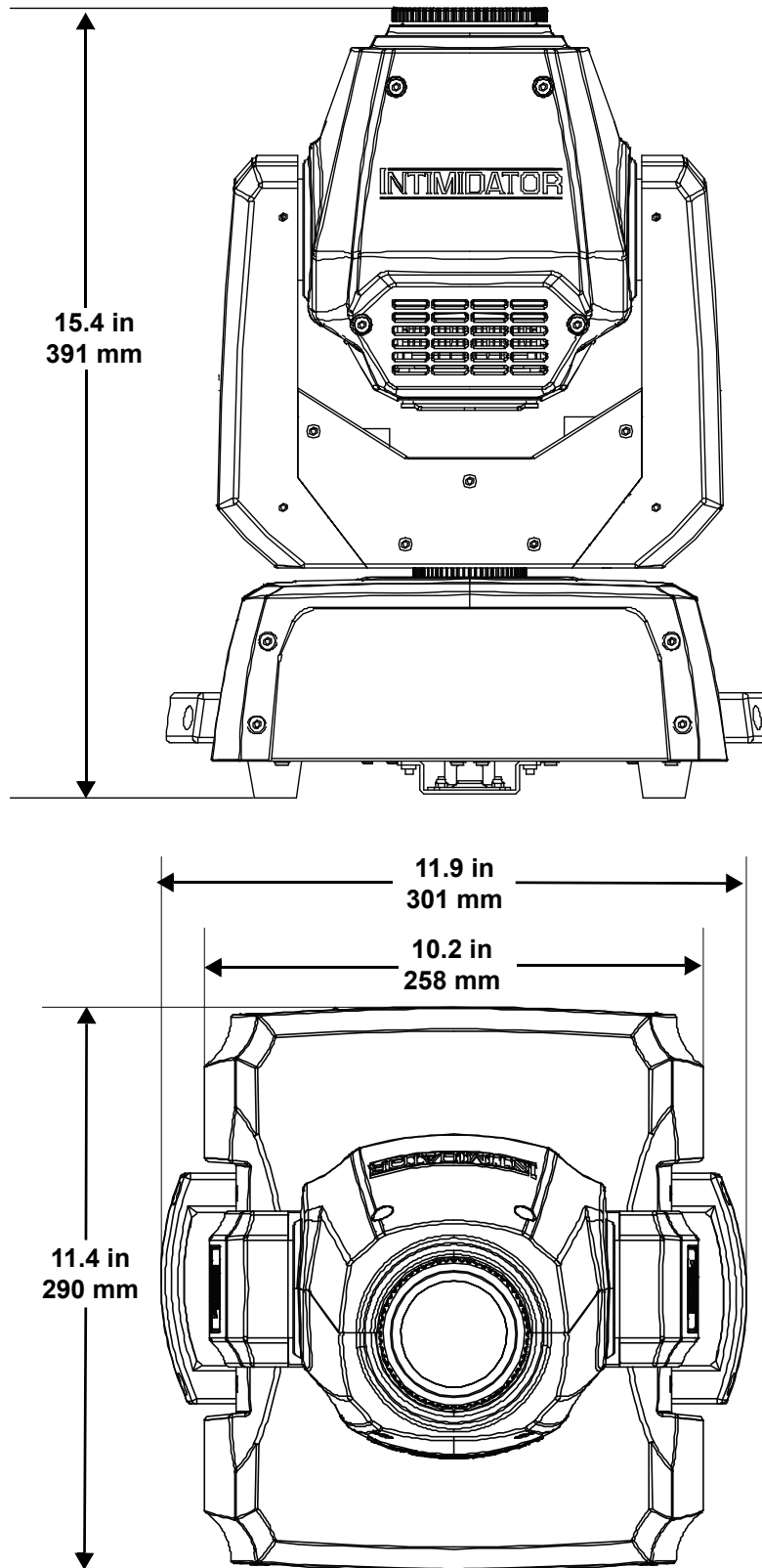
**Keep this User Manual for future use.**

## 2. Introduction

### Product Overview



**Product Dimensions**





## 3. Setup

### AC Power

The Intimidator Free Spot 60 ILS has an auto-ranging power supply, and it can work with an input voltage range of 100 to 240 VAC, 50/60 Hz.

To determine the product's power requirements (circuit breaker, power outlet, and wiring), use the current value listed on the label affixed to the product's back panel or refer to the product's specifications chart. The listed current rating indicates the product's average current draw under normal conditions.



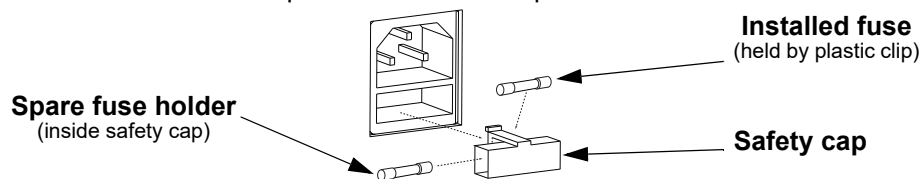
- **Always connect the product to a protected circuit (a circuit breaker or fuse). Make sure the product has an appropriate electrical ground to avoid the risk of electrocution or fire.**
- **To eliminate unnecessary wear and improve its lifespan, completely disconnect the product from power via breaker or by unplugging it during periods of non-use.**



- **Never connect the product to a rheostat (variable resistor) or dimmer circuit, even if the rheostat or dimmer channel serves only as a 0 to 100% switch.**

### Fuse Replacement

1. Disconnect the product from power.
2. Wedge the tip of a flat-head screwdriver into the slot of the fuse holder.
3. Pry the fuse holder out of the housing.
4. Remove the blown fuse from the holder and replace with a fuse of the exact same type and rating.
5. Insert the fuse holder back in place and reconnect power.



- **Disconnect the product from the power outlet before replacing the fuse.**
- **Always replace a blown fuse with one of the same type and rating.**

### Battery Power

The Intimidator Free Spot 60 ILS comes with a rechargeable lithium battery for cable-free operation.

### Charging the Battery

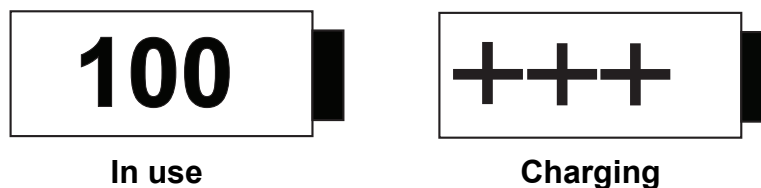
The battery charges whenever the Intimidator Free Spot 60 ILS is plugged into a power source using the included power cable. If the product is plugged in and not in operation, make sure the product is turned off.



- **Before charging the product, read and follow the safety recommendations in the [Safety Notes](#).**
- **The LED indicator light will flash if units are overcharged.**
- **DO NOT use the Intimidator Free Spot 60 ILS on full power mode while being charged/plugged into a power source, as the unit will get extremely hot.**

### Battery Life Indicator

The numbers displayed on the battery indicator show how much battery life remains available. The battery indicator will display up to four (+) signs while charging.



### Battery Run Time

Maximum Run Time	Recharge Time
Up to 8 hours	6.75 hours

## Mounting

Before mounting the product, read and follow the safety recommendations indicated in the [Safety Notes](#).

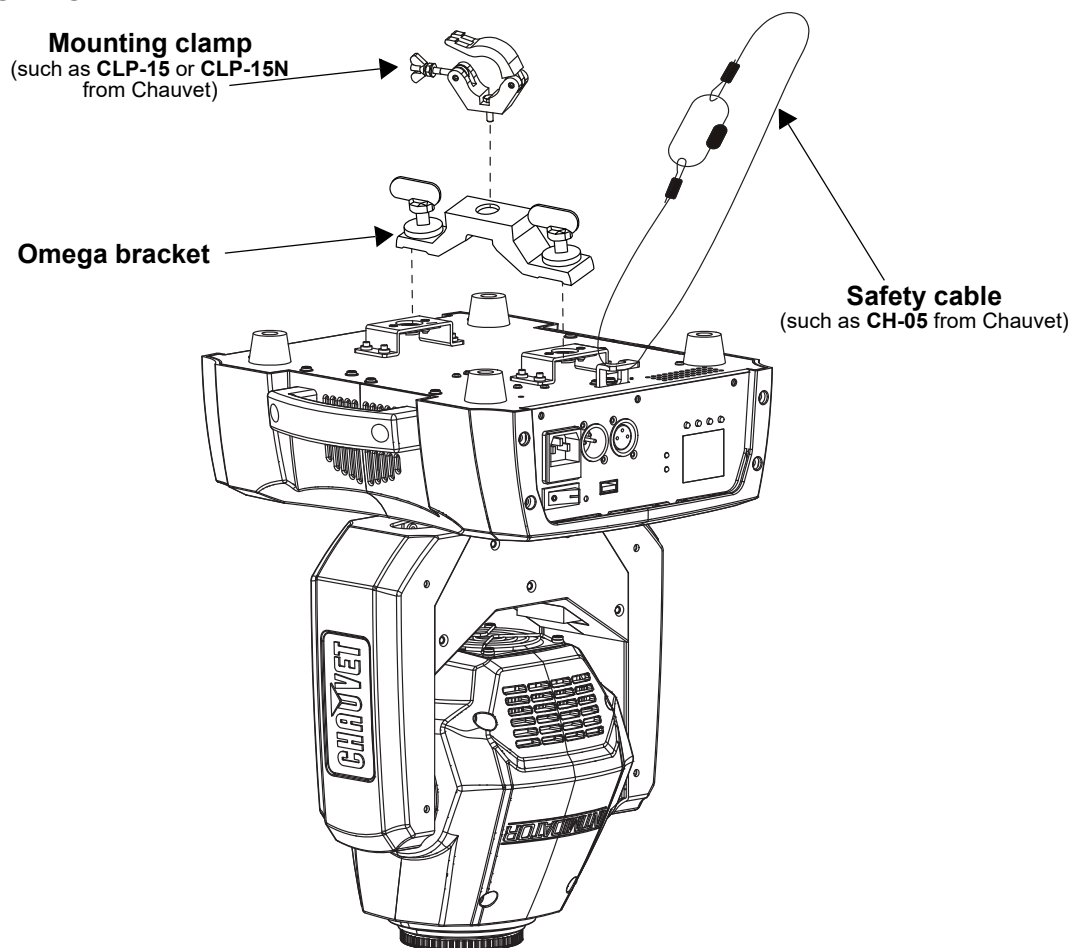
### Orientation

The Intimidator Free Spot 60 ILS may be mounted in any position; however, make sure adequate ventilation is provided around the product.

### Rigging

- Before deciding on a location for the product, always make sure there is easy access to the product for maintenance and programming purposes.
- Make sure adequate ventilation is provided around the product.
- Mount the product on a structure or surface that can support the product's weight (see the [Technical Specifications](#) for weight information).
- Always use a safety cable when mounting the product overhead. Mount the product securely to a rigging point (e.g., an elevated platform or a truss).
- Use a mounting clamp of appropriate weight capacity when rigging the product onto a truss.

### Mounting Diagram



## 4. Operation

### Control Panel Operation

To access the control panel functions, use the four buttons located next to the display. Please refer to the [Introduction](#) to see the button locations on the control panel.

Button	Function
<MENU>	Exits from the current menu or function
<UP>	Navigates upwards through the menu list and increases the numeric value when in a function
<DOWN>	Navigates downwards through the menu list and decreases the numeric value when in a function
<ENTER>	Enables the currently displayed menu or sets the currently selected value into the selected function

### Menu Map

Refer to the Intimidator Free Spot 60 ILS product page on [www.chauvetdj.com](http://www.chauvetdj.com) for the latest menu map.

Main Menu	Programming Levels	Description	
<b>DMX Address</b>	<b>001–499</b>	Selects DMX starting address	
<b>Run Mode</b>	<b>DMX</b>	<b>08CH</b> 8-channel DMX mode	
		<b>10CH</b> 10-channel DMX mode	
		<b>14Ch</b> 14-channel DMX mode	
	<b>Slave</b>	<b>Slave 1–4</b> Sets which slave unit(s) will mimic the master unit	
	<b>ILS</b>	<b>ILS1–4</b> Sets ILS mode	
	<b>AUTO</b>		Sets the fixture to Auto mode
	<b>Sound</b>		Sets the fixture to Sound mode
	<b>RF</b>		Sets the fixture to connect via RF
	<b>Manual</b>	<b>Pan</b>	Adjusts the pan angle
		<b>Tilt</b>	Adjusts the tilt angle
		<b>Color</b>	Selects the color manually
		<b>Gobo</b>	Selects the gobo manually
		<b>Gobo Rototate</b>	<b>000–255</b> Adjusts gobo rotation
<b>Prism</b>		Adjusts prism	
<b>Focus</b>		Adjusts focus	
<b>Dimmer</b>		Adjusts the brightness	
	<b>Shutter</b>	Adjusts the shutter	
<b>Setup</b>	<b>DFI</b>	<b>RX</b> Sets the product to receive D-Fi signal	
		<b>TX</b> Sets the product to transmit D-Fi signal	
		<b>OFF</b> Disables D-Fi mode	
	<b>D-Fi Channel</b>	<b>1–16</b> Sets D-Fi channel	
	<b>Pan Reverse</b>	<b>OFF</b> Normal pan operation	
		<b>ON</b> Reverse pan operation	
	<b>Tilt Reverse</b>	<b>OFF</b> Normal tilt operation	
		<b>ON</b> Reverse tilt operation	
	<b>Screen Reverse</b>	<b>OFF</b> Normal display	
		<b>ON</b> Reverse display	
	<b>Pan Angle</b>	<b>540</b> Selects the 540° pan angle range	
		<b>360</b> Selects the 360° pan angle range	
		<b>180</b> Selects the 180° pan angle range	
	<b>Tilt Angle</b>	<b>234</b> Selects the 234° tilt angle range	
		<b>180</b> Selects the 180° tilt angle range	
		<b>90</b> Selects the 90° tilt angle range	
	<b>Totem Mode</b>	<b>OFF</b> Does not restrict the pan and tilt motion	
<b>UP</b> Restricts the pan and tilt motion for overhead mounting			
<b>DOWN</b> Restricts the pan and tilt motion for surface/ floor mounting			
<b>Sensitivity</b>	<b>000–100</b> Sets the sound sensitivity in Sound mode		

Main Menu	Programming Levels	Description	
Setup	DMX Loss	Hold	Holds the last setting when DMX signal is lost
		Black	Blacks out the fixture when DMX signal is lost
		Auto	Sets the fixture to Auto mode when DMX signal is lost
		Sound	Sets the fixture to Sound mode when DMX signal is lost
	Indicator	ON	Enables LED indicator
		OFF	Disables LED indicator
	Flash if DMX	ON	The LED indicator flashes when the unit is connected to the DMX
		OFF	The LED indicator flashes when the unit is disconnected from the DMX
	Runtime	4 Hours	Adjusts the light and power consumption based on the amount of time the fixture has been running
		6 Hours	
		8 Hours	
	RF	Common	Enables control of the fixture using any RF remote
		Bind	Enables control of the Intimidator Free Spot 60 ILS using only the RF remote paired to the fixture
		Off	Disables RF connection
	RF Group	Group1–4	Sets which group of fixture the RF remote will control
	RF Bind	----	Link the fixture to a single remote and displays the ID of the linked remote. Press <ENTER> then hold and press <BLACKOUT>. The display will show "SUCCESS" (success) or "ERROR" (failure).
	Follow Spot	OFF	Disables Follow Spot mode
ON		Enables fixture to be controlled via ILS command	
Reset	NO	Resets individual functions or all functions from startup	
	YES		
Factory Reset	NO	Resets settings to factory default	
	YES		
Sys Info	Ver:	V ___	Displays the firmware version
	Running Mode:	---	Displays the current running mode
	DMX Address:	---	Displays the DMX address
	Temperature:	--- °C	Displays the LED PCB temperature in °C
	DFI:	---	Displays the D-Fi status

## DMX Configuration

The Intimidator Free Spot 60 ILS works with a DMX controller. Information about DMX is in the Chauvet DMX Primer available from the Chauvet website: [www.chauvetdj.com](http://www.chauvetdj.com).

### DMX Personality and Starting Address

When selecting a starting DMX address, always consider the number of DMX channels the selected DMX mode uses. Choosing a starting address that is too high could restrict access to some of the product's channels.

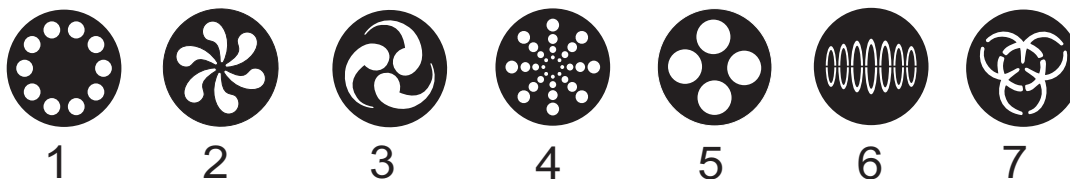
The Intimidator Free Spot 60 ILS uses up to 14 DMX channels in a 14CH DMX mode, which defines the highest configurable address to **499**.

For more information about the DMX protocol, download the DMX Primer from: [www.chauvetdj.com](http://www.chauvetdj.com).

To select the starting address, do the following:

1. Press <MENU> repeatedly until **DMX Address** shows on the display.
2. Press <ENTER>.
3. Use <UP> or <DOWN> to select the starting address, from **001–499**.
4. Press <ENTER>.

Gobos



DMX Values

08CH	10CH	14CH	Function	Value	Percent/Setting
1	1	1	Pan	000 ⇔ 255	0–540°
–	–	2	Fine pan	000 ⇔ 255	Fine control of panning
2	2	3	Tilt	000 ⇔ 255	0–234°
–	–	4	Fine tilt	000 ⇔ 255	Fine control of tilting
–	–	5	Pan/tilt speed	000 ⇔ 255	Pan/tilt speed, fast to slow
3	3	6	Color wheel	000 ⇔ 006	White
				007 ⇔ 013	Red
				014 ⇔ 020	Orange
				021 ⇔ 027	Yellow
				028 ⇔ 034	Green
				035 ⇔ 041	Blue
				042 ⇔ 048	CTO
				049 ⇔ 055	Cyan
				056 ⇔ 062	Magenta
				063 ⇔ 189	Color indexing
190 ⇔ 221	Color clockwise rotation, fast to slow				
222 ⇔ 223	Stop				
224 ⇔ 255	Color counter-clockwise rotation, slow to fast				
4	4	7	Gobo wheel (see <a href="#">Gobos</a> )	000 ⇔ 007	Open
				008 ⇔ 015	Gobo 1
				016 ⇔ 023	Gobo 2
				024 ⇔ 031	Gobo 3
				032 ⇔ 039	Gobo 4
				040 ⇔ 047	Gobo 5
				048 ⇔ 055	Gobo 6
				056 ⇔ 063	Gobo 7
				064 ⇔ 071	Gobo 7 shake, slow to fast
				072 ⇔ 079	Gobo 6 shake, slow to fast
				080 ⇔ 087	Gobo 5 shake, slow to fast
				088 ⇔ 095	Gobo 4 shake, slow to fast
				096 ⇔ 103	Gobo 3 shake, slow to fast
				104 ⇔ 111	Gobo 2 shake, slow to fast
				112 ⇔ 119	Gobo 1 shake, slow to fast
				120 ⇔ 127	Open
128 ⇔ 189	Gobo clockwise rotation, slow to fast				
190 ⇔ 193	Stop				
194 ⇔ 255	Gobo counter-clockwise rotation, slow to fast				
5	5	8	Gobo rotation	000 ⇔ 007	No function
				008 ⇔ 119	Gobo rotation, clockwise, slow to fast
				120 ⇔ 231	Gobo rotation, counterclockwise, slow to fast
				232 ⇔ 255	Gobo bounce, short to long

08CH	10CH	14CH	Function	Value	Percent/Setting
6	6	9	Prism	000 ⇔ 015 016 ⇔ 255	No function 3-facet prism
7	7	10	Focus	000 ⇔ 255	Focus, large to small
-	8	11	Dimmer	000 ⇔ 255	0–100%
8	9	12	Shutter	000 ⇔ 003 004 ⇔ 007 008 ⇔ 076 077 ⇔ 145 146 ⇔ 215 216 ⇔ 255	Closed Open Strobe, slow to fast Pulse strobe, slow to fast Random strobe, slow to fast Open
-	10	13	Function	000 ⇔ 007 008 ⇔ 015 016 ⇔ 023 024 ⇔ 031 056 ⇔ 095 096 ⇔ 103 104 ⇔ 111 112 ⇔ 119 120 ⇔ 127 128 ⇔ 135 136 ⇔ 143 144 ⇔ 151 152 ⇔ 159 160 ⇔ 167 168 ⇔ 175 176 ⇔ 183 184 ⇔ 192 193 ⇔ 200 201 ⇔ 255	No function Blackout on pan/tilt movement Blackout on color wheel movement Blackout on gobo wheel movement No function Pan reset Tilt reset Color wheel reset Gobo wheel reset No function Prism reset Focus reset Reset all No function Run time from display menu setting Runtime 4-hour mode Runtime 6-hour mode Runtime 8-hour mode No function
-	-	14	Movement macro	000 ⇔ 007 008 ⇔ 023 024 ⇔ 039 040 ⇔ 055 056 ⇔ 071 072 ⇔ 087 088 ⇔ 103 104 ⇔ 119 120 ⇔ 135 136 ⇔ 151 152 ⇔ 167 168 ⇔ 183 184 ⇔ 199 200 ⇔ 215 216 ⇔ 231 232 ⇔ 247 248 ⇔ 255	No function Movement macro 1 Movement macro 2 Movement macro 3 Movement macro 4 Movement macro 5 Movement macro 6 Movement macro 7 Movement macro 8 Sound-active macro 1 Sound-active macro 2 Sound-active macro 3 Sound-active macro 4 Sound-active macro 5 Sound-active macro 6 Sound-active macro 7 Sound-active macro 8

### Standalone Configuration

Set the product in one of the standalone modes to control without a DMX controller.



**Never connect a product that is operating in any standalone mode to a DMX string connected to a DMX controller. Products in standalone mode may transmit DMX signals that could interfere with the DMX signals from the controller.**

### Run Mode

#### Automatic mode

To run the Intimidator Free Spot 60 ILS in automatic mode, follow the instructions below:

1. Press **<MENU>** repeatedly until **Run Mode** is displayed.
2. Press **<ENTER>**.
3. Use **<UP>** or **<DOWN>** to select **Auto**.
4. Press **<ENTER>**.

#### Sound-active mode

To run the Intimidator Free Spot 60 ILS in sound mode, do the following:

1. Press **<MENU>** repeatedly until **Run Mode** is displayed.
2. Press **<ENTER>**.
3. Use **<UP>** or **<DOWN>** to select **Sound**.
4. Press **<ENTER>**.

#### RF mode

To use the Intimidator Free Spot 60 ILS with an RFC or RFC-XL remote, it must first be set to RF mode. To do this, follow the instructions below:

1. Press **<MENU>** repeatedly until **Run Mode** is displayed.
2. Press **<ENTER>**.
3. Use **<UP>** or **<DOWN>** to select **RF**.
4. Press **<ENTER>**.



**For more information about using the Intimidator Free Spot 60 ILS with an RF remote, see [RFC Remote Control](#) section.**

### Manual Mode

To operate the Intimidator Free Spot 60 ILS manually through the menu, do the following:

1. Press **<MENU>** repeatedly until **Run Mode** is displayed.
2. Press **<ENTER>**.
3. Use **<UP>** or **<DOWN>** to select **Manual**.
4. Press **<ENTER>**.
5. Use **<UP>** or **<DOWN>** to select from **Pan, Tilt, Color, Gobo, Gobo Rotate, Prism, Focus, Dimmer, or Shutter**.
6. Press **<ENTER>**.
7. Use **<UP>** or **<DOWN>** to increase or decrease the value of the selected function, from **000–255**.
8. Press **<ENTER>**.
9. Repeat steps 6-9 until the product is set as desired.

## Settings Configuration

Use a DMX controller to set and control the Intimidator Free Spot 60 ILS.

### D-Fi Settings

To access the D-Fi Setting menu on the Intimidator Free Spot 60 ILS, do the following:

1. Press **<MENU>** repeatedly until **Setup** shows on the display.
2. Press **<ENTER>**.
3. Use **<UP>** or **<DOWN>** to select **DFI** (to activate D-Fi mode) or **DFI Channel** (to set the D-Fi channel).
4. Press **<ENTER>**.

To set which D-Fi mode the Intimidator Free Spot 60 ILS will follow, follow the instructions below:

1. Select the **DFI** option.
2. Use **<UP>** or **<DOWN>** to select **RX** (to set the product to receive D-Fi signal), **TX** (to set the product to transmit D-Fi signal), or **OFF** (to deactivate D-Fi mode).
3. Press **<ENTER>**.

To set the D-Fi channel on the Intimidator Free Spot 60 ILS, do the following:

1. Select the **DFI Channel** option.
2. Use **<UP>** or **<DOWN>** to set the D-Fi channel, from **1–16**.
3. Press **<ENTER>**.

### Pan Reverse

To manually set the orientation of the pan on the Intimidator Free Spot 60 ILS, follow the instructions below:

1. Press **<MENU>** repeatedly until **Setup** shows on the display.
2. Press **<ENTER>**.
3. Use **<UP>** or **<DOWN>** to select **Pan Reverse**.
4. Press **<ENTER>**.
5. Use **<UP>** or **<DOWN>** to select **OFF** (normal pan motion) or **ON** (reversed pan motion).
6. Press **<ENTER>**.

### Tilt Reverse

To manually set the orientation of the tilt on the Intimidator Free Spot 60 ILS, do the following:

1. Press **<MENU>** repeatedly until **Setup** shows on the display.
2. Press **<ENTER>**.
3. Use **<UP>** or **<DOWN>** to select **Tilt Reverse**.
4. Press **<ENTER>**.
5. Use **<UP>** or **<DOWN>** to select **OFF** (normal tilt motion) or **ON** (reversed tilt motion).
6. Press **<ENTER>**.

### Screen Reverse

To manually set the orientation of the tilt on the Intimidator Free Spot 60 ILS, do the following:

1. Press **<MENU>** repeatedly until **Setup** shows on the display.
2. Press **<ENTER>**.
3. Use **<UP>** or **<DOWN>** to select **Screen Reverse**.
4. Press **<ENTER>**.
5. Use **<UP>** or **<DOWN>** to select **OFF** (normal screen display) or **ON** (reversed screen display).
6. Press **<ENTER>**.

### Pan Range

To set the maximum angle of the pan on the Intimidator Free Spot 60 ILS, do the following:

1. Press **<MENU>** repeatedly until **Setup** shows on the display.
2. Press **<ENTER>**.
3. Use **<UP>** or **<DOWN>** to select **Pan Range**.
4. Press **<ENTER>**.
5. Use **<UP>** or **<DOWN>** to set the pan angle from **180** (180°), **360** (360°), or up to **540** (540°).
6. Press **<ENTER>**.

### Tilt Range

To set the maximum angle of the tilt on the Intimidator Free Spot 60 ILS, follow the instructions below:

1. Press **<MENU>** repeatedly until **Setup** shows on the display.
2. Press **<ENTER>**.
3. Use **<UP>** or **<DOWN>** to select **Tilt Range**.
4. Press **<ENTER>**.
5. Use **<UP>** or **<DOWN>** to set the tilt angle from **90** (90°), **180** (180°), or up to **234** (234°).
6. Press **<ENTER>**.



## Operation

### Totem Mode

To restrict the range of pan and tilt motion based on how the Intimidator Free Spot 60 ILS is mounted, do the following:

1. Press **<MENU>** repeatedly until **Setup** is displayed.
2. Press **<ENTER>**.
3. Use **<UP>** or **<DOWN>** to select **Totem Mode**.
4. Press **<ENTER>**.
5. Use **<UP>** or **<DOWN>** to select from **OFF** (no restriction on the pan and tilt motion), **UP** (restricts the pan and tilt motion for overhead mounting), or **DOWN** (restricts the pan and tilt motion for surface or floor mounting).
6. Press **<ENTER>**.

### Sound Sensitivity

To set the sound sensitivity on the Intimidator Free Spot 60 ILS, follow the instructions below:

1. Press **<MENU>** repeatedly until **Setup** is displayed.
2. Press **<ENTER>**.
3. Use **<UP>** or **<DOWN>** to select **Sensitivity**.
4. Press **<ENTER>**.
5. Use **<UP>** or **<DOWN>** to increase or decrease the sound sensitivity, from **000–100**.
6. Press **<ENTER>**.

### DMX Loss

To set the action that the Intimidator Free Spot 60 ILS will do when the DMX signal is lost, do the following:

1. Press **<MENU>** repeatedly until **Setup** is displayed.
2. Press **<ENTER>**.
3. Use **<UP>** or **<DOWN>** to select **DMX Loss**.
4. Press **<ENTER>**.
5. Use **<UP>** or **<DOWN>** to select from **Hold** (holds the last setting when DMX signal is lost), **Black** (blacks out the fixture when DMX signal is lost), **Auto** (sets the fixture to Auto mode when DMX signal is lost), or **Sound** (sets the fixture to Sound mode when DMX signal is lost).
6. Press **<ENTER>**.

### Indicator

To enable or disable the LED indicator on the Intimidator Free Spot 60 ILS, follow the instructions below:

1. Press **<MENU>** repeatedly until **Setup** is displayed.
2. Press **<ENTER>**.
3. Use **<UP>** or **<DOWN>** to select **Indicator**.
4. Press **<ENTER>**.
5. Use **<UP>** or **<DOWN>** to select from **ON** (enables the LED indicator) or **OFF** (disables the LED indicator).
6. Press **<ENTER>**.

### Flash if DMX

To set whether the LED indicator flashes when the Intimidator Free Spot 60 ILS is connected to or disconnected from the DMX, do the following:

1. Press **<MENU>** repeatedly until **Setup** is displayed.
2. Press **<ENTER>**.
3. Use **<UP>** or **<DOWN>** to select **Flash if DMX**.
4. Press **<ENTER>**.
5. Use **<UP>** or **<DOWN>** to select from **ON** (the LED indicator flashes when the fixture is connected to the DMX) or **OFF** (the LED indicator flashes when the fixture is disconnected to the DMX).
6. Press **<ENTER>**.

### Run Time

To adjust the run time on the Intimidator Free Spot 60 ILS, follow the instructions below:

1. Press **<MENU>** repeatedly until **Setup** is displayed.
2. Press **<ENTER>**.
3. Use **<UP>** or **<DOWN>** to select **Runtime**.
4. Press **<ENTER>**.
5. Use **<UP>** or **<DOWN>** to select the number of hours the fixture will run: **4 Hours**, **6 Hours**, or **8 Hours**.
6. Press **<ENTER>**.



**The maximum output is inversely proportional to the run time: The brighter the output, the less run time available.**

## RF Setting

To set how the Intimidator Free Spot 60 ILS will receive RF signal and work with RF remotes, do the following:

1. Press **<MENU>** repeatedly until **Setup** is displayed.
2. Press **<ENTER>**.
3. Use **<UP>** or **<DOWN>** to select **RF**.
4. Press **<ENTER>**.
5. Use **<UP>** or **<DOWN>** to select from the following: **Common** (to allow the fixture to respond to all RF signals), **Bind** (to link the fixture to a single RF remote), or **Off** (to turn off RF reception).
6. Press **<ENTER>**.

## RF Group

To select which group of fixtures the RF remote will control, follow the instructions below:

1. Press **<MENU>** repeatedly until **Setup** is displayed.
2. Press **<ENTER>**.
3. Use **<UP>** or **<DOWN>** to select **RF Group**.
4. Press **<ENTER>**.
5. Use **<UP>** or **<DOWN>** to select **Group 1–4**.
6. Press **<ENTER>**.

## Follow Spot

To enable control of the Intimidator Free Spot 60 ILS via ILS command, do the following:

1. Press **<MENU>** repeatedly until **Setup** is displayed.
2. Press **<ENTER>**.
3. Use **<UP>** or **<DOWN>** to select **Follow Spot**.
4. Press **<ENTER>**.
5. Use **<UP>** or **<DOWN>** to select **ON** (enables Follow Spot mode) or **OFF** (disables Follow Spot mode).
6. Press **<ENTER>**.

## Product Reset

To reset individual or all functions on the Intimidator Free Spot 60 ILS upon startup, do the following:

1. Press **<MENU>** repeatedly until **Setup** is displayed.
2. Press **<ENTER>**.
3. Use **<UP>** or **<DOWN>** to select **Reset**.
4. Press **<ENTER>**.
5. Use **<UP>** or **<DOWN>** to select **YES** (enables reset of all functions from startup) or **NO** (disables product reset from startup).
6. Press **<ENTER>**.

## Factory Reset

To reset the product to factory default settings, follow the instructions below:

1. Press **<MENU>** repeatedly until **Setup** is displayed.
2. Press **<ENTER>**.
3. Use **<UP>** or **<DOWN>** to select **Factory Reset**.
4. Press **<ENTER>**.
5. Use **<UP>** or **<DOWN>** to select **YES** (enables factory reset) or **NO** (disables factory reset).
6. Press **<ENTER>**.

## Product Information

To view the product information, do the following:

1. Press **<MENU>** repeatedly until **Sys Info** shows on the display.
2. Press **<ENTER>**.
3. Use **<UP>** or **<DOWN>** to choose among:
  - **Ver:** displays the current software version of the fixture
  - **Running Mode:** displays the current running mode
  - **DMX Address:** displays the DMX address
  - **Temperature:** displays the LED PCB temperature in °C
  - **DFI:** displays the fixture's D-Fi status

### ILS Mode

ILS (Integrated Lighting System) provides 4 modes that synchronize with the GigBAR MOVE+ILS: Modes 1 and 3 synchronize with side 1 of the GigBAR MOVE+ILS, whereas modes 2 and 4 synchronize with side 2 of the GigBAR MOVE+ILS. When linked, effects will sync with the most similar effect on the selected side of the GigBAR MOVE+ILS: Kinta effects will sync with one of the kintas, moving heads will sync with one of the moving heads, and wash effects will sync with one of the pars. Laser effects will sync with the laser, and strobe effects will sync with the strobe effects regardless of ILS mode.

This product will synchronize with the spot effect on the selected side of the GigBAR MOVE+ILS, as well as the laser and strobes.

To set the Intimidator Free Spot 60 ILS to respond to an ILS signal:

1. Press **<MENU>** repeatedly until **ILS** shows on the display.
2. Use **<UP>** or **<DOWN>** to select from **ILS1** (side 1), **ILS2** (side 2), **ILS3** (side 1), or **ILS4** (side 2).
3. Press **<ENTER>**.

### Master/Slave Mode

The Master/Slave mode allows a single Intimidator Free Spot 60 ILS product (the “master”) to control the actions of one or more Intimidator Free Spot 60 ILS products (the “slaves”) without the need of a DMX controller. The master product will be set to operate in Standalone, whereas the slave products will be set to operate in Slave mode. Once set and connected, the slave products will operate in unison with the master product. Configure the products as indicated below.

#### Slave products:

1. Press **<MENU>** repeatedly until **Setup** shows on the display. Press **<ENTER>**.
2. Use **<UP>** or **<DOWN>** to select **DFI**. Press **<ENTER>**.
3. Use **<UP>** or **<DOWN>** to select **RX**. Press **<ENTER>**.
4. Press **<MENU>** repeatedly until **Run Mode** shows on the display. Press **<ENTER>**.
5. Use **<UP>** or **<DOWN>** to select **Slave**. Press **<ENTER>**.
6. Use **<UP>** or **<DOWN>** to select the slave unit(s), from **Slave1–4**. Press **<ENTER>**.
7. Set the DMX address to **001**.
8. Set the D-Fi to receive a specific channel, **1–16**.
9. Finish setting and connecting all the slave products.

#### Master product:

1. Set the master product to operate in standalone mode.
2. Set the D-Fi to transmit on the D-Fi channel the slaves are receiving on.
  - **For more information on how to activate the Intimidator Free Spot 60 ILS built-in D-Fi, see [D-Fi Settings](#).**
  - **All products must be set to the same DMX personality, DMX address, and D-Fi channel.**
  - **Configure all the slave products before configuring the master to transmit.**
  - **Never connect a DMX controller to a D-Fi channel configured for Master/Slave operation because the controller may interfere with the signals from the master.**



## RFC Remote Control

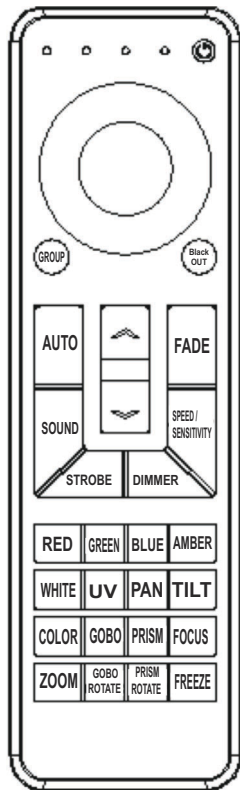
The Intimidator Free Spot 60 ILS can be operated with an RFC remote or an RFC-XL remote (sold separately). To enable RF control, follow the instructions below:

1. Press **<MENU>** repeatedly until **Setup** shows on the display.
2. Press **<ENTER>**.
3. Use **<UP>** or **<DOWN>** to select **RF**.
4. Press **<ENTER>**.
5. Use **<UP>** or **<DOWN>** to select from the following: **Common** (to allow the fixture to respond to all RF signals), **Bind** (to link the fixture to a single RF remote), or **Off** (to turn off RF reception).
6. Press **<ENTER>**.



For more information about using an RFC or RFC-XL remote, download the user manuals from [www.chauvetdj.com](http://www.chauvetdj.com)

## RFC-XL Remote Control Operation



### Automatic Mode

Automatic mode will enable you to run the automatic programs on the product.

To turn on Automatic mode:

1. Press **<AUTO>**.
2. Press **<+>** or **<->** to choose between the different auto programs.

To adjust the speed of the automatic program:

1. Press **<SPEED/SENSITIVITY>**.
2. Press **<+>** or **<->** to increase or decrease the speed of the program.

### Sound-Active Mode

To turn on Sound-Active mode:

1. Press **<SOUND>**.
2. Press **<+>** or **<->** to select a sound-active program.

To adjust the sound sensitivity:

1. Press **<SPEED/SENSITIVITY>**.
2. Press **<+>** or **<->** to increase or decrease the sensitivity.

### Dimmer

To adjust the total output of the product:

1. Press **<DIMMER>**.
2. Press **<+>** or **<->** to increase or decrease the output level.

### Prism

To adjust the focus of the product's output:

1. Press **<PRISM>**.
2. Press **<+>** or **<->** to select the prism.

### Focus

To adjust the focus of the product's output:

1. Press **<FOCUS>**.
2. Press **<+>** or **<->** to adjust the focus.

### Pan

To adjust the product's pan angle:

1. Press **<PAN>**.
2. Press **<+>** or **<->** to adjust the pan.

### Tilt

To adjust the product's tilt angle:

1. Press **<TILT>**.
2. Press **<+>** or **<->** to adjust the tilt.

### Black Out

To black out the lights of the product:

1. Press **<Black OUT>**. This will turn off all the lights until the button is pressed again.



The RFC-XL remote will not respond to any inputs when **Black Out** is activated. If the remote does not respond when a button is pressed, try pressing **<BLACK OUT>**. You may have inadvertently activated Black Out.

# 5. Maintenance

## Product Maintenance

Dust build-up reduces light output performance and can cause overheating. This can lead to reduction of the light source's life and/or mechanical wear. To maintain optimum performance and minimize wear, clean all lighting products at least twice a month. However, be aware that usage and environmental conditions could be contributing factors to increase the cleaning frequency.

To clean the product, follow the instructions below:

1. Unplug the product from power.
2. Wait until the product is at room temperature.
3. Use a vacuum (or dry compressed air) and a soft brush to remove dust collected on the external surface/vents.
4. Clean all transparent surfaces with a mild soap solution, ammonia-free glass cleaner, or isopropyl alcohol.
5. Apply the solution directly to a soft, lint-free cotton cloth or a lens-cleaning tissue.
6. Softly drag any dirt or grime to the outside of the transparent surface.
7. Gently polish the transparent surfaces until they are free of haze and lint.



**Always dry the transparent surfaces carefully after cleaning them.**

## 6. Technical Specifications

### Dimensions and Weight

Length	Width	Height	Weight
11.4 in (290 mm)	11.9 in (301 mm)	15.4 in (391 mm)	22 lb (9.9 kg)

**Note:** Dimensions in inches rounded to the nearest hundredth.

### Power

Power Supply Type	Range	Voltage Selection
Switching (internal)	100 to 240 VAC, 50/60 Hz	Auto-ranging
Parameter	120 V, 60 Hz	230 V, 50 Hz
Consumption	110 W	107 W
Operating Current	0.9 A	0.5 A
Fuse	T 2 A, 250 V	T 2 A, 250 V
Power I/O	U.S./Worldwide	UK/Europe
Power cord plug	Edison (U.S.)	Local plug

### Light Source

Type	Quantity	Color	Power	Current	Lifespan
LED	1	Cool white	70 W	4.8 A	50,000 hours

### Photometrics

Strobe Rate	Zoom Range	Illuminance @ 2 m (13°)	Illuminance @ 2 m (19°)
0 to 23 Hz	13°–19°	16,932 lux	9,424 lux

### Thermal

Maximum External Temperature	Cooling System
104 °F (40 °C)	Convection

### DMX

Input/Output	Channel Range
3-pin XLR	8, 10, or 14

### Ordering

Product Name	Item Code	UPC Number
Intimidator Free Spot 60 ILS	10012030	781462223786



## Contact Us

General Information	Technical Support
<b>Chauvet World Headquarters</b>	
Address: 3360 Davie Rd. Davie, FL 33314 Voice: (954) 577-4455 Fax: (954) 929-5560 Toll Free: (800) 762-1084	Voice: (844) 393-7575 Fax: (954) 756-8015 Email: <a href="mailto:chauvetcs@chauvetlighting.com">chauvetcs@chauvetlighting.com</a> Website: <a href="http://www.chauvetprofessional.com">www.chauvetprofessional.com</a>
<b>Chauvet U.K.</b>	
Address: Pod 1 EVO Park Little Oak Drive, Sherwood Park, Nottinghamshire, NG15 0EB UK Voice: +44 (0) 1773 511115 Fax: +44 (0) 1773 511110	Email: <a href="mailto:UKtech@chauvetlighting.eu">UKtech@chauvetlighting.eu</a> Website: <a href="http://www.chauvetprofessional.eu">www.chauvetprofessional.eu</a>
<b>Chauvet Benelux</b>	
Address: Stokstraat 18 9770 Kruishoutem Belgium Voice: +32 9 388 93 97	Email: <a href="mailto:BNLtech@chauvetlighting.eu">BNLtech@chauvetlighting.eu</a> Website: <a href="http://www.chauvetprofessional.eu">www.chauvetprofessional.eu</a>
<b>Chauvet France</b>	
Address: 3, Rue Ampère 91380 Chilly-Mazarin France Voice: +33 1 78 85 33 59	Email: <a href="mailto:FRtech@chauvetlighting.fr">FRtech@chauvetlighting.fr</a> Website: <a href="http://www.chauvetprofessional.eu">www.chauvetprofessional.eu</a>
<b>Chauvet Germany</b>	
Address: Bruno-Bürgel-Str. 11 28759 Bremen Germany Voice: +49 421 62 60 20	Email: <a href="mailto:DEtech@chauvetlighting.de">DEtech@chauvetlighting.de</a> Website: <a href="http://www.chauvetprofessional.eu">www.chauvetprofessional.eu</a>
<b>Chauvet Mexico</b>	
Address: Av. de las Partidas 34 - 3B (Entrance by Calle 2) Zona Industrial Lerma Lerma, Edo. de México, CP 52000 Voice: +52 (728) 690-2010	Email: <a href="mailto:servicio@chauvet.com.mx">servicio@chauvet.com.mx</a> Website: <a href="http://www.chauvetprofessional.mx">www.chauvetprofessional.mx</a>

## Warranty & Returns

For warranty terms and conditions and return information, please visit our website.

For customers in the United States and Mexico: [www.chauvetlighting.com/warranty-registration](http://www.chauvetlighting.com/warranty-registration).

For customers in the United Kingdom, Republic of Ireland, Belgium, the Netherlands, Luxembourg, France, and Germany: [www.chauvetlighting.eu/warranty-registration](http://www.chauvetlighting.eu/warranty-registration).