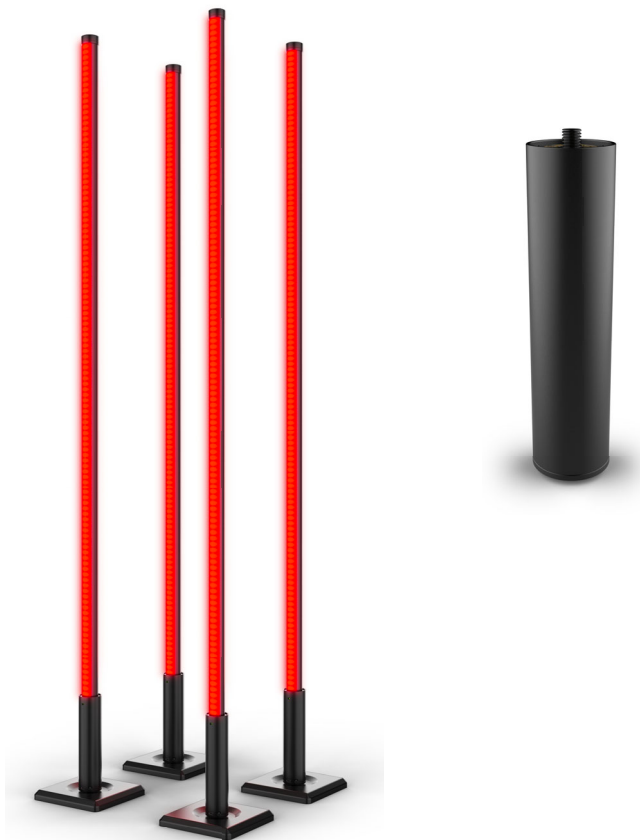


FREEDOM FLEX
STICK x4

FREEDOM FLEX
STICK BATTERY

User Manual



Edition Notes

The Freedom Flex Stick X4 and Freedom Flex Stick Battery User Manual includes a description, safety precautions, installation, programming, operation, and maintenance instructions for the Freedom Flex Stick X4 and Freedom Flex Stick Battery as of the release date of this edition.

Trademarks

Chauvet, Chauvet DJ, the Chauvet logo, and Freedom Flex are registered trademarks or trademarks of Chauvet & Sons, LLC (d/b/a Chauvet and Chauvet Lighting) in the United States and other countries. Other company and product names and logos referred to herein may be trademarks of their respective companies.

Copyright Notice

The works of authorship contained in this manual, including, but not limited to, all designs, text, and images are owned by Chauvet.

© Copyright 2026 Chauvet & Sons, LLC. All rights reserved.

Electronically published by Chauvet in the United States of America.

Manual Use

Chauvet authorizes its customers to download and print this manual for professional information purposes only. Chauvet expressly prohibits the usage, copy, storage, distribution, modification, or printing of this manual or its content for any other purpose without written consent from Chauvet.

Document Printing

For best results, print this document in color, on letter size paper (8.5 x 11 in), double-sided. If using A4 paper (210 x 297 mm), configure the printer to scale the content accordingly.

Intended Audience

Any person installing, operating, and/or maintaining this product should completely read through the guide that shipped with the product, as well as this manual, before installing, operating, or maintaining this product.

Disclaimer

Chauvet believes that the information contained in this manual is accurate in all respects. However, Chauvet assumes no responsibility and specifically disclaims any and all liability to any party for any loss, damage, or disruption caused by any errors or omissions in this document, whether such errors or omissions result from negligence, accident, or any other cause. Chauvet reserves the right to revise the content of this document without any obligation to notify any person or company of such revision; however, Chauvet has no obligation to make, and does not commit to make, any such revisions.

Document Revision

Go to www.chauvetdj.com for the latest version.

Revision	Date	Description
3	03/2026	Added CCT values to DMX chart

TABLE OF CONTENTS

1. Before You Begin	1
What Is Included	1
Unpacking Instructions	1
Claims	1
Text Conventions	1
Symbols	1
Safety Notes	2
Battery Charge Notes	2
FCC Statement of Compliance	3
2. Introduction	4
Product Overview	4
Overview 1	4
Product Dimensions	6
3. Setup	7
AC Power	7
AC Plug	7
Battery Power	7
Charging the Battery	7
Battery Status Indicator	7
Battery Run Time	7
Connecting	8
Connecting Diagram	8
Mounting	9
Orientation	9
Rigging	9
Mounting Diagram	9
4. Operation	11
Control Panel Operation	11
Menu Map	11
DMX Configuration	13
Personality and Starting Address	13
15CH / 4CH	14
34CH / 18CH	15
94CH / 66CH	16
Color Chart	18
Color Temperature Chart	18
Program Chart	18
Standalone Configuration	19
Static Mode	19
Auto Show	19
Sound-Active Mode	20
Runway	20
DMX Loss	20
Back Light	21
Information	21
Factory Reset	21
Master/Slave Mode	22
RFC Remote Control	23

RFC Remote Control Operation	24
5. Maintenance	25
Product Maintenance	25
6. Technical Specifications	26
Contact Us	27
Warranty & Returns	27

1. Before You Begin

What Is Included

Freedom Flex Stick X4

- Freedom Flex Stick X4
- 4 white sleeves
- 4 USB-C to XLR adapters
- 4 batteries
- 4 bases
- 8 clips
- 1 multi-charger
- 1 case
- Quick reference guide

Freedom Flex Stick Battery

- Freedom Flex Stick Battery
- Quick Reference Guide

Unpacking Instructions

Carefully unpack the product immediately and check the container to make sure all the parts are in the package and are in good condition.

Claims

If the box or the contents (the product and included accessories) appear damaged from shipping, or show signs of mishandling, notify the carrier immediately, not Chauvet. Failure to report damage to the carrier immediately may invalidate a claim. In addition, keep the box and contents for inspection.

For other issues, such as missing components or parts, damage not related to shipping, or concealed damage, file a claim with Chauvet within 7 days of delivery.

Text Conventions

Convention	Meaning
1–512	A range of values
50/60	A set of values of which only one can be chosen
Settings	A menu option not to be modified
<ENTER>	A key to be pressed on the product’s control panel
ON	A value to be entered or selected

Symbols

Symbol	Meaning
	Electrical warning. Not following these instructions may cause electrical damage to the product, accessories, or the user.
	Critical installation, configuration, or operation information. Not following these instructions may make the product not work, cause damage to the product, or cause harm to the operator.
	Important installation or configuration information. The product may not function correctly if this information is not used.
	Useful information.

Safety Notes

These Safety Notes include important information about installation, use, and maintenance of the Freedom Flex Stick X4 and Freedom Flex Stick Battery.



- **ALWAYS:**
 - ◆ Connect to a grounded circuit.
 - ◆ Connect to operating voltages as specified on the product's spec sticker.
 - ◆ Disconnect from power before replacing the fuse.
 - ◆ Disconnect from its power source during periods of inactivity.
 - ◆ Use a safety cable when suspending overhead.
 - ◆ Heed all restrictions and warnings on the spec sticker.
 - ◆ Mount in a location with at least 20 in (50 cm) of ventilation.
 - ◆ Replace the fuse with the same type and rating.
- In the event of a serious operating problem, stop using immediately.
- **DO NOT:**



- ◆ Open this product or attempt any repairs. It contains no user-serviceable parts.
- ◆ Look at the light source when the product is on.
- ◆ Allow flammable materials close to the product when it is operating.
- ◆ Touch the housing when it is on.
- ◆ Block any ventilation holes/slots in the housing.
- ◆ Connect to a dimmer or rheostat.
- ◆ Operate in temperatures higher than 104°F (40°C).
- ◆ Expose to environments that exceed the Ingress Protection (IP) rating.
- ◆ Expose to rain or moisture.
- ◆ Use outdoors.
- ◆ Submerge.
- ◆ Set this product on a flammable surface.



Keep this User Manual for future use. If the product is sold to someone else, be sure that they also receive this document.

Battery Charge Notes

Rechargeable lithium-ion batteries are potentially hazardous and can present a serious FIRE HAZARD, SERIOUS INJURY and/or PROPERTY DAMAGE if damaged, defective, or improperly used.



- **ALWAYS:**
 - ◆ Charge using a manufacturer-provided charger while the product is powered off.
 - ◆ Charge the battery in temperatures between 32°-95°F (0°-35°C).
 - ◆ Allow a depleted battery to charge for a few minutes before turning on the product. If the battery is completely discharged, the device cannot be turned on immediately when the charger is connected.
 - ◆ Keep at least 3 ft (1 m) distance to any heat source and away from flammable materials.
 - ◆ Keep the lid of any charging case open while charging.
 - ◆ Keep batteries away from children.
 - ◆ Store batteries between 40-60% charge.
 - ◆ Follow local regulations when disposing of batteries.
 - ◆ Replace with an authentic Chauvet battery.
- **DO NOT:**
 - ◆ Continue charging if the battery becomes hot, smokes, swells, or gives off an odor during charging.
 - ◆ Leave the product unattended while charging.
 - ◆ Deplete the battery below 10%.
 - ◆ Charge the battery in a closed container.
 - ◆ Charge for more than 24 hours.

FCC Statement of Compliance

This device complies with Part 15 Part B of the FCC rules. Operation is subject to the following two conditions:

1. This device may not cause harmful interference, and
2. This device must accept any interference received, including interference that may cause undesired operation.

This equipment has been tested and found to comply with the limits for a Class B digital device, pursuant to Part 15 of the FCC Rules. These limits are designed to provide reasonable protection against harmful interference in a residential installation. This equipment generates uses and can radiate radio frequency energy and, if not installed and used in accordance with the instructions, may cause harmful interference to radio communications. However, there is no guarantee that interference will not occur in a particular installation. If this equipment does cause harmful interference to radio or television reception, which can be determined by turning the equipment off and on, the user is encouraged to try to correct the interference by one or more of the following measures:

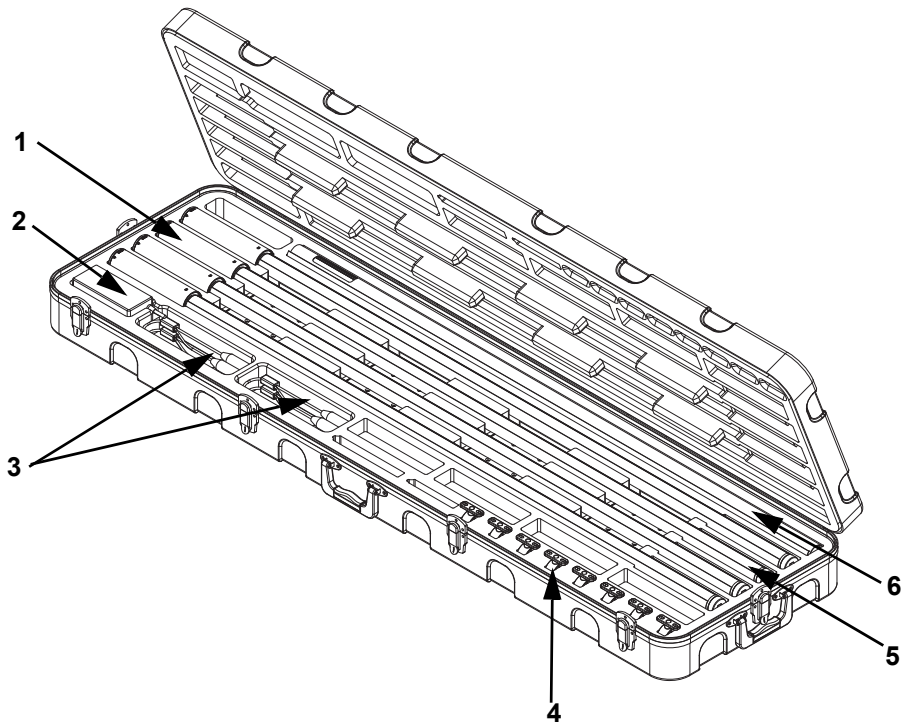
- Reorient or relocate the receiving antenna.
- Increase the separation between the equipment and receiver.
- Connect the equipment into an outlet on a circuit different from that to which the receiver is connected.
- Consult the dealer or an experienced radio/TV technician for help.

Any changes or modifications not expressly approved by the party responsible for compliance could void the user's authority to operate the equipment.

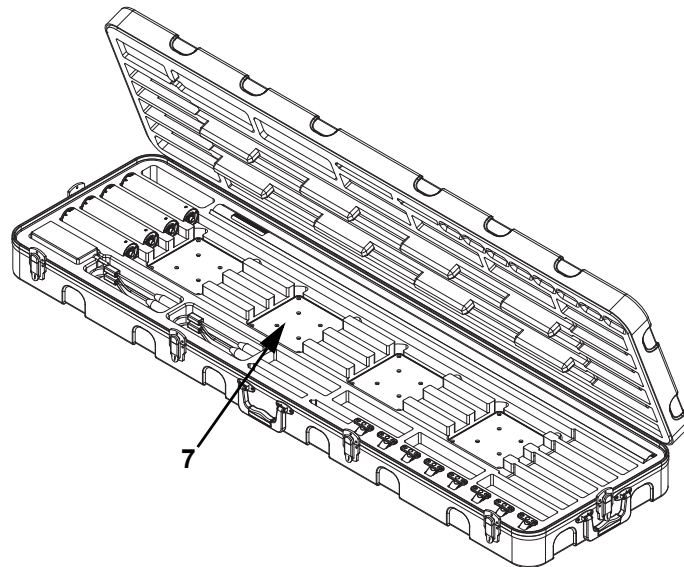
2. Introduction

Product Overview

Overview 1

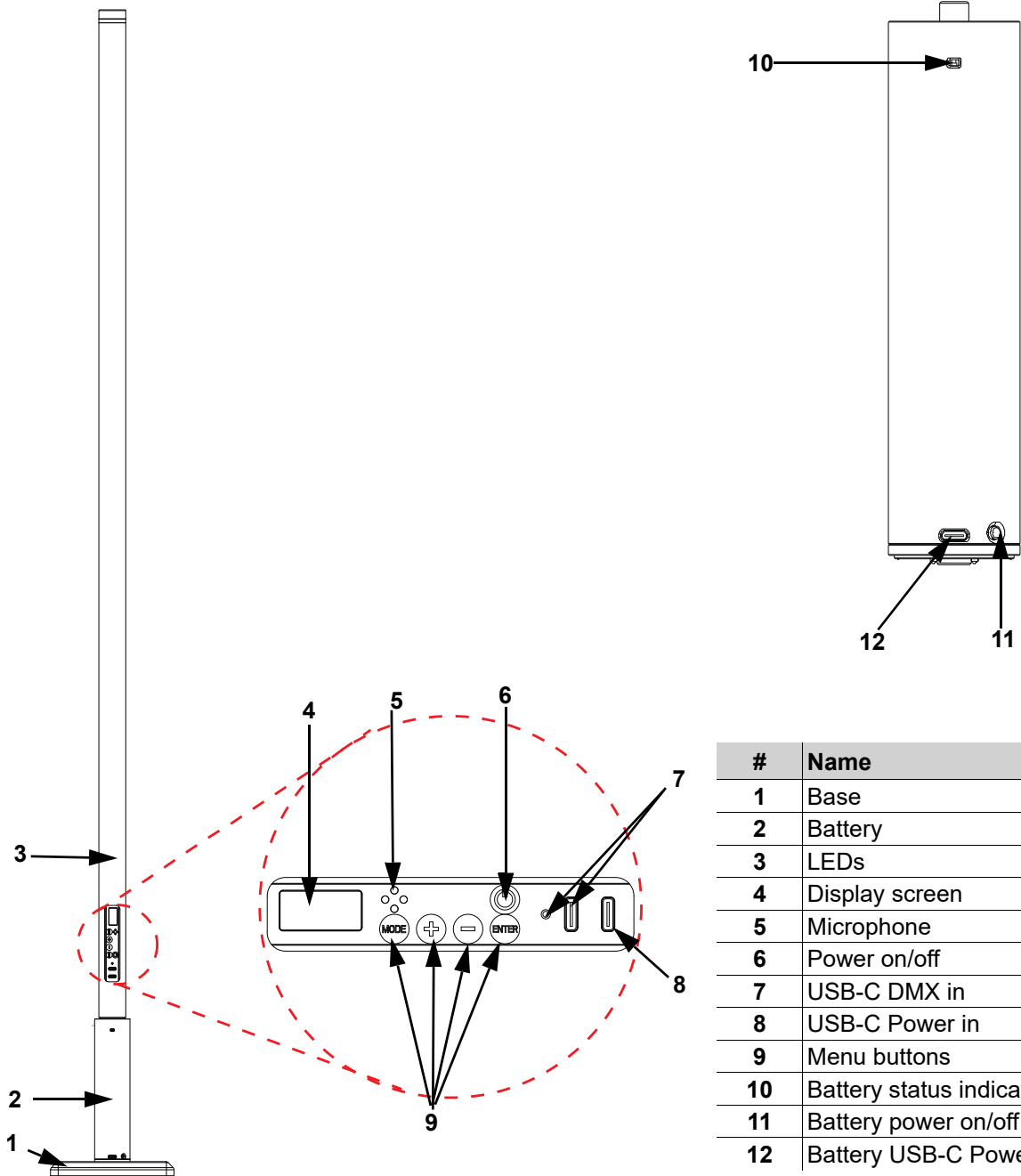


#	Name
1	Battery (x4)
2	Multi-charger
3	USB-C to XLR adapters
4	Hanging clips
5	Freedom Flex Stick (x4)
6	White sleeves
7	Bases (x4)



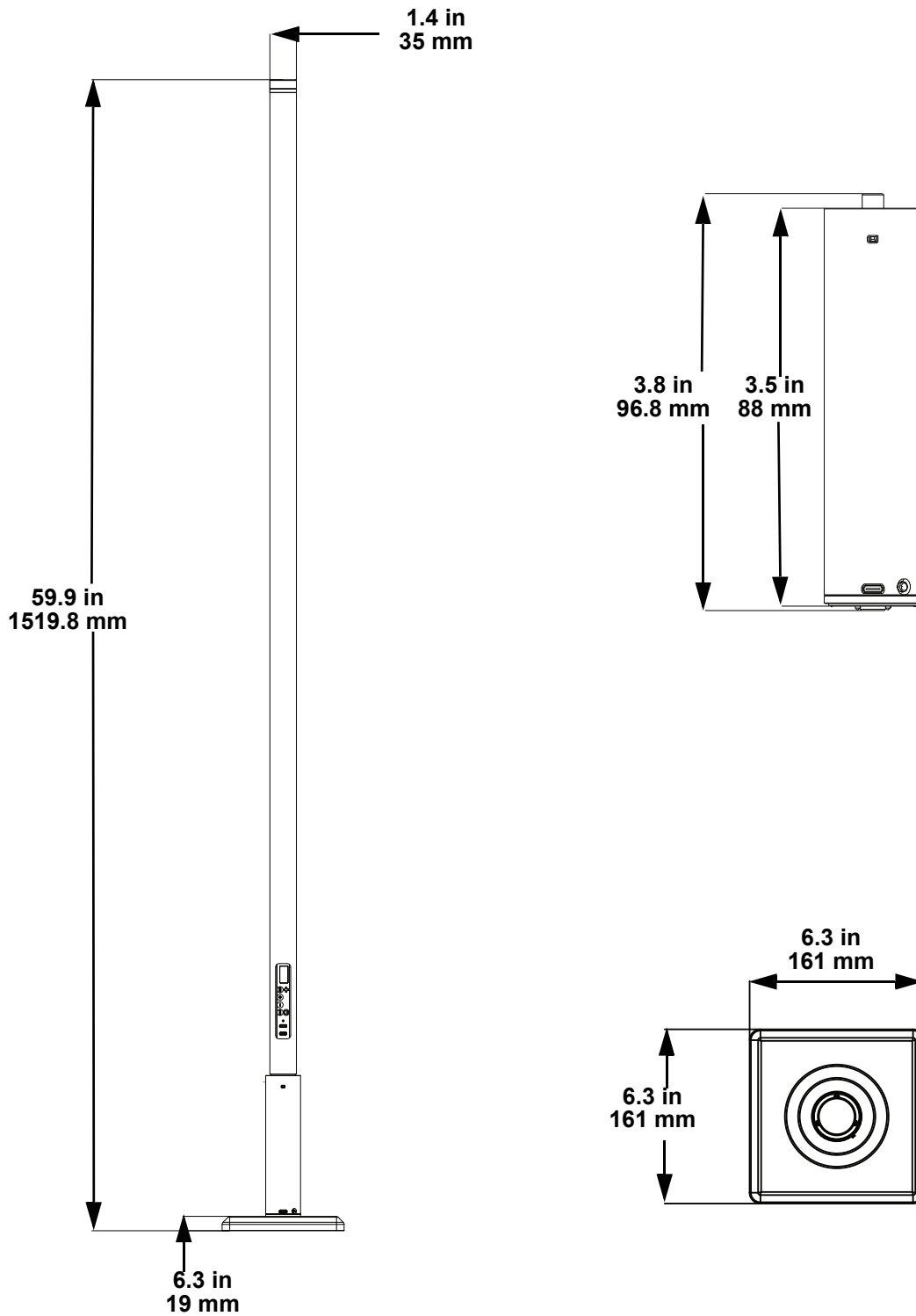
Overview 2

Battery view



#	Name
1	Base
2	Battery
3	LEDs
4	Display screen
5	Microphone
6	Power on/off
7	USB-C DMX in
8	USB-C Power in
9	Menu buttons
10	Battery status indicator
11	Battery power on/off
12	Battery USB-C Power in

Product Dimensions



3. Setup

AC Power

The Freedom Flex Stick X4 and Freedom Flex Stick Battery has an external power supply and it can work with an input voltage range of 100 to 240 VAC, 50/60 Hz.

To determine the product's power requirements (circuit breaker, power outlet, and wiring), use the current value listed on the label affixed to the product's back panel, or refer to the product's specifications chart.

The listed current rating indicates the product's average current draw under normal conditions.



- **Always connect the product to a protected circuit (a circuit breaker or fuse). Make sure the product has an appropriate electrical ground to avoid the risk of electrocution or fire.**
- **To eliminate unnecessary wear and improve its lifespan, during periods of non-use completely disconnect the product from power via breaker or by unplugging it.**



- **Never connect the product to a rheostat (variable resistor) or dimmer circuit, even if the rheostat or dimmer channel serves only as a 0 to 100% switch.**

AC Plug

This product can be connected to a dimmer or rheostat, by plugging in to a standard outlet controlled by a dimmer or rheostat, or by splicing the power cable and connecting to the included track adapter.

Connection	Wire (U.S.)	Wire (Europe)	Screw Color
AC Live	Black	Brown	Yellow/Brass
AC Neutral	White	Blue	Silver
AC Ground	Green/Yellow	Green/Yellow	Green/Silver

Battery Power

The Freedom Flex Stick X4 and Freedom Flex Stick Battery comes with a rechargeable lithium battery for cable-free operation.

Charging the Battery

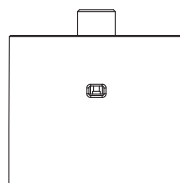
The battery charges whenever the Freedom Flex Stick X4 and Freedom Flex Stick Battery is plugged into a power source using the included power cable. If the product is plugged in and not in operation, make sure the product is turned off.



- **Before charging the product, read and follow the [Battery Charge Notes](#).**
- **The battery status indicator light will flash if units are overcharged.**
- **DO NOT use the Freedom Flex Stick (X4) on full power mode (all LEDs at 100%) while being charged/plugged into a power source, as the unit will get extremely hot.**
- **If connecting multiple Freedom Flex batteries, ensure that both batteries are off while doing so**

Battery Status Indicator

The battery status indicator on the top of the battery shows how much battery life remains available. The table below provides a key to reading the battery status indicator.



Indicator	Battery Status
Green (solid)	High (about 67–100%)
Green (flashing)	Medium (about 34–66%)
Red (solid)	Low (less than 33%)
Red (flashing)	Very low

Battery Run Time

Maximum Run Time (all colors on)	Maximum Run Time (single color on)	Recharge Time
Up to 6 hours	Up to 8 hours	3 hours

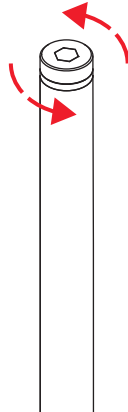
Connecting

It is possible to connect up to 3 Freedom Flex Stick products together for operation in Runway mode. For further instructions on the how to operate the fixture in Runway mode, see [Operation](#).

Connecting Diagram

To safely connect Freedom Flex Stick products, follow the instructions below:

1. Turn the cap counter-clockwise to release it completely from the top of the fixture.

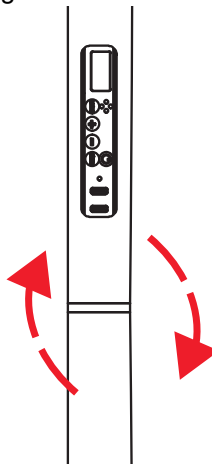


2. With the cap removed, insert the top of the fixture into the base of another Freedom Flex Stick.



- **DO NOT** connect Freedom Flex Sticks when Floor mounting.
- **DO NOT** connect more than 3 Freedom Flex Sticks, regardless of mounting orientation.

3. Screw gently to fasten the fixtures together.



Mounting

Before mounting the product, read and follow the safety recommendations indicated in the [Safety Notes](#).

Orientation

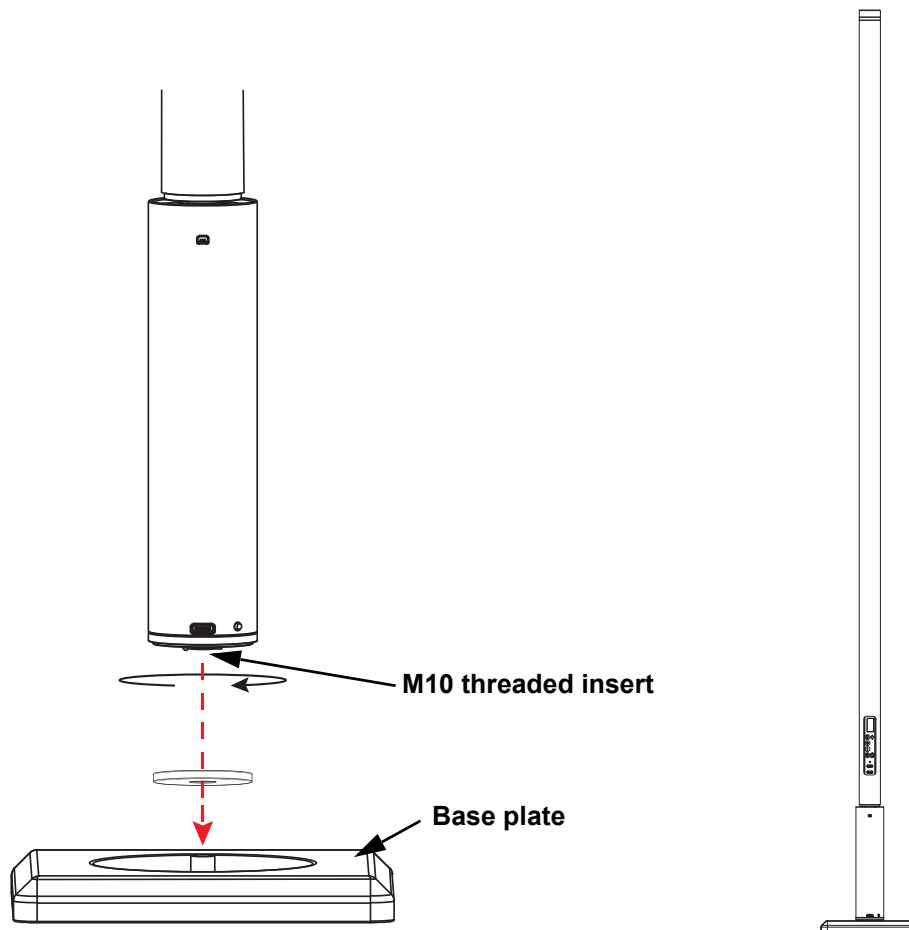
The Freedom Flex Stick X4 and Freedom Flex Stick Battery may be mounted in any position; however, make sure adequate ventilation is provided around the product.

Rigging

- Before deciding on a location for the product, always make sure there is easy access to the product for maintenance and programming.
- Make sure that the structure and attachment points can support the weight before hanging the product (see the [Technical Specifications](#))
- Mount the product securely to a rigging point, such as an elevated platform or a truss.
- When rigging the product onto a truss, use a mounting clamp of appropriate weight capacity. The bracket has a 13-mm hole, which is appropriate for this purpose.
- When mounting the product on the floor, make sure that the product and cables are away from people and vehicles.

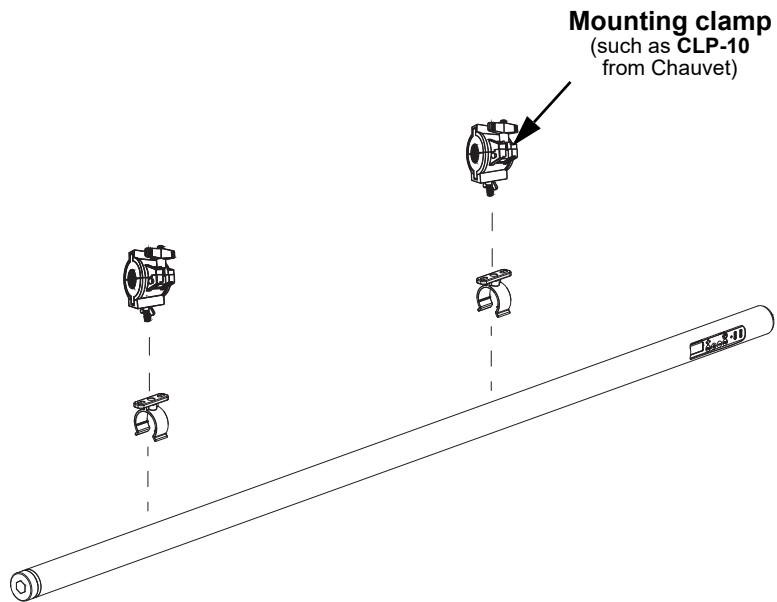
Mounting Diagram

Surface Mounting

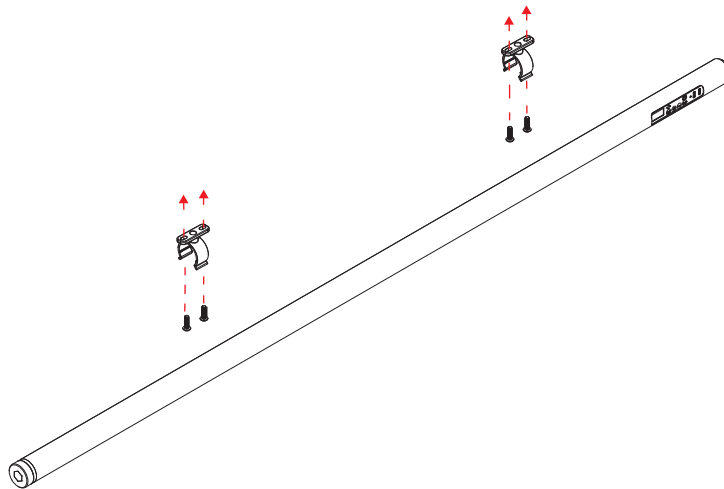


It is possible to mount the Freedom Flex Stick on a surface with or without the Freedom Flex Stick battery attached.

Overhead Mounting



Wall/Ceiling Mounting



4. Operation

Control Panel Operation

To access the control panel functions, use the four buttons located underneath the display. Please refer to the [Product Overview](#) to see the button locations on the control panel.

Button	Function
<MENU>	Press to find an operation mode or to back out of the current menu option
<UP>	Press to scroll up the list of options or to find a higher value
<DOWN>	Press to scroll down the list of options or to find a lower value
<ENTER>	Press to activate a menu option or a selected value

Menu Map

Refer to the Freedom Flex Stick X4 and Freedom Flex Stick Battery product page on www.chauvetdj.com for the latest menu map and software.

Main Menu	Programming Levels		Description
DFI	DFI Mode	RX	Sets the product to receive D-Fi signal
		TX	Sets the product to transmit D-Fi signal
		OFF	Disables D-Fi mode
	DFI Channel	01–16	Sets D-Fi channel
DMX Address	001–419		Selects DMX starting address
DMX Channel	4 Ch		4-channel DMX mode
	15 Ch		15-channel DMX mode
	18Ch		18-channel DMX mode
	34Ch		34-channel DMX mode
	66Ch		66-channel DMX mode
	94Ch		94-channel DMX mode
Slave	1–4		Sets which slave unit(s) will mimic the master unit
Static	Fixed Color	R	Selects a single static color or a combination of static colors
		G	
		B	
		W	
		RG	
		RB	
		RW	
		GB	
		GW	
		BW	
		RGB	
		RGW	
		RBW	
		GBW	
		RGBW	
		2700K	
3500K			
4000K			
5600K			
6100K			
7000k			

Main Menu	Programming Levels		Description	
Static (Cont'd)	Manual Color Mixer	Red	0–255	Combines red, green, blue, and white to make a custom color (0–100%)
		Green		
		Blue		
		White		
Auto Show	Program	01–25	Selects the foreground and background colors	
	Speed	001–100	Adjusts the speed of auto programs	
Sound Show	Program	01–25	Selects sound show auto program	
	Sensitivity	001–100	Adjusts sound show sensitivity	
	P-Style	Single		Displays one background color
		Looping		Cycles through all of the background colors in order
		Random		Displays background colors randomly
	P-Color	R		Selects background color/temperature for sound show operation
		G		
		B		
		W		
		RG		
		RB		
		RW		
		GB		
		GW		
		BW		
		RGB		
		RGW		
		RBW		
		GBW		
RGBW				
2700K				
3500K				
4000K				
5600K				
6100K				
7000k				
Runway	OFF		Disables connect mode	
	Master		Sets fixture to master in connect mode	
	Slave		Sets fixture to slave in connect mode	
RF	RF Mode	PUBLIC	Allows the fixture to respond to all RF signals	
		BIND	Links the fixture to a single RF remote	
		OFF	Disables RF mode	
	RF Binding	----	Displays RF mode binding status	
RF Group	1–4	Sets which group of fixtures the RFC-XL remote will control		

Main Menu	Programming Levels	Description
DMX Loss	HOLD	Holds the last setting when the DMX signal is lost
	BLACK	Blacks out the unit when the DMX signal is lost
	SOUND	Sets the unit to Sound mode when DMX signal is lost
	AUTO	Sets the unit to Auto mode when DMX signal is lost
Back Light	10S	Turns off display backlight after 10 seconds of inactivity
	30S	Turns off display backlight after 30 seconds of inactivity
	2Min	Turns off display backlight after 2 minutes of inactivity
	Always On	Display backlight remains on
Information	Version <V_ _ _ _ _>	Displays firmware version
Factory Reset	NO	Resets settings to factory default
	YES	



Products may sync differently while in Sound-Active mode and Master/Slave mode.

DMX Configuration

The Freedom Flex Stick X4 and Freedom Flex Stick Battery works with a DMX controller. Information about DMX is in the Chauvet DMX Primer, which is available from the Chauvet website chauvetlighting.com/downloads/DMX_Primer_rev05_WO.pdf.

Personality and Starting Address

The Freedom Flex Stick X4 and Freedom Flex Stick Battery uses up to 94 DMX channels in the **94CH** DMX mode, which defines the highest configurable/recommended address to **419**.

When selecting a starting DMX address, always consider the number of DMX channels the DMX mode uses. If the starting address is set too high, access to some channels could be restricted.

For information about the DMX protocol, download the DMX Primer from www.chauvetdj.com.

To select the personality and starting address, do the following:

1. Press <MENU>.
2. Use <UP> or <DOWN> to select **DMX Channel**.
3. Press <ENTER>.
4. Use <UP> or <DOWN> to select **4CH, 15CH, 18CH, 34CH, 66CH, or 94CH** shows on the display.
5. Press <ENTER>.

DMX Channel Assignments and Values

15CH / 4CH

4CH	15CH	Function	Value	Percent/Setting
–	1	Dimmer	000 ⇔ 255	0–100%
1	2	Red	000 ⇔ 255	0–100%
2	3	Green	000 ⇔ 255	0–100%
3	4	Blue	000 ⇔ 255	0–100%
4	5	White	000 ⇔ 255	0–100%
–	6	CTC	000 ⇔ 255	See Color Temperature Chart
–	7	Strobe	000 ⇔ 010	No function
			011 ⇔ 255	Strobe, slow to fast
–	8	Auto program	000 ⇔ 255	See Program Chart
–	9	Auto program speed	000 ⇔ 255	Auto speed, slow to fast
–	10	Foreground color dimmer	000 ⇔ 255	0–100%
–	11	Foreground color	000 ⇔ 255	See Color Chart
–	12	Background dimmer	000 ⇔ 255	0–100%
–	13	Background color	000 ⇔ 255	See Color Chart
–	14	Dimmer speed mode	000 ⇔ 101	Dimmer speed mode (off)
			102 ⇔ 152	Dimmer speed mode 1 (fastest)
			153 ⇔ 203	Dimmer speed mode 2
			204 ⇔ 255	Dimmer speed mode 3 (slowest)
–	15	Color fade speed, (channels 2-6)	000 ⇔ 255	0–100%

34CH / 18CH

18CH	34CH	Function	Value	Percent/Setting
1	1	Dimmer	000 ⇔ 255	0–100%
2	2	Red 1	000 ⇔ 255	0–100%
3	3	Green 1	000 ⇔ 255	0–100%
4	4	Blue 1	000 ⇔ 255	0–100%
5	5	White 1	000 ⇔ 255	0–100%
6	6	Red 2	000 ⇔ 255	0–100%
7	7	Green 2	000 ⇔ 255	0–100%
8	8	Blue 2	000 ⇔ 255	0–100%
9	9	White 2	000 ⇔ 255	0–100%
10	10	Red 3	000 ⇔ 255	0–100%
11	11	Green 3	000 ⇔ 255	0–100%
12	12	Blue 3	000 ⇔ 255	0–100%
13	13	White 3	000 ⇔ 255	0–100%
14	14	Red 4	000 ⇔ 255	0–100%
15	15	Green 4	000 ⇔ 255	0–100%
16	16	Blue 4	000 ⇔ 255	0–100%
17	17	White 4	000 ⇔ 255	0–100%
–	18	Red 5	000 ⇔ 255	0–100%
–	19	Green 5	000 ⇔ 255	0–100%
–	20	Blue 5	000 ⇔ 255	0–100%
–	21	White 5	000 ⇔ 255	0–100%
–	22	Red 6	000 ⇔ 255	0–100%
–	23	Green 6	000 ⇔ 255	0–100%
–	24	Blue 6	000 ⇔ 255	0–100%
–	25	White 6	000 ⇔ 255	0–100%
–	26	Red 7	000 ⇔ 255	0–100%
–	27	Green 7	000 ⇔ 255	0–100%
–	28	Blue 7	000 ⇔ 255	0–100%
–	29	White 7	000 ⇔ 255	0–100%
–	30	Red 8	000 ⇔ 255	0–100%
–	31	Green 8	000 ⇔ 255	0–100%
–	32	Blue 8	000 ⇔ 255	0–100%
–	33	White 8	000 ⇔ 255	0–100%
18	34	Strobe	000 ⇔ 010	No function
			011 ⇔ 255	Strobe, slow to fast

94CH / 66CH

66CH	94CH	Function	Value	Percent/Setting
1	1	Dimmer	000 ⇔ 255	0–100%
2	2	Red 1	000 ⇔ 255	0–100%
3	3	Green 1	000 ⇔ 255	0–100%
4	4	Blue 1	000 ⇔ 255	0–100%
5	5	White 1	000 ⇔ 255	0–100%
6	6	Red 2	000 ⇔ 255	0–100%
7	7	Green 2	000 ⇔ 255	0–100%
8	8	Blue 2	000 ⇔ 255	0–100%
9	9	White 2	000 ⇔ 255	0–100%
10	10	Red 3	000 ⇔ 255	0–100%
11	11	Green 3	000 ⇔ 255	0–100%
12	12	Blue 3	000 ⇔ 255	0–100%
13	13	White 3	000 ⇔ 255	0–100%
14	14	Red 4	000 ⇔ 255	0–100%
15	15	Green 4	000 ⇔ 255	0–100%
16	16	Blue 4	000 ⇔ 255	0–100%
17	17	White 4	000 ⇔ 255	0–100%
18	18	Red 5	000 ⇔ 255	0–100%
19	19	Green 5	000 ⇔ 255	0–100%
20	20	Blue 5	000 ⇔ 255	0–100%
21	21	White 5	000 ⇔ 255	0–100%
22	22	Red 6	000 ⇔ 255	0–100%
23	23	Green 6	000 ⇔ 255	0–100%
24	24	Blue 6	000 ⇔ 255	0–100%
25	25	White 6	000 ⇔ 255	0–100%
26	26	Red 7	000 ⇔ 255	0–100%
27	27	Green 7	000 ⇔ 255	0–100%
28	28	Blue 7	000 ⇔ 255	0–100%
29	29	White 7	000 ⇔ 255	0–100%
30	30	Red 8	000 ⇔ 255	0–100%
31	31	Green 8	000 ⇔ 255	0–100%
32	32	Blue 8	000 ⇔ 255	0–100%
33	33	White 8	000 ⇔ 255	0–100%
34	34	Red 9	000 ⇔ 255	0–100%
35	35	Green 9	000 ⇔ 255	0–100%
36	36	Blue 9	000 ⇔ 255	0–100%
37	37	White 9	000 ⇔ 255	0–100%
38	38	Red 10	000 ⇔ 255	0–100%
39	39	Green 10	000 ⇔ 255	0–100%
40	40	Blue 10	000 ⇔ 255	0–100%
41	41	White 10	000 ⇔ 255	0–100%
42	42	Red 11	000 ⇔ 255	0–100%
43	43	Green 11	000 ⇔ 255	0–100%
44	44	Blue 11	000 ⇔ 255	0–100%
45	45	White 11	000 ⇔ 255	0–100%
46	46	Red 12	000 ⇔ 255	0–100%

66CH	94CH	Function	Value	Percent/Setting
47	47	Green 12	000 ⇔ 255	0–100%
48	48	Blue 12	000 ⇔ 255	0–100%
49	49	White 12	000 ⇔ 255	0–100%
50	50	Red 13	000 ⇔ 255	0–100%
51	51	Green 13	000 ⇔ 255	0–100%
52	52	Blue 13	000 ⇔ 255	0–100%
53	53	White 13	000 ⇔ 255	0–100%
54	54	Red 14	000 ⇔ 255	0–100%
55	55	Green 14	000 ⇔ 255	0–100%
56	56	Blue 14	000 ⇔ 255	0–100%
57	57	White 14	000 ⇔ 255	0–100%
58	58	Red 15	000 ⇔ 255	0–100%
59	59	Green 15	000 ⇔ 255	0–100%
60	60	Blue 15	000 ⇔ 255	0–100%
61	61	White 15	000 ⇔ 255	0–100%
62	62	Red 16	000 ⇔ 255	0–100%
63	63	Green 16	000 ⇔ 255	0–100%
64	64	Blue 16	000 ⇔ 255	0–100%
65	65	White 16	000 ⇔ 255	0–100%
–	66	Red 17	000 ⇔ 255	0–100%
–	67	Green 17	000 ⇔ 255	0–100%
–	68	Blue 17	000 ⇔ 255	0–100%
–	69	White 17	000 ⇔ 255	0–100%
–	70	Red 18	000 ⇔ 255	0–100%
–	71	Green 18	000 ⇔ 255	0–100%
–	72	Blue 18	000 ⇔ 255	0–100%
–	73	White 18	000 ⇔ 255	0–100%
–	74	Red 19	000 ⇔ 255	0–100%
–	75	Green 19	000 ⇔ 255	0–100%
–	76	Blue 19	000 ⇔ 255	0–100%
–	77	White 19	000 ⇔ 255	0–100%
–	78	Red 20	000 ⇔ 255	0–100%
–	79	Green 20	000 ⇔ 255	0–100%
–	80	Blue 20	000 ⇔ 255	0–100%
–	81	White 20	000 ⇔ 255	0–100%
–	82	Red 21	000 ⇔ 255	0–100%
–	83	Green 21	000 ⇔ 255	0–100%
–	84	Blue 21	000 ⇔ 255	0–100%
–	85	White 21	000 ⇔ 255	0–100%
–	86	Red 22	000 ⇔ 255	0–100%
–	87	Green 22	000 ⇔ 255	0–100%
–	88	Blue 22	000 ⇔ 255	0–100%
–	89	White 22	000 ⇔ 255	0–100%
–	90	Red 23	000 ⇔ 255	0–100%
–	91	Green 23	000 ⇔ 255	0–100%
–	92	Blue 23	000 ⇔ 255	0–100%
–	93	White 23	000 ⇔ 255	0–100%

66CH	94CH	Function	Value	Percent/Setting
66	94	Strobe	000 ⇔ 010	No function
			011 ⇔ 255	Strobe, slow to fast

Color Chart

DMX Value	Function	DMX Value	Function
000 ⇔ 013	Red	126 ⇔ 139	Green + White
014 ⇔ 027	Green	140 ⇔ 153	Blue + White
028 ⇔ 041	Blue	154 ⇔ 167	Red + Green + White
042 ⇔ 055	White	168 ⇔ 181	Red + Blue + White
056 ⇔ 069	Green + Blue	182 ⇔ 195	Green + Blue + White
070 ⇔ 083	Red + Blue	196 ⇔ 209	Red + Green + Blue + White
084 ⇔ 097	Red + Green	210 ⇔ 223	2800K
098 ⇔ 111	Red + Green + Blue	224 ⇔ 237	7000K
112 ⇔ 125	Red + White	238 ⇔ 255	Auto

Color Temperature Chart

DMX Value	Function	DMX Value	Function
000 ⇔ 005	No function	101 ⇔ 125	4500K
006 ⇔ 015	2200K	126 ⇔ 150	5000K
016 ⇔ 025	2400K	151 ⇔ 175	5600K
026 ⇔ 035	2600K	176 ⇔ 200	6000K
036 ⇔ 042	2800K	201 ⇔ 210	6500K
043 ⇔ 050	3000K	211 ⇔ 220	7000K
051 ⇔ 060	3200K	221 ⇔ 235	7500K
061 ⇔ 075	3500K	235 ⇔ 255	8000K
076 ⇔ 100	4000K		

Program Chart

DMX Value	Function	DMX Value	Function
000 ⇔ 010	No function	107 ⇔ 114	Auto program 13
011 ⇔ 018	Auto program 1	115 ⇔ 122	Auto program 14
019 ⇔ 026	Auto program 2	123 ⇔ 130	Auto program 15
027 ⇔ 034	Auto program 3	131 ⇔ 138	Auto program 16
035 ⇔ 042	Auto program 4	139 ⇔ 146	Auto program 17
043 ⇔ 050	Auto program 5	147 ⇔ 154	Auto program 18
051 ⇔ 058	Auto program 6	155 ⇔ 162	Auto program 19
059 ⇔ 066	Auto program 7	163 ⇔ 170	Auto program 20
067 ⇔ 074	Auto program 8	171 ⇔ 178	Auto program 21
075 ⇔ 082	Auto program 9	179 ⇔ 186	Auto program 22
083 ⇔ 090	Auto program 10	187 ⇔ 194	Auto program 23
091 ⇔ 098	Auto program 11	195 ⇔ 202	Auto program 24
099 ⇔ 106	Auto program 12	203 ⇔ 255	Auto program 25

Standalone Configuration

Set the product in one of the standalone modes to operate without a DMX controller.



Never connect a product that is operating in any standalone mode to a DMX string connected to a DMX controller. Products in standalone mode may transmit DMX signals that could interfere with the DMX signals from the controller.

Static Mode

To run the Freedom Flex Stick on Static mode with fixed colors, follow the instructions below.

1. Press **<MENU>** repeatedly until **Static** shows on the display.
2. Press **<ENTER>**.
3. Use **<UP>** or **<DOWN>** to select **Fixed Color**.
4. Press **<ENTER>**.
5. Use **<UP>** or **<DOWN>** to select from **R, G, B, W, RG, RB, RW, GB, GW, BW, RGB, RGW, RBW, GBW, RGBW, 2700K, 3500K, 4000K, 5600K, 6100K, or 7000K**.
6. Press **<ENTER>**.

To run the Freedom Flex Stick on Static mode with custom static colors, follow the instructions below.

1. Press **<MENU>** repeatedly until **Static** shows on the display.
2. Press **<ENTER>**.
3. Use **<UP>** or **<DOWN>** to select **Manual Color Mixer**.
4. Press **<ENTER>**.
5. Use **<UP>** or **<DOWN>** to select from **Red, Green, Blue, or White**.
6. Press **<ENTER>**.
7. Use **<UP>** or **<DOWN>** to select a value from **0–255**.
8. Press **<ENTER>**.

Auto Show

To run an auto program on the Freedom Flex Stick, follow the instructions below:

1. Press **<MENU>** repeatedly until **Auto Show** shows on the display.
2. Press **<ENTER>**.
3. Use **<UP>** or **<DOWN>** to select **Program**.
4. Press **<ENTER>**.
5. Use **<UP>** or **<DOWN>** to select an auto program, from **01–25**.
6. Press **<ENTER>**.

To set the auto program speed on the Freedom Flex Stick, follow the instructions below:

1. Press **<MENU>** repeatedly until **Auto Show** shows on the display.
2. Press **<ENTER>**.
3. Use **<UP>** or **<DOWN>** to select **Speed**.
4. Press **<ENTER>**.
5. Use **<UP>** or **<DOWN>** to select an auto program speed, from **001–100**.
6. Press **<ENTER>**.

Sound-Active Mode

To run the Freedom Flex Stick with a sound-active program, follow the instructions below.

1. Press **<MENU>** repeatedly until **Sound Show** shows on the display.
2. Press **<ENTER>**.
3. To select how the product will respond when sound is detected, press **<MENU>** repeatedly until **Program** shows on the display.
4. Press **<ENTER>**.
5. Use **<UP>** or **<DOWN>** to select an auto program, from **01–25**.
6. Press **<ENTER>**.



While set to master and slave in sound-active mode, ONLY the background color will sync across several Freedom Flex Sticks.

To adjust the sensitivity of the Freedom Flex Stick sound-active program, follow the instructions below.

1. Press **<MENU>** repeatedly until **Sound Show** shows on the display.
2. Press **<ENTER>**.
3. Press **<MENU>** repeatedly until **Sensitivity** shows on the display.
4. Press **<ENTER>**.
5. Use **<UP>** or **<DOWN>** to select an auto program, from **001–100**.
6. Press **<ENTER>**.

To select a background playback style for the sound-active program, follow the instructions below.

1. Press **<MENU>** repeatedly until **Sound Show** shows on the display.
2. Press **<ENTER>**.
3. Press **<UP>** or **<DOWN>** repeatedly until **P-Style** shows on the display.
4. Press **<ENTER>**.
5. Use **<UP>** or **<DOWN>** to select a background playback style, from **Single** (displays one background color), **Looping** (cycles through all colors), or **Random** (Displays colors randomly).
6. Press **<ENTER>**.

To select a color/temperature background for the sound-active program, follow the instructions below.

1. Press **<MENU>** repeatedly until **Sound Show** shows on the display.
2. Press **<ENTER>**.
3. Press **<MENU>** repeatedly until **P-Color** shows on the display.
4. Press **<ENTER>**.
5. Use **<UP>** or **<DOWN>** to select a color or temperature, from **R, G, B, W, RG, RB, RW, GB, GW, BW, RGB, RGW, RBW, GBW, RGBW, 2700K, 3500K, 4000K, 5600K, 6100K, or 7000K**.
6. Press **<ENTER>**.

Runway

To run the Freedom Flex Stick on runway mode, follow the instructions below.

1. Press **<MENU>** repeatedly until **Runway** shows on the display.
2. Press **<ENTER>**.
3. Use **<UP>** or **<DOWN>** to select a Runway mode from **OFF** (disables runway mode), **Master** (sets fixture to master), or **Slave** (sets fixture to slave).
4. Press **<ENTER>**.

DMX Loss

To adjust the way the Freedom Flex Stick responds when DMX signal is lost, do the following:

1. Press **<MENU>** repeatedly until **DMX Loss** shows on the display.
2. Press **<ENTER>**.
3. Use **<UP>** or **<DOWN>** to select **HOLD** (holds most recent setting), **BLACK** (blacks out unit), **SOUND** (triggers sound mode), or **AUTO** (triggers auto mode).
4. Press **<ENTER>**.



The product will only respond to low frequencies of music (bass and drums).

Operation

Back Light

To set a time after which the back light turns off, do the following:

1. Press **<MENU>** repeatedly until **Back Light** shows on the display.
2. Press **<ENTER>**.
3. Use **<UP>** or **<DOWN>** to select **10S** (disable back after 10 seconds of inactivity), **30S** (disable back after 30 seconds of inactivity), **2Min** (disable back after 2 minutes of inactivity), or **Always On** (back light will remain on).
4. Press **<ENTER>**.

Information

To display the fixture's software version, do the following:

1. Press **<MENU>** repeatedly until **Information** shows on the display.
2. Press **<ENTER>**.

Factory Reset

To reset the product, do the following:

1. Press **<MENU>** repeatedly until **Factory Reset** shows on the display.
2. Press **<ENTER>**.
3. Use **<UP>** or **<DOWN>** to select **NO** (to maintain current settings) or **YES** (begin factory reset).
4. Press **<ENTER>**.

Master/Slave Mode

The Master/Slave mode allows a single Freedom Flex Stick X4 and Freedom Flex Stick Battery product (the “master”) to control the actions of one or more Freedom Flex Stick X4 and Freedom Flex Stick Battery products (the “slaves”) without the need of a DMX controller. The master product will be set to operate in standalone mode or with the RF control, while the slave products will be set to operate in slave mode. Once set and connected, the slave products will operate in unison with the master product.

Configure the products as indicated below.

Slave products:

1. Press **<MENU>**.
2. Use **<UP>** or **<DOWN>** to select **Run Mode**.
3. Press **<ENTER>**.
4. Use **<UP>** or **<DOWN>** to select **Slave**.
5. Press **<ENTER>**.
6. Use **<UP>** or **<DOWN>** to select from **Slave1**, **Slave2**, **Slave3**, or **Slave4**.
 - Select **Slave1** for 100% synchronized actions.
 - Select **Slave2**, **Slave3**, and/or **Slave4** for delayed actions, creating a wave effect.
7. Press **<ENTER>**.
8. Connect the DMX input of the first slave product to the DMX output of the master product.
9. Connect the DMX input of the subsequent slave products to the DMX output of the previous slave product.
10. Finish setting and connecting all the slave products.

Master product:

1. Set the master product to operate in standalone mode or with RF control.
2. Make the master product the first product in the DMX daisy chain.



- **Configure all the slave products before connecting the master to the daisy chain.**
- **Never connect a DMX controller to a DMX string configured for Master/Slave operation because the controller may interfere with the signals from the master.**
- **Do not connect more than 31 slaves to the master.**

Slave products:

1. Press **<MENU>** repeatedly until **DFI** shows on the display. Press **<ENTER>**.
2. Use **<UP>** or **<DOWN>** to select **DFI Mode**. Press **<ENTER>**.
3. Use **<UP>** or **<DOWN>** to select **RX**. Press **<ENTER>**.
4. Press **<MENU>** repeatedly until **Slave Setting** shows on the display. Press **<ENTER>**.
5. Use **<UP>** or **<DOWN>** to select the slave unit(s), from **Slave1–4**. Press **<ENTER>**.
6. Set the DMX address to **001**.
7. Set the D-Fi to receive a specific channel, **01–16**.
8. Finish setting and connecting all the slave products.

Master product:

1. Set the master product to operate in standalone mode.
2. Set the D-Fi to transmit on the D-Fi channel the slaves are receiving on.



- **For more information on how to activate the built-in D-Fi of the Freedom Flex Stick X4 and Freedom Flex Stick Battery, see [D-Fi Setting](#).**
- **All products must be set to the same DMX personality, DMX address, and D-Fi channel.**
- **Configure all the slave products before configuring the master to transmit.**
- **Never connect a DMX controller to a D-Fi channel configured for Master/Slave operation because the controller may interfere with the signals from the master.**

RFC Remote Control

The Freedom Flex Stick can be operated with an RFC remote (comes with Freedom Flex Stick X4 and Freedom Flex Stick BatteryX4) or an RFC-XL remote (sold separately). To select the mode of RF control, follow the instructions below:

1. Press **<MENU>** repeatedly until **RF** shows on the display.
2. Press **<ENTER>**.
3. Use **<UP>** or **<DOWN>** to select **RF Mode**.
4. Press **<ENTER>**.
5. Use **<UP>** or **<DOWN>** to select **PUBLIC** (enables fixture to respond to all RF signals), **BIND** (links fixture to a single RF remote), or **OFF** (deactivates RF linking).
6. Press **<ENTER>**.

To observe the fixtures RF binding status, follow the instructions below:

1. Press **<MENU>** repeatedly until **RF** shows on the display.
2. Press **<ENTER>**.
3. Use **<UP>** or **<DOWN>** to select **RF Binding**.
4. Press **<ENTER>**.

To assign a group of fixtures to a remote, follow the instructions below:

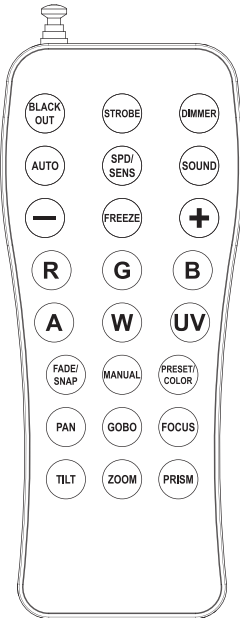
1. Press **<MENU>** repeatedly until **RF** shows on the display.
2. Press **<ENTER>**.
3. Use **<UP>** or **<DOWN>** to select **RF Group** (sets which group of fixture the RFC/RFC-XL remote will control).
4. Press **<ENTER>**.
5. Use **<UP>** or **<DOWN>** to select a group, from **1–4**.
6. Press **<ENTER>**.



For more information about using an RFC or RFC-XL remote, download the Instructions and User Manual from www.chauvetdj.com.

RFC Remote Control Operation

RFC	Button	Function
	<BLACK OUT>	Press to turn off all lights until the button is pressed again
	<STROBE>	Press to toggle strobe, then use <+> or <-> to increase or decrease strobe speed
	<DIMMER>	Press then use <+> or <-> to increase or decrease the dimmer
	<AUTO>	Press to activate automatic mode, then use <+> or <-> to select a program
	<SPD/SENS>	Press then use <+> or <-> to increase or decrease speed or sensitivity
	<SOUND>	Press to activate sound-active mode, then use <+> or <-> to select a program
	<->	Press to decrease speed, sensitivity, or the dimmer/color value, or to scroll down the list of programs
	<+>	Press to increase speed, sensitivity, or the dimmer/color value, or to scroll up the list of programs
	<FREEZE>	Press to stop all movement and color chasing
	<R>	In manual mode, press then use <+> or <-> to increase or decrease the red value
	<G>	In manual mode, press then use <+> or <-> to increase or decrease the green value
		In manual mode, press then use <+> or <-> to increase or decrease the blue value
	<A>	In manual mode, press then use <+> or <-> to increase or decrease the amber value
	<W>	In manual mode, press then use <+> or <-> to increase or decrease the UV value
	<UV>	In manual mode, press then use <+> or <-> to increase or decrease the white value
	<FADE/SNAP>	Press to toggle between auto programs
	<MANUAL>	Press to activate manual mode
	<PRESET/COLOR>	Press to activate presets/colors, then use <+> or <-> to select a preset/color



The RFC remote will not respond to any inputs when Freeze or Black Out is activated. If the remote does not respond when a button is pressed, try pressing <FREEZE> or <BLACK OUT>. Freeze or Black Out may have been inadvertently activated.

5. Maintenance

Product Maintenance

Dust build-up reduces light output performance and can cause overheating. This can lead to reduction of the light source's life and/or mechanical wear. To maintain optimum performance and minimize wear, clean all lighting products at least twice a month. However, be aware that usage and environmental conditions could be contributing factors to increase the cleaning frequency.

To clean the product, follow the instructions below:

1. Unplug the product from power.
2. Wait until the product is at room temperature.
3. Use a vacuum (or dry compressed air) and a soft brush to remove dust collected on the external surface/vents.
4. Clean all transparent surfaces with a mild soap solution, ammonia-free glass cleaner, or isopropyl alcohol.
5. Apply the solution directly to a soft, lint free cotton cloth or a lens cleaning tissue.
6. Softly drag any dirt or grime to the outside of the transparent surface.
7. Gently polish the transparent surfaces until they are free of haze and lint.



Always dry the transparent surfaces carefully after cleaning them.



Do not spin the cooling fans using compressed air because they could be damaged.

6. Technical Specifications

Dimensions and Weight

Product	Length	Width	Height	Weight
Freedom Flex Stick x4	1.8 in (46 mm)	1.4 in (35 mm)	60 in (1520 mm)	Stick- 2 lb (0.9 kg) Base-1.4lb (0.6 kg)
Freedom Flex Stick Battery	7.7 in (197 mm)	1.9 in (47 mm)	1.9 in (47 mm)	1.2 lb (0.5 kg)
Freedom Flex Stick X 4 Case	63.3 (1608)	6.6 (168)	16.4 (418)	40.8 lb (18.5 kg)

Note: Dimensions in inches are rounded.

Power

Power Supply Type	Range	Voltage Selection	
Switching (internal)	100 to 240 VAC, 50/60 Hz	Auto-ranging	
Parameter	120 V, 60 Hz	230 V, 50 Hz	
Consumption	27 W	27 W	
Operating Current	0.3 A	0.2 A	
Power I/O	U.S./Worldwide	UK/Europe	
Power input connector	IEC	IEC	
Power output connector	Edison	IEC	
Power cable plug	Edison (U.S.)	Local Plug	
Power Supply Type	Range	Voltage Selection	DC Input
Switching (external multi-charger)	100 to 240 VAC, 50/60 Hz	Auto-ranging	12 V

Battery Power

Capacity	Voltage	Watt Hours	Lithium Content
5200 mAh	11.1 VDC	57.72 Wh	9.36 g

Light Source

Type	Color	Quantity	Power	Lifespan
LED	Quad (RGB + WW)	92	0.1 W	50,000 hours

Photometrics

PWM Frequency	Strobe Rate
1200 Hz	0 to 20 Hz

Thermal

Maximum External Temperature	Cooling System
104 °F (40 °C)	Convection

DMX

I/O Connector	Channel Range
USB-C to XLR adaptor	4, 15, 18, 34, 66, and 94Ch

Ordering

Product Name	Item Code	UPC Number
Freedom Flex Stick X4	10052336	7814622226848
Freedom Flex Stick Battery	10112338	7814622226862

RoHS



Contact Us

General Information	Technical Support
Chauvet World Headquarters	
Address: 3360 Davie Rd., Suite 509 Davie, FL 33314 Voice: (954) 577-4455 Fax: (954) 929-5560 Toll Free: (800) 762-1084	Voice: (844) 393-7575 Fax: (954) 756-8015 Email: chauvetcs@chauvetlighting.com Website: www.chauvetdj.com
Chauvet U.K.	
Address: Pod 1 EVO Park Little Oak Drive, Sherwood Park Nottinghamshire, NG15 0EB UK Voice: +44 (0) 1773 511115 Fax: +44 (0) 1773 511110	Email: UKtech@chauvetlighting.eu Website: www.chauvetdj.eu
Chauvet Benelux	
Address: Vaartlaan 9 9800 Deinze Belgium Voice: +32 9 388 93 97	Email: BNLtech@chauvetlighting.eu Website: www.chauvetdj.eu
Chauvet France	
Address: 3, Rue Ampère 91380 Chilly-Mazarin France Voice: +33 1 78 85 33 59	Email: FRtech@chauvetlighting.fr Website: www.chauvetdj.eu
Chauvet Germany	
Address: Bruno-Bürgel-Str. 11 28759 Bremen Germany Voice: +49 421 62 60 20	Email: DEtech@chauvetlighting.de Website: www.chauvetdj.eu
Chauvet Mexico	
Address: Av. de las Partidas 34 - 3B (Entrance by Calle 2) Zona Industrial Lerma Lerma, Edo. de México, CP 52000 Voice: +52 (728) 690-2010	Email: servicio@chauvet.com.mx Website: www.chauvetdj.mx

Warranty & Returns

For warranty terms and conditions and return information, please visit our website.

For customers in the United States and Mexico: www.chauvetlighting.com/warranty-registration.

For customers in the United Kingdom, Republic of Ireland, Belgium, the Netherlands, Luxembourg, France, and Germany: www.chauvetlighting.eu/warranty-registration.