

# INTIMIDATOR HYBRID 251SR

User Manual



## Edition Notes

The Intimidator Hybrid 251SR User Manual includes a description, safety precautions, installation, programming, operation, and maintenance instructions for the Intimidator Hybrid 251SR as of the release date of this edition.

### Trademarks

Chauvet, Chauvet DJ, the Chauvet logo, and Intimidator are registered trademarks or trademarks of Chauvet & Sons, LLC (d/b/a Chauvet and Chauvet Lighting) in the United States and other countries. Other company and product names and logos referred to herein may be trademarks of their respective companies.

### Copyright Notice

The works of authorship contained in this manual, including, but not limited to, all designs, text, and images are owned by Chauvet.

© Copyright 2024 Chauvet & Sons, LLC. All rights reserved.

Electronically published by Chauvet in the United States of America.

### Manual Use

Chauvet authorizes its customers to download and print this manual for professional information purposes only. Chauvet expressly prohibits the usage, copy, storage, distribution, modification, or printing of this manual or its content for any other purpose without written consent from Chauvet.

### Document Printing

For best results, print this document in color, on letter size paper (8.5 x 11 in), double-sided. If using A4 paper (210 x 297 mm), configure the printer to scale the content accordingly.

### Intended Audience

Any person installing, operating, and/or maintaining this product should completely read through the guide that shipped with the product, as well as this manual, before installing, operating, or maintaining this product.

### Disclaimer

Chauvet believes that the information contained in this manual is accurate in all respects. However, Chauvet assumes no responsibility and specifically disclaims any and all liability to any party for any loss, damage, or disruption caused by any errors or omissions in this document, whether such errors or omissions result from negligence, accident, or any other cause. Chauvet reserves the right to revise the content of this document without any obligation to notify any person or company of such revision; however, Chauvet has no obligation to make, and does not commit to make, any such revisions.

### Document Revision

Go to [www.chauvetdj.com](http://www.chauvetdj.com) for the latest version.

Revision	Date	Description
1	09/2024	Initial release.

## TABLE OF CONTENTS

<b>1. Before You Begin .....</b>	<b>1</b>
What Is Included .....	1
Unpacking Instructions.....	1
Claims .....	1
Text Conventions .....	1
Symbols .....	1
Safety Notes.....	2
<b>2. Introduction.....</b>	<b>3</b>
Product Overview.....	3
Product Dimensions .....	4
<b>3. Setup.....</b>	<b>5</b>
AC Power .....	5
Fuse Replacement .....	5
Power Linking.....	5
Mounting .....	6
Orientation.....	6
Rigging .....	6
Lamp Replacement.....	7
Lamp Adjustment .....	8
Maintaining Lamp Lifespan .....	8
Gobo Wheels .....	9
Rotating Gobo Dimensions .....	9
Gobo Replacement .....	10
Procedure .....	10
Gobo Replacement Diagrams .....	10
<b>4. Operation.....</b>	<b>11</b>
Control Panel Operation.....	11
Menu Map .....	11
DMX Configuration.....	13
Starting Address.....	13
DMX Personalities.....	13
DMX Channel Assignments and Values .....	14
DMX Charts.....	14
Standalone Configuration.....	18
Auto Mode.....	18
Sound-Active Mode .....	18
Sound Sensitivity .....	18
Manual Mode .....	19
Program Manual Mode Step.....	19
Clear Manual Mode Step.....	19
Delete Manual Mode Step .....	19
Manual Mode Crossfade .....	19
Manual Mode Hold Time .....	19
Settings Configuration.....	20
Pan Reverse .....	20
Tilt Reverse .....	20
Screen Reverse .....	20
Pan Angle.....	20
Tilt Angle .....	20
Totem Mode .....	21

Lamp Settings .....	21
Manual Lamp Control .....	21
Lamp State at Power On .....	21
Lamp Control Via DMX .....	21
On if DMX is On.....	22
Off if DMX is Off.....	22
Ignition Delay at Power On.....	22
Low Power Delay with Shutter Closed.....	22
Reset Lamp Timer .....	23
Maintenance Timer .....	23
Maintenance Timer Interval .....	23
Reset Maintenance Timer .....	23
DMX Loss.....	23
Indicator .....	23
Flash if DMX.....	24
USB Update .....	24
Reset.....	24
Factory Reset.....	24
System Information .....	24
Master/Slave Mode .....	25
RFC-XL Remote Control .....	25
RFC-XL Remote Binding.....	25
RFC-XL Control Options .....	25
RFC-XL Remote Control Operation .....	26
Zero Adjust Mode.....	27
<b>5. Maintenance .....</b>	<b>28</b>
Product Maintenance .....	28
Gobo Maintenance.....	28
<b>6. Technical Specifications.....</b>	<b>29</b>
<b>Contact Us.....</b>	<b>30</b>
Warranty & Returns.....	30

# 1. Before You Begin

## What Is Included

- Intimidator Hybrid 251SR
- Power cable
- Hanging bracket
- Quick Reference Guide

## Unpacking Instructions

Carefully unpack the product immediately and check the container to make sure all the parts are in the package and are in good condition.

## Claims






If the box or the contents (the product and included accessories) appear damaged from shipping, or show signs of mishandling, notify the carrier immediately, not Chauvet. Failure to report damage to the carrier immediately may invalidate a claim. In addition, keep the box and contents for inspection.

For other issues, such as missing components or parts, damage not related to shipping, or concealed damage, file a claim with Chauvet within 7 days of delivery.

## Text Conventions

Convention	Meaning
<b>1–512</b>	A range of values
<b>50/60</b>	A set of values of which only one can be chosen
<b>Settings</b>	A menu option not to be modified
<b>&lt;ENTER&gt;</b>	A key to be pressed on the product’s control panel
<b>ON</b>	A value to be entered or selected

## Symbols

Symbol	Meaning
	Electrical warning. Not following these instructions may cause electrical damage to the product, accessories, or the user.
	Critical installation, configuration, or operation information. Not following these instructions may make the product not work, cause damage to the product, or cause harm to the operator.
	Important installation or configuration information. The product may not function correctly if this information is not used.
	Pinch point warning.
	Useful information.

## Safety Notes

These Safety Notes include important information about installation, use, and maintenance of the Intimidator Hybrid 251SR.



- **ALWAYS:**

- ◆ Connect to a grounded circuit.
- ◆ Connect to operating voltages as specified on the product's spec sticker.
- ◆ Disconnect from power before replacing the fuse.
- ◆ Disconnect from its power source during periods of inactivity.
- ◆ Use a safety cable when suspending overhead.
- ◆ Heed all restrictions and warnings on the spec sticker.
- ◆ Mount in a location with at least 20 in (50 cm) of ventilation.
- ◆ Replace the fuse with the same type and rating.
- ◆ Use a clamp with a captive bolt when a single hanging bracket is used.

- In the event of a serious operating problem, stop using immediately.

- **DO NOT:**

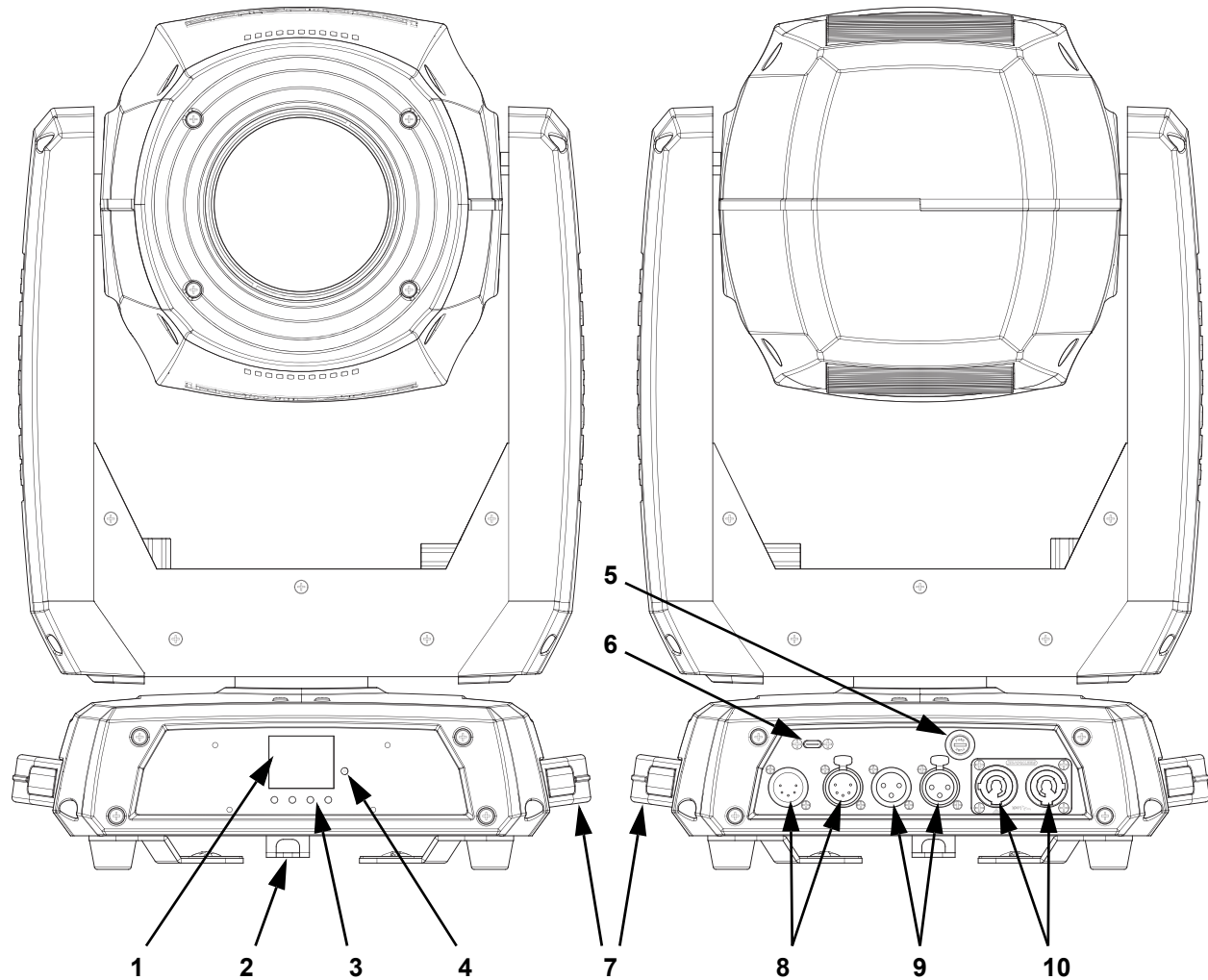
- ◆ Open this product or attempt any repairs. It contains no user-serviceable parts.
- ◆ Look at the light source when the product is on.
- ◆ Use if the power cable is crimped or damaged.
- ◆ Disconnect by pulling on the power cable.
- ◆ Allow flammable materials close to the product when it is operating.
- ◆ Touch the housing when it is on.
- ◆ Block any ventilation holes/slots in the housing.
- ◆ Connect to a dimmer or rheostat.
- ◆ Carry the product by its power cable.
- ◆ Operate in temperatures higher than 104°F (40°C).
- ◆ Expose to environments that exceed the Ingress Protection (IP) rating.
- ◆ Expose to rain or moisture.
- ◆ Use outdoors.
- ◆ Submerge.



**Keep this User Manual for future use. If the product is sold to someone else, be sure that they also receive this document.**

## 2. Introduction

### Product Overview

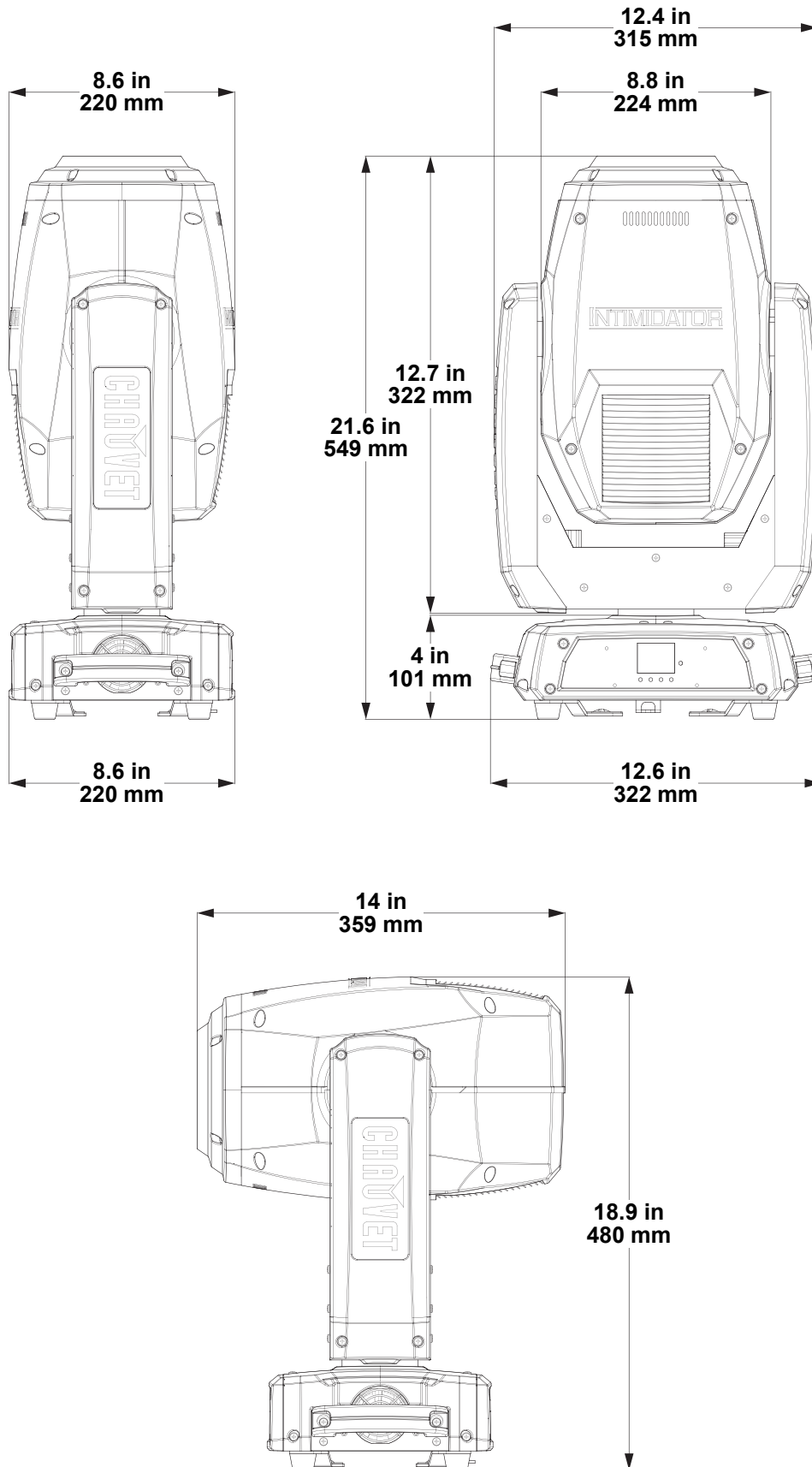


#	Name	#	Name
1	LCD display	6	USB type C port
2	Safety loop	7	Carry handles
3	Menu buttons	8	5-pin DMX in/out
4	LED indicator	9	3-pin DMX in/out
5	Fuse holder	10	Power out/in



**WARNING!** The USB type C port is **ONLY** for software updates. Using it for any other purpose may cause damage to the product.

### Product Dimensions





## 3. Setup

### AC Power

The Intimidator Hybrid 251SR has an auto-ranging power supply and it can work with an input voltage range of 100 to 240 VAC, 50/60 Hz.

To determine the product's power requirements (circuit breaker, power outlet, and wiring), use the current value listed on the label affixed to the product's back panel, or refer to the product's specifications chart. The listed current rating indicates the product's average current draw under normal conditions.



- **Always connect the product to a protected circuit (a circuit breaker or fuse). Make sure the product has an appropriate electrical ground to avoid the risk of electrocution or fire.**
- **To eliminate unnecessary wear and improve its lifespan, during periods of non-use completely disconnect the product from power via breaker or by unplugging it.**



**Never connect the product to a rheostat (variable resistor) or dimmer circuit, even if the rheostat or dimmer channel serves only as a 0 to 100% switch.**

### Fuse Replacement

1. Disconnect the product from power.
2. Using a flat-head screwdriver, unscrew the fuse holder and pull it straight out.
3. Remove the blown fuse from the holder and replace with a fuse of the exact same type and rating.
4. Re-insert the fuse holder and reconnect power.



**Disconnect the product from the power outlet before replacing the fuse.**

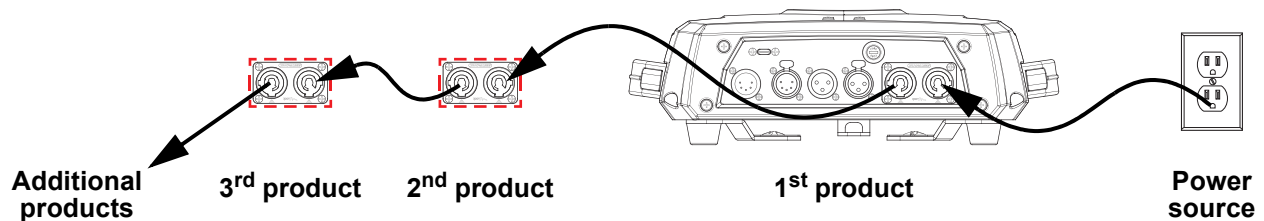


**Always replace a blown fuse with one of the same type and rating.**

### Power Linking

This product provides power linking via the outlet located in the back of the product. See the diagram below for further explanation.

#### Power Linking Diagram



**It is possible to link up to 3 Intimidator Hybrid 251SR products on 120 VAC or up to 5 products on 230 VAC.**



**The power linking diagram shown above corresponds to the North American version of the product ONLY! If using the product in other markets, consult with the local Chauvet distributor as power linking connectors and requirements may differ by country or region.**

## Mounting

Before mounting the product, read and follow the safety recommendations indicated in the [Safety Notes](#).

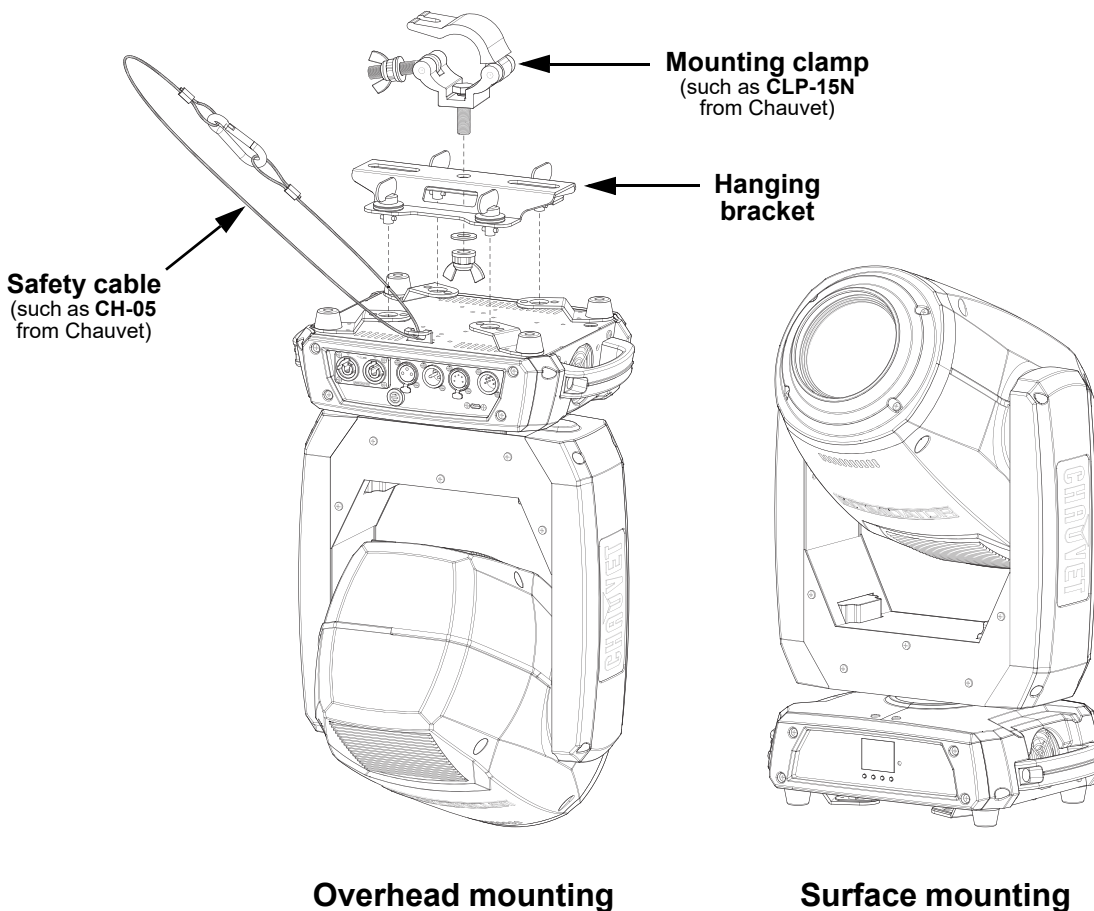
### Orientation

The Intimidator Hybrid 251SR may be mounted in any position; however, make sure adequate ventilation is provided around the product.

### Rigging

- Before deciding on a location for the product, always make sure there is easy access to the product for maintenance and programming.
- Make sure that the structure and attachment points can support the weight before hanging the product (see the [Technical Specifications](#) section for weight information).
- When mounting the product overhead, always use a safety cable. Mount the product securely to a rigging point, such as an elevated platform or a truss.
- When rigging the product onto a truss, use a mounting clamp of appropriate weight capacity. The bracket has a 13-mm hole, which is appropriate for this purpose.
- The bracket adjustment knobs allow for directional adjustment when aiming the product to the desired angle. Only loosen or tighten the bracket knobs manually. Using tools could damage the knobs.
- When power linking multiple products, mount the products close enough for power linking cables to reach.
- When mounting the product on the floor, make sure that the product and cables are away from people and vehicles.

### Mounting Diagram



To prevent accidental loosening when using a single mounting clamp, be sure to use a clamp with a captive bolt.

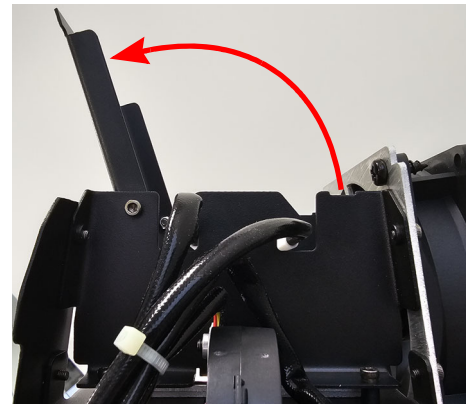
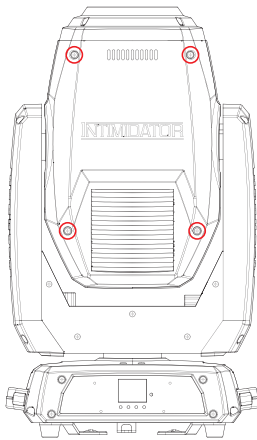
## Lamp Replacement

The Intimidator Hybrid 251SR is equipped with a 251 W Osram HRI® discharge lamp. Follow the procedure below to safely replace the lamp.

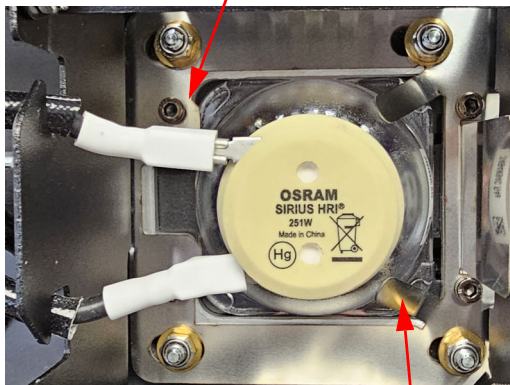


- **Disconnect the product from AC power before opening.**
- **DO NOT power the product on without a lamp installed.**
- **DO NOT touch the lamp without wearing gloves. Leaving grease on the bulb or contacts could reduce the lamp's life.**

1. Remove the product from power and allow several minutes for the lamp to cool.
2. Remove both head covers by loosening 4 screws on each side with a Phillips-head screwdriver.
3. Lift the cover of the lamp enclosure to gain access.
4. Tilt the lamp against the metal tension plates to free its rim from the slot on the other side.
5. Gently remove the lamp and uninstall the power cables from the contact leads.
6. Install the power cables to the contact leads of the new lamp.
7. Push the new lamp against the metal tension plates so that its rim can slide under the slot on the other side. Ensure the lamp is centered in the assembly.
8. Close the cover of the lamp enclosure and reinstall both head covers.

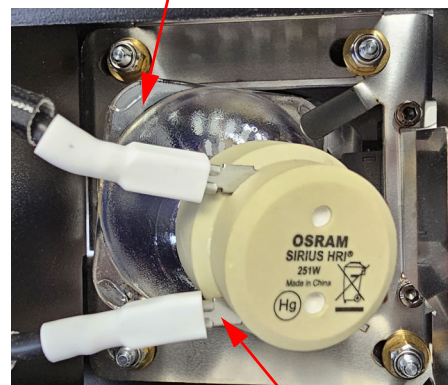


Slot



Tension plate (x2)

Lamp rim

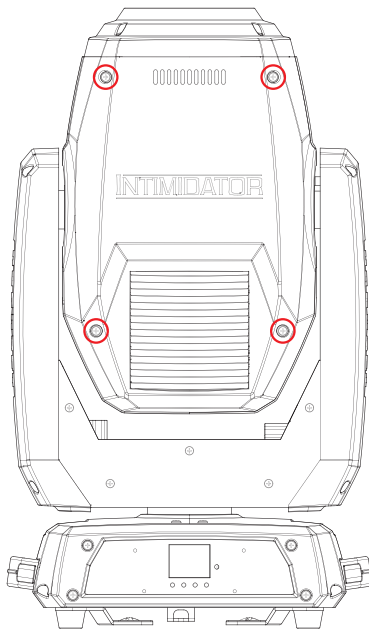


Lamp contact lead (x2)

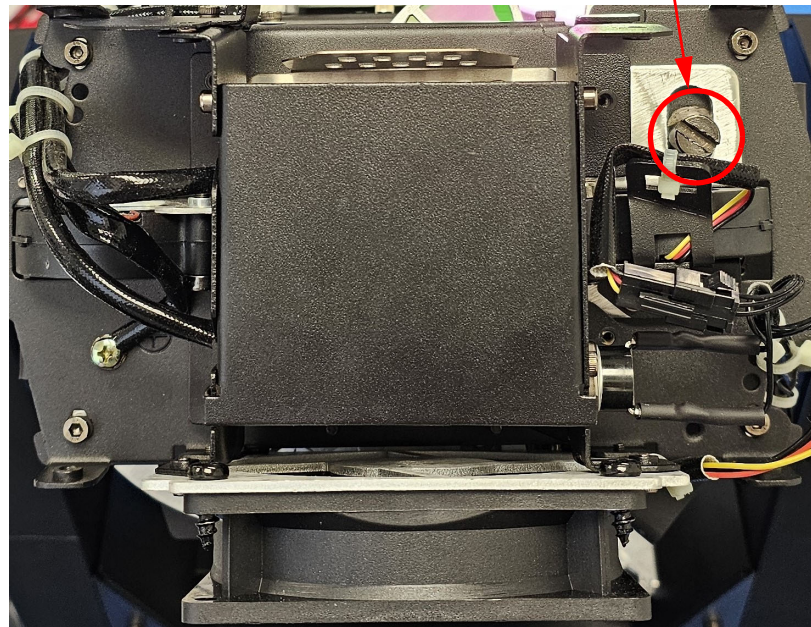
### Lamp Adjustment

To ensure the lamp is positioned correctly, it is necessary to adjust it after installation with the lamp adjustment knob. To access the lamp adjustment knob:

1. Ensure the product is stationary.
2. Remove both head covers by loosening 4 screws on each side with a Phillips-head screwdriver.
3. Adjust the position of the lamp by turning the lamp adjustment knob clockwise or counter-clockwise with a flat-head screwdriver.



Lamp adjustment knob



**DO NOT** touch the lamp, any electrical contact, or wire while the product is powered. Practice safety precautions at all times while working on powered electronics.



Ensure the moving head is stationary before performing this procedure.

### Maintaining Lamp Lifespan

Observe the following to preserve the quality and lifespan of the Intimidator Hybrid 251SR lamp:

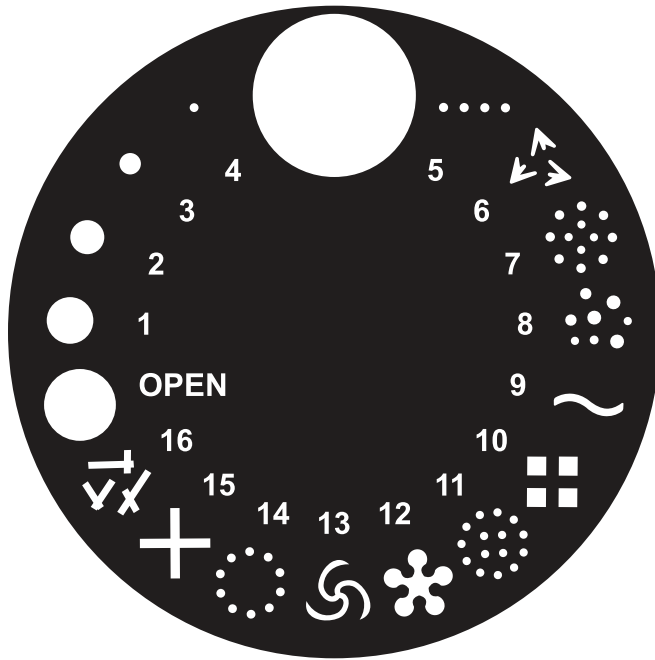


**ALWAYS** turn the lamp off by using the DMX controller or the product's control panel, then wait at least 5 minutes before switching off the product. This will keep the fans running to extract any remaining heat from the product's head.

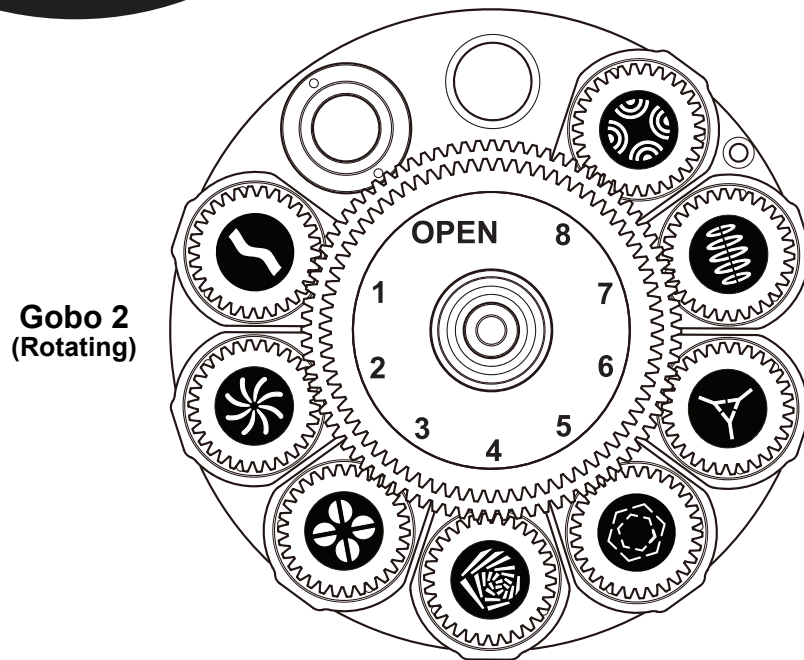


- **DO NOT** power cycle the product unless it is necessary.
- **DO NOT** touch the lamp without wearing gloves. Leaving grease on the bulb or contacts could reduce the lamp's life.
- **ALWAYS** change the lamp when it has reached its recommended lifespan to avoid the risk of lamp explosion.

### Gobo Wheels

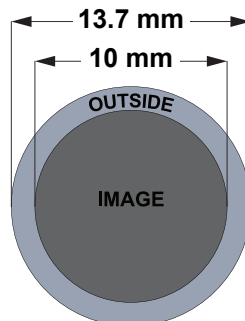


Gobo 1  
(Static)



Gobo 2  
(Rotating)

### Rotating Gobo Dimensions



### Gobo Replacement

The gobos in the Intimidator Hybrid 251SR are removable from their gobo holders.



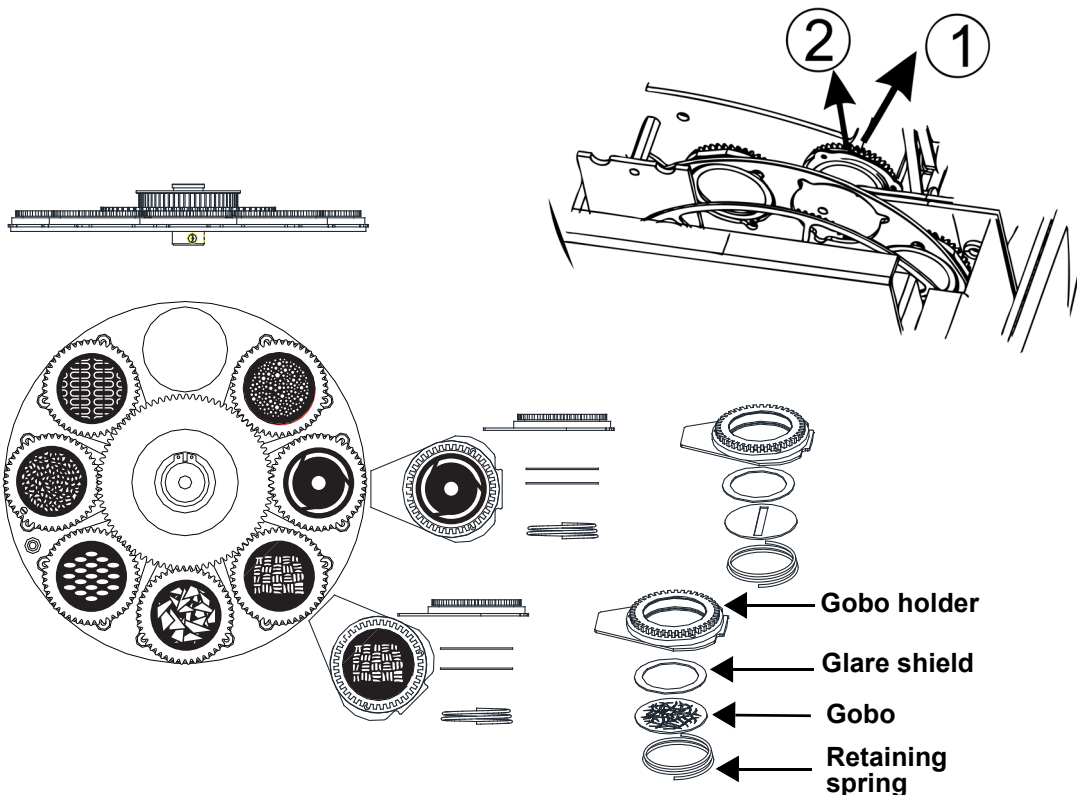
- **Make sure to disconnect the product's power cable before replacing a gobo.**
- **Always replace a gobo with a gobo of the same dimensions.**
- **When inserting a glass gobo, always make sure that the shiny side of the gobo (glass base) faces the lamp. This provides a layer of protection against the high temperature from the lamp.**
- **All custom gobos in the Intimidator Hybrid 251SR gobo wheel must be aluminum or glass.**

### Procedure

Follow the recommended procedure below to remove or replace the gobos:

1. Turn the product off and disconnect it from the power outlet.
2. Open the head cover by loosening the 4 Phillips-head ¼-turn screws on the sides of the top cover.
3. Separate the gobo holder away from the gobo wheel by pushing it toward the front of the moving head (see direction 1 in the diagram). Be careful not to push the gobo out of the gobo holder.
4. Extract the gobo holder by pulling it outward (see direction 2 in the diagram).
5. On a flat surface, remove the expansion ring that holds the gobo in place and remove the gobo from the gobo holder.
6. Insert a new gobo and hold it in place with the expansion ring.
7. Slide the tip of the gobo holder under the pressure plate near the center of the gobo wheel.
8. Push the gobo holder inwards. **DO NOT** force the gobo holder into the gobo wheel slot. If correctly installed, the gobo plate should easily slide itself into the gobo wheel slot.

### Gobo Replacement Diagrams



- Gobo illustrations are for reference purposes only. Gobo designs may differ from those installed in the product.
- See [Gobo Maintenance](#) for instructions on how to clean the gobos and gobo holder.

## 4. Operation

### Control Panel Operation

To access the control panel functions, use the four buttons located underneath the display. Please refer to the [Product Overview](#) to see the button locations on the control panel.

Button	Function
<MENU>	Press to find an operation mode or to back out of the current menu option
<UP>	Press to scroll up the list of options or to find a higher value
<DOWN>	Press to scroll down the list of options or to find a lower value
<ENTER>	Press to activate a menu option or a selected value

### Menu Map

Refer to the Intimidator Hybrid 251SR product page on [www.chauvetdj.com](http://www.chauvetdj.com) for the latest menu map and software.

Main Level	Programming Levels		Description		
Address	001–512		Sets the DMX starting address		
DMX	13CH		Selects DMX mode		
	19CH				
Slave	Slave1–4		Selects Slave mode 1, 2, 3, or 4		
Auto			Selects Auto mode		
Sound			Selects Sound-Active mode		
RF	RF 1–4		Sets the product to work with the RFC-XL remote in group 1, 2, 3, or 4 (RF remote must be bound to the product first)		
	RFP		Sets the product to work with public RF signal		
Run Mode	Crossfade (sec)		0000–1200 Sets the speed of playback in seconds		
	Hold time (sec)		0001–1200 Sets the time between playback in seconds		
	Clear	NO		Resets all manual values of the selected step to 0	
		YES			
	Delete	NO		Removes the selected step from playback	
		YES			
	Manual	Step 1–2	Pan	Manual pan control	
			Tilt	Manual tilt control	
			Color	Manual color control	
			Gobo2	Manual static gobo control	
			Gobo1	Manual rotating gobo control	
			Gobo1 Rotate	Manual gobo rotation control	
			Prism1	000–255	Manual 5-facet prism control
			Prism2		Manual 6-facet prism control
			Focus	Manual focus control	
Zoom			Manual zoom control		
Frost			Manual frost control		
Dimmer			Manual dimmer control		
Shutter			Manual shutter control		

Main Level	Programming Levels		Description	
Setup	Pan Reverse	OFF	Normal pan operation	
		ON	Reverse pan operation	
	Tilt Reverse	OFF	Normal tilt operation	
		ON	Reverse tilt operation	
	Screen Reverse	AUTO	Automatic display orientation	
		NO	Normal display	
		YES	Reverse display	
	Pan Angle	540	Selects the 540° pan angle range	
		360	Selects the 360° pan angle range	
		180	Selects the 180° pan angle range	
	Tilt Angle	270	Selects the 270° tilt angle range	
		180	Selects the 180° tilt angle range	
		90	Selects the 90° tilt angle range	
	Totem Mode	OFF	Does not restrict the pan and tilt motion	
		UP	Restricts the pan and tilt motion for overhead mounting	
		DOWN	Restricts the pan and tilt motion for surface/floor mounting	
	Sensitivity	001–100		Sets sound sensitivity
	Lamp Setting	On/Off	ON	Turns lamp on/off
			OFF	
		State/Power On	OFF	Defines the status of lamp when powering up product
			ON	
		Off Via DMX	NO	Enables lamp control through DMX
			YES	
		On If DMX On	NO	Turns lamp on if DMX signal is detected
			YES	
	Off If DMX Off	NO	Turns lamp off when DMX signal is lost	
		YES		
Ignition Delay	000–255		Defines number of seconds after product powers on before lamp turns on	
Low Power Delay	000–255		Selects duration of delay between shutter closing and lamp entering low power mode	
Reset Lamp Time	NO	Resets lamp timer (for when lamp is replaced)		
	YES			
Special Set	Interval	10–250	Defines number of hours between maintenance	
	Remain Time	NO	Resets maintenance timer	
RESET				
DMX Loss	Hold	Holds the last setting when signal is lost		
	Black	Blacks out the product when signal is lost		
	Auto	Sets to Auto mode when signal is lost		
	Sound	Sets to Sound mode when signal is lost		
Indicator	ON	Enables LED indicator		
	OFF	Disables LED indicator		
Flash if DMX	ON	Flash when there is DMX signal		
	OFF	Flash when there is no DMX signal		



Main Level	Programming Levels		Description
Setup (cont.)	RF	BIND	Shows instructions on how to bind the RF remote to the product
	USB Update	NO	Enables/disables software update through USB-C
		YES	
	Reset		Resets the product
	Factory Set		Loads factory defaults
Sys Info	Ver:	V2.3	Displays the firmware version
	Running Mode:	-----	Displays the current running mode
	DMX Address:	---	Displays the current DMX address
	Lamp On Time:	----	Displays how long the lamp has been running
	Remain Time:	----	Displays time remaining in maintenance cycle
	DFan1 Speed:	----	Displays fan information
	FSP_A Speed:	----	
	FSP_B Speed:	----	

### DMX Configuration

The Intimidator Hybrid 251SR works with a DMX controller. Information about DMX is in the Chauvet DMX Primer, which is available from the Chauvet website [chauvetlighting.com/downloads/DMX\\_Primer\\_rev05\\_WO.pdf](http://chauvetlighting.com/downloads/DMX_Primer_rev05_WO.pdf).

#### Starting Address

The Intimidator Hybrid 251SR uses up to 19 DMX channels in the **19CH** DMX mode, which defines the highest recommended address to **494**.

When selecting a starting DMX address, always consider the number of DMX channels the DMX mode uses. If the starting address is set too high, access to some channels could be restricted.

For information about the DMX protocol, download the DMX Primer from [www.chauvetdj.com](http://www.chauvetdj.com).

To select the starting address, do the following:

1. Press **<MENU>**.
2. Use **<UP>** or **<DOWN>** to select **Address**.
3. Press **<ENTER>**.
4. Use **<UP>** or **<DOWN>** to select the starting address, from **001–512**.
5. Press **<ENTER>**.

#### DMX Personalities

The Intimidator Hybrid 251SR has 2 DMX personalities, a 13-channel personality, and a 19-channel personality.

To select which DMX personality to use, follow the steps below:

1. Press **<MENU>**.
2. Use **<UP>** or **<DOWN>** to select **Run Mode**.
3. Press **<ENTER>**.
4. Use **<UP>** or **<DOWN>** to select **DMX**.
5. Press **<ENTER>**.
6. Use **<UP>** or **<DOWN>** to select the DMX personality, from **19CH** or **13CH**.
7. Press **<ENTER>**.

## DMX Channel Assignments and Values

### DMX Charts

13CH	19CH	Function	Value	Percent/Setting
1	1	Pan	000 ⇔ 255	0–540°
–	2	Fine pan	000 ⇔ 255	Fine control of panning
2	3	Tilt	000 ⇔ 255	0–270°
–	4	Fine tilt	000 ⇔ 255	Fine control of tilting
–	5	Pan/Tilt speed	000 ⇔ 255	Pan/Tilt speed, fast to slow
3	6	Color wheel	000 ⇔ 003	White
			004 ⇔ 007	Red
			008 ⇔ 011	Orange
			012 ⇔ 015	Yellow
			016 ⇔ 019	Green
			020 ⇔ 023	Blue
			024 ⇔ 028	CTO
			029 ⇔ 033	Cyan
			034 ⇔ 038	Magenta
			039 ⇔ 043	Lime green
			044 ⇔ 048	Pink
			049 ⇔ 053	Lavender
			054 ⇔ 059	Ultraviolet
			060 ⇔ 187	Color indexing
			188 ⇔ 219	Color cycling rainbow, fast to slow
220 ⇔ 223	Stop			
224 ⇔ 255	Reverse color cycling rainbow, slow to fast			

13CH	19CH	Function	Value	Percent/Setting
4	7	Static gobo wheel (see <a href="#">Gobo Wheels</a> )	000 ⇔ 002	Open
			003 ⇔ 005	Gobo 1
			006 ⇔ 008	Gobo 2
			009 ⇔ 011	Gobo 3
			012 ⇔ 014	Gobo 4
			015 ⇔ 017	Gobo 5
			018 ⇔ 020	Gobo 6
			021 ⇔ 023	Gobo 7
			024 ⇔ 026	Gobo 8
			027 ⇔ 029	Gobo 9
			030 ⇔ 032	Gobo 10
			033 ⇔ 035	Gobo 11
			036 ⇔ 038	Gobo 12
			039 ⇔ 041	Gobo 13
			040 ⇔ 044	Gobo 14
			045 ⇔ 047	Gobo 15
			048 ⇔ 050	Gobo 16
			051 ⇔ 054	Gobo 16 shake, slow to fast
			055 ⇔ 058	Gobo 15 shake, slow to fast
			059 ⇔ 062	Gobo 14 shake, slow to fast
			063 ⇔ 066	Gobo 13 shake, slow to fast
			067 ⇔ 070	Gobo 12 shake, slow to fast
			071 ⇔ 074	Gobo 11 shake, slow to fast
			075 ⇔ 078	Gobo 10 shake, slow to fast
			079 ⇔ 082	Gobo 9 shake, slow to fast
			083 ⇔ 086	Gobo 8 shake, slow to fast
			087 ⇔ 090	Gobo 7 shake, slow to fast
			091 ⇔ 094	Gobo 6 shake, slow to fast
			095 ⇔ 098	Gobo 5 shake, slow to fast
			099 ⇔ 102	Gobo 4 shake, slow to fast
			103 ⇔ 106	Gobo 3 shake, slow to fast
			107 ⇔ 110	Gobo 2 shake, slow to fast
111 ⇔ 114	Gobo 1 shake, slow to fast			
115 ⇔ 127	Open			
128 ⇔ 189	Cycle effect, fast to slow			
190 ⇔ 193	Stop			
194 ⇔ 255	Reverse cycle effect, slow to fast			

13CH	19CH	Function	Value	Percent/Setting
5	8	Rotating gobo wheel (see <a href="#">Gobo Wheels</a> )	000 ⇔ 005	Open
			006 ⇔ 011	Beam mode
			012 ⇔ 017	Gobo 1
			018 ⇔ 023	Gobo 2
			024 ⇔ 029	Gobo 3
			030 ⇔ 035	Gobo 4
			036 ⇔ 041	Gobo 5
			042 ⇔ 047	Gobo 6
			048 ⇔ 053	Gobo 7
			054 ⇔ 063	Gobo 8
			064 ⇔ 073	Gobo 8 shake, slow to fast
			074 ⇔ 079	Gobo 7 shake, slow to fast
			080 ⇔ 085	Gobo 6 shake, slow to fast
			086 ⇔ 091	Gobo 5 shake, slow to fast
			092 ⇔ 097	Gobo 4 shake, slow to fast
			098 ⇔ 103	Gobo 3 shake, slow to fast
			104 ⇔ 109	Gobo 2 shake, slow to fast
			110 ⇔ 115	Gobo 1 shake, slow to fast
			116 ⇔ 127	Beam mode
128 ⇔ 189	Cycle effect, fast to slow			
190 ⇔ 193	Stop			
194 ⇔ 255	Reverse cycle effect, slow to fast			
6	9	Gobo rotation	000	No function
			001 ⇔ 063	Gobo indexing
			064 ⇔ 145	Rotation, fast to slow
			146 ⇔ 149	Stop
			150 ⇔ 231	Reverse rotation, slow to fast
232 ⇔ 255	Bounce, slow to fast			
7	10	Prism 1	000 ⇔ 007	No function
			008 ⇔ 012	5-facet prism
			013 ⇔ 130	Rotation, slow to fast
			131 ⇔ 247	Reverse rotation, slow to fast
248 ⇔ 255	5-facet prism			
8	11	Prism 2	000 ⇔ 007	No function
			008 ⇔ 012	6-facet prism
			013 ⇔ 130	Rotation, slow to fast
			131 ⇔ 247	Reverse rotation, slow to fast
248 ⇔ 255	6-facet prism			
9	12	Focus	000 ⇔ 255	Focus, big to small
10	13	Auto focus	000 ⇔ 010	No function
			011 ⇔ 126	Auto focus Gobo 1
			127 ⇔ 255	Auto focus Gobo 2
11	14	Zoom	000 ⇔ 255	Zoom out to zoom in
12	15	Frost	000 ⇔ 007	No function
			008 ⇔ 255	Frost, 0–100%
–	16	Dimmer	000 ⇔ 255	0–100%

13CH	19CH	Function	Value	Percent/Setting
13	17	Shutter	000 ⇔ 007	Closed
			008 ⇔ 015	Open
			016 ⇔ 131	Strobe, slow to fast
			132 ⇔ 167	Slow open, fast close, slow to fast
			168 ⇔ 203	Fast open, slow close, slow to fast
			204 ⇔ 239	Pulse strobe, slow to fast
			240 ⇔ 247	Random strobe, slow to fast
			248 ⇔ 255	Open
-	18	Function	000 ⇔ 007	No function
			008 ⇔ 015	Blackout on pan/tilt movement
			016 ⇔ 023	Blackout on color wheel movement
			024 ⇔ 031	Blackout on gobo wheel movement
			032 ⇔ 039	Blackout on pan/tilt/color wheel movement
			040 ⇔ 047	Blackout on pan/tilt/gobo wheel movement
			048 ⇔ 055	Blackout on pan/tilt/color/gobo wheel movement
			056 ⇔ 087	No function
			088 ⇔ 095	Lamp On
			096 ⇔ 103	Pan reset
			104 ⇔ 111	Tilt reset
			112 ⇔ 119	Color wheel reset
			120 ⇔ 127	Gobo wheels reset
			128 ⇔ 135	Frost reset
			136 ⇔ 143	Prism reset
			144 ⇔ 151	Focus and zoom reset
			152 ⇔ 159	All reset
			160 ⇔ 167	Shutter reset
168 ⇔ 231	No function			
232 ⇔ 239	Lamp Off			
240 ⇔ 255	No function			
-	19	Movement macros	000 ⇔ 007	No function
			008 ⇔ 023	Movement macro 1
			024 ⇔ 039	Movement macro 2
			040 ⇔ 055	Movement macro 3
			056 ⇔ 071	Movement macro 4
			072 ⇔ 087	Movement macro 5
			088 ⇔ 103	Movement macro 6
			104 ⇔ 119	Movement macro 7
			120 ⇔ 135	Movement macro 8
			136 ⇔ 151	Sound-active movement macro 1
			152 ⇔ 167	Sound-active movement macro 2
			168 ⇔ 183	Sound-active movement macro 3
			184 ⇔ 199	Sound-active movement macro 4
			200 ⇔ 215	Sound-active movement macro 5
			216 ⇔ 231	Sound-active movement macro 6
			232 ⇔ 247	Sound-active movement macro 7
			248 ⇔ 255	Sound-active movement macro 8

## Standalone Configuration

Set the product in one of the standalone modes to operate without a DMX controller.



**Never connect a product that is operating in any standalone mode to a DMX string connected to a DMX controller. Products in standalone mode may transmit DMX signals that could interfere with the DMX signals from the controller.**

### Auto Mode

To run the Intimidator Hybrid 251SR in auto mode, follow the instructions below:

1. Press **<MENU>**.
2. Use **<UP>** or **<DOWN>** to select **Run Mode**.
3. Press **<ENTER>**.
4. Use **<UP>** or **<DOWN>** to select **Auto**.
5. Press **<ENTER>**.

### Sound-Active Mode

To run the Intimidator Hybrid 251SR in sound-active mode, follow the instructions below:

1. Press **<MENU>**.
2. Use **<UP>** or **<DOWN>** to select **Run Mode**.
3. Press **<ENTER>**.
4. Use **<UP>** or **<DOWN>** to select **Sound**.
5. Press **<ENTER>**.



**The product will only respond to low frequencies of music (bass and drums).**

### Sound Sensitivity

To set the sound sensitivity of the Intimidator Hybrid 251SR, follow the instructions below:

1. Press **<MENU>**.
2. Use **<UP>** or **<DOWN>** to select **Setup**.
3. Press **<ENTER>**.
4. Use **<UP>** or **<DOWN>** to select **Sensitivity**.
5. Press **<ENTER>**.
6. Use **<UP>** or **<DOWN>** to increase or decrease the sensitivity, from **001–100**.
7. Press **<ENTER>**.

### Manual Mode

To run the Intimidator Hybrid 251SR manually through the display menu, follow the instructions below:

1. Press **<MENU>**.
2. Use **<UP>** or **<DOWN>** to select **Run Mode**.
3. Press **<ENTER>**.
4. Use **<UP>** or **<DOWN>** to select **Manual**.
5. Press **<ENTER>**.

### Program Manual Mode Step

To program one of the steps in manual mode, follow the instructions below:

1. Go to [Manual Mode](#).
2. Use **<UP>** or **<DOWN>** to select which step to program, from **Step 1–2**.
3. Press **<ENTER>**.
4. Use **<UP>** or **<DOWN>** to select a value to edit, from **Pan, Tilt, Color, Gobo2, Gobo1, Gobo1 Rotate, Prism1, Prism2, Focus, Zoom, Frost, Dimmer, or Shutter**.
5. Press **<ENTER>**.
6. Use **<UP>** or **<DOWN>** to increase or decrease the selected value from **000–255**.
7. Press **<ENTER>**.

### Clear Manual Mode Step

To set all values in a step to **000**, follow the instructions below:

1. Go to [Manual Mode](#).
2. Use **<UP>** or **<DOWN>** to select which step to clear, from **Step 1–2**.
3. Press **<ENTER>**.
4. Use **<UP>** or **<DOWN>** to select **Clear**.
5. Press **<ENTER>**.
6. Use **<UP>** or **<DOWN>** to select from **NO** (do not clear) or **YES** (clear).
7. Press **<ENTER>**.

### Delete Manual Mode Step

To remove a step from playback, follow the instructions below:

1. Go to [Manual Mode](#).
2. Use **<UP>** or **<DOWN>** to select which step to remove, from **Step 1–2**.
3. Press **<ENTER>**.
4. Use **<UP>** or **<DOWN>** to select **Delete**.
5. Press **<ENTER>**.
6. Use **<UP>** or **<DOWN>** to select from **NO** (do not remove) or **YES** (remove).
7. Press **<ENTER>**.

### Manual Mode Crossfade

To set the time it takes to switch between steps, follow the instructions below:

1. Go to [Manual Mode](#).
2. Use **<UP>** or **<DOWN>** to select **Crossfade (sec)**.
3. Press **<ENTER>**.
4. Use **<UP>** or **<DOWN>** to increase or decrease the cross-fade time in seconds from **0000–1200**.
5. Press **<ENTER>**.

### Manual Mode Hold Time

To set the time either step is active before switching, follow the instructions below:

1. Go to [Manual Mode](#).
2. Use **<UP>** or **<DOWN>** to select **Hold time (sec)**.
3. Press **<ENTER>**.
4. Use **<UP>** or **<DOWN>** to increase or decrease the hold time in seconds from **0001–1200**.
5. Press **<ENTER>**.

## Settings Configuration

### Pan Reverse

To set the pan orientation on the Intimidator Hybrid 251SR, follow the instructions below:

1. Press **<MENU>**.
2. Use **<UP>** or **<DOWN>** to select **Setup**.
3. Press **<ENTER>**.
4. Use **<UP>** or **<DOWN>** to select **Pan Reverse**.
5. Press **<ENTER>**.
6. Use **<UP>** or **<DOWN>** to select **OFF** (normal pan orientation) or **ON** (reverse pan orientation).
7. Press **<ENTER>**.

### Tilt Reverse

To set the tilt orientation on the Intimidator Hybrid 251SR, follow the instructions below:

1. Press **<MENU>**.
2. Use **<UP>** or **<DOWN>** to select **Setup**.
3. Press **<ENTER>**.
4. Use **<UP>** or **<DOWN>** to select **Tilt Reverse**.
5. Press **<ENTER>**.
6. Use **<UP>** or **<DOWN>** to select **OFF** (normal tilt orientation) or **ON** (reverse tilt orientation).
7. Press **<ENTER>**.

### Screen Reverse

To set the display orientation on the Intimidator Hybrid 251SR, follow the instructions below:

1. Press **<MENU>**.
2. Use **<UP>** or **<DOWN>** to select **Setup**.
3. Press **<ENTER>**.
4. Use **<UP>** or **<DOWN>** to select **Screen Reverse**.
5. Press **<ENTER>**.
6. Use **<UP>** or **<DOWN>** to select **AUTO** (auto-detect orientation), **NO** (normal display orientation) or **YES** (reverse display orientation).
7. Press **<ENTER>**.

### Pan Angle

To set the pan angle range on the Intimidator Hybrid 251SR, follow the instructions below:

1. Press **<MENU>**.
2. Use **<UP>** or **<DOWN>** to select **Setup**.
3. Press **<ENTER>**.
4. Use **<UP>** or **<DOWN>** to select **Pan Angle**.
5. Press **<ENTER>**.
6. Use **<UP>** or **<DOWN>** to select from **540** (540°), **360** (360°), or **180** (180°).
7. Press **<ENTER>**.

### Tilt Angle

To set the tilt angle range on the Intimidator Hybrid 251SR, follow the instructions below:

1. Press **<MENU>**.
2. Use **<UP>** or **<DOWN>** to select **Setup**.
3. Press **<ENTER>**.
4. Use **<UP>** or **<DOWN>** to select **Tilt Angle**.
5. Press **<ENTER>**.
6. Use **<UP>** or **<DOWN>** to select from **270** (270°), **180** (180°), or **90** (90°).
7. Press **<ENTER>**.



## Operation

---

### Totem Mode

To activate the Totem mode, follow the instructions below:

1. Press **<MENU>**.
2. Use **<UP>** or **<DOWN>** to select **Setup**.
3. Press **<ENTER>**.
4. Use **<UP>** or **<DOWN>** to select **Totem Mode**.
5. Press **<ENTER>**.
6. Use **<UP>** or **<DOWN>** to select **OFF** (normal range of motion), **UP** (restricts the pan and tilt motion for overhead mounting), or **DOWN** (restricts the pan and tilt motion for surface/floor mounting).
7. Press **<ENTER>**.

### Lamp Settings

#### Manual Lamp Control

To turn the lamp on or off on the Intimidator Hybrid 251SR, follow the instructions below:

1. Press **<MENU>**.
2. Use **<UP>** or **<DOWN>** to select **Setup**.
3. Press **<ENTER>**.
4. Use **<UP>** or **<DOWN>** to select **Lamp Setting**.
5. Press **<ENTER>**.
6. Use **<UP>** or **<DOWN>** to select **On/Off**.
7. Press **<ENTER>**.
8. Use **<UP>** or **<DOWN>** to select **ON** or **OFF**.
9. Press **<ENTER>**.

#### Lamp State at Power On

To define whether the lamp should be on or off when powering on the Intimidator Hybrid 251SR, follow the instructions below:

1. Press **<MENU>**.
2. Use **<UP>** or **<DOWN>** to select **Setup**.
3. Press **<ENTER>**.
4. Use **<UP>** or **<DOWN>** to select **Lamp Setting**.
5. Press **<ENTER>**.
6. Use **<UP>** or **<DOWN>** to select **State/Power On**.
7. Press **<ENTER>**.
8. Use **<UP>** or **<DOWN>** to select **OFF** or **ON**.
9. Press **<ENTER>**.

#### Lamp Control Via DMX

To enable or disable the Intimidator Hybrid 251SR lamp from being controllable through DMX, follow the instructions below:

1. Press **<MENU>**.
2. Use **<UP>** or **<DOWN>** to select **Setup**.
3. Press **<ENTER>**.
4. Use **<UP>** or **<DOWN>** to select **Lamp Setting**.
5. Press **<ENTER>**.
6. Use **<UP>** or **<DOWN>** to select **Off Via DMX**.
7. Press **<ENTER>**.
8. Use **<UP>** or **<DOWN>** to select **NO** or **YES**.
9. Press **<ENTER>**.

### On if DMX is On

To set the Intimidator Hybrid 251SR lamp to be on when a DMX signal is present, follow the instructions below:

1. Press **<MENU>**.
2. Use **<UP>** or **<DOWN>** to select **Setup**.
3. Press **<ENTER>**.
4. Use **<UP>** or **<DOWN>** to select **Lamp Setting**.
5. Press **<ENTER>**.
6. Use **<UP>** or **<DOWN>** to select **On if DMX On**.
7. Press **<ENTER>**.
8. Use **<UP>** or **<DOWN>** to select **NO** or **YES**.
9. Press **<ENTER>**.

### Off if DMX is Off

To set the Intimidator Hybrid 251SR lamp to be off when there is no DMX signal present, follow the instructions below:

1. Press **<MENU>**.
2. Use **<UP>** or **<DOWN>** to select **Setup**.
3. Press **<ENTER>**.
4. Use **<UP>** or **<DOWN>** to select **Lamp Setting**.
5. Press **<ENTER>**.
6. Use **<UP>** or **<DOWN>** to select **Off if DMX Off**.
7. Press **<ENTER>**.
8. Use **<UP>** or **<DOWN>** to select **NO** or **YES**.
9. Press **<ENTER>**.

### Ignition Delay at Power On

To set the amount of time after power on before the Intimidator Hybrid 251SR lamp turns on, follow the instructions below:

1. Press **<MENU>**.
2. Use **<UP>** or **<DOWN>** to select **Setup**.
3. Press **<ENTER>**.
4. Use **<UP>** or **<DOWN>** to select **Lamp Setting**.
5. Press **<ENTER>**.
6. Use **<UP>** or **<DOWN>** to select **Ignition Delay**.
7. Press **<ENTER>**.
8. Use **<UP>** or **<DOWN>** to increase or decrease the delay time, from **000–255** (0 seconds to 255 seconds).
9. Press **<ENTER>**.



**Warning!** When power linking this product, lamp ignitions must be offset to avoid high inrush currents. The ignition delay of the first product in a power linking chain must be set to no less than five seconds. The ignition delay of each subsequent product in the chain must be at least five seconds more than the previous product.

### Low Power Delay with Shutter Closed

To set the amount of time after leaving the shutter closed before the Intimidator Hybrid 251SR lamp enters low power mode, follow the instructions below:

1. Press **<MENU>**.
2. Use **<UP>** or **<DOWN>** to select **Setup**.
3. Press **<ENTER>**.
4. Use **<UP>** or **<DOWN>** to select **Lamp Setting**.
5. Press **<ENTER>**.
6. Use **<UP>** or **<DOWN>** to select **Low Power Delay**.
7. Press **<ENTER>**.
8. Use **<UP>** or **<DOWN>** to increase or decrease the delay time, from **000–255** (0 seconds to 255 seconds).
9. Press **<ENTER>**.

### Reset Lamp Timer

To reset the record of how much time the Intimidator Hybrid 251SR lamp has spent powered on, follow the instructions below:

1. Press **<MENU>**.
2. Use **<UP>** or **<DOWN>** to select **Setup**.
3. Press **<ENTER>**.
4. Use **<UP>** or **<DOWN>** to select **Lamp Setting**.
5. Press **<ENTER>**.
6. Use **<UP>** or **<DOWN>** to select **Reset Lamp Time**.
7. Press **<ENTER>**.
8. Use **<UP>** or **<DOWN>** to select **NO** or **YES**.
9. Press **<ENTER>**.

### Maintenance Timer

#### Maintenance Timer Interval

To define the length of the maintenance cycle on the Intimidator Hybrid 251SR, follow the instructions below:

1. Press **<MENU>**.
2. Use **<UP>** or **<DOWN>** to select **Setup**.
3. Press **<ENTER>**.
4. Use **<UP>** or **<DOWN>** to select **Special Set**.
5. Press **<ENTER>**.
6. Use **<UP>** or **<DOWN>** to select **Interval**.
7. Press **<ENTER>**.
8. Use **<UP>** or **<DOWN>** to increase or decrease the time, from **10–250** (10 hours to 250 hours).
9. Press **<ENTER>**.

#### Reset Maintenance Timer

To reset the Intimidator Hybrid 251SR maintenance timer, follow the instructions below:

1. Press **<MENU>**.
2. Use **<UP>** or **<DOWN>** to select **Setup**.
3. Press **<ENTER>**.
4. Use **<UP>** or **<DOWN>** to select **Special Set**.
5. Press **<ENTER>**.
6. Use **<UP>** or **<DOWN>** to select **Remain Time**.
7. Press **<ENTER>**.
8. Use **<UP>** or **<DOWN>** to select **NO** or **RESET**.
9. Press **<ENTER>**.

### DMX Loss

To set the action the Intimidator Hybrid 251SR will do when signal is lost, follow the instructions below:

1. Press **<MENU>**.
2. Use **<UP>** or **<DOWN>** to select **Setup**.
3. Press **<ENTER>**.
4. Use **<UP>** or **<DOWN>** to select **DMX Loss**.
5. Press **<ENTER>**.
6. Use **<UP>** or **<DOWN>** to select **Hold** (holds the last setting), **Black** (blacks out the product), **Auto** (sets the unit to auto mode), or **Sound** (sets the unit to sound mode).
7. Press **<ENTER>**.

### Indicator

To enable or disable the LED indicator, follow the instructions below:

1. Press **<MENU>**.
2. Use **<UP>** or **<DOWN>** to select **Setup**.
3. Press **<ENTER>**.
4. Use **<UP>** or **<DOWN>** to select **Indicator**.
5. Press **<ENTER>**.
6. Use **<UP>** or **<DOWN>** to select **OFF** (disabled) or **ON** (enabled).
7. Press **<ENTER>**.

## Flash if DMX

To set the when the LED indicator flashes, follow the instructions below:

1. Press **<MENU>**.
2. Use **<UP>** or **<DOWN>** to select **Setup**.
3. Press **<ENTER>**.
4. Use **<UP>** or **<DOWN>** to select **Flash if DMX**.
5. Press **<ENTER>**.
6. Use **<UP>** or **<DOWN>** to select **ON** (LED flashing indicates there is a DMX signal) or **OFF** (LED flashing indicates there is no DMX signal).
7. Press **<ENTER>**.

## USB Update

To enable or disable the USB update function, follow the instructions below:

1. Press **<MENU>**.
2. Use **<UP>** or **<DOWN>** to select **Setup**.
3. Press **<ENTER>**.
4. Use **<UP>** or **<DOWN>** to select **USB Update**.
5. Press **<ENTER>**.
6. Use **<UP>** or **<DOWN>** to select **NO** (disabled) or **YES** (enabled).
7. Press **<ENTER>**.

## Reset

To reset all functions on the Intimidator Hybrid 251SR, follow the instructions below:

1. Press **<MENU>**.
2. Use **<UP>** or **<DOWN>** to select **Setup**.
3. Press **<ENTER>**.
4. Use **<UP>** or **<DOWN>** to select **Reset**.
5. Press **<ENTER>**.

## Factory Reset

To restore the Intimidator Hybrid 251SR to factory default settings, follow the instructions below:

1. Press **<MENU>**.
2. Use **<UP>** or **<DOWN>** to select **Setup**.
3. Press **<ENTER>**.
4. Use **<UP>** or **<DOWN>** to select **Factory Set**.
5. Press **<ENTER>**.

## System Information

To view the system information on the Intimidator Hybrid 251SR, follow the instructions below:

1. Press **<MENU>**.
2. Use **<UP>** or **<DOWN>** to select **Sys Info**.
3. Press **<ENTER>**.
4. Use **<UP>** or **<DOWN>** to see all data.

## Master/Slave Mode

The Master/Slave mode allows a single Intimidator Hybrid 251SR product (the “master”) to control the actions of one or more Intimidator Hybrid 251SR products (the “slaves”) without the need of a DMX controller. The master product will be set to operate in standalone mode, while the slave products will be set to operate in slave mode. Once set and connected, the slave products will operate in unison with the master product.

Configure the products as indicated below.

### Slave products:

1. Press **<MENU>**.
2. Use **<UP>** or **<DOWN>** to select **Run Mode**.
3. Press **<ENTER>**.
4. Use **<UP>** or **<DOWN>** to select **Slave**.
5. Press **<ENTER>**.
6. Use **<UP>** or **<DOWN>** to select from **Slave1**, **Slave2**, **Slave3**, or **Slave4**.
  - Select **Slave1** for 100% synchronized actions.
  - Select **Slave2**, **Slave3**, and/or **Slave4** for delayed actions, creating a wave effect.
7. Press **<ENTER>**.
8. Connect the DMX input of the first slave product to the DMX output of the master product.
9. Connect the DMX input of the subsequent slave products to the DMX output of the previous slave product.
10. Finish setting and connecting all the slave products.

### Master product:

1. Set the master product to operate in standalone mode.
2. Make the master product the first product in the DMX daisy chain.



- **Configure all the slave products before connecting the master to the daisy chain.**
- **Never connect a DMX controller to a DMX string configured for Master/Slave operation because the controller may interfere with the signals from the master.**
- **Do not connect more than 31 slaves to the master.**

## RFC-XL Remote Control

The Intimidator Hybrid 251SR can be operated with an RFC-XL remote (sold separately).



**For more information about using an RFC-XL remote, download the user manuals from [www.chauvetdj.com](http://www.chauvetdj.com)**

## RFC-XL Remote Binding

To enable RF control, the product must bind to the RFC-XL. To bind the Intimidator Hybrid 251SR to an RFC-XL, follow the instructions below:

1. Press **<MENU>** repeatedly until **Setup** shows on the display.
2. Press **<ENTER>**.
3. Use **<UP>** or **<DOWN>** to select **RF**.
4. Press **<ENTER>**.
5. **Bind** will show on the display. Press **<ENTER>**.
6. Press and hold **<BLACK OUT>** on the RFC-XL for 5 seconds to link the fixture to that remote.

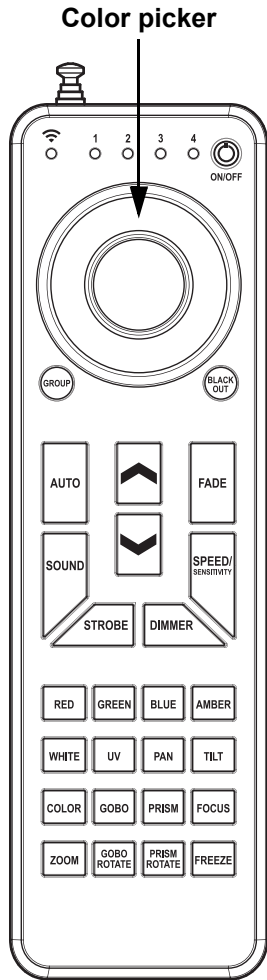
## RFC-XL Control Options

The RFC-XL can control multiple products at once, whether in defined groups or in public mode. To set the Intimidator Hybrid 251SR to public RFC-XL control or to an RFC-XL group:

1. Bind the
2. Press **<MENU>** repeatedly until
3. Use **<UP>** or **<DOWN>** to select **Run Mode**.
4. Press **<ENTER>**.
5. Use **<UP>** or **<DOWN>** to select **RF**.
6. Press **<ENTER>**.
7. Use **<UP>** or **<DOWN>** to select to control mode, from **RF 1–4** (group 1–4) or **RFP** (public mode).
8. Press **<ENTER>**.

### RFC-XL Remote Control Operation

RFC	Button	Function
	<ON/OFF>	Press to power the RFC-XL on or off
	Color picker	Use to select a color (does not correspond to colors printed on remote)
	<GROUP>	Press to cycle between groups 1–4 and public mode
	<BLACK OUT>	Press to turn off all lights until the button is pressed again
	<AUTO>	Press to activate automatic mode, then use <^> or <v> to select a program from <b>00–10</b>
	<SOUND>	Press to activate sound-active mode
	<SPEED/ SENSITIVITY>	Press then use <^> or <v> to increase or decrease speed or sensitivity
	<^>	Press to increase the selected value, or to scroll up the list of options
	<v>	Press to decrease the selected value, or to scroll down the list of options
	<STROBE>	Press to toggle strobe, then use <^> or <v> to increase or decrease strobe speed from <b>00–20</b>
	<DIMMER>	Press then use <^> or <v> to increase or decrease the dimmer
	<RED>	Press then use <^> or <v> to increase or decrease the color cycling rainbow speed
	<GREEN>	Press then use <^> or <v> to increase or decrease the gobo cycle speed. Press again to toggle gobo wheels
	<BLUE>	Press to select toggle auto gobo change
	<AMBER>	Press to toggle pan and tilt then use <^> or <v> to increase or decrease the selected value
	<WHITE>	Press then use <^> or <v> to increase or decrease the UV value
	<UV>	Press then use <^> or <v> to increase or decrease the focus and zoom values together
	<PAN>	Press then use <^> or <v> to increase or decrease the pan value
	<TILT>	Press then use <^> or <v> to increase or decrease the tilt value
	<COLOR>	Press to cycle through colors <b>000–012</b>
	<GOBO>	Press to cycle through static gobos <b>000–017</b> then rotating gobos <b>018–028</b> including open and beam modes
	<PRISM>	Press to select a prism then use <^> or <v> to increase or decrease the selected prism value
	<FOCUS>	Press then use <^> or <v> to increase or decrease the focus value
	<ZOOM>	Press then use <^> or <v> to increase or decrease the zoom value
	<GOBO ROTATE>	Press then use <^> or <v> to increase or decrease the gobo rotation value
	<FREEZE>	Press to stop all movement and color chasing



The RFC-XL remote will not respond to any inputs when Black Out is activated. If the remote does not respond when a button is pressed, try pressing <BLACK OUT>. You may have inadvertently activated Black Out.

## Operation

### Zero Adjust Mode

The Intimidator Hybrid 251SR contains a passcode protected mode which allows the user to calibrate and adjust several of the product's operating parameters.

In order to access this mode, do the following:

1. Press and hold **<MENU>** for at least 3 seconds.
2. Use **<UP>** (increases the selected value) and **<DOWN>** (selects the next value) to enter the passcode: **2323**.
3. Press **<ENTER>**.

In this mode, the zero positions and levels for the following can be adjusted:

Parameter	Function
<b>PAN</b>	Pan motor position
<b>TILT</b>	Tilt motor position
<b>COLOR</b>	Color wheel position
<b>GOBO2</b>	Static gobo wheel position
<b>GOBO1</b>	Rotating gobo wheel position
<b>GOBO1 ROTATE</b>	Gobo rotation position
<b>PRISM1</b>	5-facet prism position
<b>PRISM2</b>	6-facet prism position
<b>FOCUS-GOBO1</b>	Focus position for rotating gobo
<b>FOCUS-GOBO2</b>	Focus position for static gobo
<b>ZOOM</b>	Zoom position
<b>FROST</b>	Frost position
<b>SHUTTER</b>	Shutter position

To adjust the zero position or level of one of these parameters, follow the instructions below:

1. Access the Zero Adjust mode.
2. Use **<UP>** or **<DOWN>** to select the parameter to be adjusted.
3. Press **<ENTER>**.
4. Use **<UP>** or **<DOWN>** to increase or decrease the selected value, from **000–255**.
5. Press **<ENTER>**.

## 5. Maintenance

### Product Maintenance

Dust build-up reduces light output performance and can cause overheating. This can lead to reduction of the light source's life and/or mechanical wear. To maintain optimum performance and minimize wear, clean all lighting products at least twice a month. However, be aware that usage and environmental conditions could be contributing factors to increase the cleaning frequency.

To clean the product, follow the instructions below:

1. Unplug the product from power.
2. Wait until the product is at room temperature.
3. Use a vacuum (or dry compressed air) and a soft brush to remove dust collected on the external surface/vents.
4. Clean all transparent surfaces with a mild soap solution, ammonia-free glass cleaner, or isopropyl alcohol.
5. Apply the solution directly to a soft, lint free cotton cloth or a lens cleaning tissue.
6. Softly drag any dirt or grime to the outside of the transparent surface.
7. Gently polish the transparent surfaces until they are free of haze and lint.



**Always dry the transparent surfaces carefully after cleaning them.**



**Do not spin the cooling fans using compressed air because they could be damaged.**

### Gobo Maintenance

To ensure optimal operation, 1) inspect and 2) clean gobos every four months. More frequent maintenance may be necessary if usage is higher.

To inspect, remove each gobo holder and check if:

- the holders are clean (free of dirt, grime, or gunk).
- the gobos are properly installed in the holders.
- all the bearings are in place.
- the holders are rotating freely.

To clean the gobos and the gobo holder, follow the instructions below:

1. Remove the gobos from the holder.
2. Clean the gobos with a soft, lint-free cotton cloth. Use an ammonia-free glass cleaner sprayed to a piece of lint-free cotton cloth to clean glass gobos.
3. Submerge the gobo holder (without the gobo installed) in a container with a liquid lubricant (i.e., WD40) and let it rest for a couple of minutes.
4. Shake the container with the gobo holder inside to help release/loosen any gunk/grime/dirt.
5. Take the gobo holder out of the container and clean it using a small nylon brush.
6. Wipe off all the lubricant from the gobo holder using a piece of lint-free cotton cloth.
7. Apply a small coat of synthetic oil (i.e., Liquid Bearings) to the bearings and rotate it thoroughly in both directions (needle tip applicator recommended). Make sure the gobo holder is rotating freely and is not making any abnormal noise.
8. Reinstall the gobos in the gobo holder. Make sure the gobos are in the correct positions.
9. Reinstall the gobo holder in the unit.



## 6. Technical Specifications

### Dimensions and Weight

Length	Width	Height	Weight
12.6 in (322 mm)	8.6 in (220 mm)	21.6 in (549 mm)	35.6 lb (16.1 kg)

**Note:** Dimensions in inches are rounded.

### Power

Power Supply Type	Range	Voltage Selection
Switching (internal)	100 to 240 VAC, 50/60 Hz	Auto-ranging

Parameter	120 V, 60 Hz	230 V, 50 Hz
Consumption	358 W	344 W
Operating Current	3.6 A	2.3 A
Power linking current (products)	12 A (3 products)	12 (5 products)
Fuse	T6.3 A, 250 V	T6.3 A, 250 V

Power I/O	U.S./Worldwide	UK/Europe
Power input connector	powerCON-compatible	powerCON-compatible
Power output connector	powerCON-compatible	powerCON-compatible
Power cable plug	Edison (U.S.)	Local Plug

### Light Source

Type	Power	Lifespan
Osram SIRIUS HRI® discharge lamp	251 W	3,000 hours

### Photometrics

Strobe Rate	Mode	Zoom Angle	Illuminance @ 5 m
0 to 20 Hz	Beam mode	1° to 3°	500,411 lux
	Spot mode	12° to 23°	376,927 lux
	Wash mode	7° to 19°	8,038 lux

### Thermal

Maximum External Temperature	Cooling System
104 °F (40 °C)	Convection

### DMX

I/O Connector	Channel Range
3- and 5-pin XLR	13 or 19

### Ordering

Product Name	Item Code	UPC Number
Intimidator Hybrid 251SR	08012335	781462226831



## Contact Us

General Information	Technical Support
<b>Chauvet World Headquarters</b>	
Address: 3360 Davie Rd., Suite 509 Davie, FL 33314 Voice: (954) 577-4455 Fax: (954) 929-5560 Toll Free: (800) 762-1084	Voice: (844) 393-7575 Fax: (954) 756-8015 Email: <a href="mailto:chauvetcs@chauvetlighting.com">chauvetcs@chauvetlighting.com</a>  Website: <a href="http://www.chauvetdj.com">www.chauvetdj.com</a>
<b>Chauvet U.K.</b>	
Address: Pod 1 EVO Park Little Oak Drive, Sherwood Park Nottinghamshire, NG15 0EB UK Voice: +44 (0) 1773 511115 Fax: +44 (0) 1773 511110	Email: <a href="mailto:UKtech@chauvetlighting.eu">UKtech@chauvetlighting.eu</a>  Website: <a href="http://www.chauvetdj.eu">www.chauvetdj.eu</a>
<b>Chauvet Benelux</b>	
Address: Stokstraat 18 9770 Kruishoutem Belgium Voice: +32 9 388 93 97	Email: <a href="mailto:BNLtech@chauvetlighting.eu">BNLtech@chauvetlighting.eu</a>  Website: <a href="http://www.chauvetdj.eu">www.chauvetdj.eu</a>
<b>Chauvet France</b>	
Address: 3, Rue Ampère 91380 Chilly-Mazarin France Voice: +33 1 78 85 33 59	Email: <a href="mailto:FRtech@chauvetlighting.fr">FRtech@chauvetlighting.fr</a>  Website: <a href="http://www.chauvetdj.eu">www.chauvetdj.eu</a>
<b>Chauvet Germany</b>	
Address: Bruno-Bürgel-Str. 11 28759 Bremen Germany Voice: +49 421 62 60 20	Email: <a href="mailto:DEtech@chauvetlighting.de">DEtech@chauvetlighting.de</a>  Website: <a href="http://www.chauvetdj.eu">www.chauvetdj.eu</a>
<b>Chauvet Mexico</b>	
Address: Av. de las Partidas 34 - 3B (Entrance by Calle 2) Zona Industrial Lerma Lerma, Edo. de México, CP 52000 Voice: +52 (728) 690-2010	Email: <a href="mailto:servicio@chauvet.com.mx">servicio@chauvet.com.mx</a>  Website: <a href="http://www.chauvetdj.mx">www.chauvetdj.mx</a>

## Warranty & Returns

For warranty terms and conditions and return information, please visit our website.

For customers in the United States and Mexico: [www.chauvetlighting.com/warranty-registration](http://www.chauvetlighting.com/warranty-registration).

For customers in the United Kingdom, Republic of Ireland, Belgium, the Netherlands, Luxembourg, France, and Germany: [www.chauvetlighting.eu/warranty-registration](http://www.chauvetlighting.eu/warranty-registration).